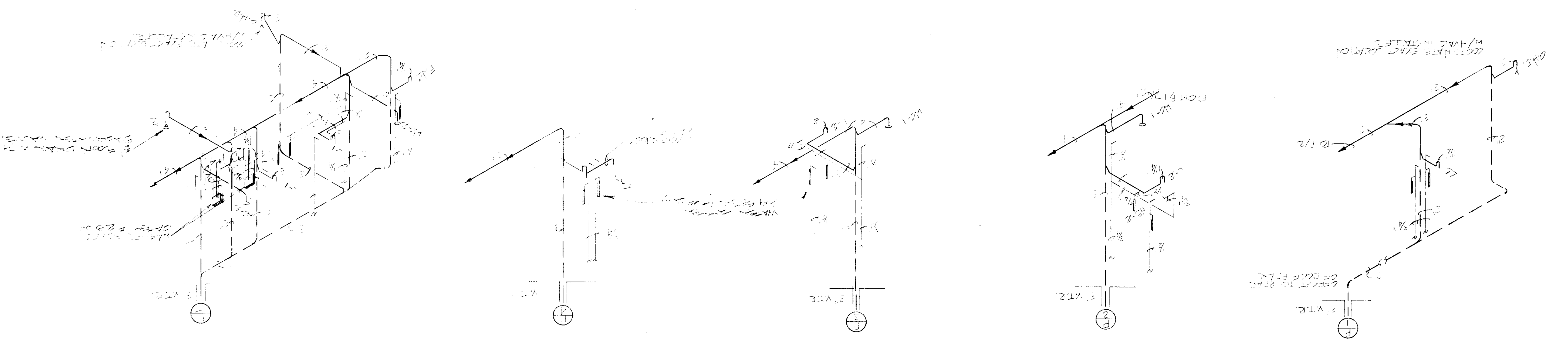


CONTRACTOR SHALL BE RESPONSIBLE FOR VERIFYING ALL EXISTING CONDITIONS AND DIMENSIONS BEFORE COMMENCING WORK AND SHALL REPORT ANY DISCREPANCIES TO ARCHITECT



OFFICE / LAUNDRY / MAINTENANCE / COMMUNITY BUILDING PLUMBING PLAN

