

Engberg Anderson Design Partnership, Inc.
MILWAUKEE • MADISON

AMERICAN DENTAL PARTNERS- METAIRIE

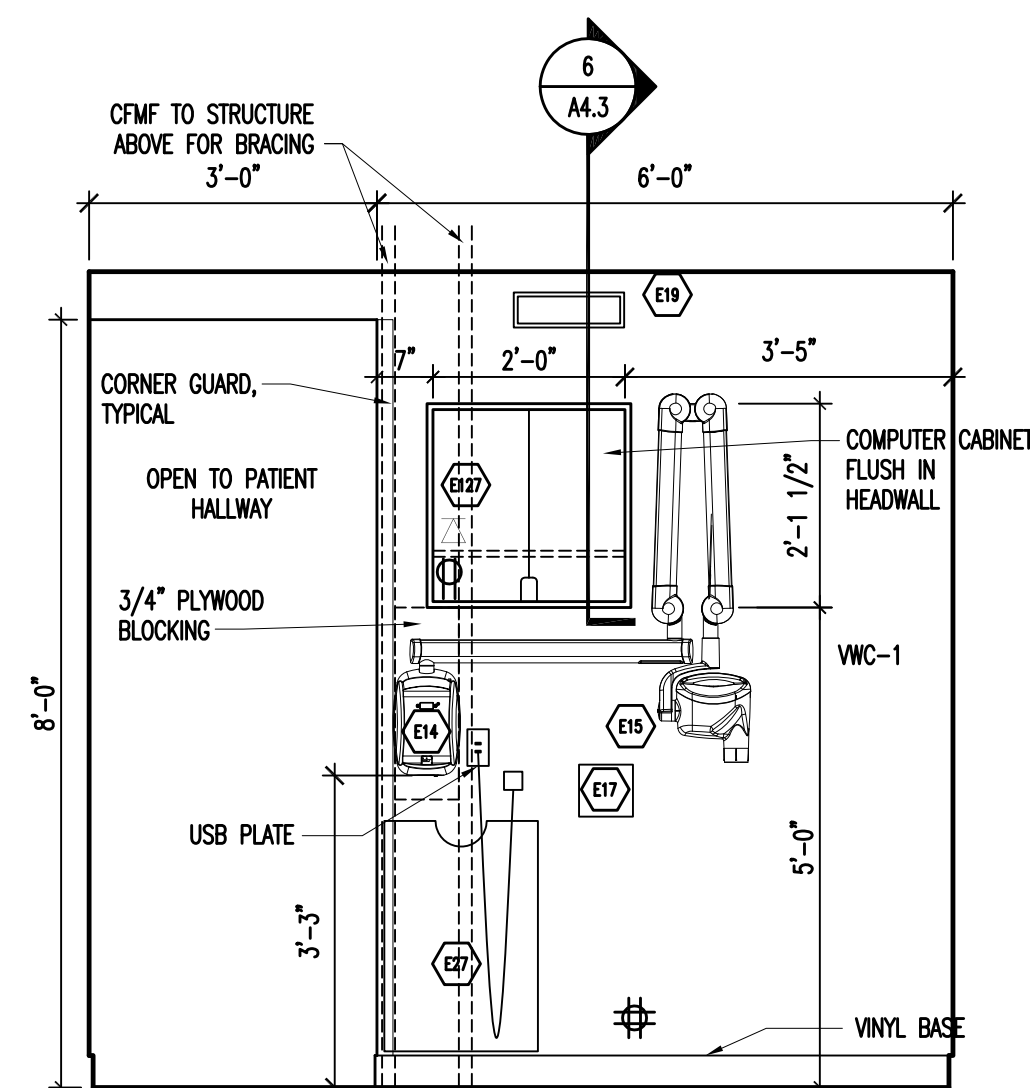
2400 VETERANS BOULEVARD SUITE 210
KENNER, LOUISIANA

Owner
American Dental Partners, Inc.
3000 W. Esplanade Ave. Suite 200
Metairie, LA 70002

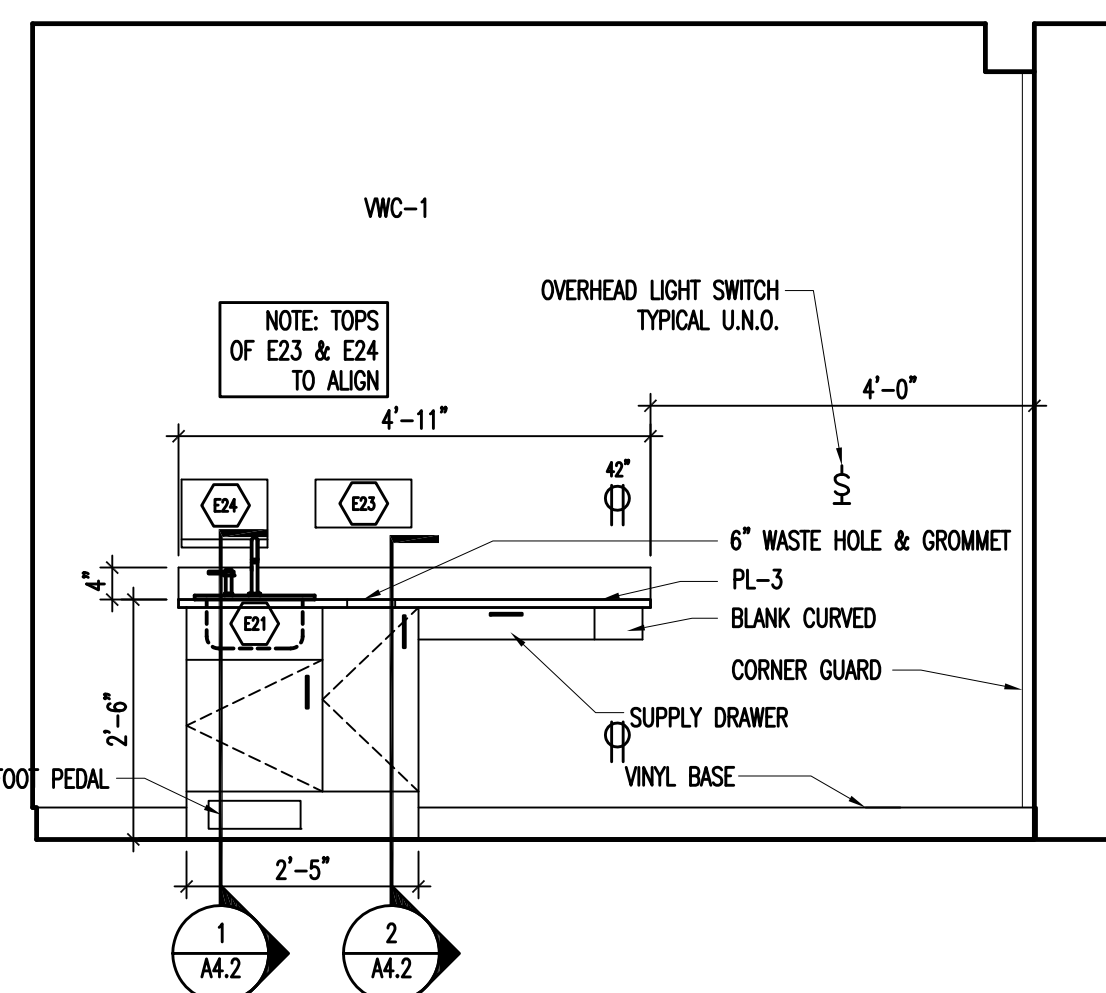
Project No 071750

Issued For:

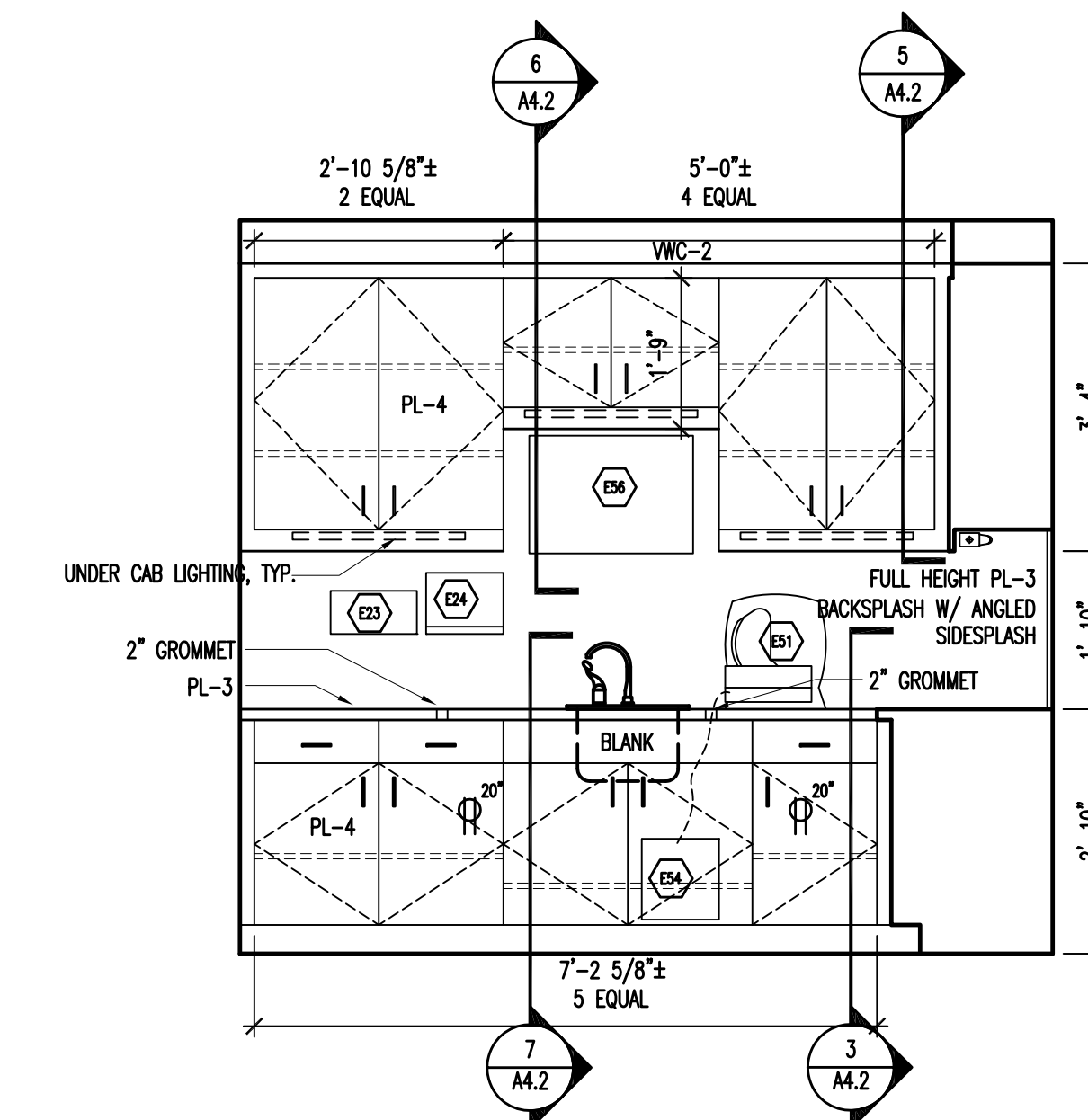
| No. | Description | Date |
|-----|----------------|----------|
| 01 | ISSUED FOR BID | 10-17-07 |



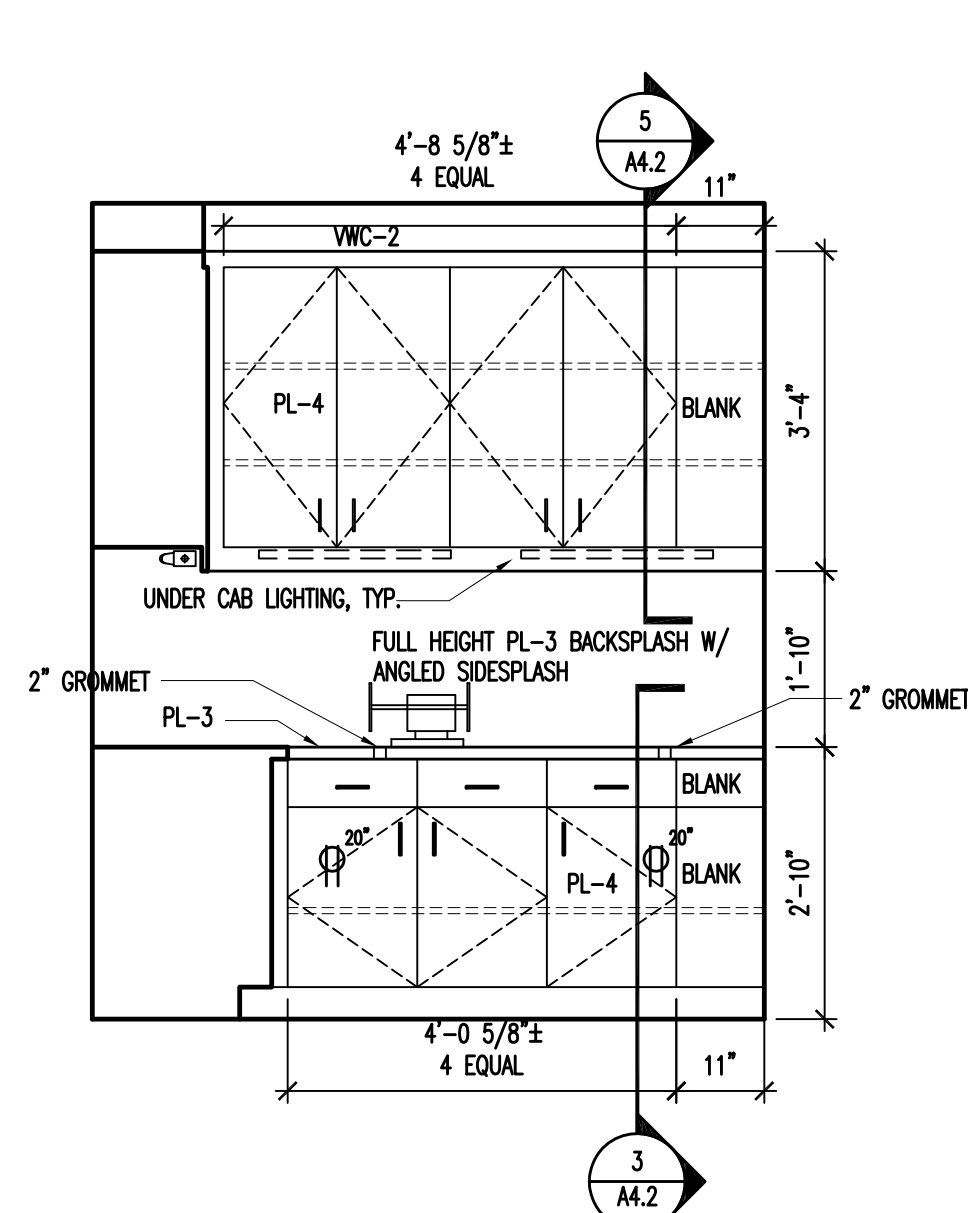
1 Hygiene Room Typ. Headwall
SCALE: 1/2"=1'-0"



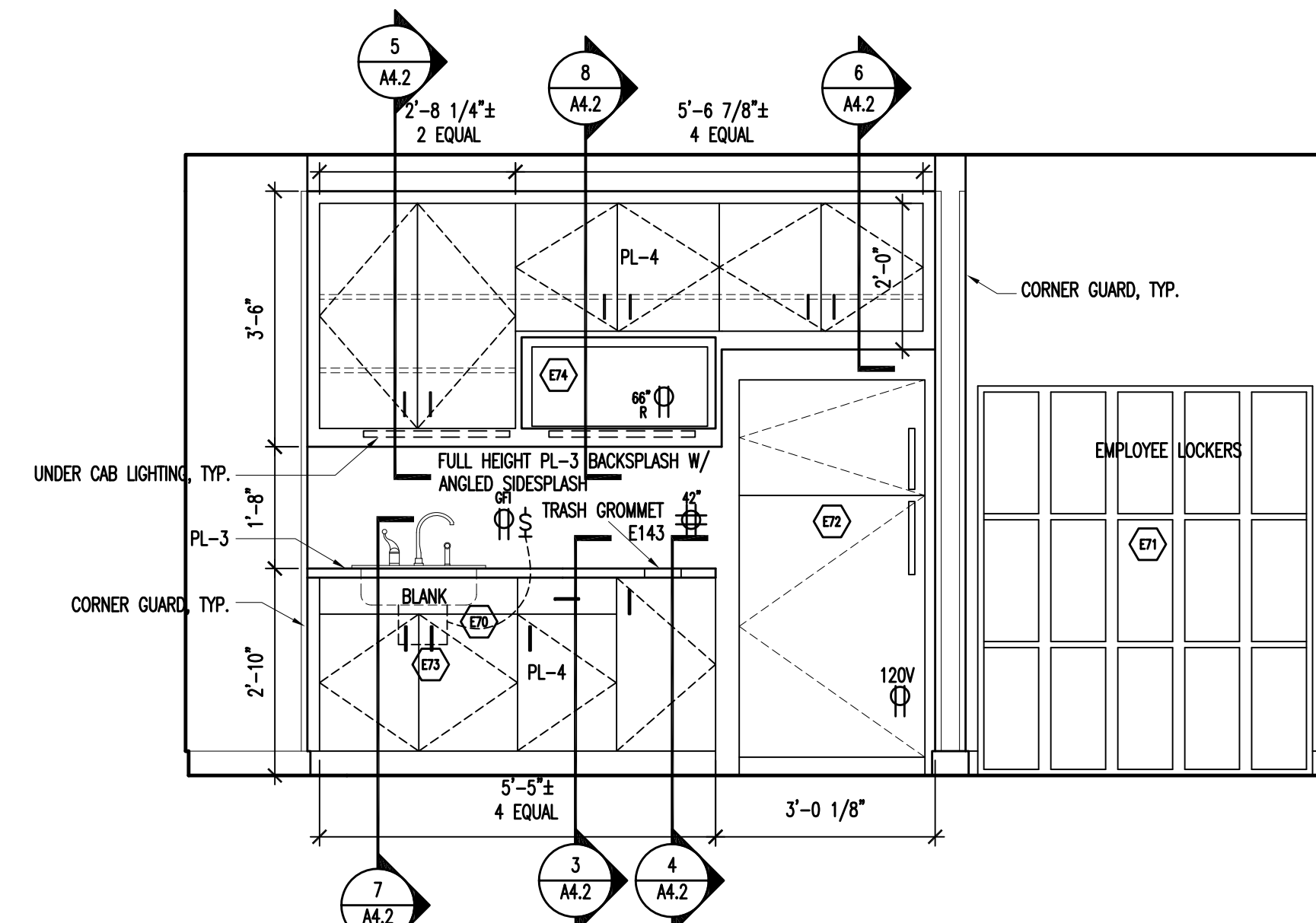
2 Hygiene Room Typ. (Right)
SCALE: 1/2"=1'-0"



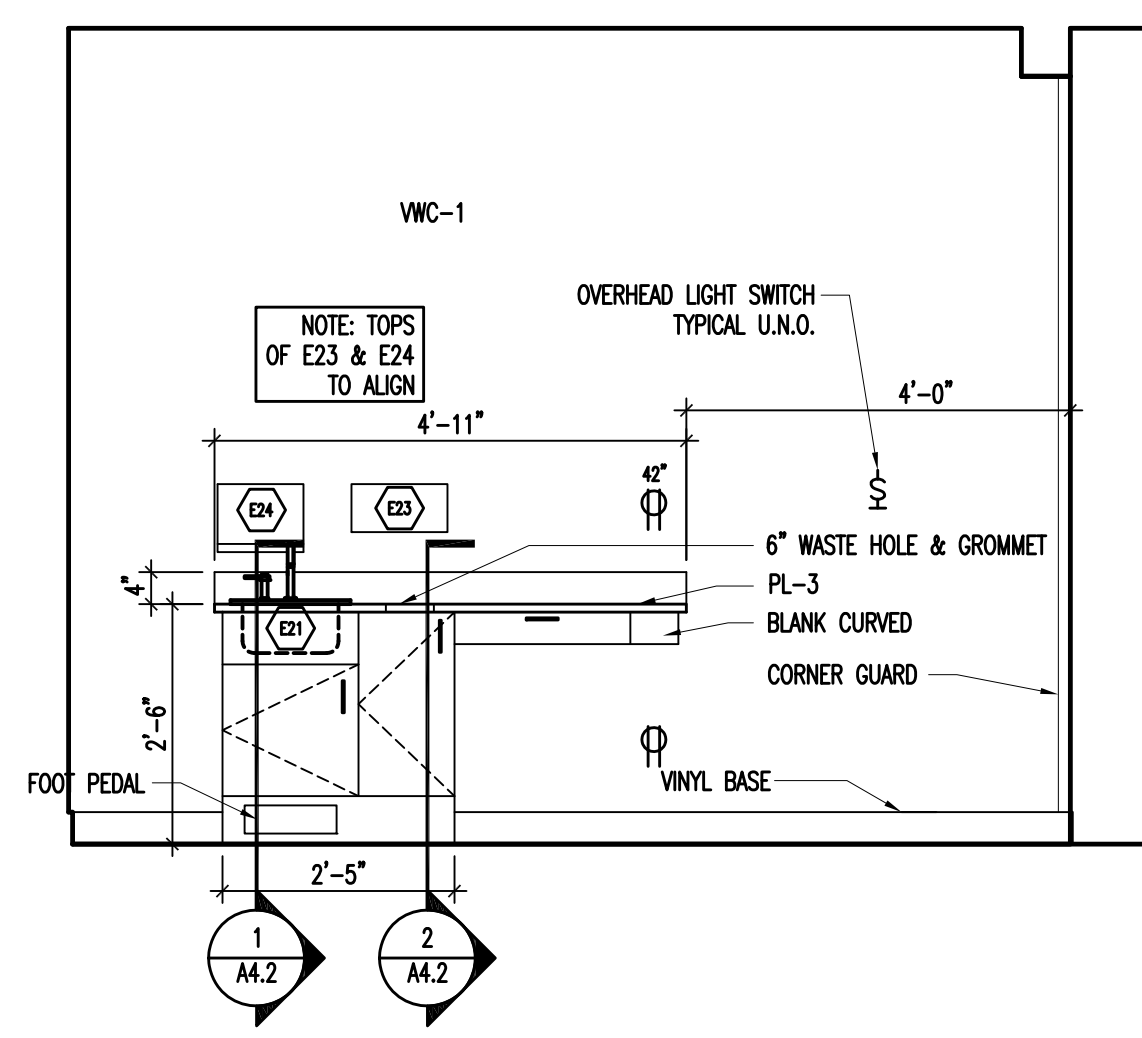
3 Lab
SCALE: 1/2"=1'-0"



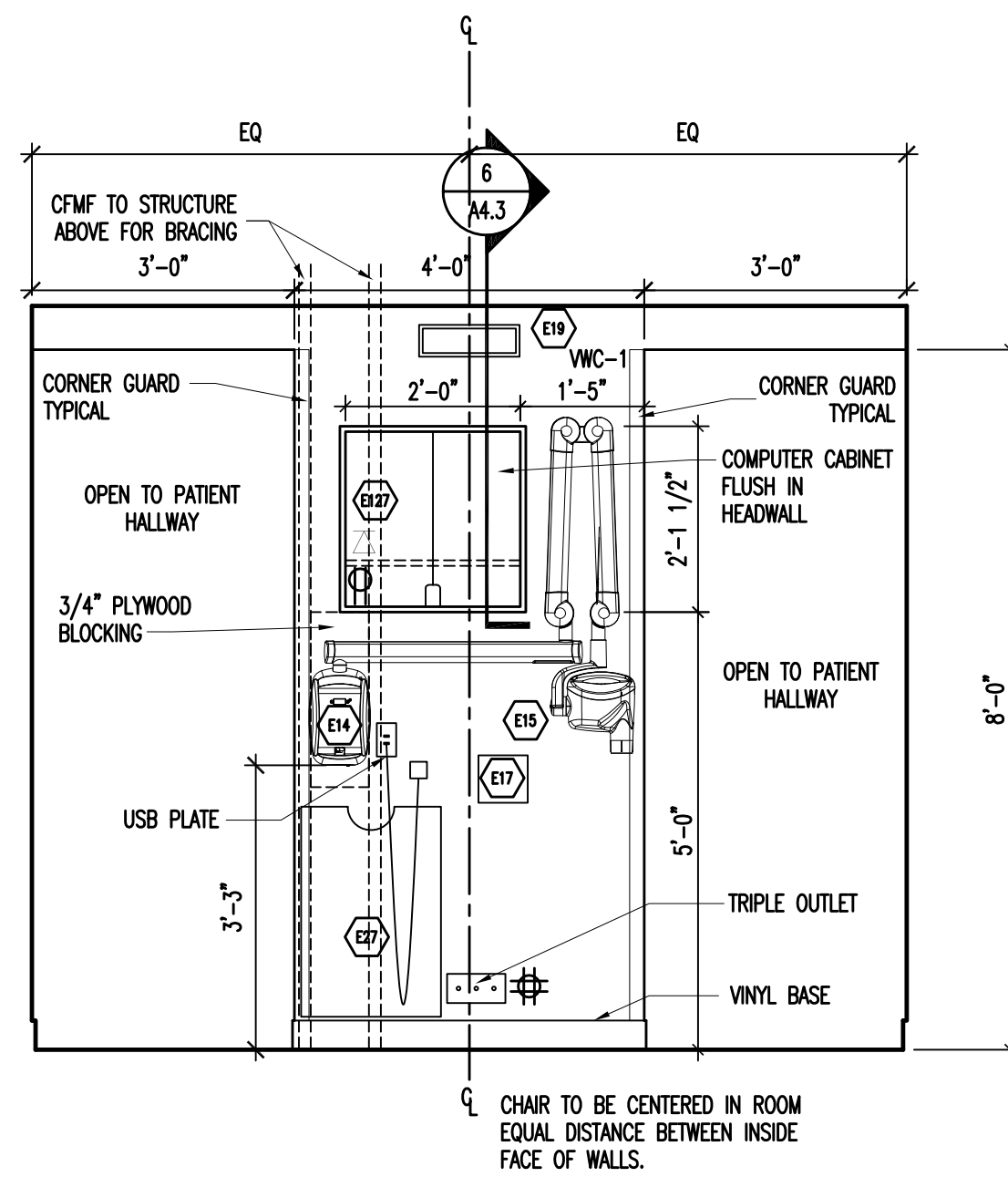
4 Lab
SCALE: 1/2"=1'-0"



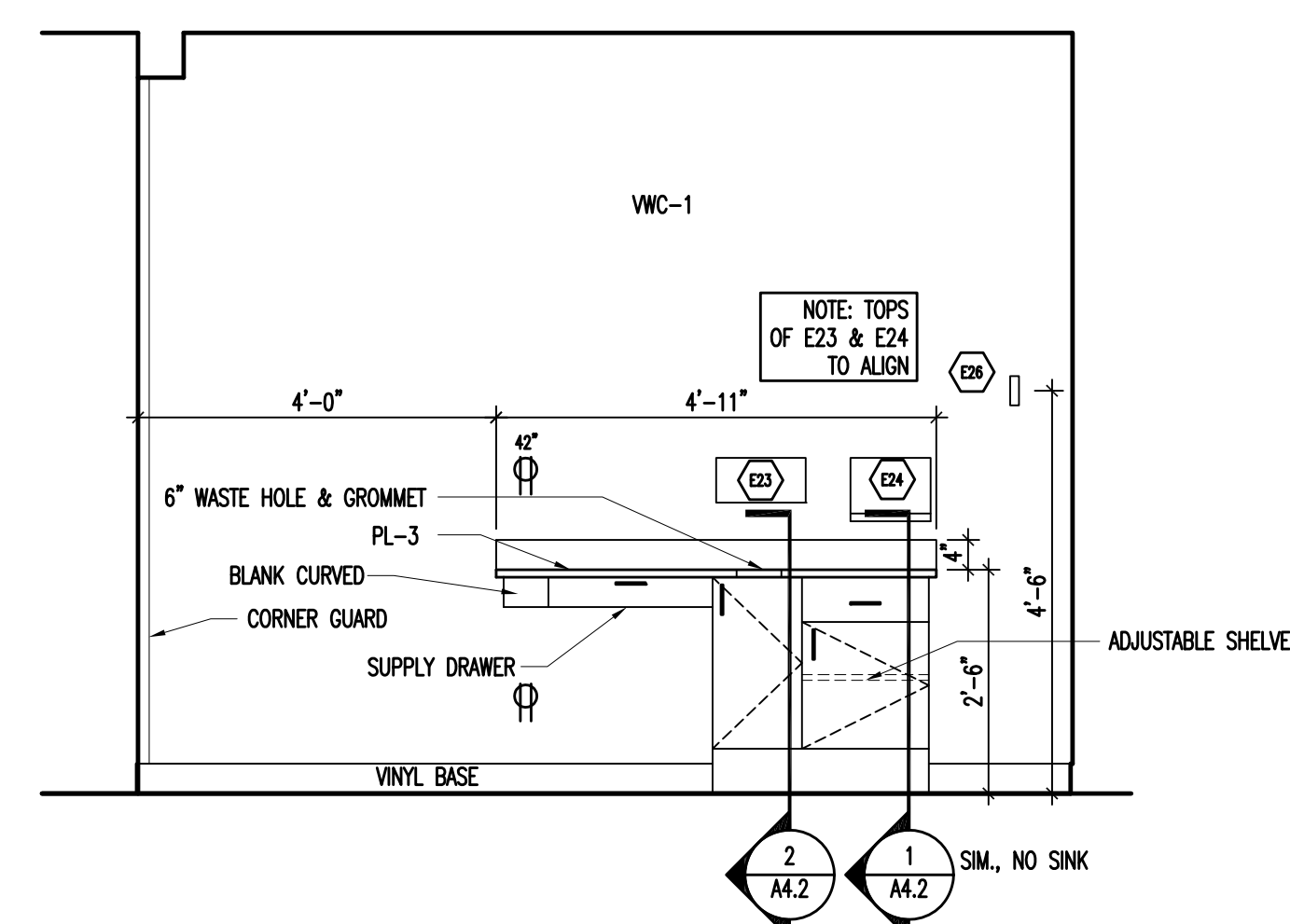
5 Staff Room Counter
SCALE: 1/2"=1'-0"



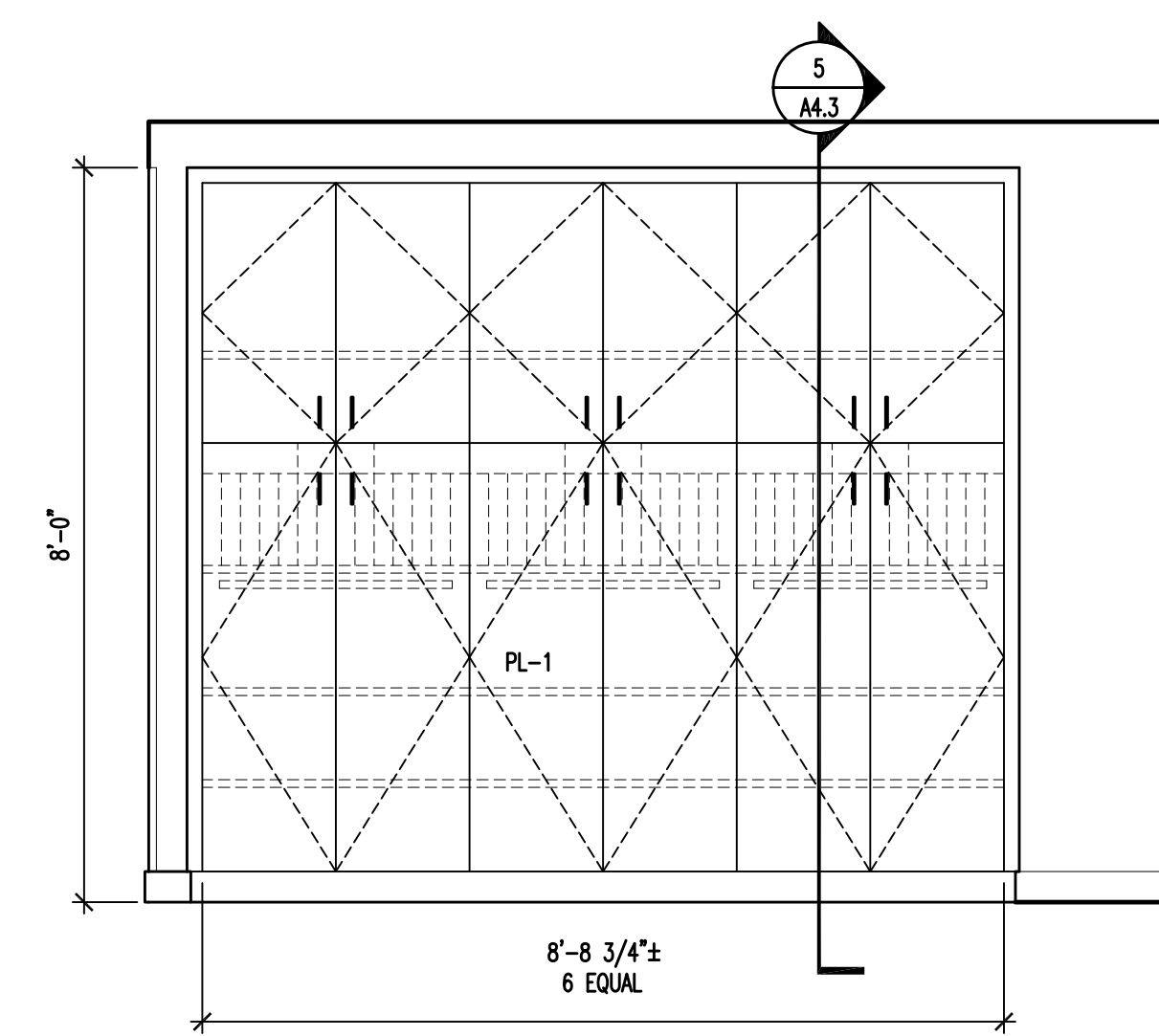
6 Treatment Room Typ. (Right)
SCALE: 1/2"=1'-0"



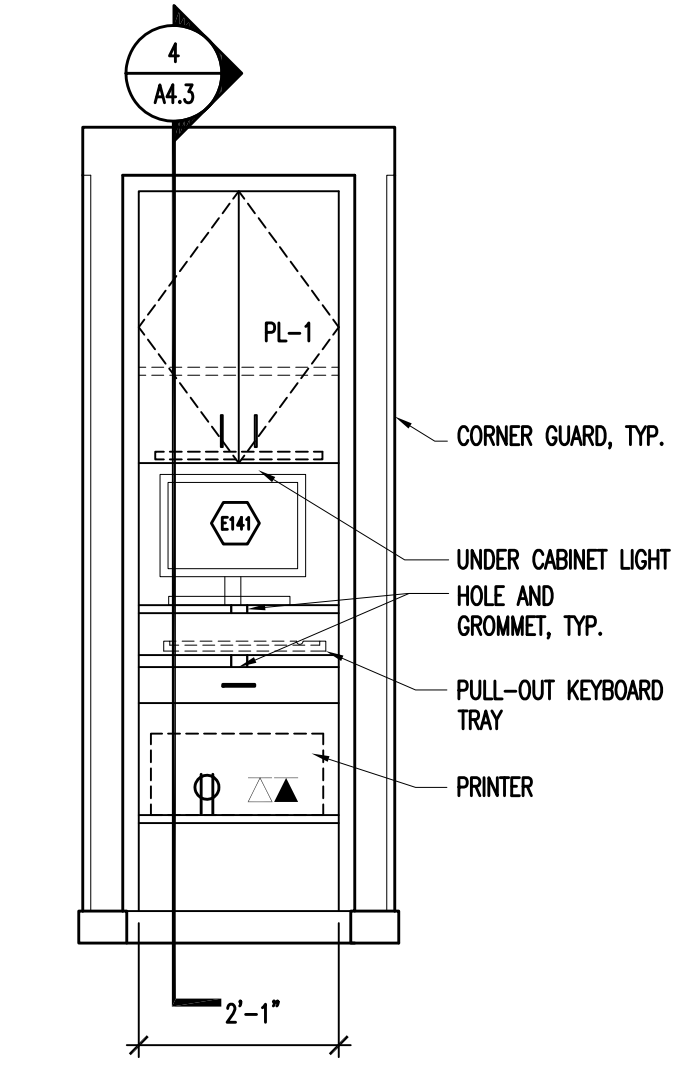
7 Treatment Room Typ. Headwall
SCALE: 1/2"=1'-0"



8 Treatment Room Typ. (Left)
SCALE: 1/2"=1'-0"



9 Patient Hallway Closets Typical
SCALE: 1/2"=1'-0"



10 Scheduling Station
SCALE: 1/2"=1'-0"

Drawn by RAF
Checked by TAS
File 1750 A3-2.dwg

Interior Elevations

A3.2