



Engberg Anderson Design Partnership, Inc.  
MILWAUKEE • MADISON

## AMERICAN DENTAL PARTNERS- METAIRIE

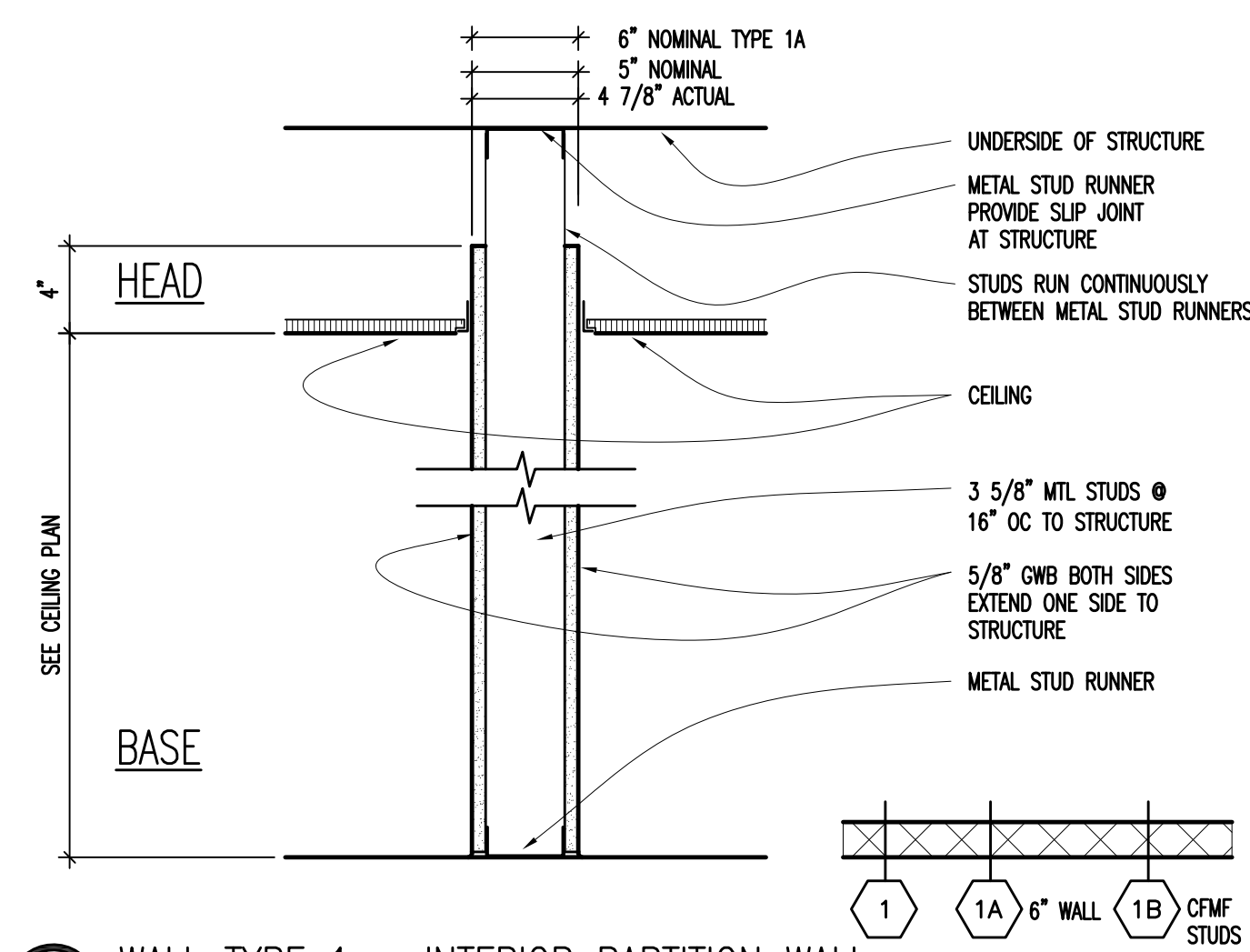
2400 VETERANS BOULEVARD SUITE 210  
KENNER, LOUISIANA

**Owner**  
American Dental Partners, Inc.  
3000 W. Esplanade Ave. Suite 200  
Metairie, LA 70002

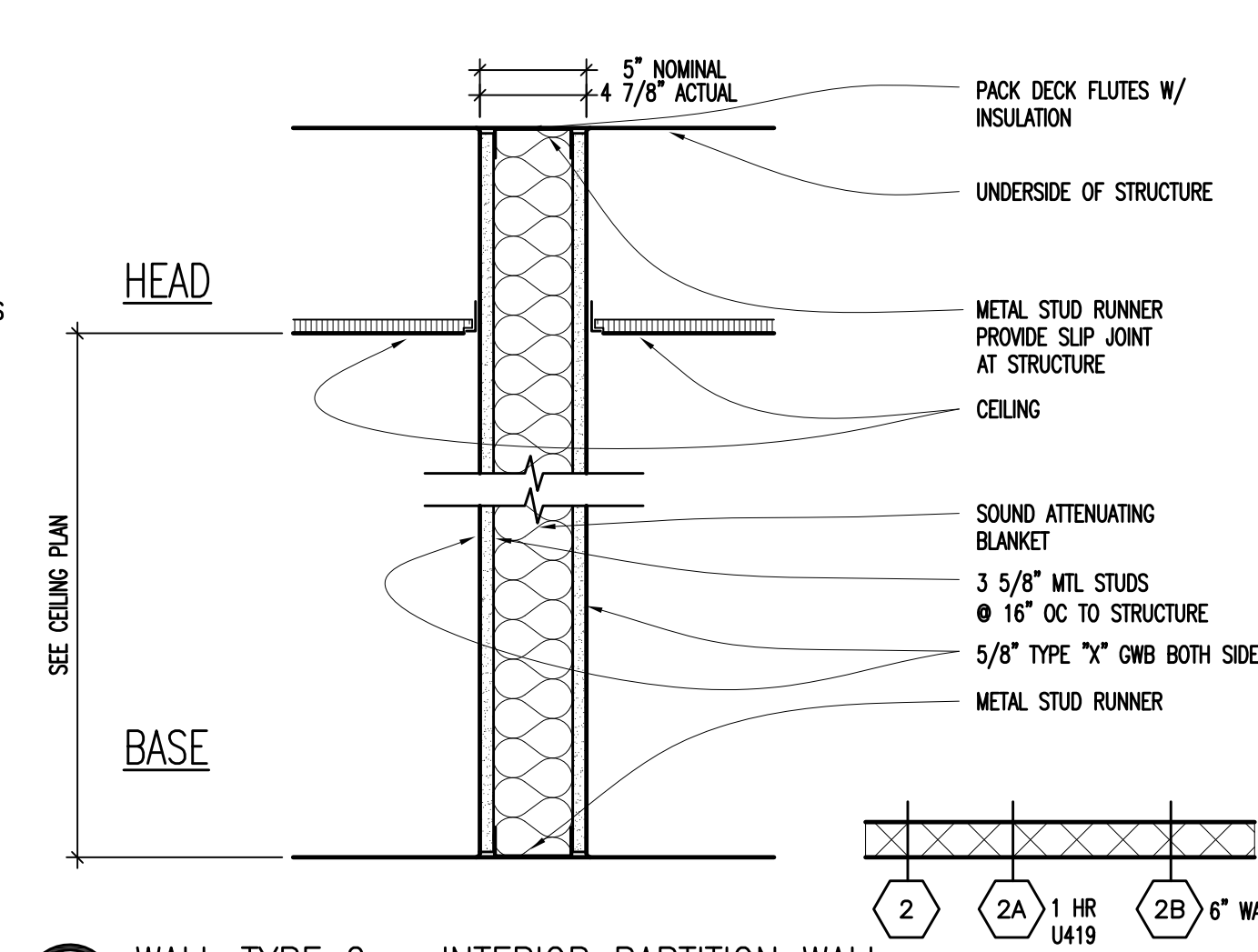
**Project No** 071750

**Issued For:**

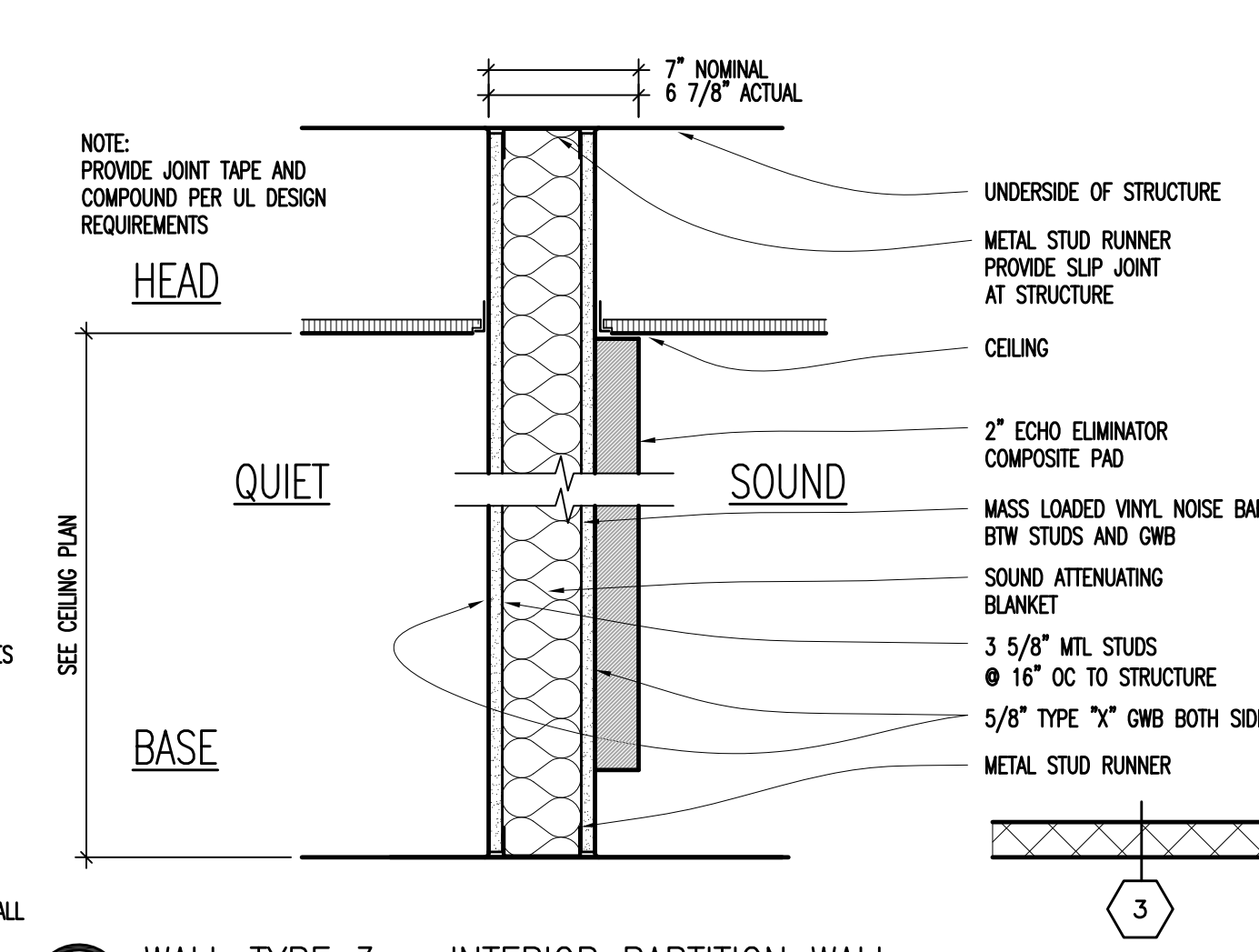
No.	Description	Date
01	ISSUED FOR BID	10-17-07



1 WALL TYPE 1 - INTERIOR PARTITION WALL  
SCALE: 1-1/2"=1'-0"

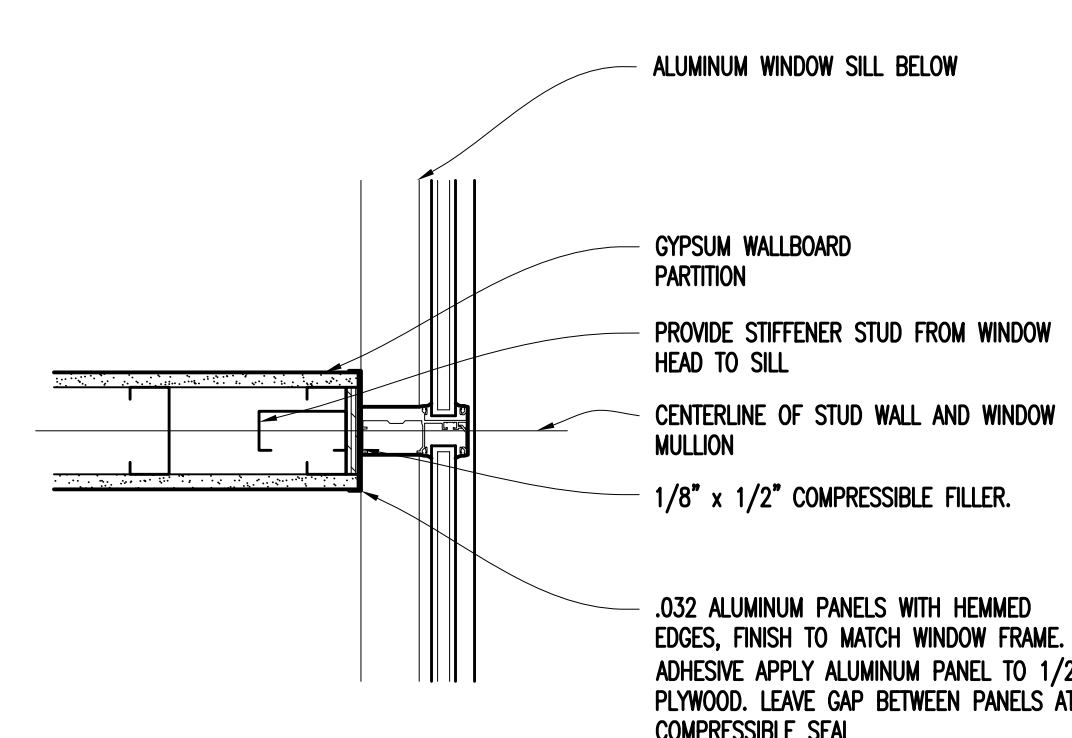


2 WALL TYPE 2 - INTERIOR PARTITION WALL  
SCALE: 1-1/2"=1'-0"

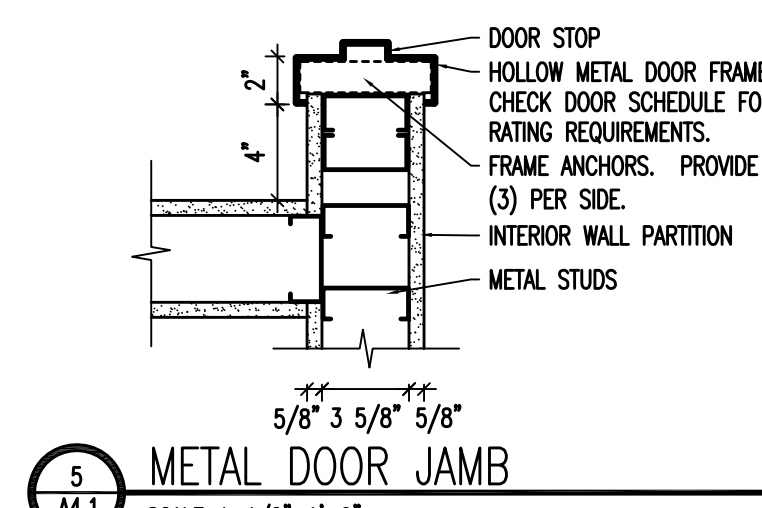


3 WALL TYPE 3 - INTERIOR PARTITION WALL  
SCALE: 1-1/2"=1'-0"

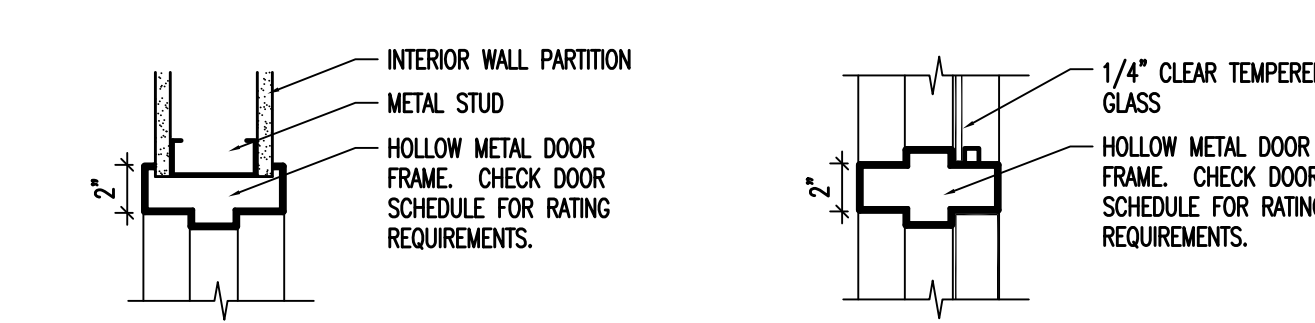
NOTE: ACOUSTICAL MATERIALS AVAILABLE FROM:  
ACOUSTICAL SURFACES, INC. (800) 854-2948



4 PARTITION WALL AT MULLION  
SCALE: 1-1/2"=1'-0"

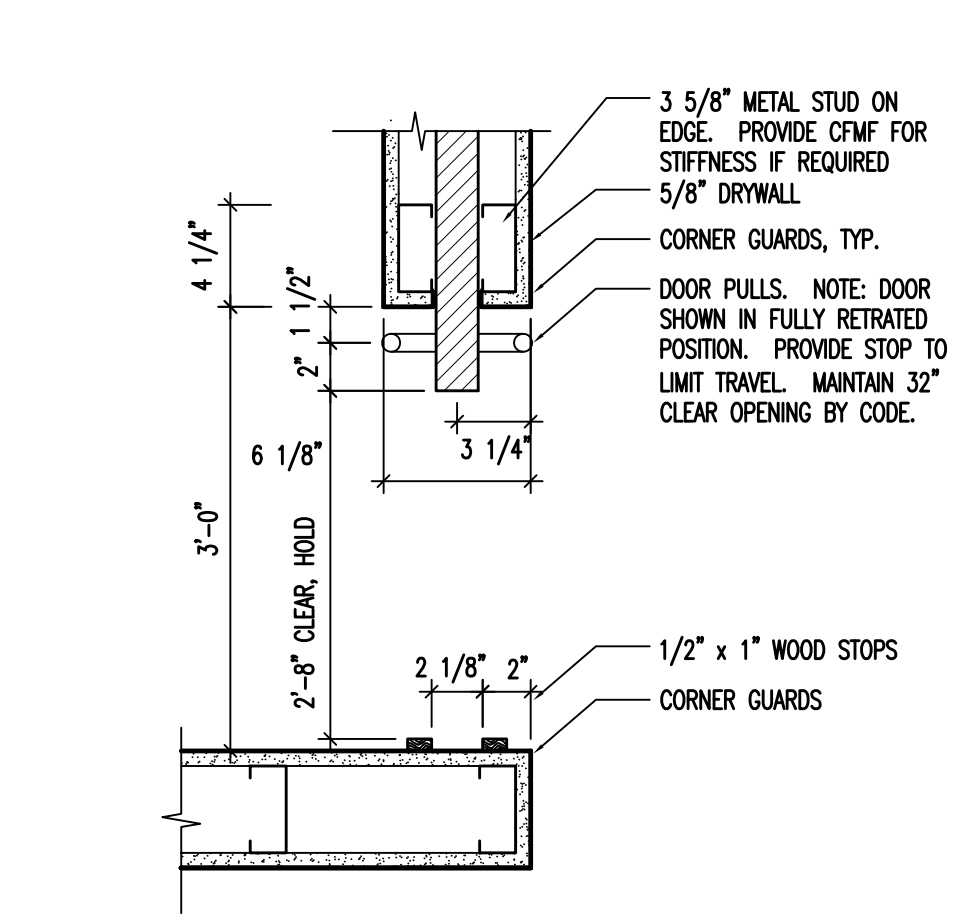


5 METAL DOOR JAMB  
SCALE: 1-1/2"=1'-0"



6 METAL FRAME HEAD  
SCALE: 1-1/2"=1'-0"

7 DOOR/SIDELITE JAMB  
SCALE: 1-1/2"=1'-0"



8 POCKET DOOR AT TREATMENT  
SCALE: 1-1/2"=1'-0"

## DOOR SCHEDULE

DOOR NUMBER	DOOR				FRAME			DETAILS			LABEL	LIGHT	LOUVER	HDWR SET	KEYED NOTES
	TYPE	MAT'L	FINISH	SIZE	TYPE	MAT'L	FINISH	THRESH	JAM	HEAD					
100-1	2	WD	ST	3'-0x8'-0"	C	HM	PT-2							1	2
100-2	2	WD	EX	3'-0x8'-0"	C	HM	PT-2							1	1
103-1	2	WD	ST	3'-0x8'-0"	A	HM	PT-2							4	2
114-1	1	WD	ST	3'-0x8'-0"	A	HM	PT-2							4	
115-1	1	WD	ST	3'-0x8'-0"	B	HM	PT-2						12x12	2	
116-1	1	WD	ST	3'-0x8'-0"	B	HM	PT-2				60 MIN.			1	
117-1	1	WD	ST	3'-0x8'-0"	B	HM	PT-2							6	
118-1	1	WD	ST	3'-0x8'-0"	B	HM	PT-2							1	
119-1	1	WD	ST	3'-0x8'-0"	B	HM	PT-2							1	2
120-1	2	WD	ST	3'-0x8'-0"	B	HM	PT-2							2	
122-1	1	WD	ST	3'-0x8'-0"	B	HM	PT-2							6	
125-1	1	WD	EX	3'-0x8'-0"	B	HM	PT-2							EX	1
126-1	1	WD	ST	3'-0x8'-0"	B	HM	PT-2				60 MIN.			5	3

## HARDWARE NOTES

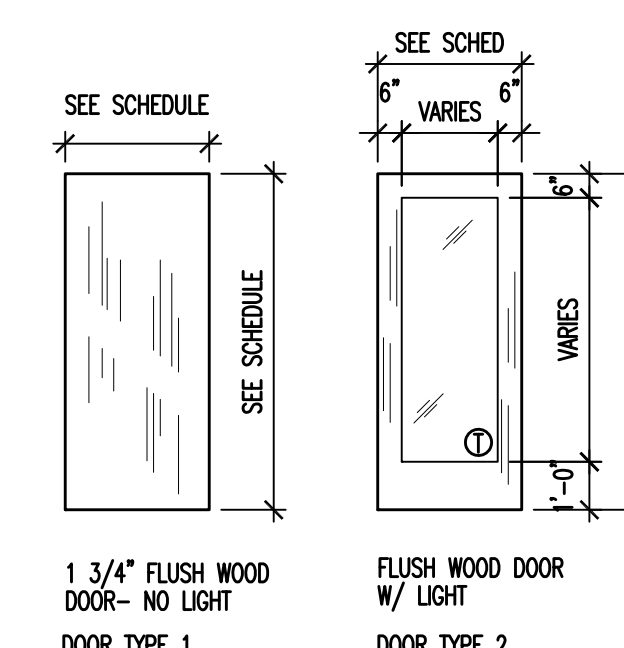
- LOCKETS/LATCHSET BY SCHLAGE. PROVIDE SPARTA LEVER AND 626(U5260) FINISH.
  - HINGES BY HAGER (OR EQUAL).
  - FLOOR STOPS BY NES (OR EQUAL).
  - CLOSERS BY LCN (OR EQUAL). PROVIDE W/ CUSH-N-STOP ARM.
  - PULLS, FLUSH BOLTS, DOOR STOPS & ROLLER LATCHES BY ROCKWOOD (OR EQUAL).
  - POCKET DOOR TRACK BY HAGER
- \*\* IF REQUESTING APPROVAL FOR ALTERNATE PRODUCTS (NOT LISTED ABOVE), CONTRACTOR TO PROVIDE CUT-SHEETS OF ORIGINALLY SPECIFIED HARDWARE AS WELL AS SUGGESTED ALTERNATE.
- \*\* ALL WOOD DOORS TO BE CLEAR FINISHED, SELECT WHITE MAPLE

## HARDWARE SETS

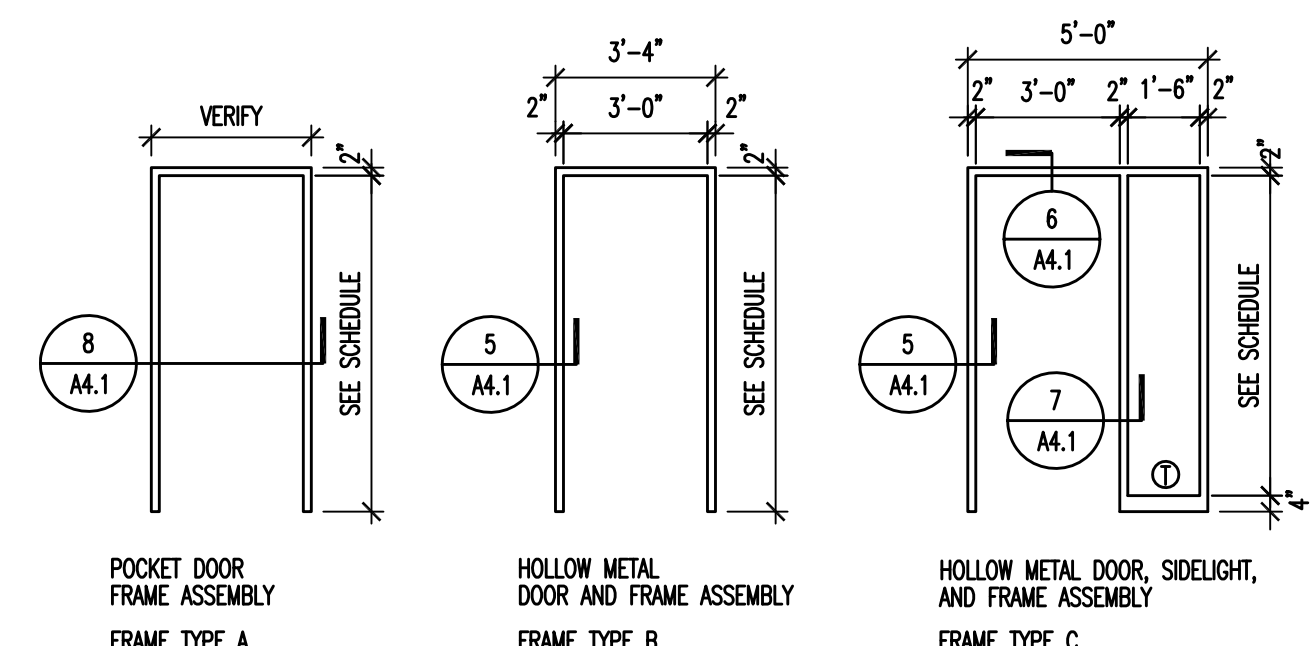
- LATCHSET (ND105), BUTT HINGES (BB1168), FLOOR STOP, CLOSER (4040-CUSH)
- LOCKSET (ND50P0), BUTT HINGES (BB1168), FLOOR STOP
- LOCKSET (ND53P0), BUTT HINGES (BB1168), CLOSER (4040-CUSH)
- HEAVY DUTY TRACK (9678), WITH BAR PULLS (8F106)
- LOCKSET (ND50P0), BUTT HINGES (BB1168), ACOUSTICAL SEALS (599C & 330048), FLOOR STOP (ACOUSTICAL SEALS BY ACOUSTICAL SURFACE, INC. (800) 448-0121)
- LATCHSET (ND105), BUTT HINGES (BB1168), FLOOR STOP

## KEYED NOTES

- REKEY CYLINDER TO MATCH TENANTS KEY STRUCTURE AND BUILDING KEY STRUCTURE
- PROVIDE WINDOW FILM TO MATCH SIDELIGHT
- PROVIDE HIGH STL DOOR



9 DOOR TYPES  
SCALE: 1/4" = 1'-0"



10 FRAME TYPES  
SCALE: 1/4" = 1'-0"

## Wall Types, Details, & Door Schedule

**Drawn by** RAF  
**Checked by** TAS  
**File** 1750 A4-1.dwg

A4.1