

Engberg Anderson Design Partnership, Inc.
MILWAUKEE • MADISON

AMERICAN DENTAL PARTNERS- METAIRIE

2400 VETERANS BOULEVARD SUITE 210
KENNER, LOUISIANA

Owner
American Dental Partners, Inc.
3000 W. Esplanade Ave. Suite 200
Metairie, LA 70002

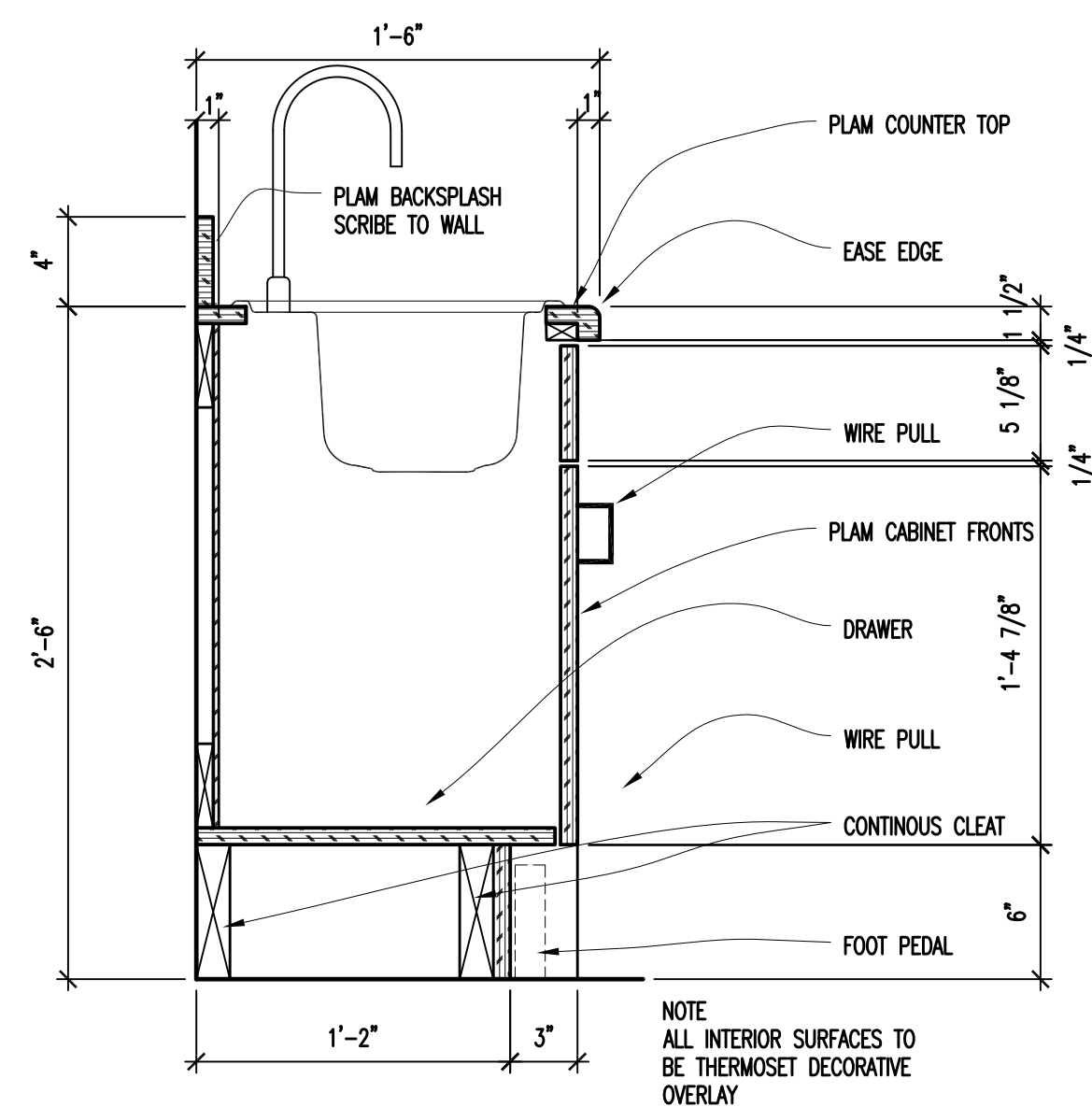
Project No 071750

Issued For:
No. Description Date
01 ISSUED FOR BID 10-17-07

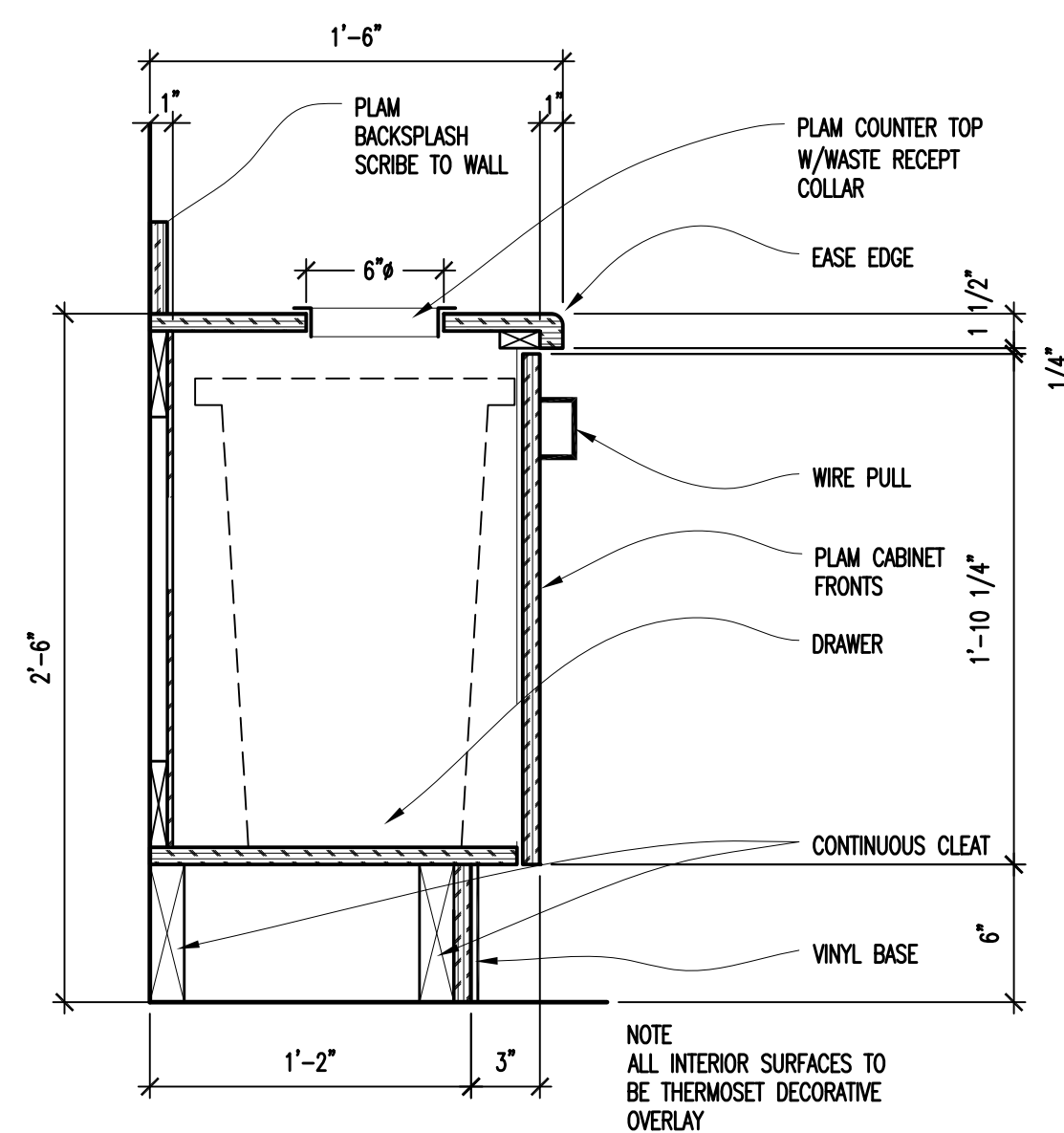
Drawn by RAF
Checked by TAS
File 1750 A4-2.dwg

Details

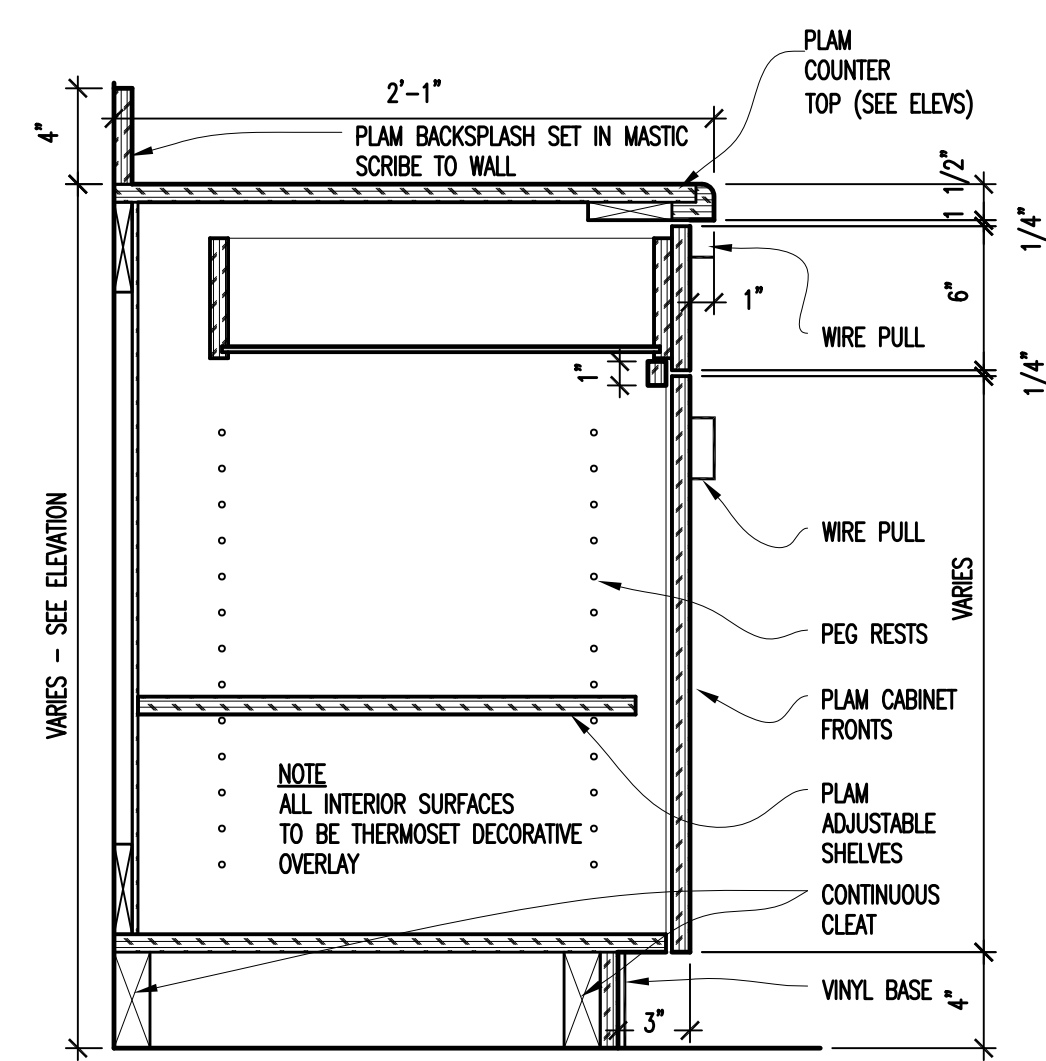
A4.2



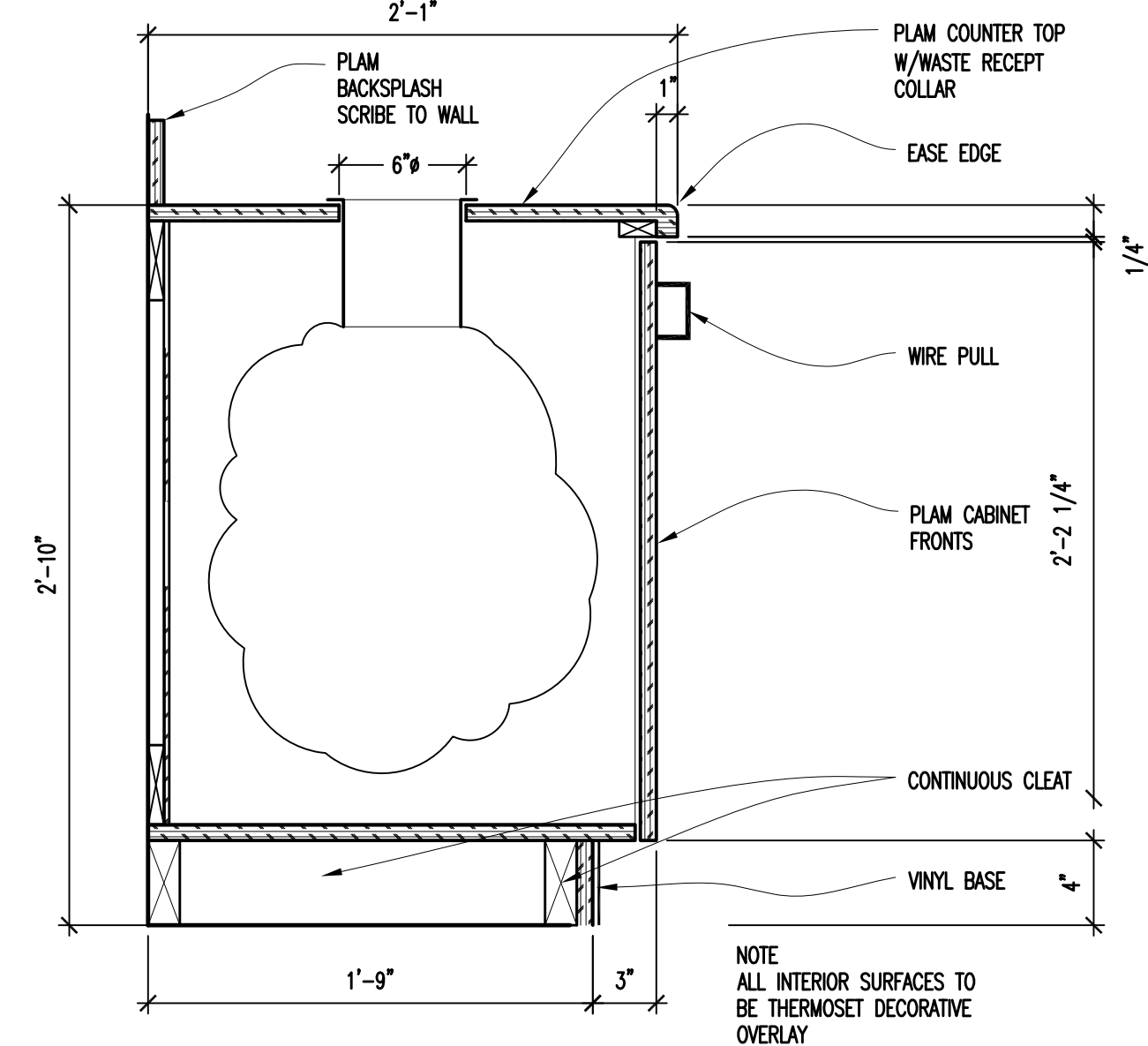
1 TREATMENT ROOM LOWER
SCALE: 1-1/2"=1'-0"



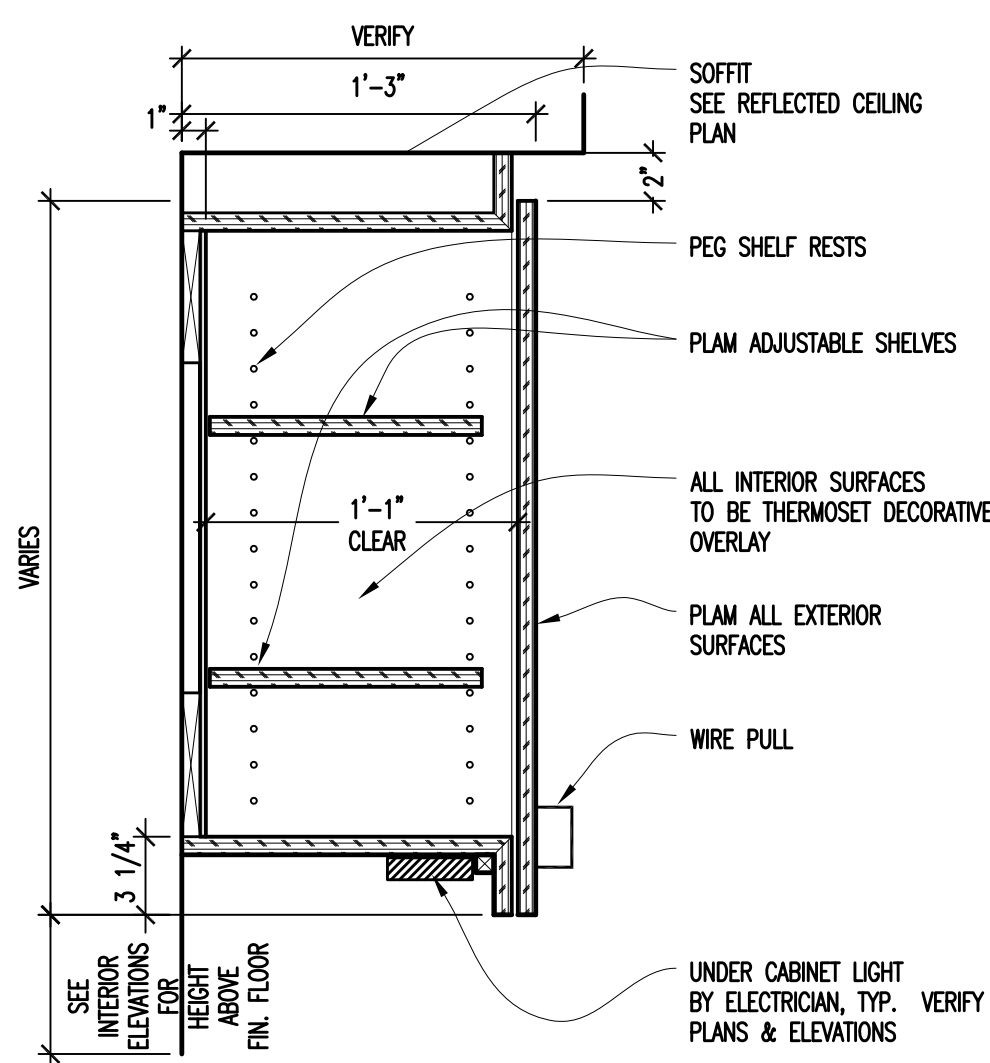
2 TREATMENT ROOM LOWER
SCALE: 1-1/2"=1'-0"



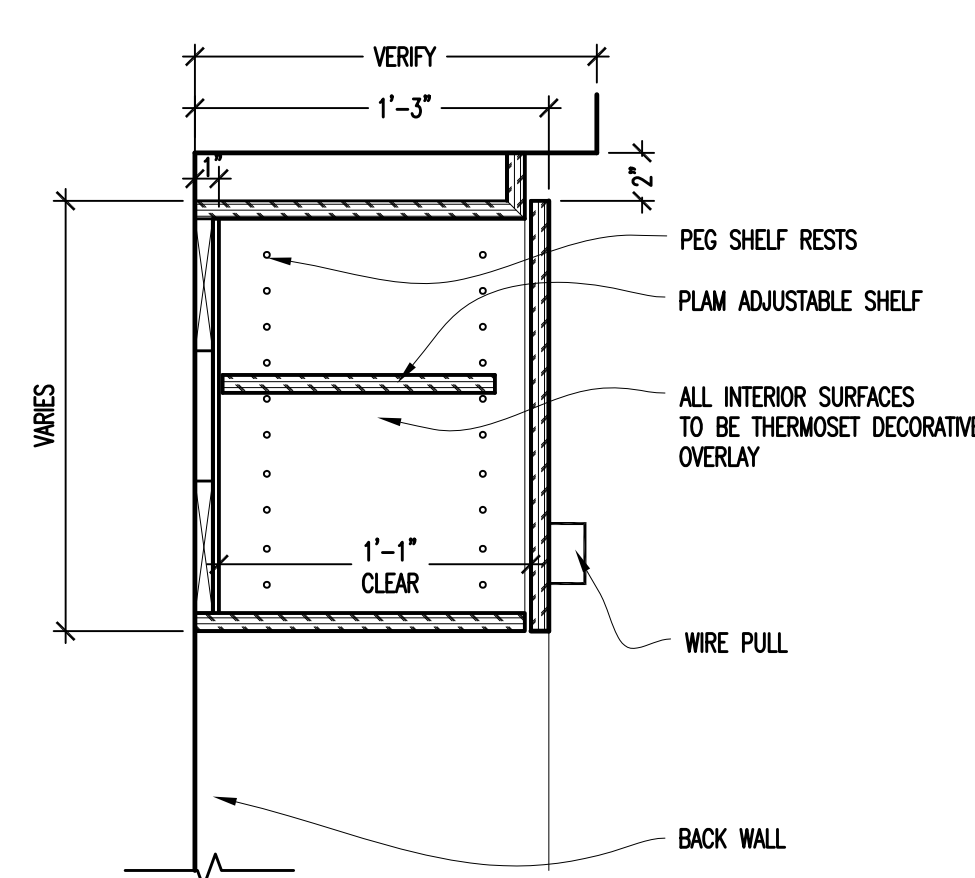
3 BASE CABINET WITH DRAWER
SCALE: 1-1/2"=1'-0"



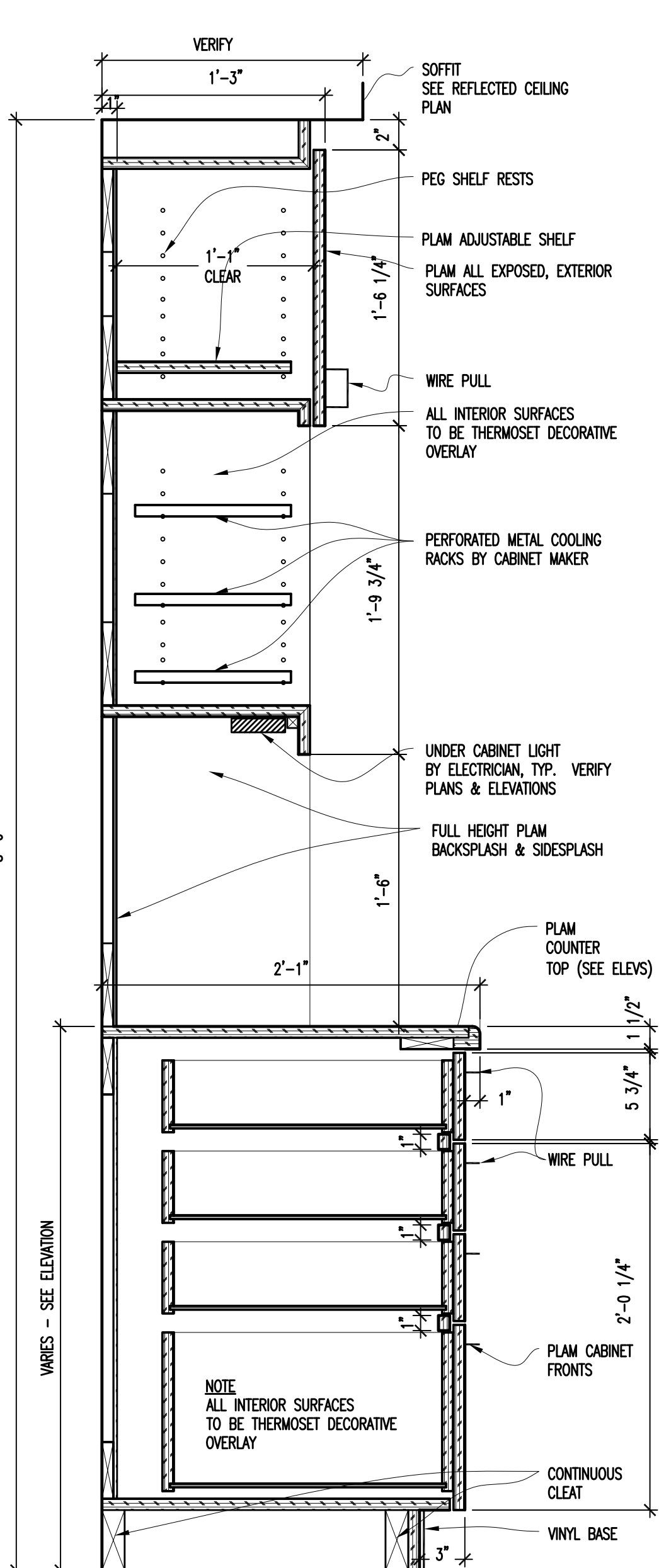
4 BASE CABINET WITH TRASH - TYPICAL
SCALE: 1-1/2"=1'-0"



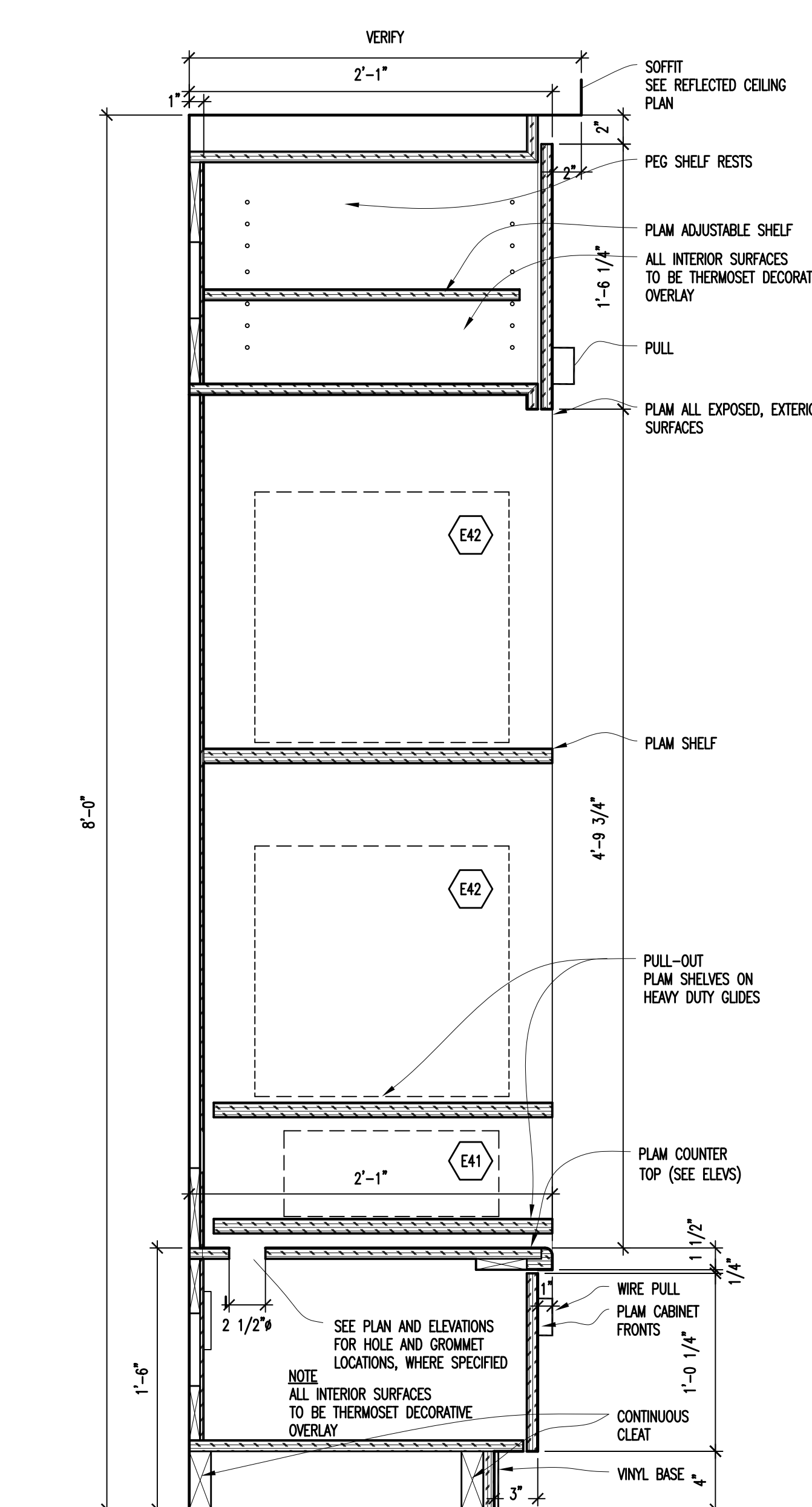
5 LARGE UPPER - TYPICAL
SCALE: 1-1/2"=1'-0"



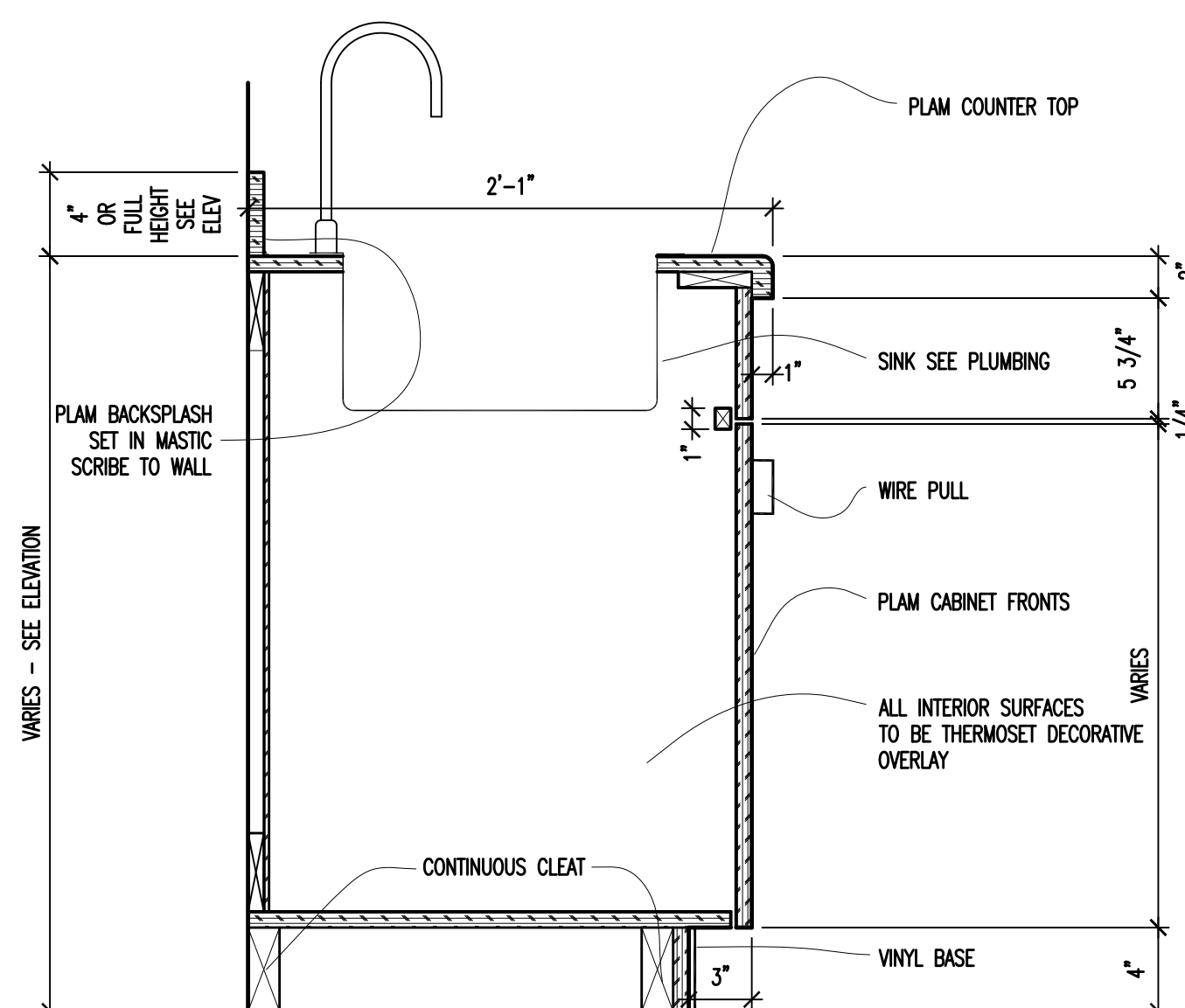
6 SMALL UPPER - TYPICAL
SCALE: 1-1/2"=1'-0"



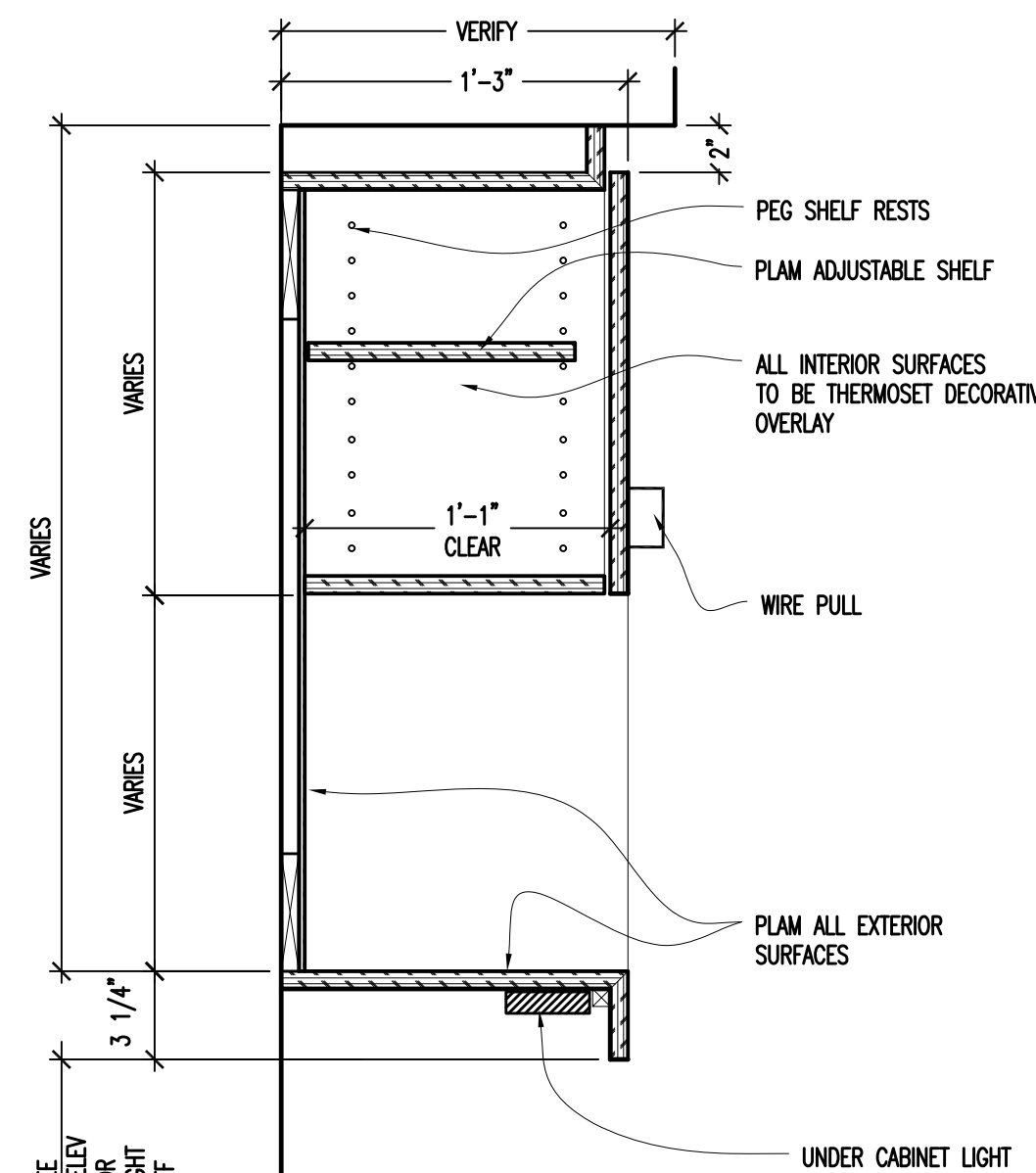
9 STERILE - WITH COOLING RACKS
SCALE: 1-1/2"=1'-0"



10 STERILE - WITH PULL OUT SHELVES
SCALE: 1-1/2"=1'-0"



7 LOWER
SCALE: 1-1/2"=1'-0"



8 STAFF KITCHEN - MICROWAVE CABINET
SCALE: 1-1/2"=1'-0"