



Engberg Anderson Design Partnership, Inc.  
MILWAUKEE • MADISON

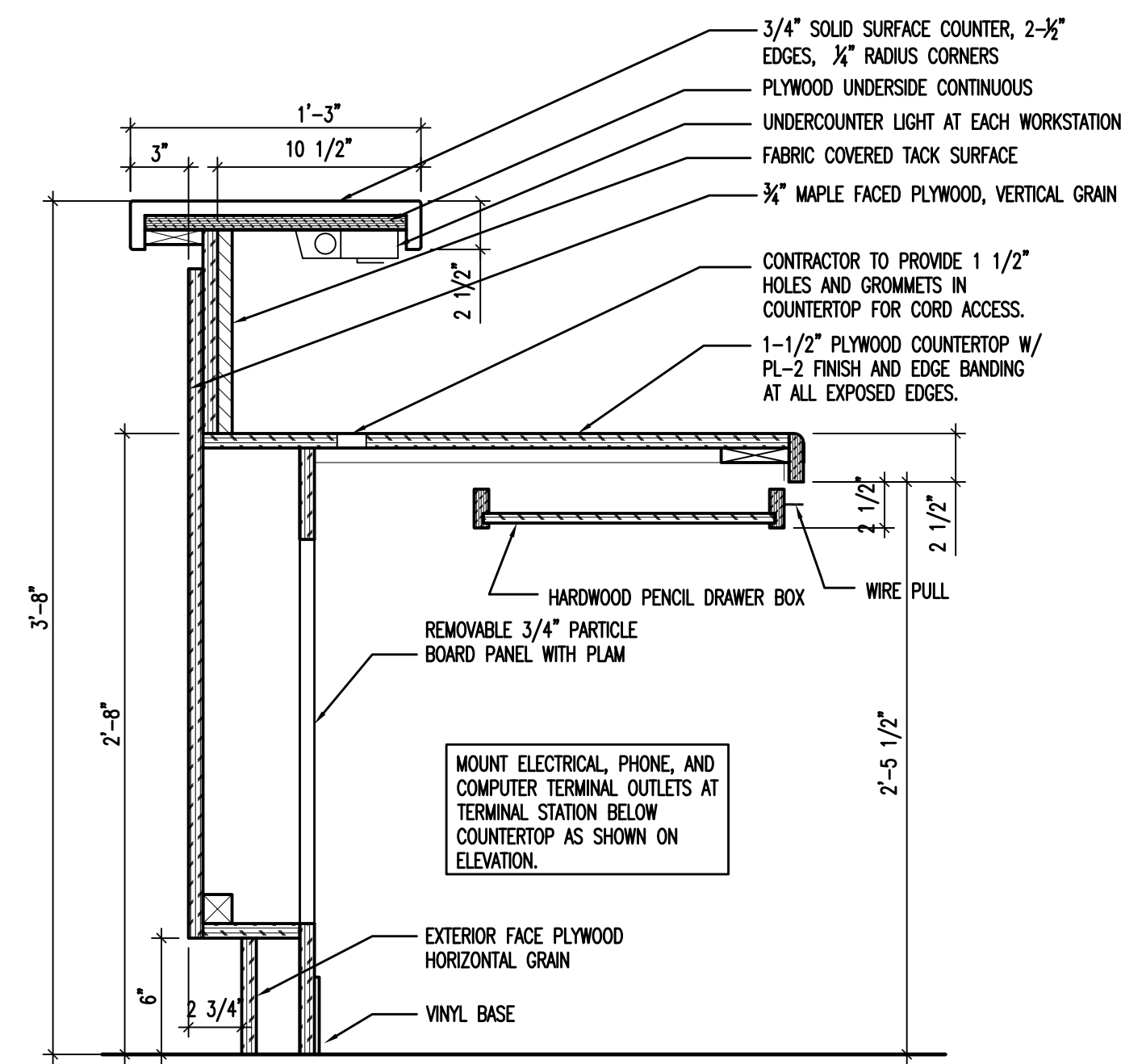
## AMERICAN DENTAL PARTNERS- METAIRIE

2400 VETERANS BOULEVARD SUITE 210  
KENNER, LOUISIANA

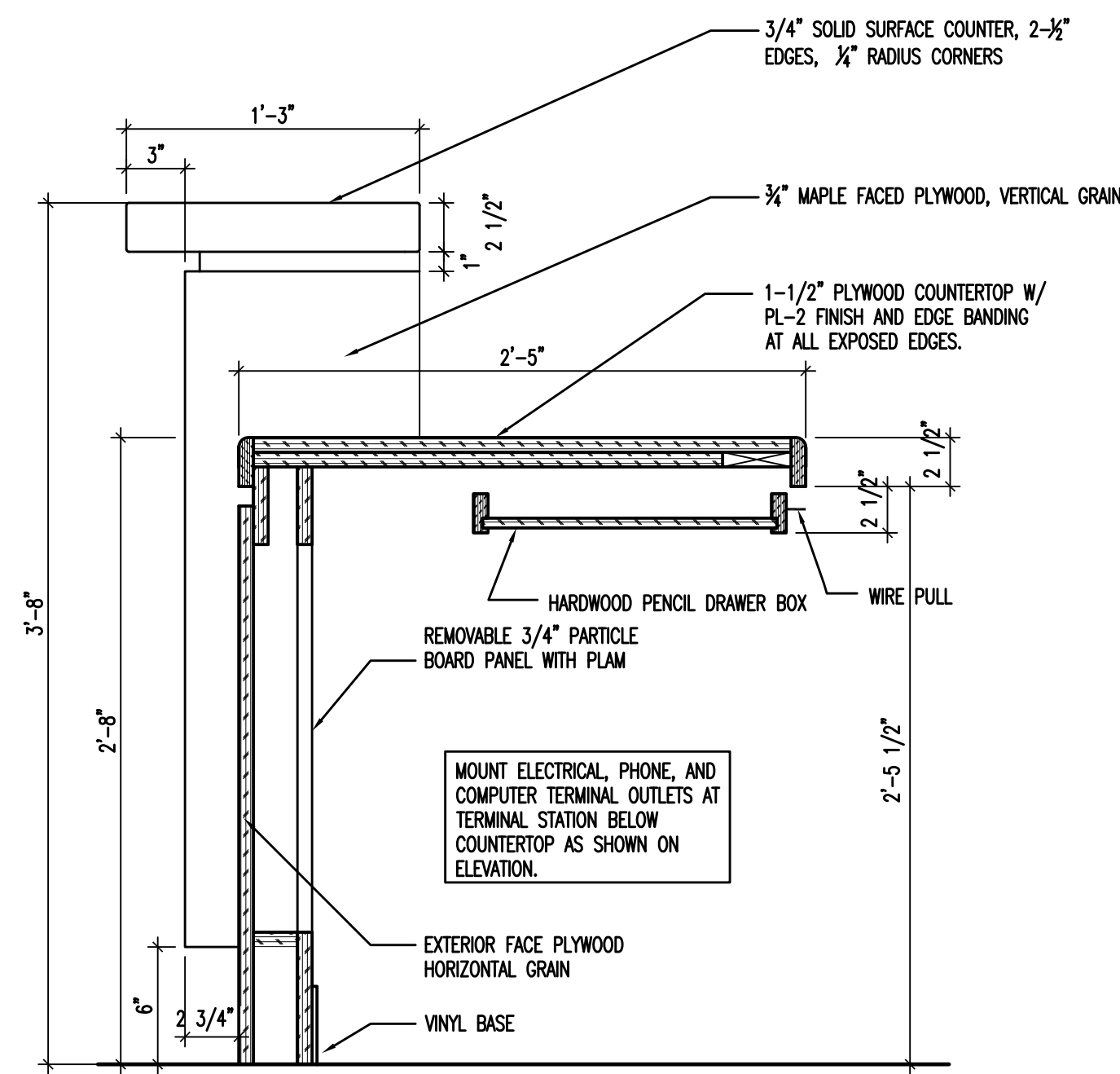
**Owner**  
American Dental Partners, Inc.  
3000 W. Esplanade Ave. Suite 200  
Metairie, LA 70002

**Project No** 071750

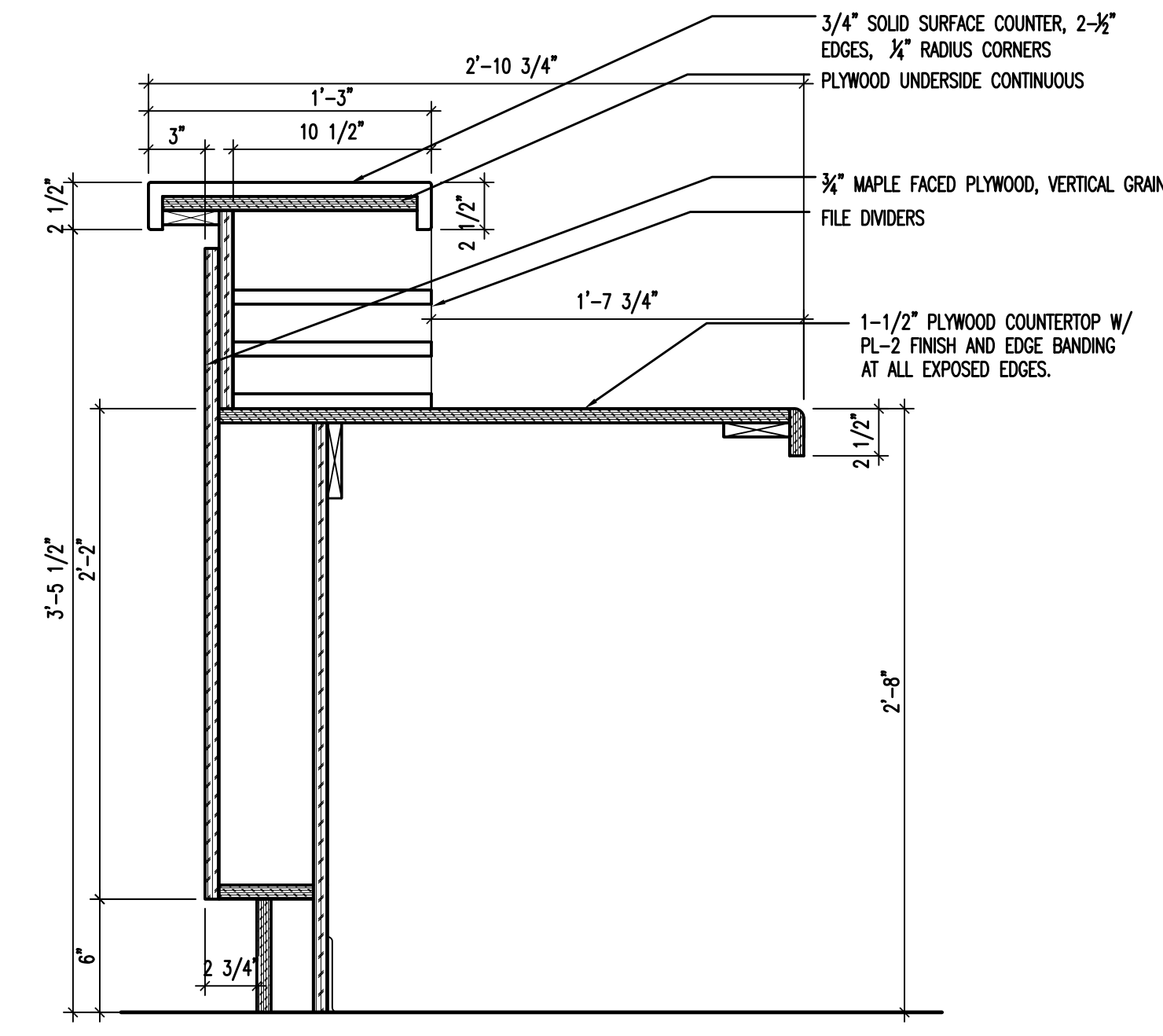
Issued For:		
No.	Description	Date
01	ISSUED FOR BID	10-17-07



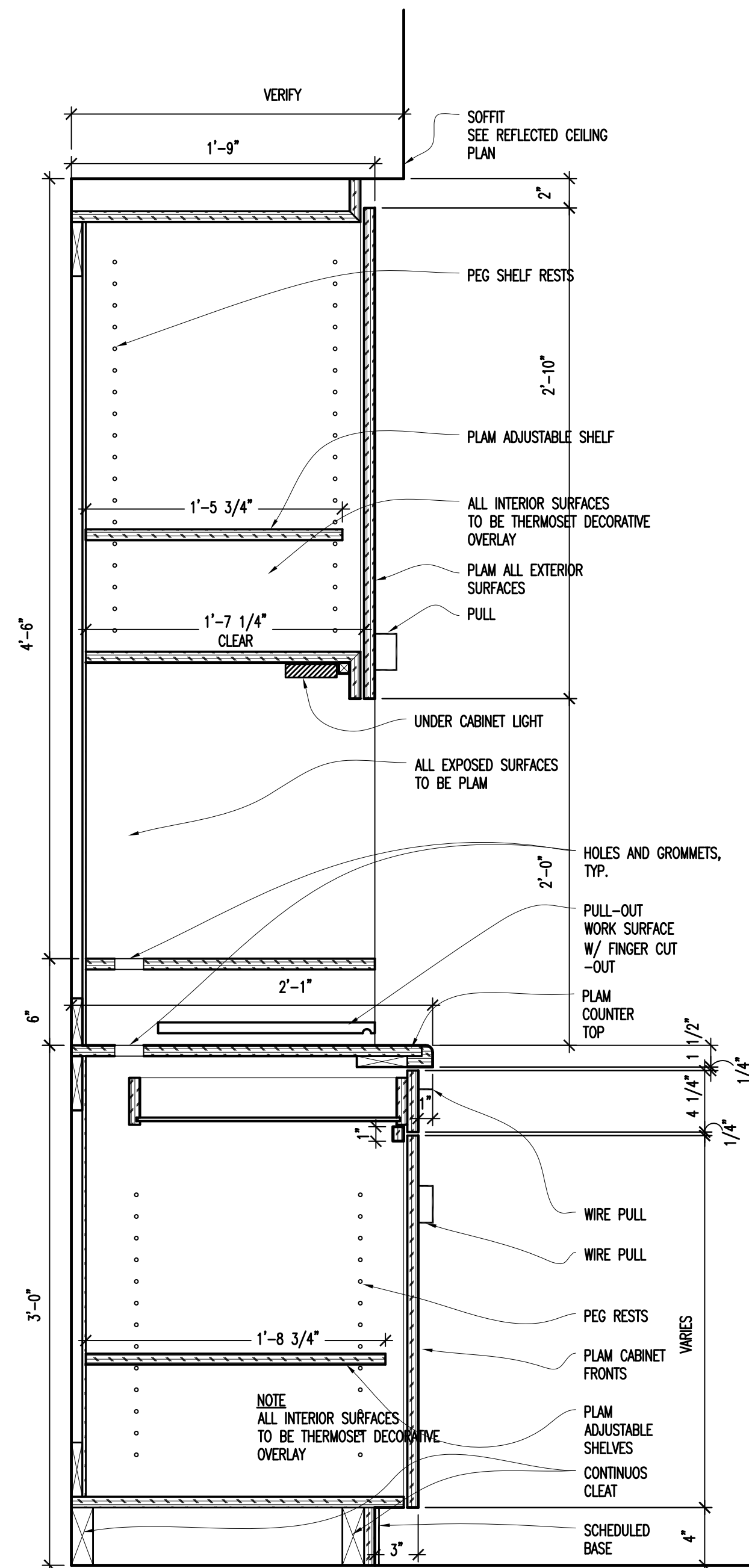
1 SECTION THROUGH RECEPTION DESK  
SCALE: 1-1/2" = 1'-0"



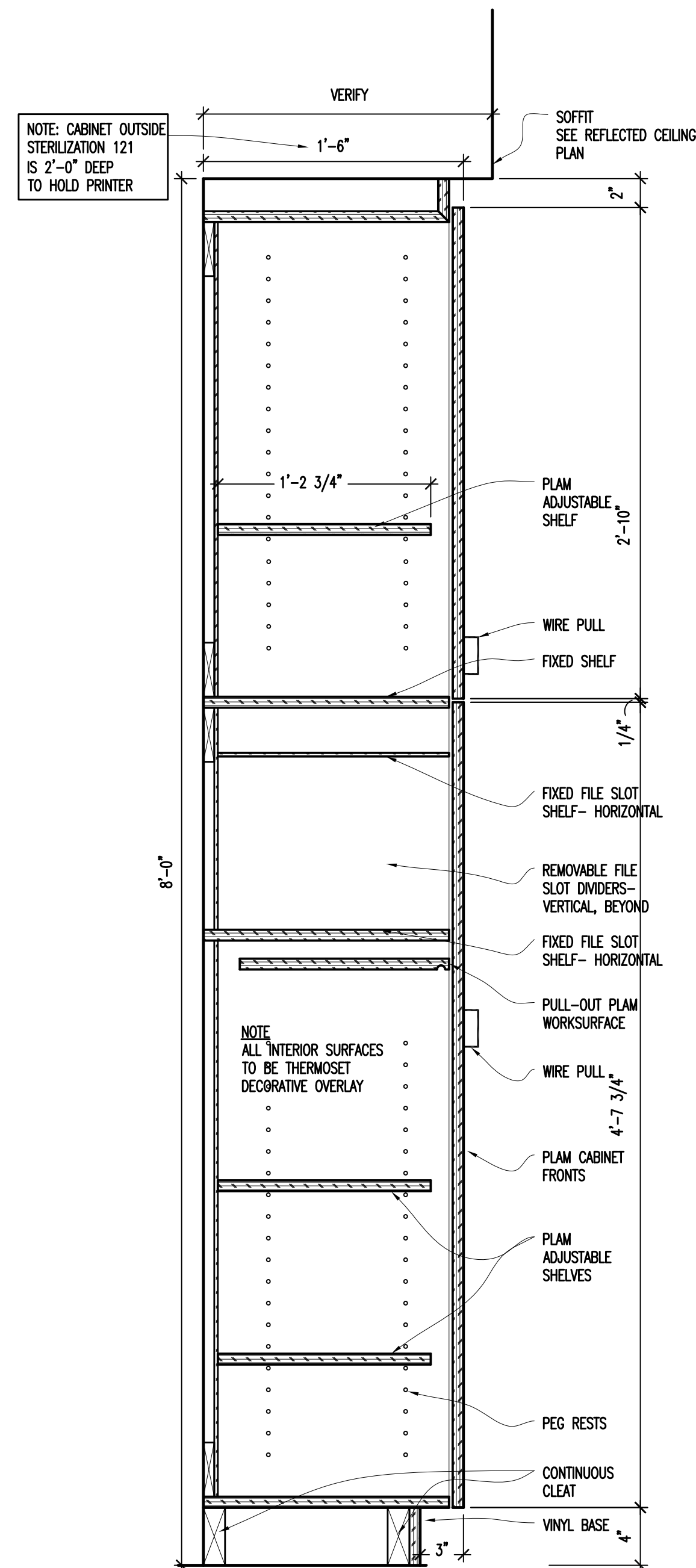
2 SECTION THROUGH RECEPTION DESK  
SCALE: 1-1/2" = 1'-0"



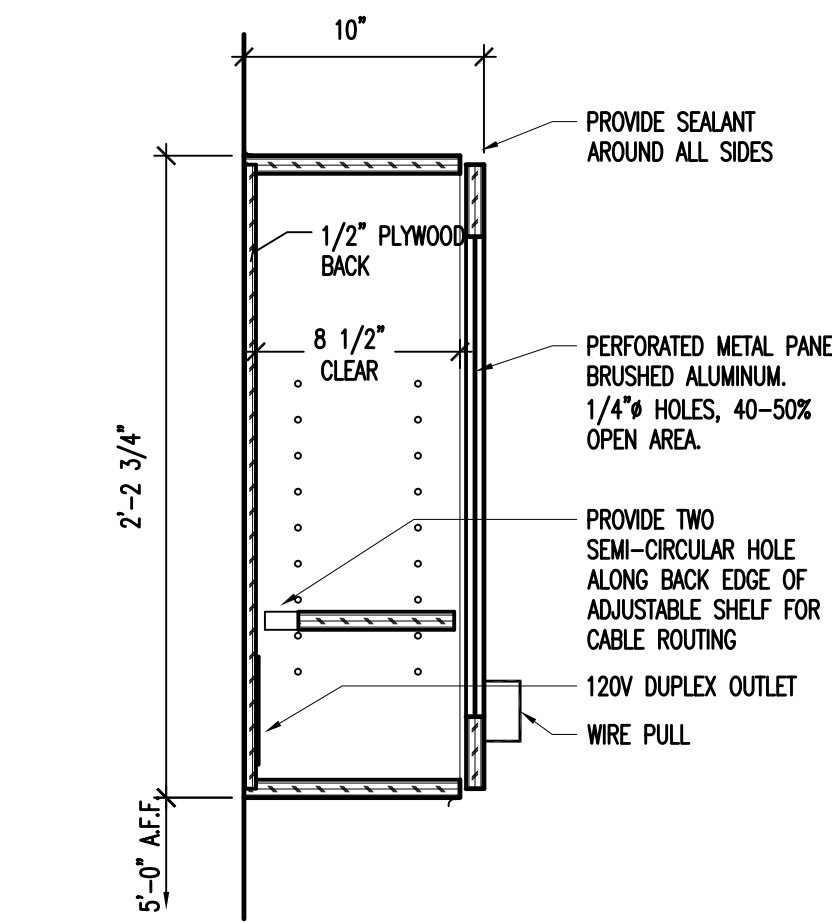
3 SECTION THROUGH RECEPTION DESK  
SCALE: 1-1/2" = 1'-0"



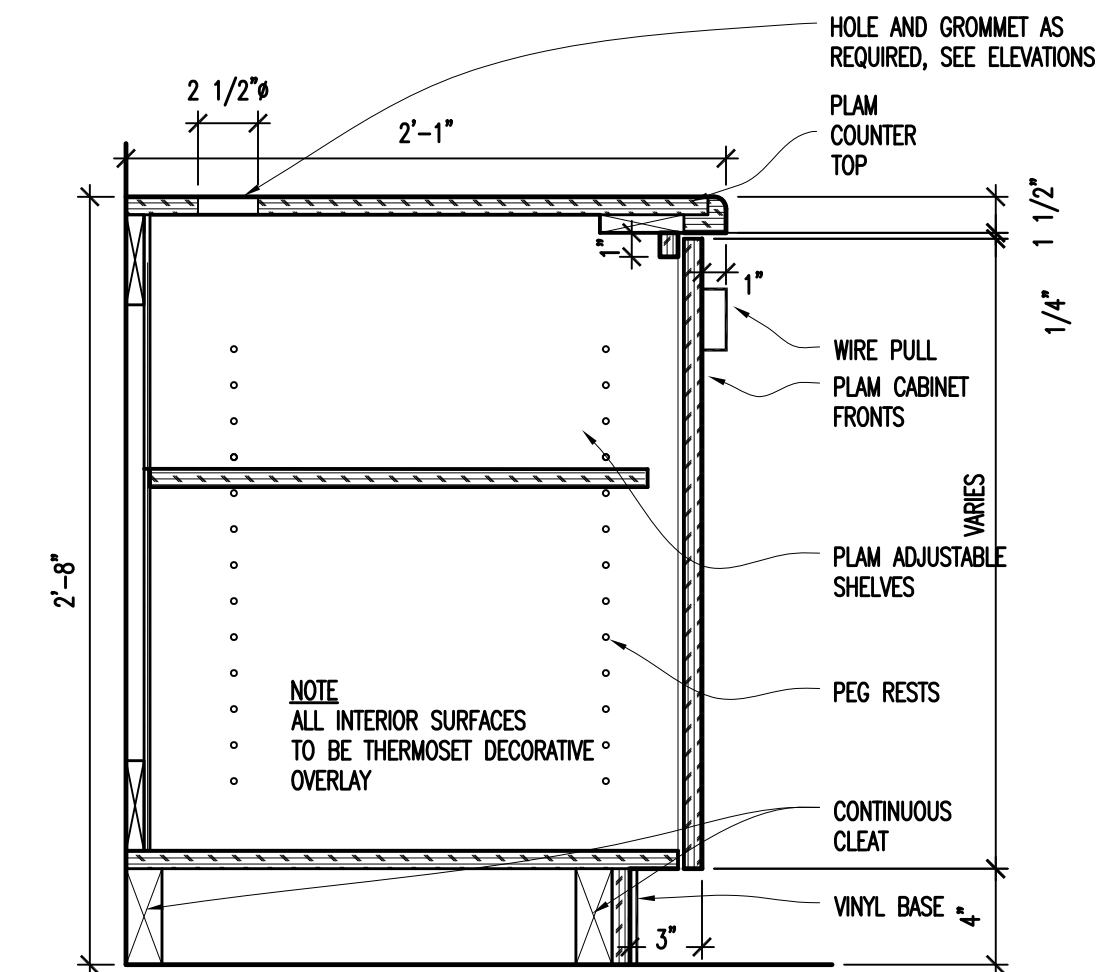
4 SCHEDULING ALCOVE  
SCALE: 1-1/2" = 1'-0"



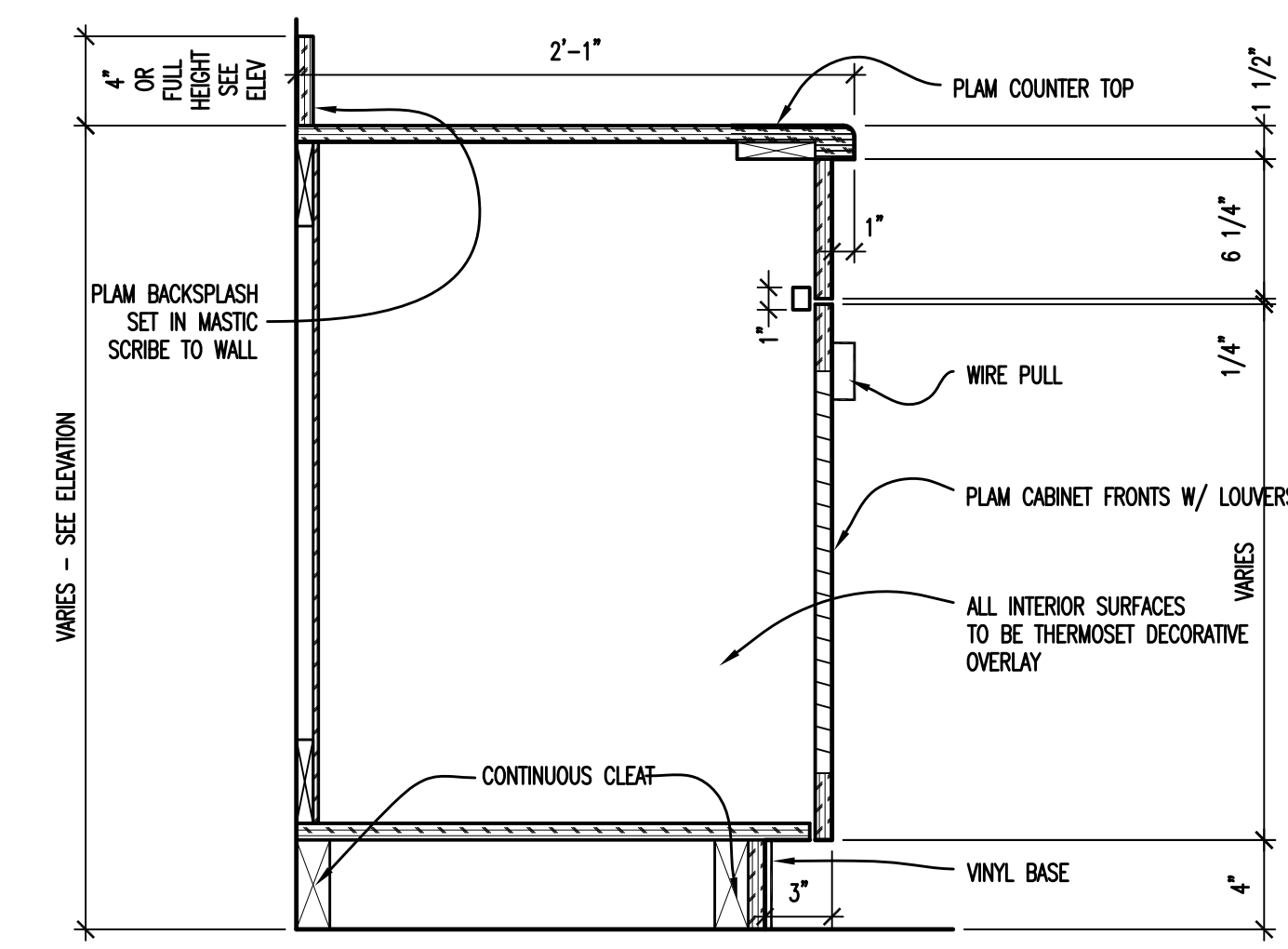
5 FULL HEIGHT CABINETS W/ ADJ. SHELVES  
SCALE: 1-1/2" = 1'-0"



6 HEADWALL COMPUTER CABINET  
SCALE: 1-1/2" = 1'-0"



8 BASE CABINET  
SCALE: 1-1/2" = 1'-0"



7 LOWER  
SCALE: 1-1/2" = 1'-0"

**Drawn by** RAF  
**Checked by** TAS  
**File** 1750 A4-3.dwg

## Details

# A4.3