

K.B. KAUFMANN & CO., INC.  
1019 OLD SPANISH TRAIL  
SLIDELL, LA 70458  
985-649-7381/ 649-8010  
FAX-985-649-7679  
E-MAIL: kbkauf1@aol.com



# Fax

To: Chuck Dammon Attn: \_\_\_\_\_

Fax: \_\_\_\_\_ Date: 5/2/07

Phone: \_\_\_\_\_ Pages: \_\_\_\_\_ Including cover sheet

Re: \_\_\_\_\_ From: Mike Palermo

- Urgent    For Review    Please Comment    Please Reply    Please Recycle

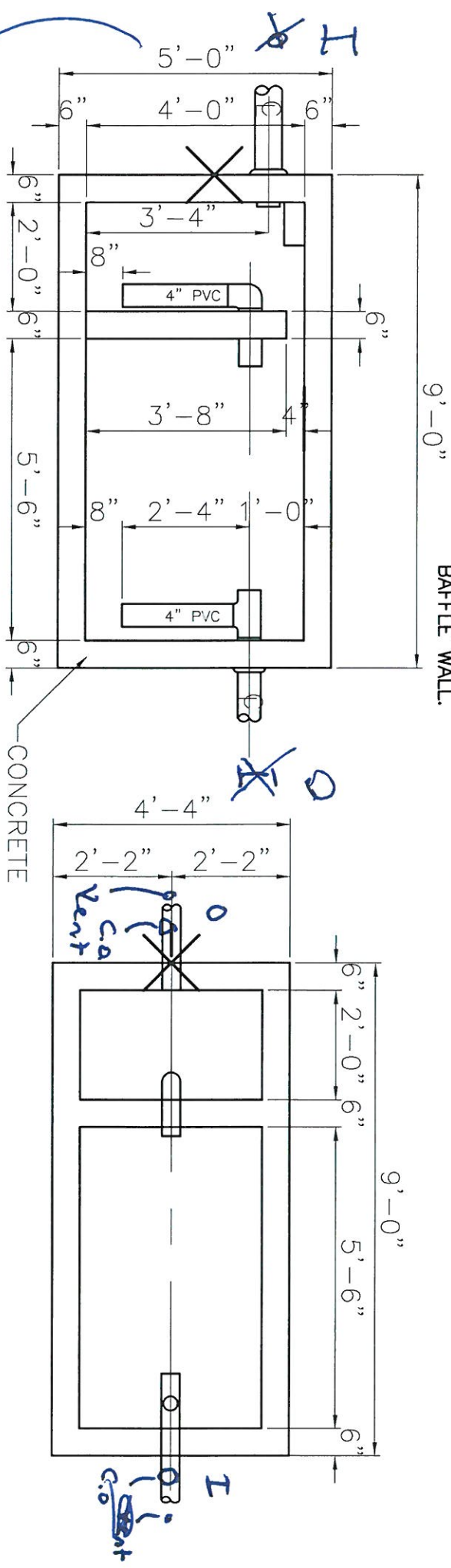
•Comments:

Chuck, please note the changes from Frank. Call him if you have any questions.

Thanks,  
MP

**NOTE:**

THE OIL/WATER SEPARATOR MUST HAVE A MINIMUM WATER DEPTH OF THREE (3) FEET AND A MINIMUM WATER VOLUME OF 1,000 GALS. IN ADDITION, THE TOP OF THE SEPARATORS BAFFLE WALL(S) MUST BE AT LEAST TWO INCHES BELOW THE TRAPS WATER LEVEL. WATER MUST BE ABLE TO FREELY FLOW OVER THE ENTIRE WIDTH OF THE BAFFLE WALL.



SECTION

PLAN

SAND - OIL/WATER INTERCEPTOR  
 SCALE: 3/8" = 1'-0"  
 A  
 P-1

SAND- OIL/ WATER SEPARATOR

SCALE: 3/8" = 1'-0"

To vented  
 Oil Storage  
 Tank

Ph: 985/649-5833 Fax: 985-641-5925

Deamon Engineering

1 of 2

5' X 5' CONVENTIONAL LEVEL PAD TYP

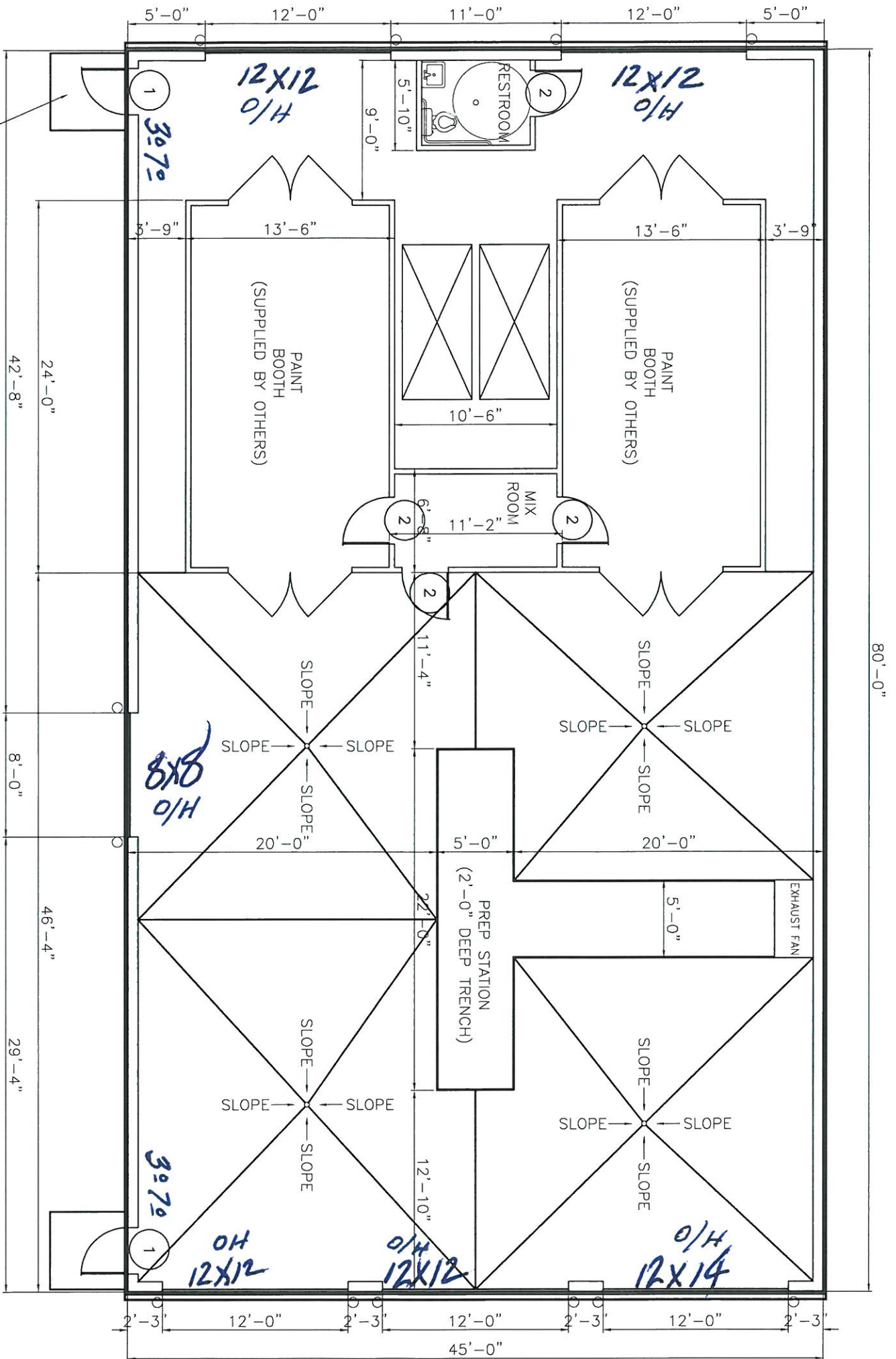
# FLOOR PLAN

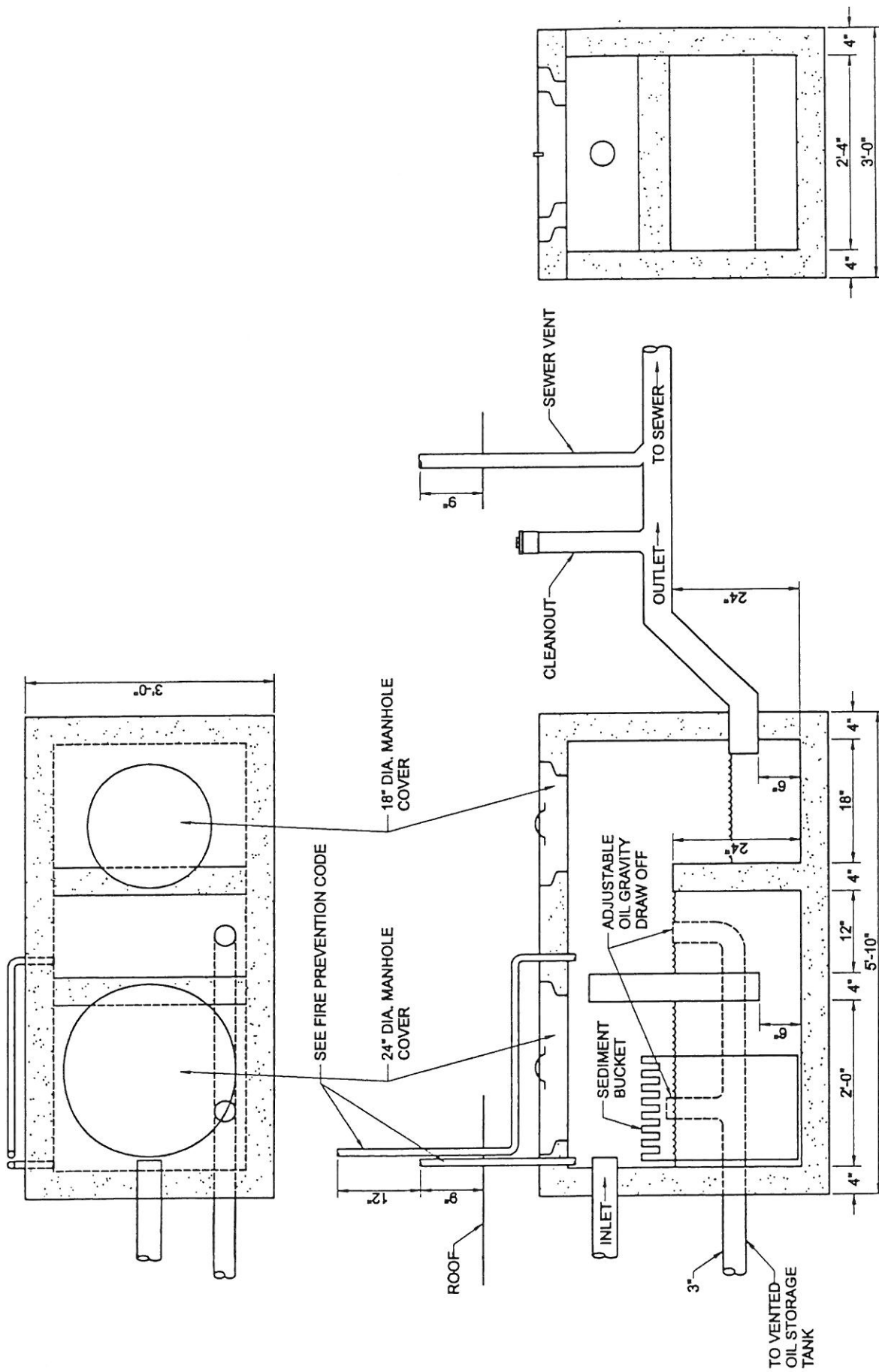
SCALE: 3/16" = 1'-0"



Attn: A T Williams

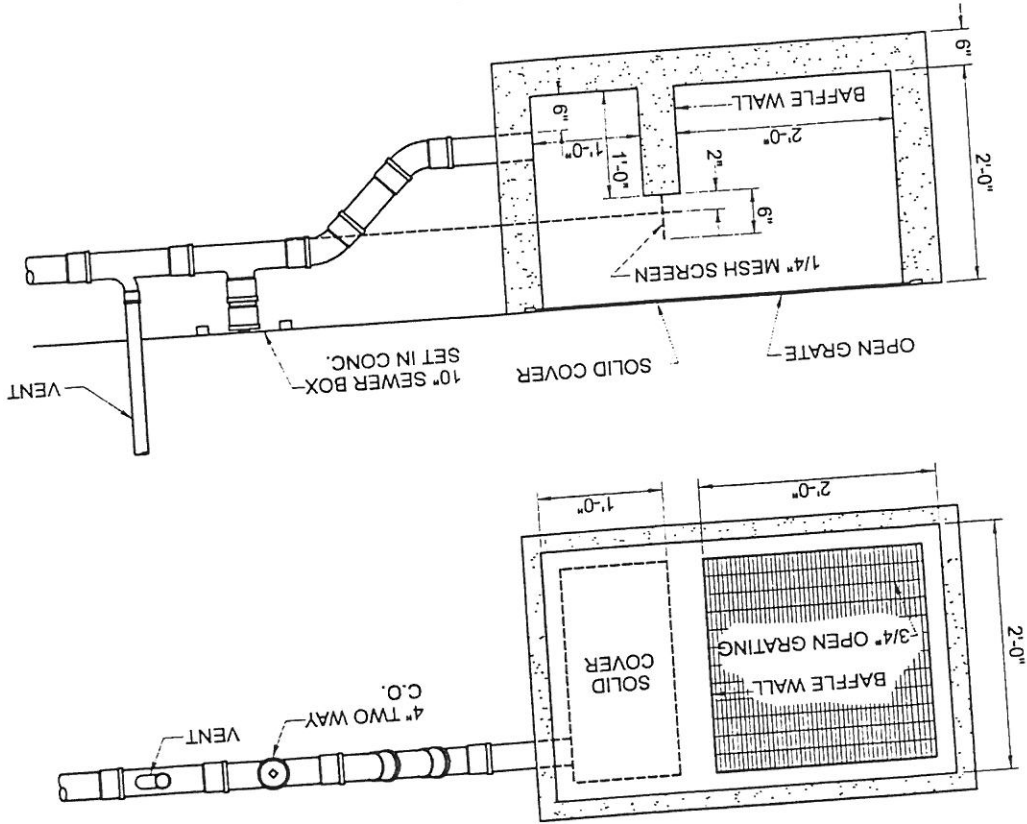
318/428-8360





Oil Interceptor Details  
Figure M106.B

Figure M107.A  
Sand Interceptor



**M107 SAND INTERCEPTORS**

M107.1 Multiple floor drains may discharge into one sand interceptor.

M107.2 Sand interceptors shall be built of brick or concrete, prefabricated coated steel, or other watertight material. The interceptor shall have an interior baffle for full separation of the inlet into two sections. The outlet pipe shall be the same size as the inlet, the minimum being three inches, and the baffle shall have two openings of the same diameter as the outlet pipe and at the same invert as the outlet pipe. These openings shall be staggered so that there cannot be a straight line flow between any inlet pipe and the outlet pipe. The invert of the inlet pipe shall be no lower than the invert of the outlet pipe.

The sand interceptor shall have a minimum dimension of two feet square for the net free opening of the inlet screen and a minimum depth under the invert of the outlet pipe of two feet.

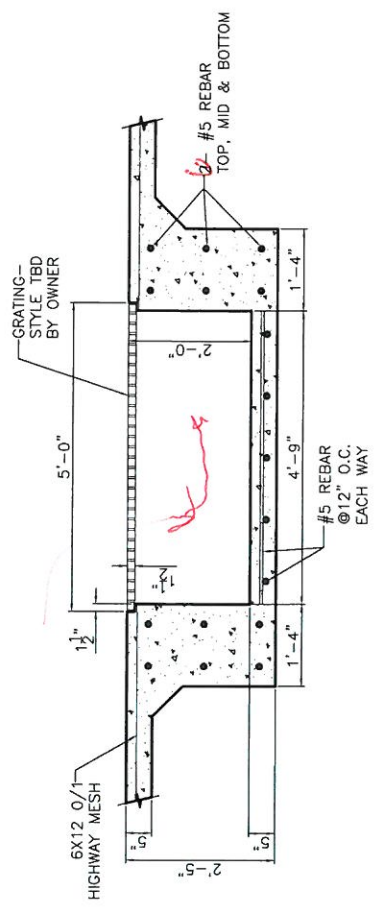
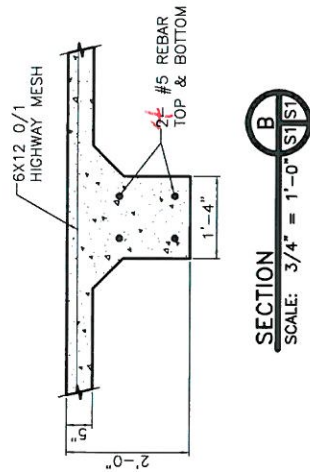
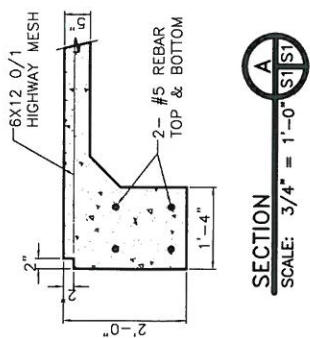
M107.4 Alternate designs for construction or baffling of sand interceptors complying with the intent of this code may be submitted to the Plumbing Official for approval.

M107.3 Sand and similar interceptors for every solid shall be designed and located as to be readily accessible for cleaning, shall have a water seal of not less than six inches, and shall be vented.

The outlet section shall be covered by a solid removable cover set flush with the finished floor, and the inlet section shall have an open grating set flush with the finished floor and suitable for the traffic in the area in which it is located.

For each five gallons per minute flow or fraction thereof, the area of the sand interceptor shall be increased by one square foot. The outlet section shall at all times have a minimum area of 50 percent inlet sections.

Attn: Baye



SECTION C  
SCALE: 3/4" = 1'-0" (S1S1)