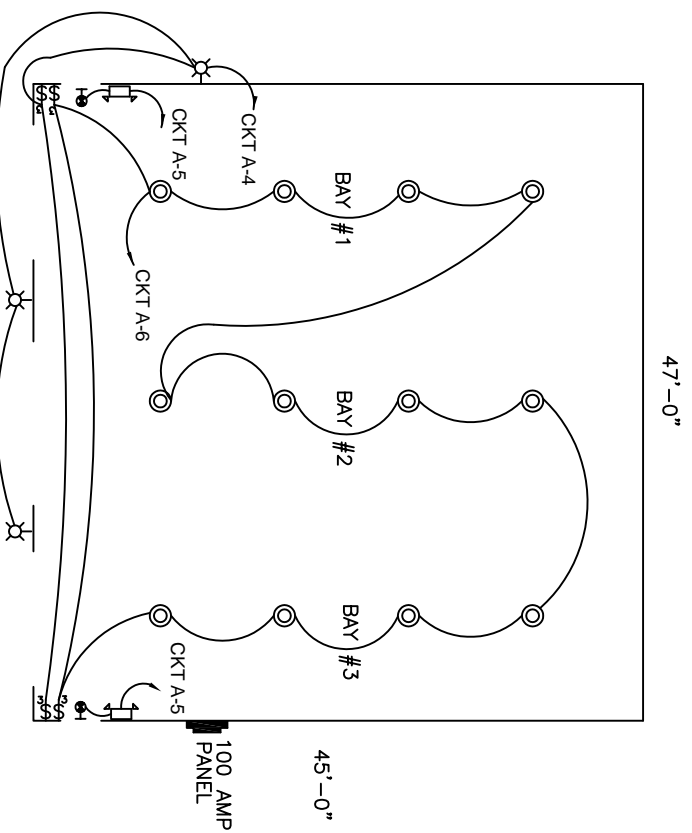


POWER PLAN
SCALE: N.T.S.

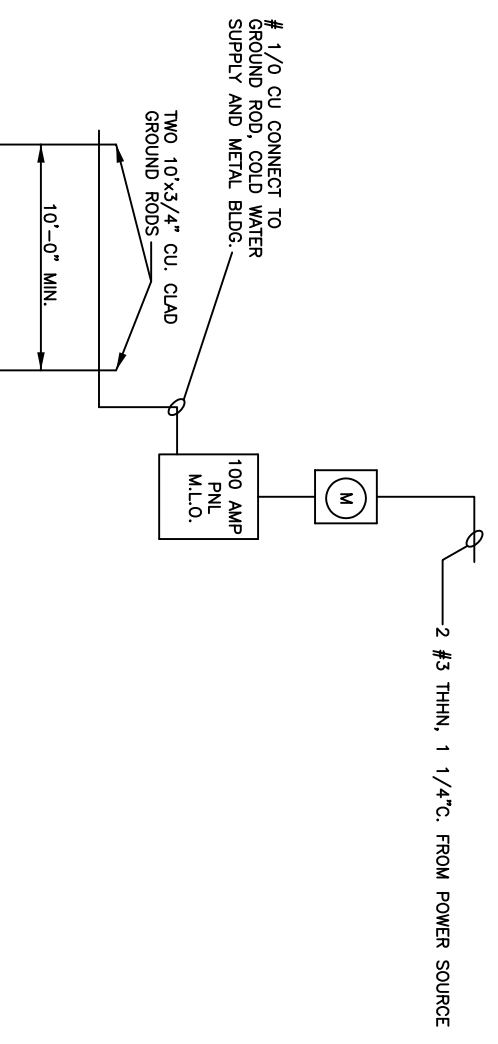


LIGHTING PLAN
SCALE: N.T.S.

PANEL A		PANEL B		PANEL C		PANEL D	
REQ.	LOCATION	REQ.	LOCATION	REQ.	LOCATION	REQ.	LOCATION
1	OUTLET LEFT SIDE	20	1	20	1	20	1
2	OUTLET RIGHT SIDE	20	1	20	1	20	1
3	OUTLET FRONT SIDE	20	1	20	1	20	1
4	OUTLET REAR SIDE	20	1	20	1	20	1
5	OUTLET CENTER	20	1	20	1	20	1
6	OUTLET CORNER	20	1	20	1	20	1
7	SPACE	20	1	20	1	20	1
8	SPACE	20	1	20	1	20	1
9	SPACE	20	1	20	1	20	1
10	SPACE	20	1	20	1	20	1
11	SPACE	20	1	20	1	20	1
12	SPACE	20	1	20	1	20	1
13	SPACE	20	1	20	1	20	1
14	SPACE	20	1	20	1	20	1
15	SPACE	20	1	20	1	20	1
16	SPACE	20	1	20	1	20	1
17	SPACE	20	1	20	1	20	1
18	SPACE	20	1	20	1	20	1
19	SPACE	20	1	20	1	20	1
20	SPACE	20	1	20	1	20	1
21	SPACE	20	1	20	1	20	1
22	SPACE	20	1	20	1	20	1
TOTAL CONNECTED LOAD (VA)		3040		3040		3040	

LEGEND

- ⬇ - EMERGENCY LIGHT W/ 90 MIN. BATTERY BACKUP
- ⬇ - EXIT LIGHT W/90 MIN. BATTERY BACK-UP
- ⬇ - 3 WAY SWITCH
- ⬇ - HIGH PRESSURE SODIUM LIGHTS
- ⊙ - METAL HALIDE LIGHTS
- ⊙ - GF/W/WEATHERPROOF RECEPTACLE
- ⬇ - POWER PANEL



ELECTRICAL RISER DIAGRAM
N.T.S.

ELECTRICAL NOTES

1. ALL WORK SHALL CONFORM TO THE LATEST EDITION OF THE NATIONAL ELECTRICAL CODE, THE GOVERNING ELECTRICAL CODE AND ALL OTHERS. ALL OTHERS INSPECTION DEPARTMENTS HAVING JURISDICTION, OBTAIN CERTIFICATES OR APPROVAL WHERE REQUIRED.
2. ALL MATERIALS FURNISHED SHALL BE NEW AND SHALL BE U.L. LISTED.
3. THE DRAWINGS INDICATE SIZE AND GENERAL LOCATION OF WORK. SCALE DIMENSIONS SHALL NOT BE USED. THE EXACT LOCATION AND ELEVATION OF ALL LIGHTING FIXTURES, RECEPTACLES AND TELEPHONE OUTLETS, ETC. SHALL BE DETERMINED BY ACTUAL CONDITIONS IN THE FIELD, UNLESS NOTED OTHERWISE.
4. PRIOR TO BIDDING, CONTRACTOR SHALL VISIT THE JOB SITE AND FAMILIARIZE THEMSELVES WITH THE EXISTING CONDITIONS.
5. ELECTRICAL CONTRACTOR SHALL COORDINATE HIS WORK WITH OTHER TRADES AND WITH OTHER CONTRACTORS WHOSE WORK MAY AFFECT THIS INSTALLATION.
6. ELECTRICAL CONTRACTOR SHALL COORDINATE INCOMING ELECTRICAL SERVICE WITH UTILITY COMPANY AND INCLUDE IN HIS BID ALL CHARGES AND FEES INCURRED IN MODIFICATIONS.
7. WHERE MORE THAN ONE SWITCH OCCURS IN THE SAME LOCATION, THEY SHALL BE INSTALLED IN A GANG TYPE BOX UNDER ONE COVER PLATE.
8. ELECTRICAL CONTRACTOR SHALL COORDINATE THE TELEPHONE INSTALLATION WITH THE TELEPHONE COMPANY AND THE GENERAL CONTRACTOR.
9. ELECTRICAL CONTRACTOR, BEFORE INSTALLING ANY OF THE WORK, SHALL SEE THAT IT DOES NOT INTERFERE WITH CLEARANCES REQUIRED FOR FINISHED COLUMNS, HUNG CEILING, PLASTER, PARTITIONS, WALLS, ETC. AS SHOWN IN THE ARCHITECTURAL DRAWINGS AND DETAILS. IF ANY WORK IS INSTALLED AND IT LATER DEVELOPS THAT SUCH DETAILS OR DESIGN CANNOT BE FOLLOWED, THE CONTRACTOR, AT HIS OWN RISK, SHALL BE RESPONSIBLE FOR THE CORRECTION OF THE WORK. THE CONTRACTOR SHALL AS WELL AS TO REPAIR THE INSTALLATION OF THE ARCHITECTURAL WORK AS SHOWN ON THE PLANS AND DETAILS.
10. PERFORM TEST REQUIRED BY THE OWNER OR THE ENGINEER IN CONNECTION WITH THE OPERATION OF THE ELECTRICAL SYSTEM IN THE BUILDING.
11. ALL TESTS SHALL BE MADE IN ACCORDANCE WITH THE LATEST STANDARD OF THE IEEE AND THE NATIONAL ELECTRICAL CODE.
12. MINIMUM CONDUCTOR SIZE SHALL BE #12, 600V INSULATION, MINIMUM SIZE CONDUIT SHALL BE 3/4" EMT FOR INTERIOR USE, AND 3/4" RIBBID ALUMINUM FOR EXTERIOR USE. USE TYPE NMC CABLE COPPER, FOR LIGHTS & RECEPTACLE CIRCUITS.
13. EXTERIOR FITTINGS SHALL BE CAST BOXES AND COVERS. INTERIOR FITTINGS SHALL BE CAST WHERE EXPOSED ON WALLS. STAMPED BOXES MAY BE USED ABOVE CEILING IN AIR CONDITIONED SPACES.
14. CONTRACTOR SHALL INSTALL WIRING AND OTHER CIRCUIT COMPONENTS TO MATCH EQUIPMENT ACTUALLY INSTALLED.
15. INSTALL GROUND FAULT RECEPTACLES AT RECEPTACLE LOCATIONS WITHIN 5' OF ALL RECEPTACLES AND RECEPTACLE LOCATIONS. EXTERIOR RECEPTACLES SHALL ALSO BE WEATHERPROOF.
16. BONDING AND GROUNDING SHALL BE IN ACCORDANCE WITH NFPA 70:250-63, NFPA 250-23, 250-71, & 250-72.
17. GROUND NEUTRAL, IN ACCORDANCE WITH NFPA 70:250-23b.
18. FUSES SHALL BE ITC CLASS K5, 250 VOLT, 200,000 AMP INTERRUPTING CAP.
19. PROVIDE SERVICES OF A FIRE/SMOKE DETECTION & ALARM COMPANY TO DESIGN & INSTALL ALARM SYSTEM TO MEET REQUIREMENTS OF THE STATE FIRE MARSHALL.
20. EXTERIOR LIGHTING SHALL BE SHIELDED AND WIRE LOCATED IN THE FIRE MARSHALL'S APPROVED MANNER. ALL EXTERIOR LIGHTING SHALL BE SHIELDED AND WIRE LOCATED IN THE FIRE MARSHALL'S APPROVED MANNER. LIGHTING SHALL NOT EXCEED ONE FOOT CANDELA AS MEASURED AT THE ABUTTING PROPERTY LINE.
21. ALL ELECTRICAL, MECHANICAL, & PLUMBING PENETRATING FIRE PARTITIONS SHALL BE FIRE CALKED. (PENETRATIONS THROUGH RATED CONSTRUCTION SHALL BE SEALED WITH A MATERIAL CAPABLE OF PREVENTING THE PASSAGE OF FLAMES AND HOT GASES WHEN TESTED IN ACCORDANCE WITH ASTM-E814.)

POWER/LIGHTING PLAN
U.S. FISH & WILDLIFE SERVICE
215 OFFSHORE SHIPYARD ROAD
VENICE LA. 70091

U.S. FISH & WILDLIFE SERVICE
DAMMON ENGINEERING, INC.
1095 FLORIDA AVENUE 985-649-5832 SLIDELL, LA. 70458
DAMMONENGINEERING.COM

SCALE: AS NOTED
FILE: _____
JOB NO. _____
DATE: 05-31-07
SHEET **E-1** OF _____