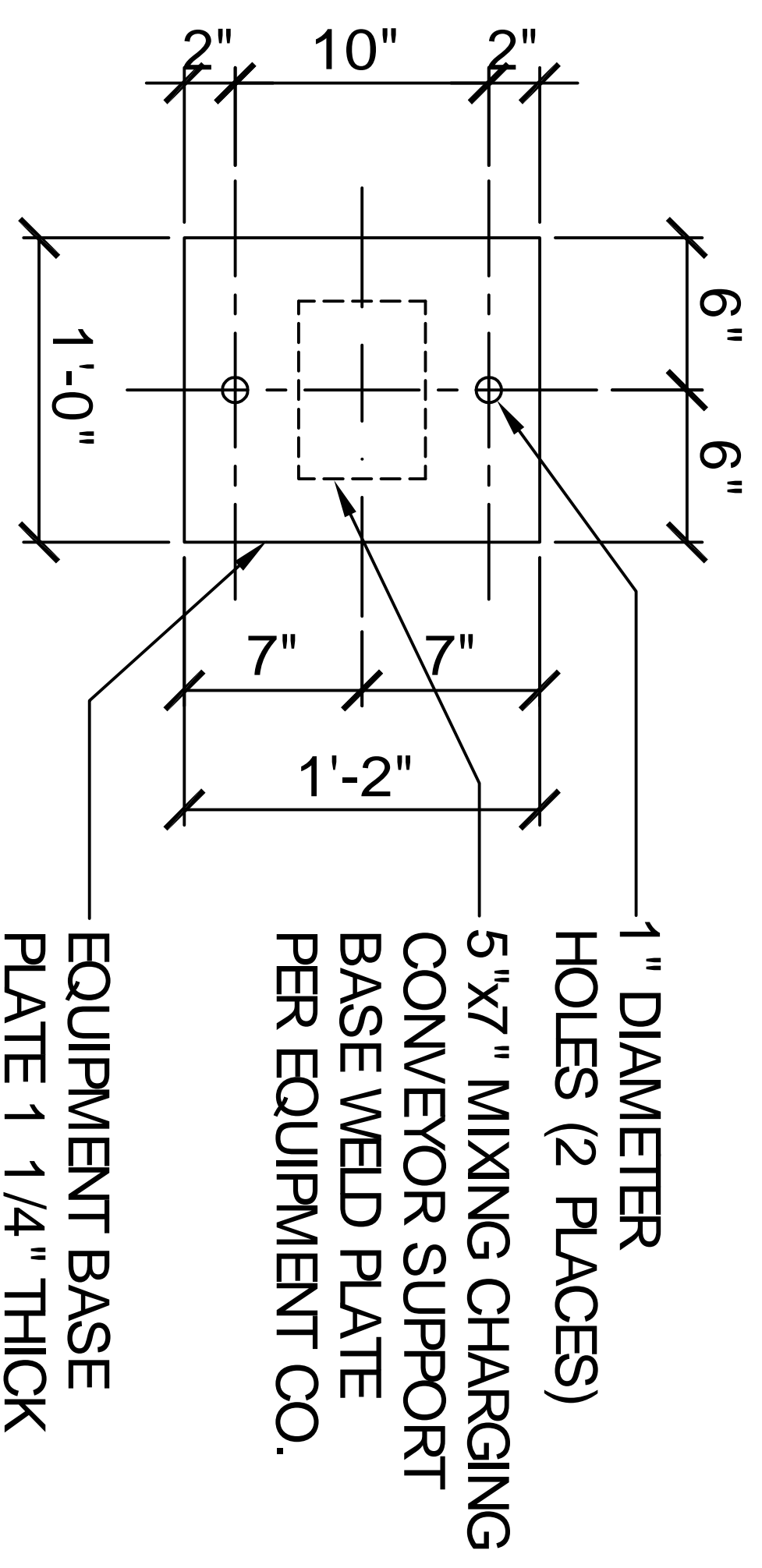
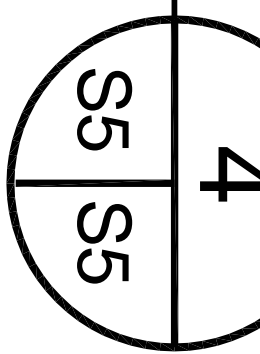


### BASE PLATE DETAIL

SCALE: 1"=1'  
(TYPICAL - 6 PLACES)

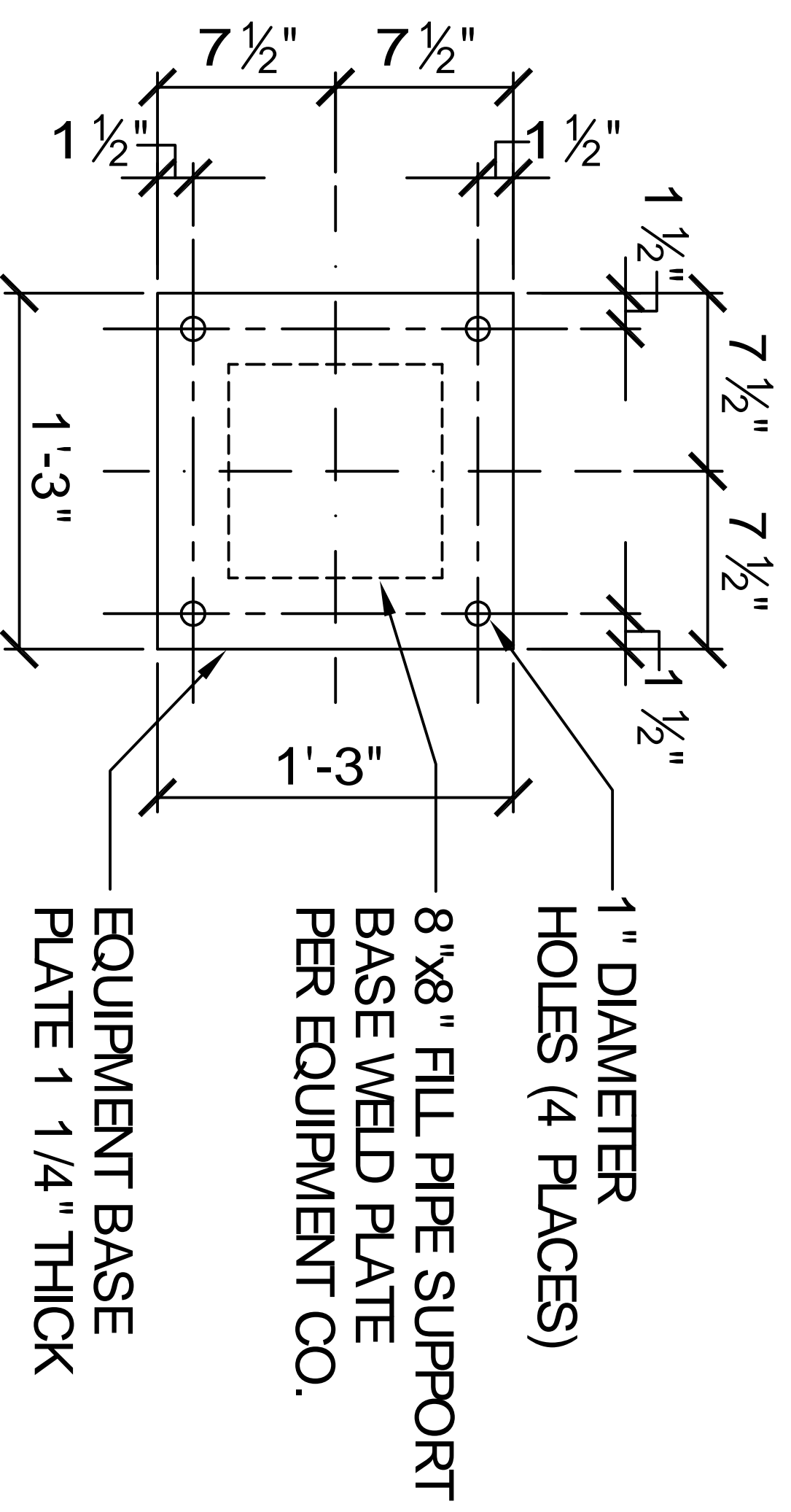
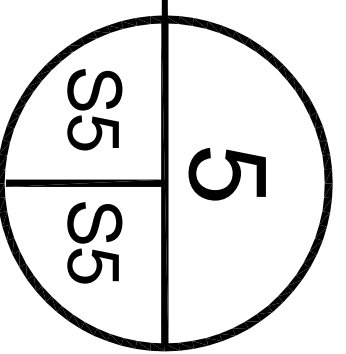


1" DIAMETER HOLES (2 PLACES)  
5"X7" MIXING CHARGING CONVEYOR SUPPORT BASE WELD PLATE PER EQUIPMENT CO.

EQUIPMENT BASE PLATE 1 1/4" THICK

### BASE PLATE DETAIL

SCALE: 1"=1'  
(TYPICAL - 6 PLACES)

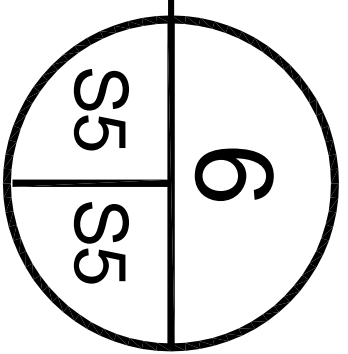


1" DIAMETER HOLES (4 PLACES)  
8"X8" FILL PIPE SUPPORT BASE WELD PLATE PER EQUIPMENT CO.

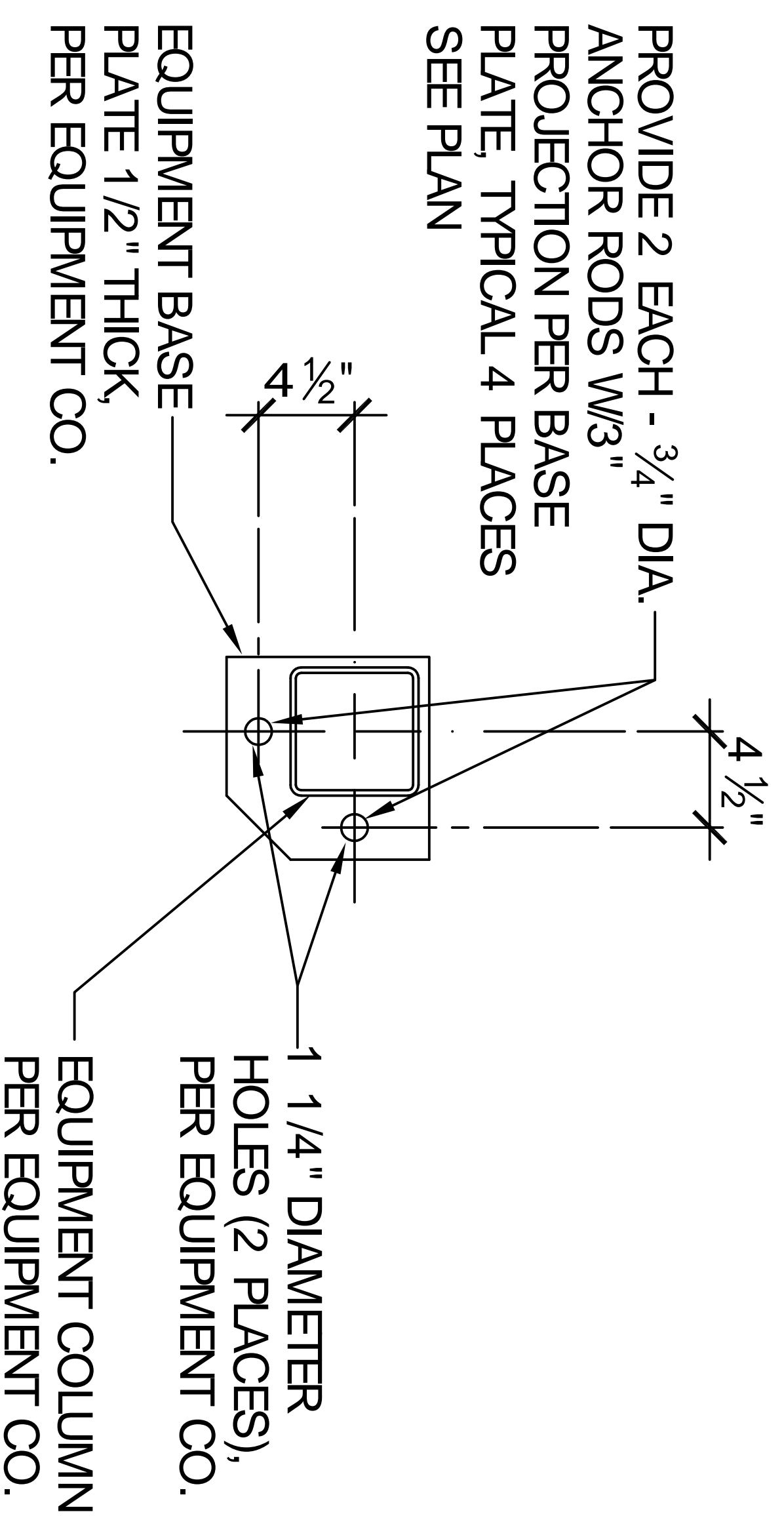
EQUIPMENT BASE PLATE 1 1/4" THICK

### BASE PLATE DETAIL

SCALE: 1"=1'  
(TYPICAL - 6 PLACES)



PROVIDE 2 EACH - 3/4" DIA. ANCHOR RODS W/3" PROJECTION PER BASE PLATE, TYPICAL 4 PLACES SEE PLAN



1 1/4" DIAMETER HOLES (2 PLACES), PER EQUIPMENT CO.  
EQUIPMENT COLUMN PER EQUIPMENT CO.

### CON-E-CO

### BASE PLATE DETAIL

SCALE: 1"=1'  
(TYPICAL - 4 PLACES)

