

DAMMON
ENGINEERING, INC.

CHIEF ENGINEER
EMMETT
DAMMON, P.E.

CHIEF ARCHITECT
ROBERT
WILTSE

1095 FLORIDA AVENUE
SLIDELL, LA, 70456
OFFICE: 985-649-5332
FAX: 985-641-5950

WEBSITE:
WWW.DAMMONENGINEERING.COM
EMAIL:
DAMMONENG@BELL-SOUTH.NET

ARCHITECTURE
ENGINEERING
STUDIES
PLANNING
INVESTIGATION
EXPERT WITNESS

NEW DAY
CARE CENTER

FRIEDA
TORREGANO
CARROLL RD.
SLIDELL, LA
70458

POWER
PLAN

REV:

SCALE AS NOTED

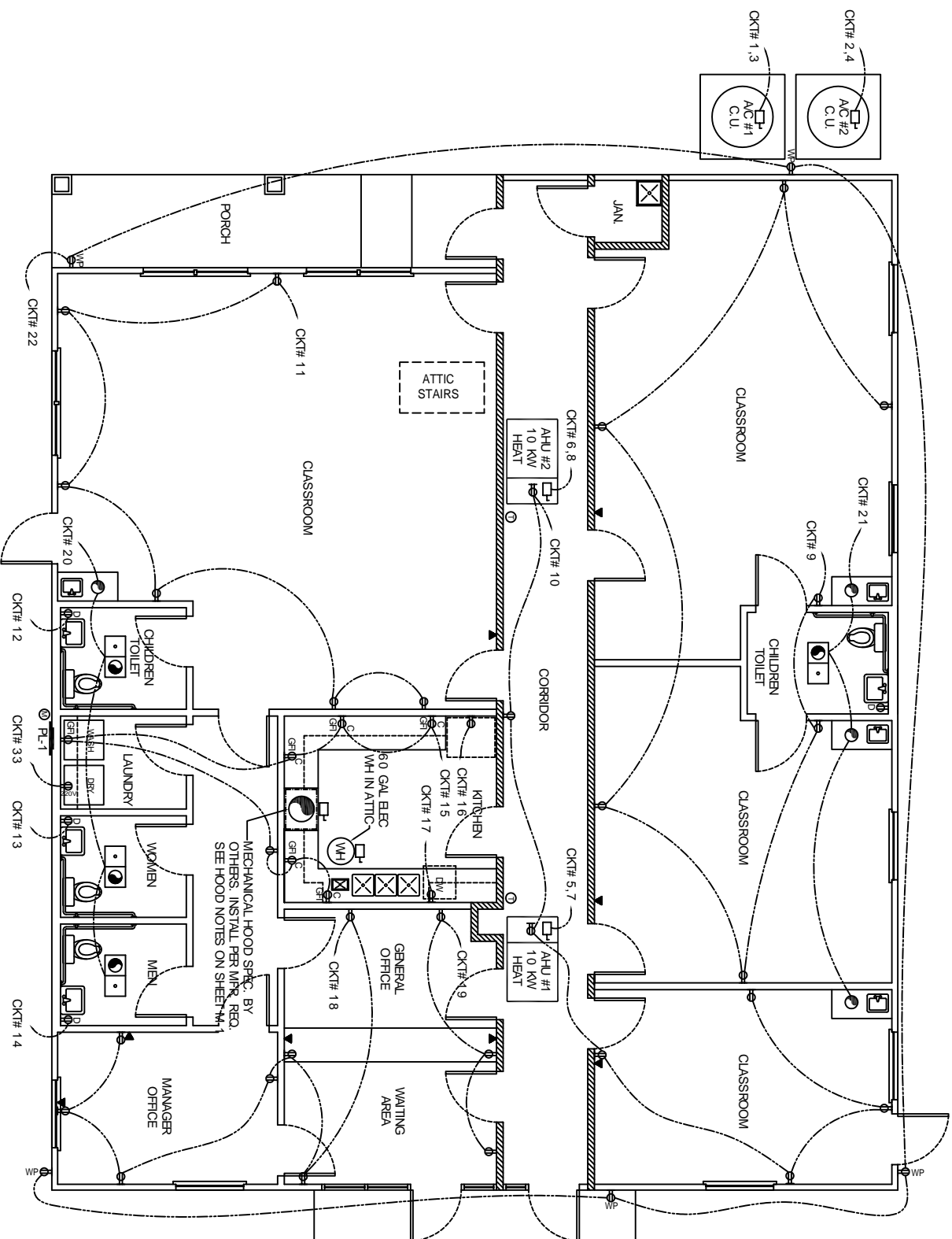
JOB#: 1991

DATE: 8-19-08

SHEET

OF

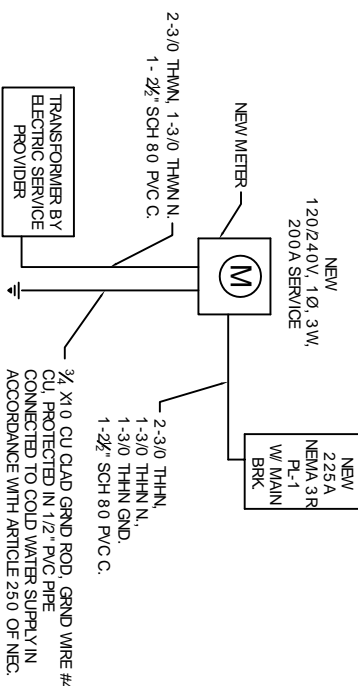
E-1



LEGEND

- ⊠ - DISCONNECT
- ⊡ - POWER PANEL
- ⊙ - THERMOSTAT
- ⊕ - 60 GAL. ELEC. WATER HEATER
- ⊖ - VENTILIGHT
- ⊗ - ELEC. SERVICE METER
- ⊕ - 120V, 20A DUPLEX RECEPTACLE
- ⊕ - 120V, GFI RECEPTACLE
- ⊕ - 120V, DEDICATED RECEPTACLE
- ⊕ - 120V, RECEPTACLE AT COUNTER HEIGHT
- ⊕ - 120V, WEATHERPROOF RECEPTACLE
- ⊕ - TELEPHONE / COMPUTER
- ⊕ - EXHAUST FAN

POWER PLAN
SCALE 1/4" = 1'-0"



ELECTRICAL ONE LINE
SCALE: N.T.S.

CT	THHN WIRE SIZE	LOAD DESCRIPTION	BRK/BLD	LOAD	CT	THHN WIRE SIZE	LOAD DESCRIPTION	BRK/BLD	LOAD	
NO.			TYPE	(VA)				TYPE	(VA)	
1	48	AC #1 COMPRESSOR UNIT	2	3485	48	2	AC #1 COMPRESSOR UNIT	2	3485	
3	48	AC #2 COMPRESSOR UNIT	2	3485	48	2	AC #2 COMPRESSOR UNIT	2	3485	
5	48	AHU #1	1	5000	48	1	AHU #1	1	5000	
7	48	1Ø 60V ELEC. HEAT	1	5000	48	1	1Ø 60V ELEC. HEAT	1	5000	
9	412	CLASSROOM RECEPTACLES	20	1200	412	20	CLASSROOM / AUL SERVICE REPT.	20	1200	
11	412	CLASSROOM RECEPTACLES	20	1200	412	20	CHILDREN TOILET GFI REPT.	20	1200	
13	412	WOMEN'S TOILET GFI REPT.	20	1000	412	20	WOMEN'S TOILET GFI REPT.	20	1000	
15	412	GENERAL OFFICE REPT.	20	1000	412	20	GENERAL OFFICE REPT.	20	1000	
17	412	TOILET RM. VENT LIGHT & GASSRN.	20	1200	412	20	TOILET RM. VENT LIGHT & GASSRN.	20	1200	
19	412	GENERAL OFFICE REPT.	20	1000	412	20	GENERAL OFFICE REPT.	20	1000	
21	412	TOILET RM. VENT LIGHT & GASSRN.	20	1200	412	20	TOILET RM. VENT LIGHT & GASSRN.	20	1200	
23	412	CLASSROOM AND BRK	20	1000	412	20	CLASSROOM AND BRK	20	1000	
25	412	PORTA COULURE	20	1000	412	20	PORTA COULURE	20	1000	
27	412	PORTA COULURE LIGHTING	20	1000	412	20	PORTA COULURE LIGHTING	20	1000	
29	412	CLASSROOM CONTROLLER AND BRK	20	1000	412	20	CLASSROOM CONTROLLER AND BRK	20	1000	
31	412	CHILDREN TOILET RECEPTACLES	20	1000	412	20	CHILDREN TOILET RECEPTACLES	20	1000	
33	412	CHILDREN TOILET RECEPTACLES	20	1000	412	20	CHILDREN TOILET RECEPTACLES	20	1000	
35	412	DRINK OUTLET	20	1000	412	20	DRINK OUTLET	20	1000	
37	412	SHRNE	20	1000	412	20	SHRNE	20	1000	
39	412	SHRNE	20	1000	412	20	SHRNE	20	1000	
41	412	BLANK	-	-	412	-	BLANK	-	-	
42	412	BLANK	-	-	412	-	BLANK	-	-	
				TOTAL CONNECTED LOAD (VA)					TOTAL CONNECTED LOAD (VA)	
				466,320.00					466,320.00	
				BRK. 34880					BRK. 34880	

PANEL: P-1
LOCATION: NORTH EXTERIOR WALL
FEDER SOURCE: CLEO

VOLTAGE: 120/240V, 1Ø, 3W, W/225A MAIN BRK
NOTES: SUPPLEMENTARY EQUIPMENT (SUD BR)
SOURCE: THE QD LOAD CENTER ON EQUAL

GROUNDING: 3/4" X10 CU GAD GRND ROD, GRND WIRE #4 CU, PROTECTED IN 1/2" PVC PIPE CONNECTED TO COLD WATER SUPPLY IN ACCORDANCE WITH ARTICLE 250 OF NEC.