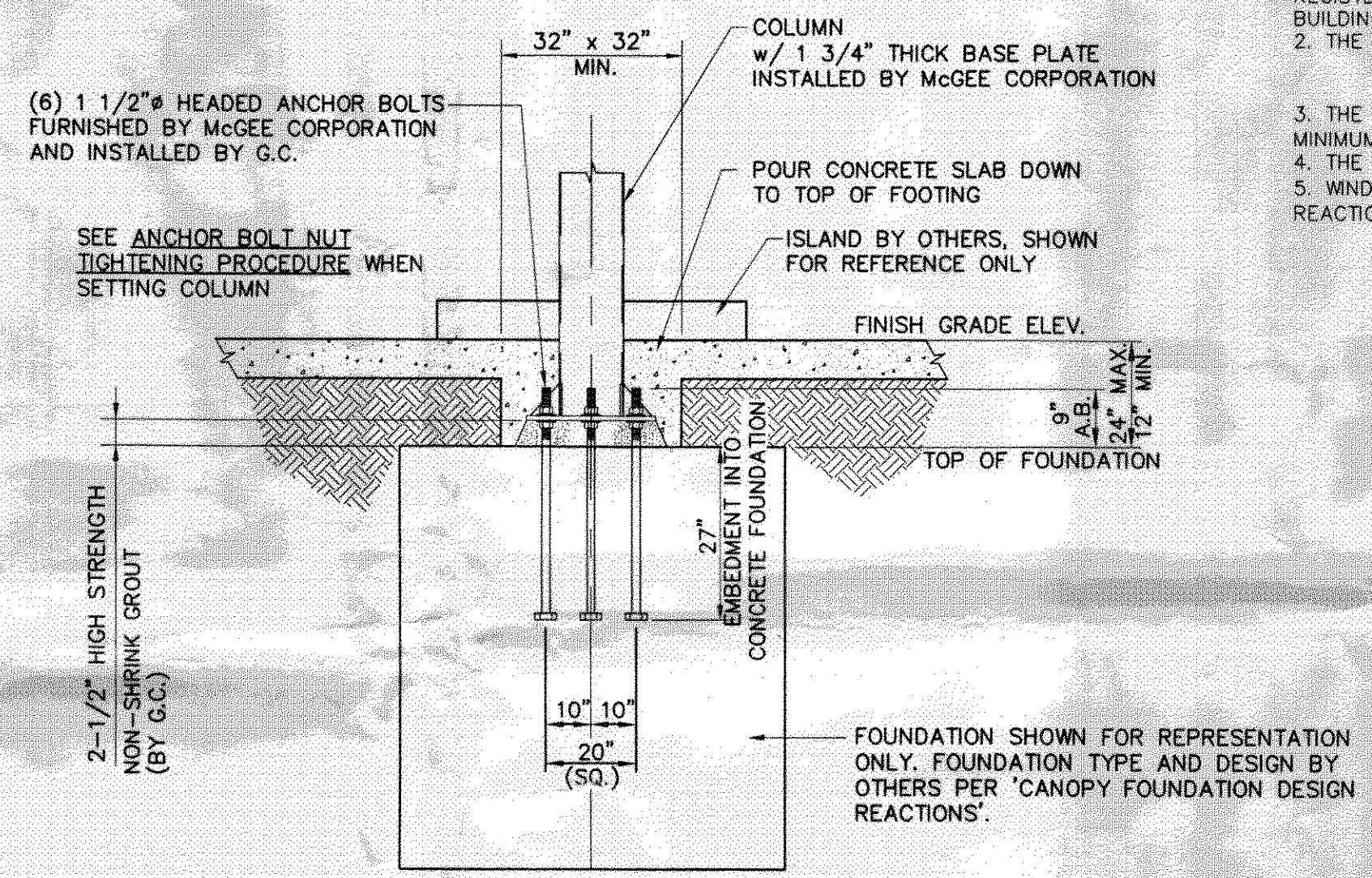
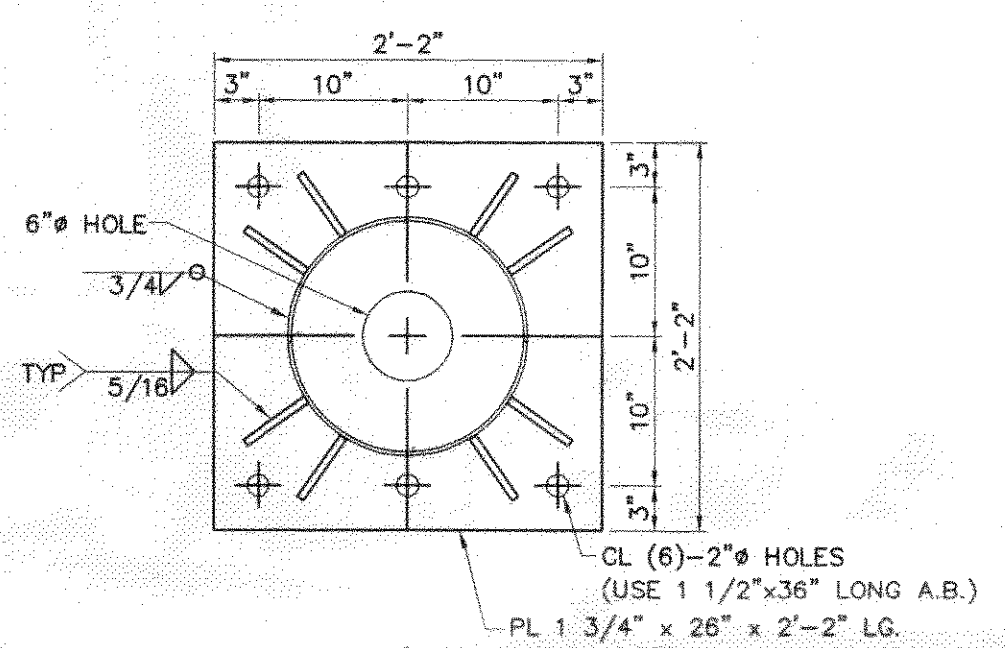
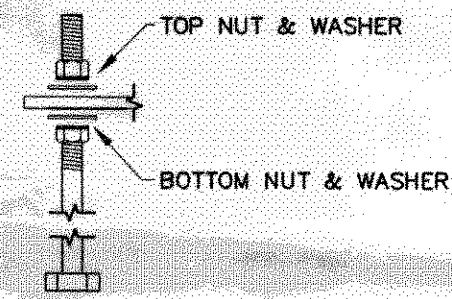


**FOUNDATION DESIGN NOTES:**

- THE CANOPY FOUNDATION SHALL BE DESIGNED FOR THE REACTIONS PROVIDED ABOVE BY A STRUCTURAL ENGINEER CURRENTLY REGISTERED IN LOUISIANA. THE FOUNDATION SHALL BE DESIGNED PER THE GEOTECHNICAL REPORT AND THE 2006 INTERNATIONAL BUILDING CODE.
- THE CONCRETE UTILIZED SHALL MEET THE FOLLOWING MINIMUM SPECIFICATIONS:  
COMPRESSION STRENGTH,  $f'_c = 4000$  PSI  
UNIT WEIGHT = 145 PCF
- THE CANOPY COLUMNS SHALL BEAR DIRECTLY ON THE FOUNDATION. THE FOUNDATION SHALL HAVE A MINIMUM PLAN DIMENSION OF 84" (32" MINIMUM ANCHOR BOLT EDGE DISTANCE) AND A MINIMUM THICKNESS OF 32" FOR ANCHOR BOLT EMBEDMENT.
- THE MAXIMUM VERTICAL DISTANCE FROM THE FINISHED GRADE ELEVATION TO THE TOP OF THE FOUNDATION SHALL BE 24 INCHES.
- WIND / SEISMIC REACTIONS SHALL BE APPLIED SIMULTANEOUSLY IN EITHER THE TRANSVERSE OR LONGITUDINAL DIRECTIONS. WIND / SEISMIC REACTIONS CAN ACT IN EITHER THE UP / DOWN OR LEFT / RIGHT DIRECTIONS.

**ANCHOR BOLT NUT TIGHTENING PROCEDURE:**  
SET AND PLUMB THE COLUMN, PER AISC ERECTION PROVISIONS, WITH DOUBLE NUTS ON THE REQUIRED NUMBER OF ANCHOR BOLTS. THE BOTTOM NUT SHALL HAVE A FLAT WASHER BETWEEN THE BOTTOM OF BASEPLATE AND THE TOP OF THE NUT. THE TOP NUT SHALL HAVE A WASHER BETWEEN THE TOP OF BASEPLATE AND THE BOTTOM OF THE NUT. AFTER THE COLUMN IS SET AND PLUMB, TIGHTEN THE TOP NUT TO A SNUG TIGHT CONDITION WITH TOP OF THE BASEPLATE (FULL EFFORT OF A MAN ON A WRENCH).



**DETAIL F1**  
REV. 01/22/03

PLEASE REVIEW ALL DRAWINGS, SIGN AND RETURN FOR FABRICATION OF CANOPY

<b>CANOPY SIZE</b>	<input type="checkbox"/> APPROVED AS SUBMITTED
	<input type="checkbox"/> APPROVED WITH NOTED CHANGES
<b>COLUMN SPACING</b>	<input type="checkbox"/> APPROVED AS SUBMITTED
	<input type="checkbox"/> APPROVED WITH NOTED CHANGES
<b>CLEARANCE</b>	<input type="checkbox"/> APPROVED AS SUBMITTED
	<input type="checkbox"/> APPROVED WITH NOTED CHANGES
<b>SIGNAGE</b>	<input type="checkbox"/> NUMBER APPROVED AS SUBMITTED
	<input type="checkbox"/> LAYOUT APPROVED AS SUBMITTED
	<input type="checkbox"/> APPROVED WITH NOTED CHANGES
<b>DECALS</b>	<input type="checkbox"/> APPROVED AS SUBMITTED
	<input type="checkbox"/> APPROVED WITH NOTED CHANGES
<b>LIGHTS</b>	<input type="checkbox"/> NUMBER APPROVED AS SUBMITTED
	<input type="checkbox"/> LAYOUT APPROVED AS SUBMITTED
	<input type="checkbox"/> APPROVED WITH NOTED CHANGES

ELEVATION FORMS FORWARDED TO GENERAL CONTRACTOR

APPROVED BY: \_\_\_\_\_ DATE: \_\_\_\_\_

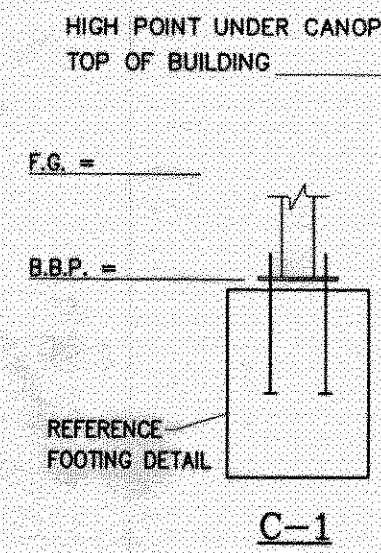
NOTE: SIGNED SALES ORDER, APPROVAL DRAWINGS, AND A COMPLETED ELEVATION FORM MUST BE RECEIVED AT LEAST 3 WEEKS PRIOR TO DELIVERY OF ANY CANOPY MATERIALS. REQUESTED DELIVERY DATE: \_\_\_\_\_

**SITE CONDITIONS / REQUIREMENTS**

- PROVIDE A DRIVE ACCESSIBLE AREA TO WITHIN 15'-0" FROM THE EDGE OF CANOPY FASCIA IN ORDER TO UNLOAD MATERIALS AND PERFORM WORK.
- FILL ALL OPEN TANK HOLES AND TRENCHES WITHIN 15'-0" FROM THE EDGE OF CANOPY FASCIA FROM THE TIME THAT THE STRUCTURE ARRIVES AND UNTIL ERECTION IS COMPLETE.
- THE JOB SITE MUST BE GRADED LEVEL WITH NO SWELLS, DITCHES, OR TOPOGRAPHICAL IRREGULARITIES WITHIN 15'-0" FROM THE EDGE OF CANOPY FASCIA. ANY CONCRETE POURED PRIOR TO MCGEE'S ARRIVAL MUST HAVE HAD AMPLE TIME TO CURE AND BE ABLE TO SUPPORT THE WEIGHT OF MCGEE'S TRAILERS AND CRANES.
- THE JOB SITE MUST BE DRY ENOUGH FOR MCGEE'S VEHICLES AND PERSONNEL TO PERFORM WORK. IF NECESSARY THE GENERAL CONTRACTOR SHOULD LAY GRAVEL IN EXCESSIVELY MUDDY AREAS TO ENSURE ADEQUATE WORK CONDITIONS.
- POURED CONCRETE PAVING UNDER THE CANOPY TO BE EXCLUSIVELY FOR WORK SPACE AND STORAGE OF MATERIALS.
- REMOVE ALL OVERHEAD OBSTRUCTIONS.
- FORM, SET, AND POUR FOUNDATIONS PER MCGEE'S SITE SPECIFIC APPROVED FOUNDATION PLAN. ALL FORMS SHALL BE REMOVED PRIOR TO MCGEE'S ARRIVAL. ALL THREADS SHALL BE FREE FROM DEBRIS AND DUST AND SHALL BE ACCESSIBLE.
- INSTALL ALL ANCHOR BOLTS W/ NUTS. SET AT PROPER ELEVATIONS WITH NO MORE THAN 1/4" TOLERANCE.
- PROVIDE TEMPORARY POWER SOURCE (110 VOLTS) WITHIN 100 FEET OF THE STRUCTURE FOR INSTALLERS USE.
- OBTAIN ALL REQUIRED PERMITS FROM LOCAL AUTHORITIES AND ARRANGE ALL LOCAL INSPECTIONS.
- VERIFY ALL EXISTING CONDITIONS AND DIMENSIONS. ANY DEVIATIONS FROM THESE DRAWINGS DUE TO FIELD CONDITIONS SHALL BE BROUGHT TO THE ATTENTION OF THE PROJECT ENGINEER FOR MODIFICATIONS.

**LEGEND**

F.G. = FINISHED GRADE (DRIVE SLAB AT COL.)  
F.F. = FINISHED FLOOR  
B.B.P. = BOTTOM OF BASE PLATE  
T.O.I. = TOP OF ISLAND  
T.O.F. = TOP OF FOOTING



COLUMN NO.	FINISH GRADE	BOTTOM OF BASEPLATE
C-1	F.G. = 0"	B.B.P. = TBD
C-2	F.G. = 0"	B.B.P. = TBD
C-3	F.G. = 0"	B.B.P. = TBD

**GENERAL NOTES**

- A307 ANCHOR BOLTS & WOOD TEMPLATES SHALL BE FURNISHED BY MCGEE CORP.
- STRUCTURAL STEEL SHALL CONFORM TO:  
Wide Flange Beams - ASTM A992, Grade 50, Fy = 50 KSI  
Angle and Channel - ASTM A36, Fy = 36 KSI  
Plate - ASTM A36, Fy = 36 KSI  
HSS - ASTM A500 SHAPED, Grade C, Fy = 50 KSI  
ASTM A500 ROUND, Grade C, Fy = 46 KSI
- ALL WELDED CONNECTIONS SHALL BE MADE IN ACCORDANCE WITH LATEST AWS SPECIFICATIONS, USING E70XX ELECTRODES. ALL WELDING SHALL BE PERFORMED BY AN AWS CERTIFIED WELDER.
- BOLTS SHALL CONFORM TO ASTM A325-N FOR STRUCTURAL STEEL BEARING AND TENSION CONNECTIONS. BOLTS SHALL BE TIGHTENED PER METHOD 1 OR 2 AS NOTED.
- ERECTION OF STEEL STRUCTURE SHALL BE PERFORMED PER ALL AMERICAN INSTITUTE OF STEEL CONSTRUCTION (AISC) ERECTION PROVISIONS.
- STRUCTURAL AND MISCELLANEOUS STEEL SUBJECTED TO EXTERIOR EXPOSURE HAS BEEN PRIMED COATED ONLY. FIELD TOUCH-UP, FINISH PAINTING AND MAINTENANCE ARE THE RESPONSIBILITY OF THE OWNER. LIGHT GAUGE COLD FORMED SHAPES SHALL CONFORM TO ASTM A653 AND ASTM C-955. ALL MEMBERS SHALL BE FORMED FROM MATERIAL HAVING A 50 KSI MINIMUM YIELD STRENGTH.
- STRUCTURAL DESIGN CRITERIA:  
Governing Codes = 2006 IBC AND ASCE 7-05  
Roof Live Load = 20 PSF  
Roof Snow Load = 0 PSF (Flat Roof + Drifting)  
Roof Snow Design:  
Ground Snow Load - Pg = 0 PSF  
Flat roof Snow Load - Pf = 0 PSF  
Exposure Factor - Ce = 1.0  
Importance Factor - I = 1.0  
Thermal Factor - Ct = 1.2  
Wind Design:  
Basic Wind Speed (3 Sec. Gust) - V = 130 MPH  
Importance Factor - I = 1.0  
Exposure - "B"  
Earthquake Design:  
Importance Factor - I = 1.0  
Site Class - D  
Spectral Response Coefficients -  
Ss = 0.110 g Fa = 1.60 Sds = 0.117 g  
S1 = 0.048 g Fv = 2.40 Sd1 = 0.076 g  
Seismic Design Category - B  
Basic Seismic - Force - Resisting System -  
Cantilevered Column System  
Ordinary Steel Moment Frames  
Response Modification Coefficient - R = 1 1/4  
System Overstrength Factor - Om = 1 1/4  
Deflection Amplification Factor - Cd = 1 1/4  
Analysis - Equivalent Lateral Force Procedure  
Seismic Base Shear (V) = 1.9k

Larry R. Brock, Jr.  
Structural Engineering Services  
Telephone (704) 882-1500 3108 Shady Grove Lane  
Facsimile (704) 882-3263 Matthews, NC 28104

**MCGEE CORPORATION**  
12701 East Independence Blvd., P.O. Box 1375  
Matthews, NC 28106-1375  
Phone: (704) 882-1500  
Fax: (704) 882-3263

**GENERAL MAINTENANCE CORP**  
2035 GENTILLY BLVD  
NEW ORLEANS, LA (ORLEANS)

SCALE: 3/16"=1'-0" IN ACCORDANCE WITH REV. LETTER: \_\_\_\_\_  
DATE: 4/20/09 DRAWN BY: JWG CHK'D BY: \_\_\_\_\_

**METAL CANOPY 24'-0" x 70'-4"**  
FOUNDATION PLAN

DATE: 4/20/09 SHEET NO. 1 OF 3