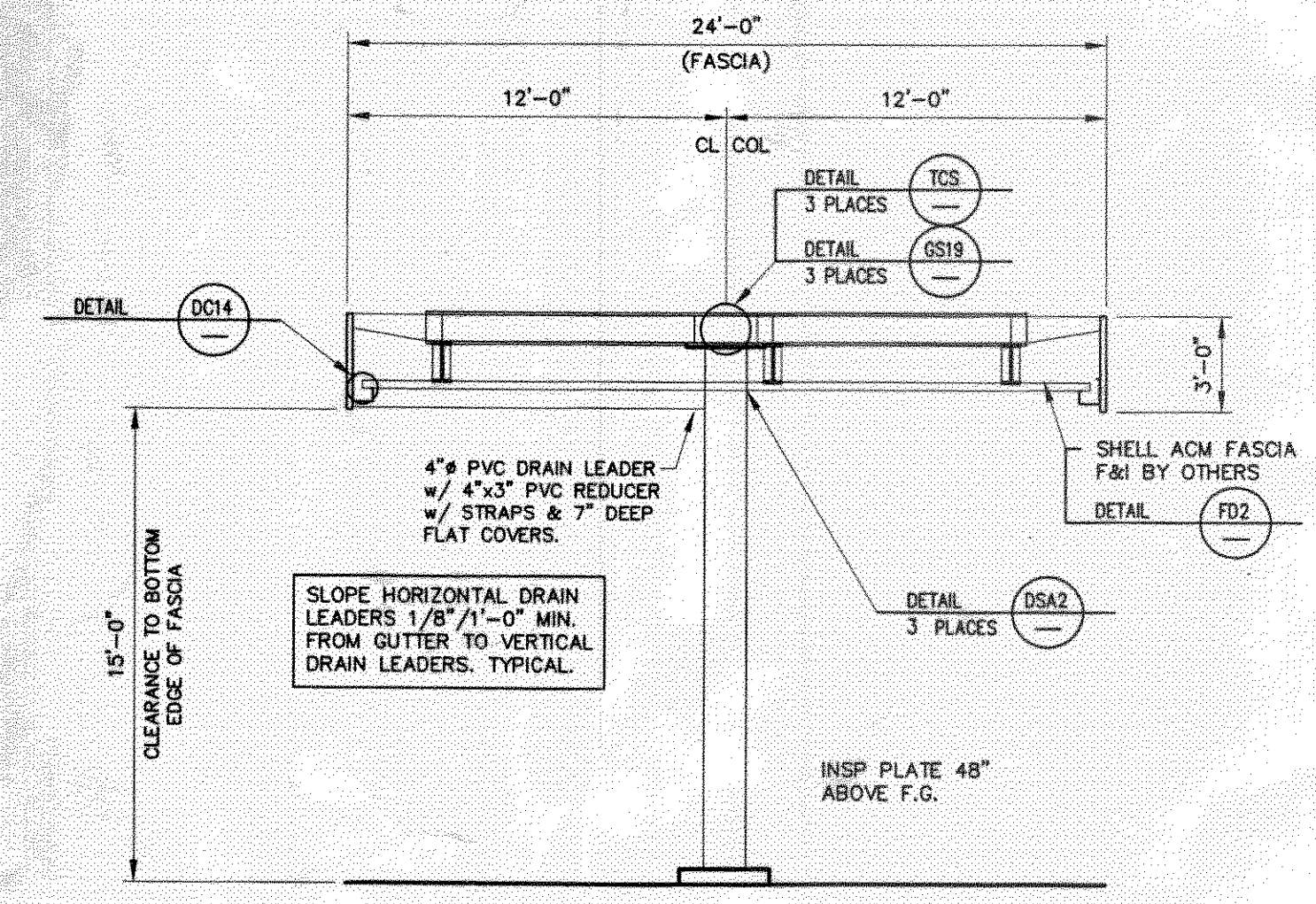
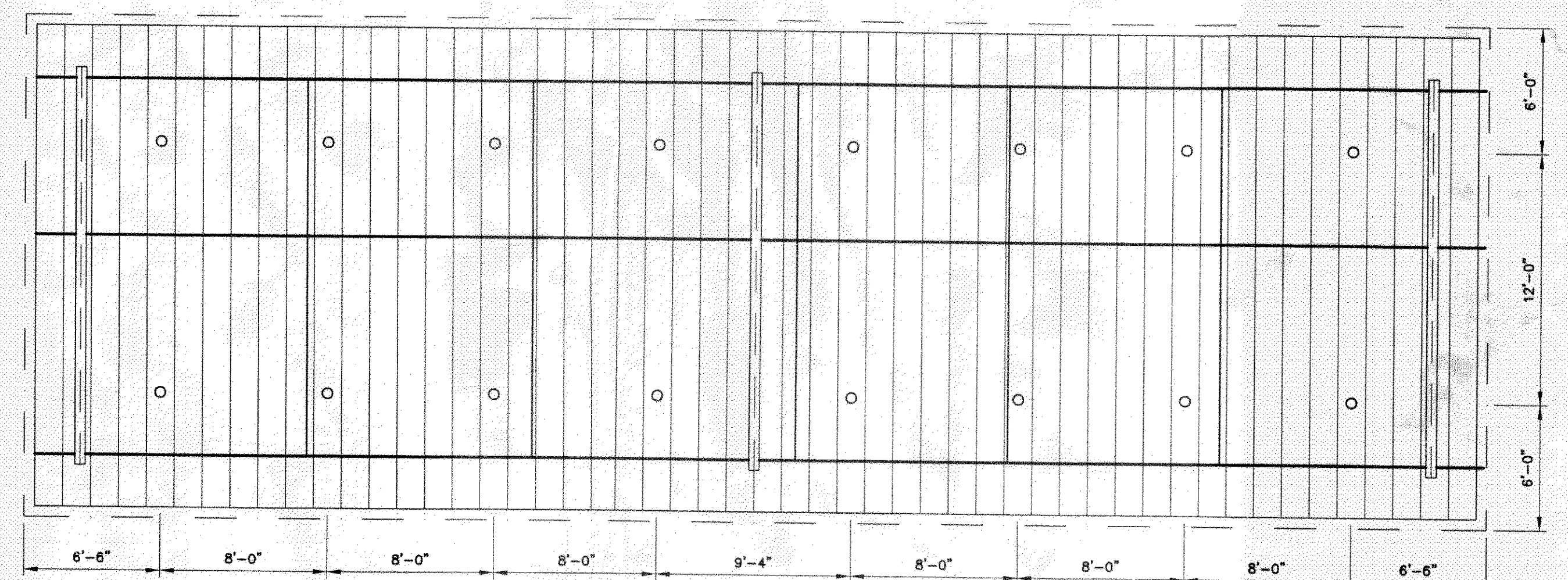


CANOPY ROOF PLAN

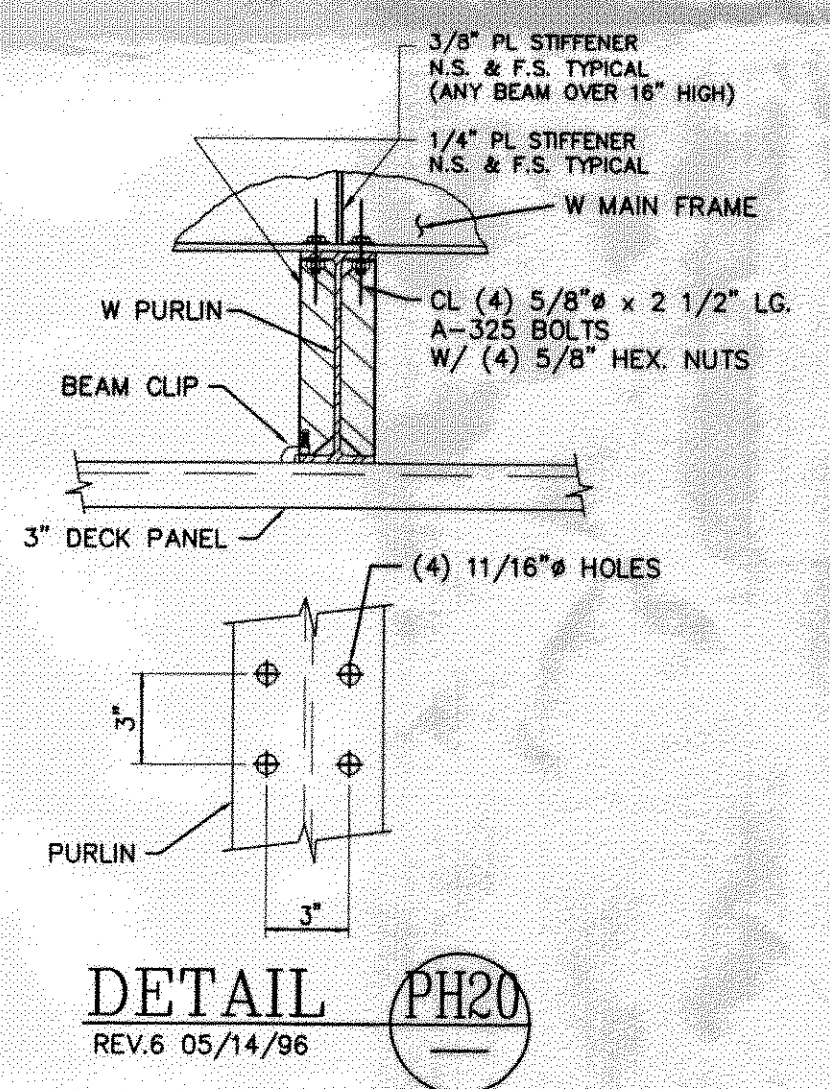
20 GA. WHITE EMBOSSED GALVALUME GRAND SPAN 16.0" STEEL DECKING 52 PANELS @ 23'-0"
 .032 ALUMINUM GUTTER SYSTEM COLOR TO MATCH DECK
 NOTE: CANOPY BEAM CLIPS MUST BE INSTALLED ON BOTH SIDES OF THE PURLIN.
 STITCH DECKING WITH TEK @ MIDSPAN BETWEEN PURLINS, 2" MINIMUM FROM FLAT SIDE OF DECK PAN. (INDICATED ON ROOF PLAN WITH DASHED LINE)



MAIN FRAME DETAIL



CANOPY LIGHTING LAYOUT
 (16) LSI SCOTTSDALE LIGHT FIXTURES



DETAIL PH20
 REV.6 05/14/96

ANCHOR BOLT SHIPPING REQUIREMENTS							
ANCHOR BOLT USE	BOLT DESCRIPTION	QUANTITY					
BCS-BASE PLATE (3 PLACES)	1-1/2" x 36" LONG	18					
HARDWARE LIST BREAK-DOWN (REFERENCE ONLY)							
ITEM USE (# OF PLACES FOR CHECKING ONLY)	DESCRIPTION	QUANTITY					
TCS-TOP PLATE (3 PLACES)	5/8" x 2-1/2" BOLTS w/ NUTS & WASHERS	24					
WP2-BEAM SPUCE (3 PLACES)	5/8" x 2-1/2" BOLTS w/ NUTS & WASHERS	18					
WP2-BEAM SPUCE (3 PLACES)	6x10x1/4" PLATE	6					
PH20-CONNECTION (9 PLACES)	5/8" x 2-1/2" BOLTS w/ NUTS & WASHERS	36					
GS3-CONNECTION (15 PLACES)	5/8" x 2-1/2" BOLTS w/ NUTS & WASHERS	60					
CANOPY SHIPPING STEEL HARDWARE MANIFEST							
QUANTITY	DESCRIPTION	QUANTITY SHIPPED	PULLED BY	CHECKED BY	TRAILER #	LOADED BY	
138	5/8" x 2-1/2" BOLTS w/ NUTS & WASHERS						
138	5/8" DTI SQUIRTER WASHERS						
6	(WP2) 6x10x1/4" PLATE						
CANOPY SHIPPING MANIFEST			TOP PLATE	BASE PLATE	PLATE DRAINS	W/S & CONDUIT	VENT
2	BM-1 W12x30 (19'-0")						
1	BM-2 W12x35 (19'-0")						
3	BM-3 W14x30 (35'-7 7/8")						
3	BM-4 W14x30 (33'-11 7/8")						
5	BM-5 W6x9 (10'-6 5/8")						
5	BM-6 W6x9 (7'-4 5/8")						
2	COL 1,3, HSS 16" x 1/4"						
1	COL 2, HSS 16" x 3/8"						
54	SIDE OUTRIGGERS @ 32" O.C.						
20	END OUTRIGGERS @ 32" O.C.						
1-Lot	HARDWARE						

Larry R. Brock, Jr.
 Structural Engineering Services
 Telephone (704) 882-1500 3108 Shady Grove Lane
 Facsimile (704) 882-3263 Matthews, NC 28104

ERECTION NOTES:
 REVIEW PLANS & DETAILS PRIOR TO INSTALLATION.
 INSTALL BEAMS ACCORDING TO MARKED END #S ON ROOF PLAN.
 BEAM OVERHANG IS 4" LONGER ON RIGHT HAND END OF CANOPY.
 IF APPLICABLE, SAME APPLIES FOR BEAM OVERHANG AT TEE.
 THIS IS TO ALLOW FOR DECK PANEL GROWTH.
 INSTALL DECK PANELS FROM LEFT TO RIGHT ON MAIN CANOPY - IF APPLICABLE SAME APPLIES FOR TEE.
 SEE ROOF PLAN FOR PROPER SLOPE AND HOW SLOPE IS ACQUIRED.
 SEE FASCIA DETAILS WHICH ALSO REFERS BACK TO GENERAL NOTES FOR OUTRIGGER SPACINGS.
 BP FASCIA ONLY START FASCIA AT LEFT END - SEE DIMENSION FOR LOCATION OF FIRST T4 PANEL.

McGEE CORPORATION
 12701 East Independence Blvd. P.O. Box 1375
 Matthews, NC 28106-1375
 Phone: (704) 882-1500
 Watts: (800) 526-5589

PR. JOB NO. 41465
 FINAL JOB NO. 41465
 DRAWING NO. P041465A

GENERAL MAINTENANCE CORP
 2035 GENTILLY BLVD
 NEW ORLEANS, LA (ORLEANS)

SCALE: 3/16"=1'-0"
 DATE: 4/20/09
 IN ACCORDANCE WITH REV. LETTER:

DRAWN BY: JWG
 CHK'D BY:

These prints are the property of McGee Corp. Reproduction or reuse is prohibited without written permission.

METAL CANOPY 24'-0" x 70'-4"
ROOF PLAN & DETAILS

SHEET NO. 2 OF 3

4/20/09
 LARRY R. BROCK, JR.
 P.E. No. 29033
 STATE OF LOUISIANA
 Civil Engineering