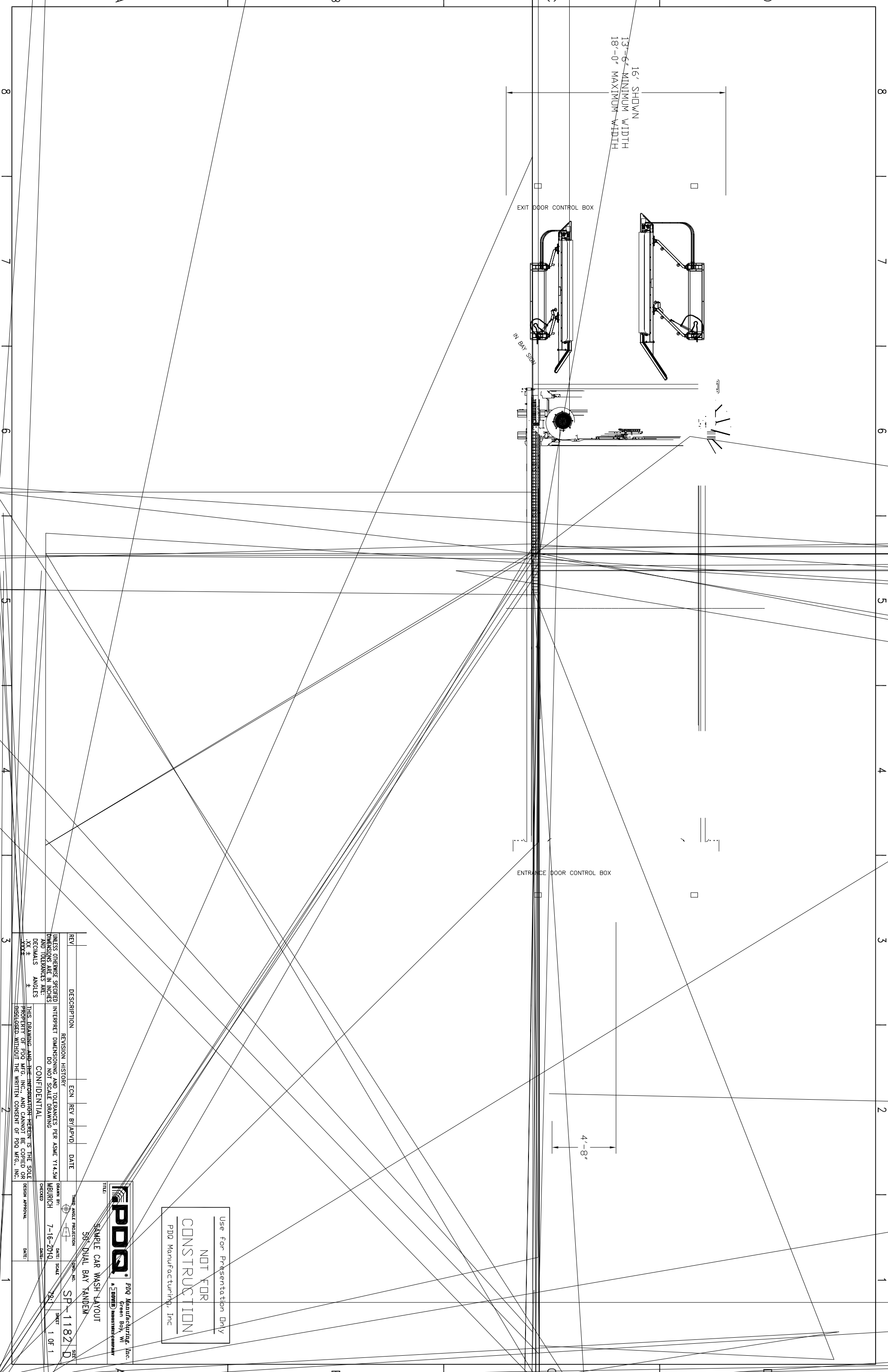
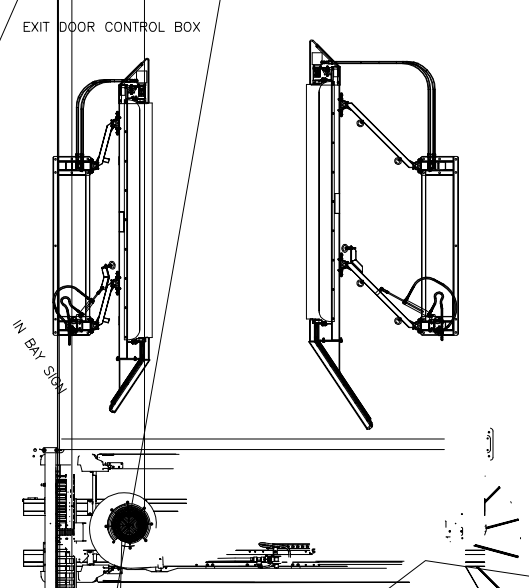


16'- SHOWN  
13'-6" MINIMUM WIDTH  
18'-0" MAXIMUM WIDTH



Use for Presentation Only  
NOT FOR  
CONSTRUCTION  
PDIQ Manufacturing, Inc



TITLE  
SAMPLE CAR WASH LAYOUT  
50% DUAL BAY TANDEN

REV	DESCRIPTION	REVISION HISTORY	ECON	REV BY/APVD	DATE
XX ±	UNLESS OTHERWISE SPECIFIED, INTERPRET DIMENSIONS AND TOLERANCES PER ASME Y14.5M				
XX ±	DIMENSIONS ARE IN INCHES UNLESS OTHERWISE SPECIFIED				
XX ±	ANGLES ARE IN DEGREES UNLESS OTHERWISE SPECIFIED				
XX ±	THIS DRAWING AND THE INFORMATION HEREIN IS THE SOLE PROPERTY OF PDIQ MFG. INC., AND CANNOT BE COPIED OR REPRODUCED WITHOUT THE WRITTEN CONSENT OF PDIQ MFG. INC.				

THIRD ANGLE PROJECTION	DRW. NO.	DATE	SCALE	SHEET	SIZE
	SP-1182	7-16-2010	1/2"	1 OF 1	D
CHECKED	DATE	DATE	DATE	DATE	DATE
PERSON APPROVAL					