

4.6 PARKING AND PASSENGER LOADING ZONES.

4.6.1 MINIMUM NUMBER. PARKING SPACES REQUIRED TO BE ACCESSIBLE BY 4.1 SHALL COMPLY WITH 4.6.2 THROUGH 4.6.4. PASSENGER LOADING ZONES REQUIRED TO BE ACCESSIBLE BY 4.1 SHALL COMPLY WITH 4.6.5 THROUGH 4.6.7.

4.6.2 LOCATION. ACCESSIBLE PARKING SPACES SERVING A PARTICULAR BUILDING SHALL BE ACCORDING TO THE FOLLOWING: (1) ACCESSIBLE PARKING SPACES SHALL BE PROVIDED FOR EACH BUILDING WITH ACCESSIBLE PARKING. ACCESSIBLE PARKING SPACES SHALL BE PROVIDED AND LOCATED CONSIDERED TO THE ACCESSIBLE ENTRANCE.

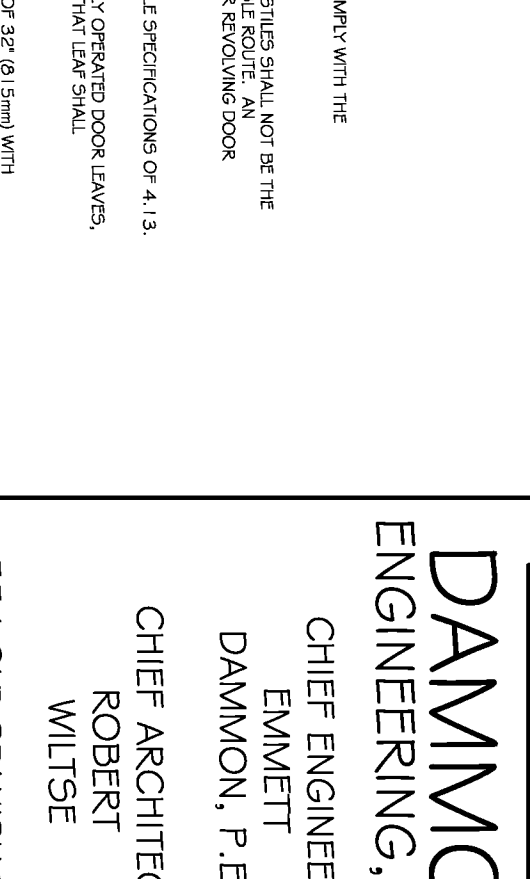
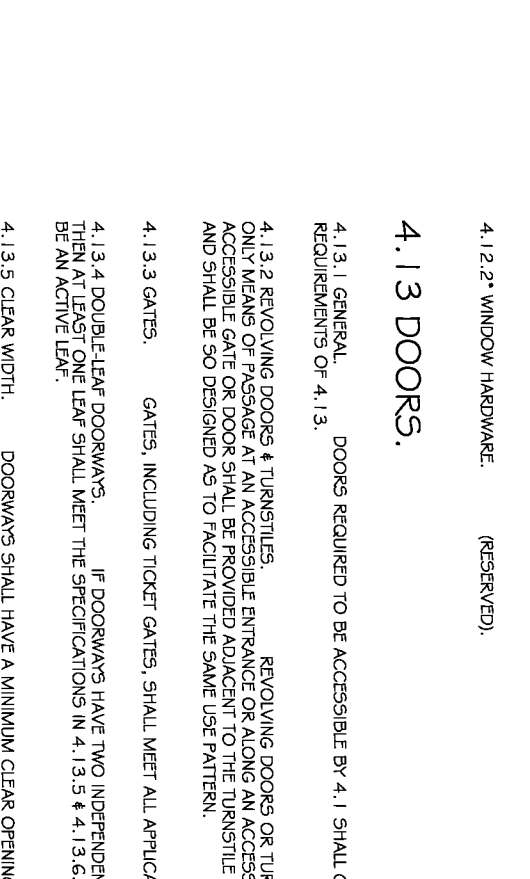
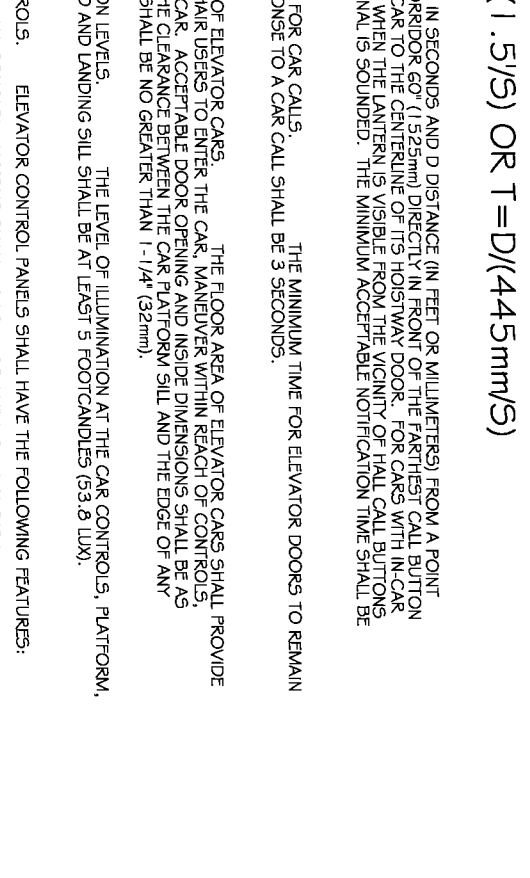
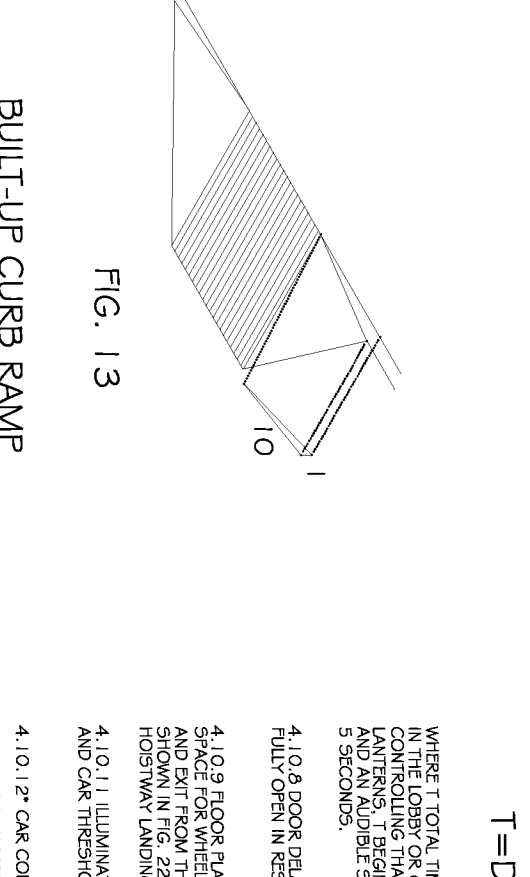
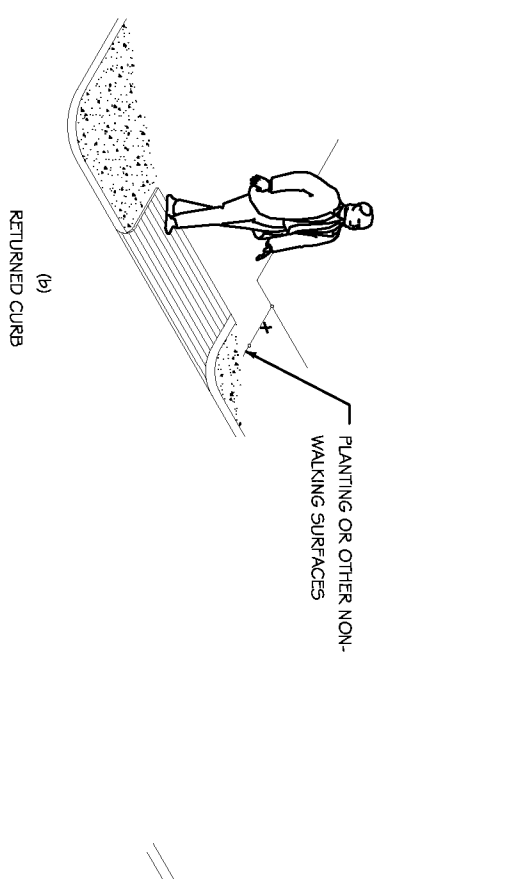
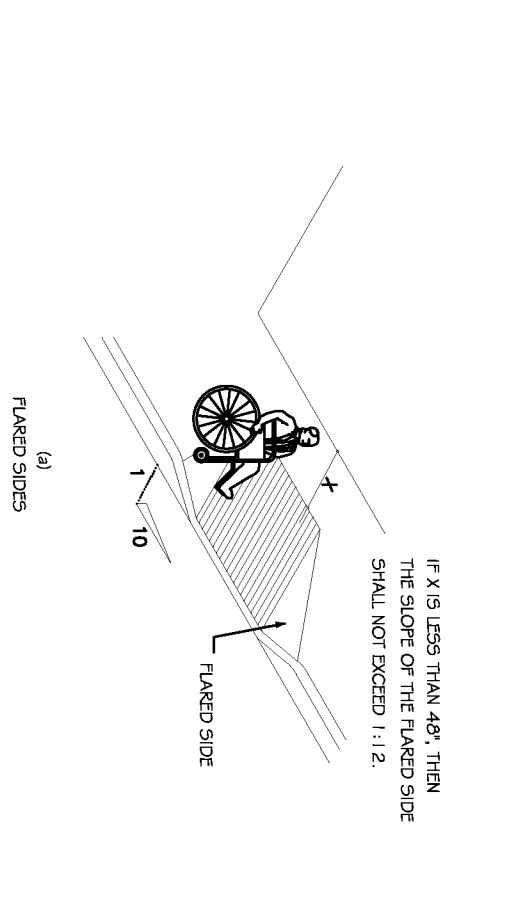
4.6.3 PARKING SPACES. THE MINIMUM NUMBER OF PARKING SPACES FOR EACH BUILDING SHALL BE AS FOLLOWS: (1) ONE ACCESSIBLE PARKING SPACE FOR EACH BUILDING WITH ACCESSIBLE PARKING. ACCESSIBLE PARKING SPACES SHALL BE PROVIDED AND LOCATED CONSIDERED TO THE ACCESSIBLE ENTRANCE. (2) ONE ACCESSIBLE PARKING SPACE FOR EACH BUILDING WITH ACCESSIBLE PARKING. ACCESSIBLE PARKING SPACES SHALL BE PROVIDED AND LOCATED CONSIDERED TO THE ACCESSIBLE ENTRANCE.

4.6.4 PASSENGER LOADING ZONES. PASSENGER LOADING ZONES SHALL PROVIDE AN ACCESSIBLE SPACE FOR PASSENGERS TO BOARD AND ALIGHT FROM PASSENGER VEHICLES. PASSENGER LOADING ZONES SHALL BE PROVIDED FOR EACH BUILDING WITH ACCESSIBLE PARKING. ACCESSIBLE PASSENGER LOADING ZONES SHALL BE PROVIDED AND LOCATED CONSIDERED TO THE ACCESSIBLE ENTRANCE.

4.6.5 PASSENGER LOADING ZONES. PASSENGER LOADING ZONES SHALL PROVIDE AN ACCESSIBLE SPACE FOR PASSENGERS TO BOARD AND ALIGHT FROM PASSENGER VEHICLES. PASSENGER LOADING ZONES SHALL BE PROVIDED FOR EACH BUILDING WITH ACCESSIBLE PARKING. ACCESSIBLE PASSENGER LOADING ZONES SHALL BE PROVIDED AND LOCATED CONSIDERED TO THE ACCESSIBLE ENTRANCE.

4.6.6 PASSENGER LOADING ZONES. PASSENGER LOADING ZONES SHALL PROVIDE AN ACCESSIBLE SPACE FOR PASSENGERS TO BOARD AND ALIGHT FROM PASSENGER VEHICLES. PASSENGER LOADING ZONES SHALL BE PROVIDED FOR EACH BUILDING WITH ACCESSIBLE PARKING. ACCESSIBLE PASSENGER LOADING ZONES SHALL BE PROVIDED AND LOCATED CONSIDERED TO THE ACCESSIBLE ENTRANCE.

4.6.7 PASSENGER LOADING ZONES. PASSENGER LOADING ZONES SHALL PROVIDE AN ACCESSIBLE SPACE FOR PASSENGERS TO BOARD AND ALIGHT FROM PASSENGER VEHICLES. PASSENGER LOADING ZONES SHALL BE PROVIDED FOR EACH BUILDING WITH ACCESSIBLE PARKING. ACCESSIBLE PASSENGER LOADING ZONES SHALL BE PROVIDED AND LOCATED CONSIDERED TO THE ACCESSIBLE ENTRANCE.



4.7 CURB RAMPS.

4.7.1 LOCATION. CURB RAMPS SERVING WITH 4.7 SHALL BE PROVIDED WHEREVER AN ACCESSIBLE PARKING SPACE IS PROVIDED FOR A BUILDING WITH ACCESSIBLE PARKING.

4.7.2 WIDTH. THE MINIMUM WIDTH OF A CURB RAMP SHALL BE 300 MILLIMETERS (12 INCHES).

4.7.3 SURFACE. THE SURFACE OF CURB RAMPS SHALL COMPLY WITH 4.3.

4.7.4 SLOPE. THE SLOPE OF CURB RAMPS SHALL BE 1:12.

4.7.5 CURB. THE CURB OF CURB RAMPS SHALL BE 150 MILLIMETERS (6 INCHES) HIGH.

4.7.6 CURB RAMPS. CURB RAMPS SHALL BE PROVIDED FOR EACH BUILDING WITH ACCESSIBLE PARKING. ACCESSIBLE CURB RAMPS SHALL BE PROVIDED AND LOCATED CONSIDERED TO THE ACCESSIBLE ENTRANCE.

4.8 RAMPS.

4.8.1 GENERAL. ANY PART OF AN ACCESSIBLE ROUTE WITH A SLOPE GREATER THAN 1:20 SHALL BE CONSIDERED A RAMP AND SHALL COMPLY WITH 4.3.

4.8.2 SLOPE. THE SLOPE OF RAMPS SHALL BE 1:20.

4.8.3 WIDTH. THE MINIMUM WIDTH OF A RAMP SHALL BE 915 MILLIMETERS (36 INCHES).

4.8.4 SURFACE. THE SURFACE OF RAMPS SHALL COMPLY WITH 4.3.

4.8.5 HANDRAILS. HANDRAILS SHALL BE PROVIDED FOR RAMPS WITH A SLOPE GREATER THAN 1:20.

4.8.6 CURB. CURB SHALL BE PROVIDED FOR RAMPS WITH A SLOPE GREATER THAN 1:20.

4.8.7 CURB RAMPS. CURB RAMPS SHALL BE PROVIDED FOR RAMPS WITH A SLOPE GREATER THAN 1:20.

4.8.8 CURB RAMPS. CURB RAMPS SHALL BE PROVIDED FOR RAMPS WITH A SLOPE GREATER THAN 1:20.

4.9 STAIRS.

4.9.1 MINIMUM NUMBER. STAIRS REQUIRED TO BE ACCESSIBLE BY 4.1 SHALL COMPLY WITH 4.9.2 THROUGH 4.9.7.

4.9.2 LOCATION. STAIRS SHALL BE PROVIDED FOR EACH BUILDING WITH ACCESSIBLE PARKING. ACCESSIBLE STAIRS SHALL BE PROVIDED AND LOCATED CONSIDERED TO THE ACCESSIBLE ENTRANCE.

4.9.3 STAIRS. STAIRS SHALL BE PROVIDED FOR EACH BUILDING WITH ACCESSIBLE PARKING. ACCESSIBLE STAIRS SHALL BE PROVIDED AND LOCATED CONSIDERED TO THE ACCESSIBLE ENTRANCE.

4.9.4 STAIRS. STAIRS SHALL BE PROVIDED FOR EACH BUILDING WITH ACCESSIBLE PARKING. ACCESSIBLE STAIRS SHALL BE PROVIDED AND LOCATED CONSIDERED TO THE ACCESSIBLE ENTRANCE.

4.9.5 STAIRS. STAIRS SHALL BE PROVIDED FOR EACH BUILDING WITH ACCESSIBLE PARKING. ACCESSIBLE STAIRS SHALL BE PROVIDED AND LOCATED CONSIDERED TO THE ACCESSIBLE ENTRANCE.

4.9.6 STAIRS. STAIRS SHALL BE PROVIDED FOR EACH BUILDING WITH ACCESSIBLE PARKING. ACCESSIBLE STAIRS SHALL BE PROVIDED AND LOCATED CONSIDERED TO THE ACCESSIBLE ENTRANCE.

4.10 ELEVATORS.

4.10.1 GENERAL. ACCESSIBLE ELEVATORS SHALL BE ON AN ACCESSIBLE ROUTE AND SHALL COMPLY WITH 4.10.2 THROUGH 4.10.7.

4.10.2 LOCATION. ACCESSIBLE ELEVATORS SHALL BE PROVIDED FOR EACH BUILDING WITH ACCESSIBLE PARKING. ACCESSIBLE ELEVATORS SHALL BE PROVIDED AND LOCATED CONSIDERED TO THE ACCESSIBLE ENTRANCE.

4.10.3 STAIRS. STAIRS SHALL BE PROVIDED FOR EACH BUILDING WITH ACCESSIBLE PARKING. ACCESSIBLE STAIRS SHALL BE PROVIDED AND LOCATED CONSIDERED TO THE ACCESSIBLE ENTRANCE.

4.10.4 STAIRS. STAIRS SHALL BE PROVIDED FOR EACH BUILDING WITH ACCESSIBLE PARKING. ACCESSIBLE STAIRS SHALL BE PROVIDED AND LOCATED CONSIDERED TO THE ACCESSIBLE ENTRANCE.

4.10.5 STAIRS. STAIRS SHALL BE PROVIDED FOR EACH BUILDING WITH ACCESSIBLE PARKING. ACCESSIBLE STAIRS SHALL BE PROVIDED AND LOCATED CONSIDERED TO THE ACCESSIBLE ENTRANCE.

4.10.6 STAIRS. STAIRS SHALL BE PROVIDED FOR EACH BUILDING WITH ACCESSIBLE PARKING. ACCESSIBLE STAIRS SHALL BE PROVIDED AND LOCATED CONSIDERED TO THE ACCESSIBLE ENTRANCE.

4.11 PLATFORM LIFTS (WHEELCHAIR LIFTS).

4.11.1 LOCATION. PLATFORM LIFTS SHALL BE PROVIDED FOR EACH BUILDING WITH ACCESSIBLE PARKING. ACCESSIBLE PLATFORM LIFTS SHALL BE PROVIDED AND LOCATED CONSIDERED TO THE ACCESSIBLE ENTRANCE.

4.11.2 LOCATION. PLATFORM LIFTS SHALL BE PROVIDED FOR EACH BUILDING WITH ACCESSIBLE PARKING. ACCESSIBLE PLATFORM LIFTS SHALL BE PROVIDED AND LOCATED CONSIDERED TO THE ACCESSIBLE ENTRANCE.

4.11.3 LOCATION. PLATFORM LIFTS SHALL BE PROVIDED FOR EACH BUILDING WITH ACCESSIBLE PARKING. ACCESSIBLE PLATFORM LIFTS SHALL BE PROVIDED AND LOCATED CONSIDERED TO THE ACCESSIBLE ENTRANCE.

4.11.4 LOCATION. PLATFORM LIFTS SHALL BE PROVIDED FOR EACH BUILDING WITH ACCESSIBLE PARKING. ACCESSIBLE PLATFORM LIFTS SHALL BE PROVIDED AND LOCATED CONSIDERED TO THE ACCESSIBLE ENTRANCE.

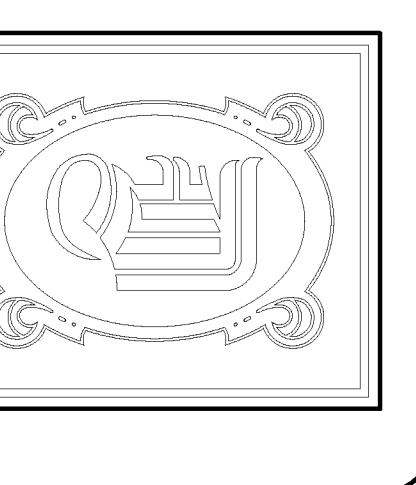
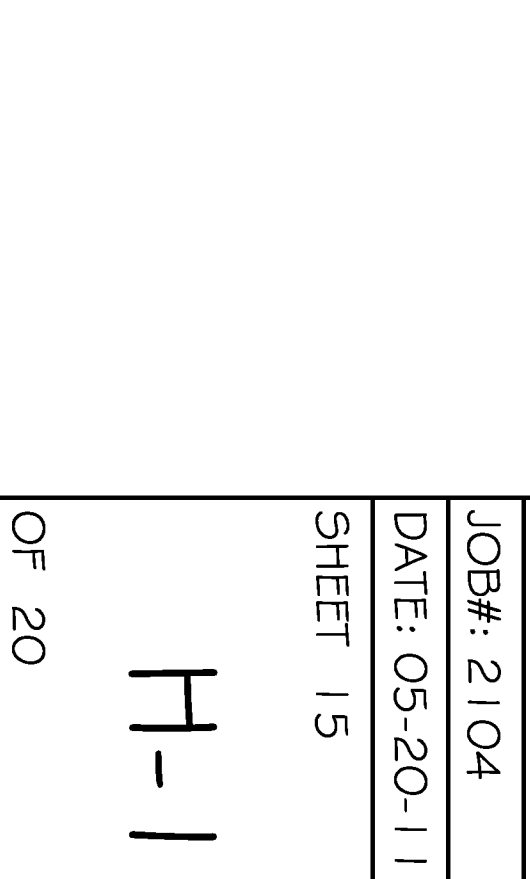
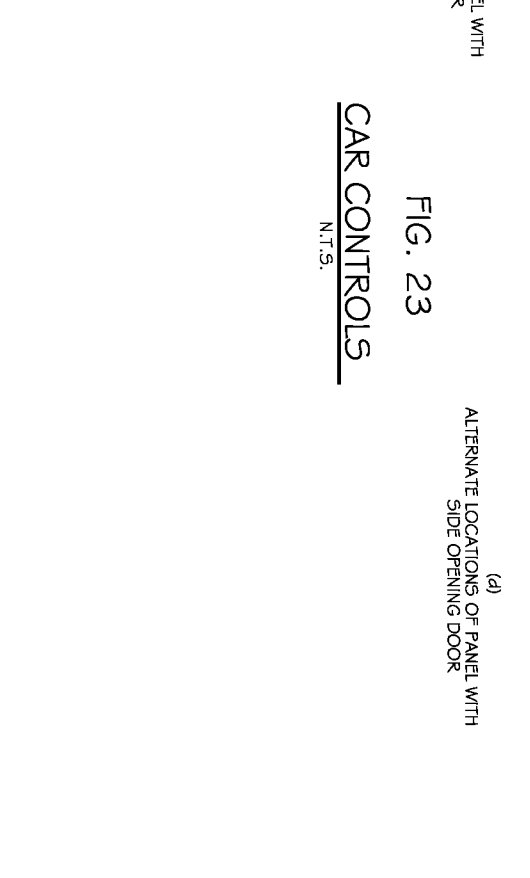
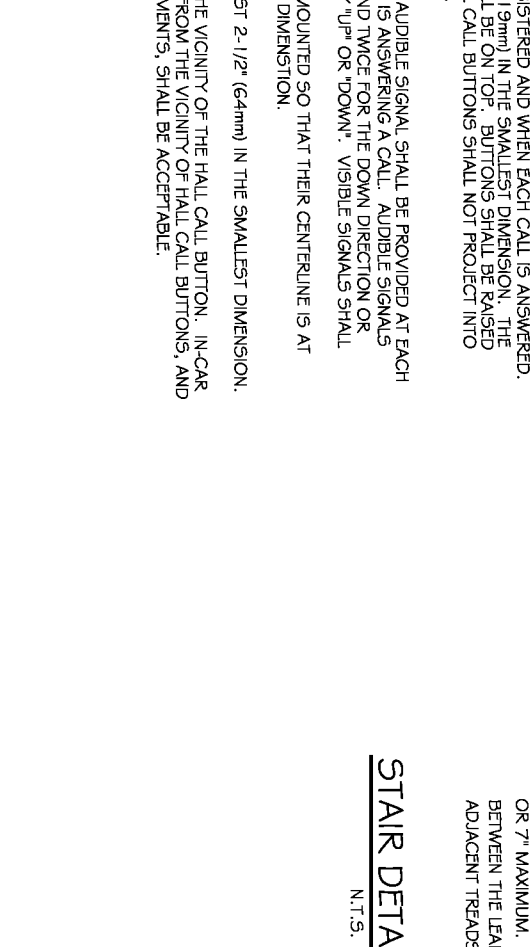
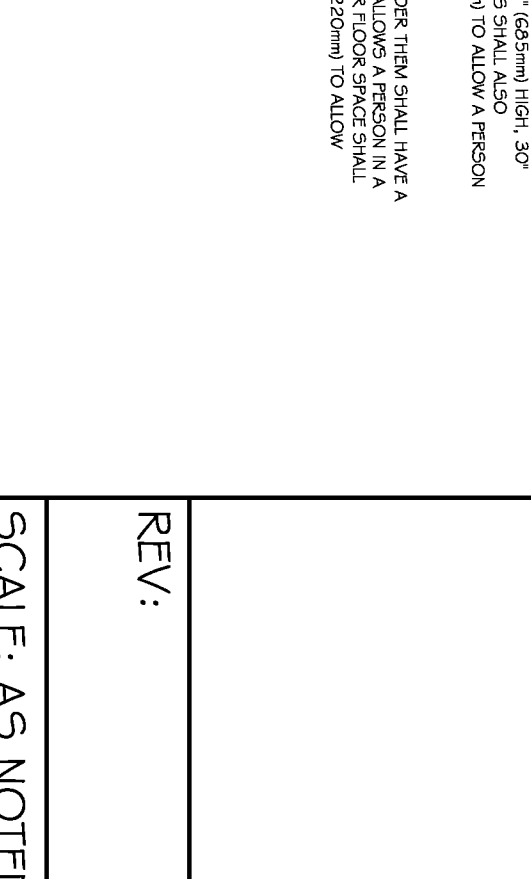
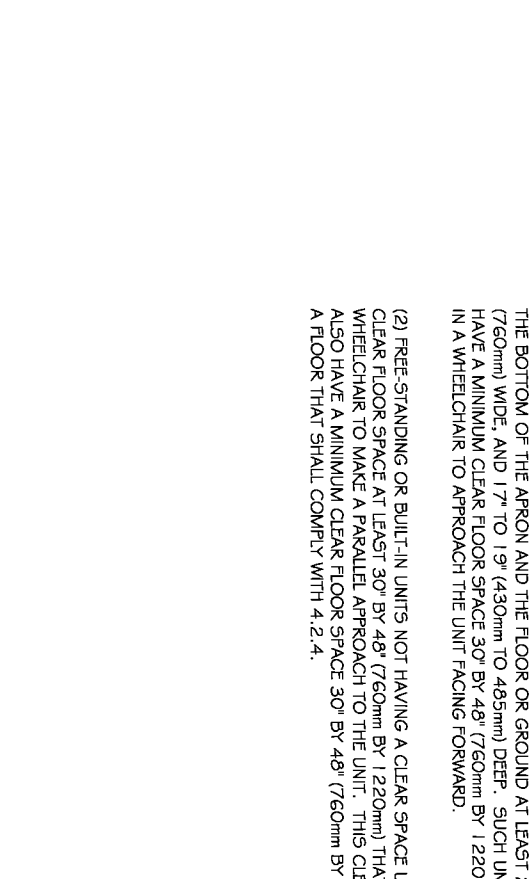
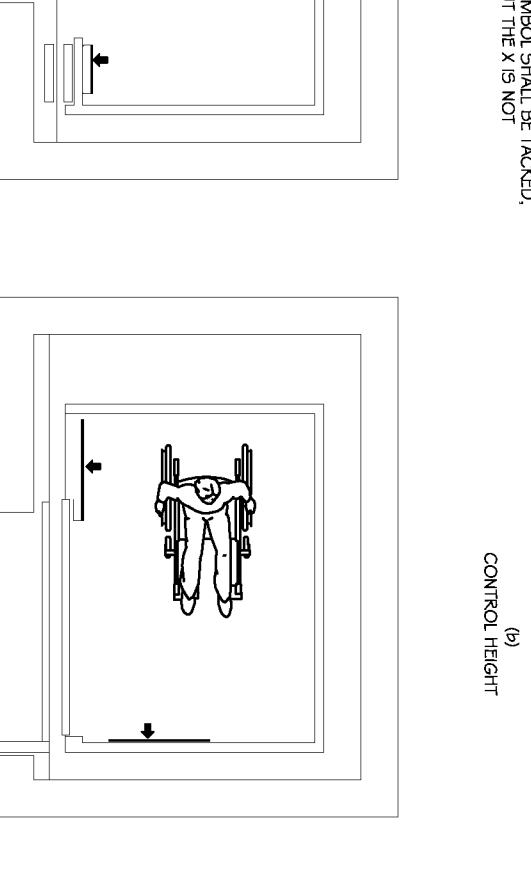
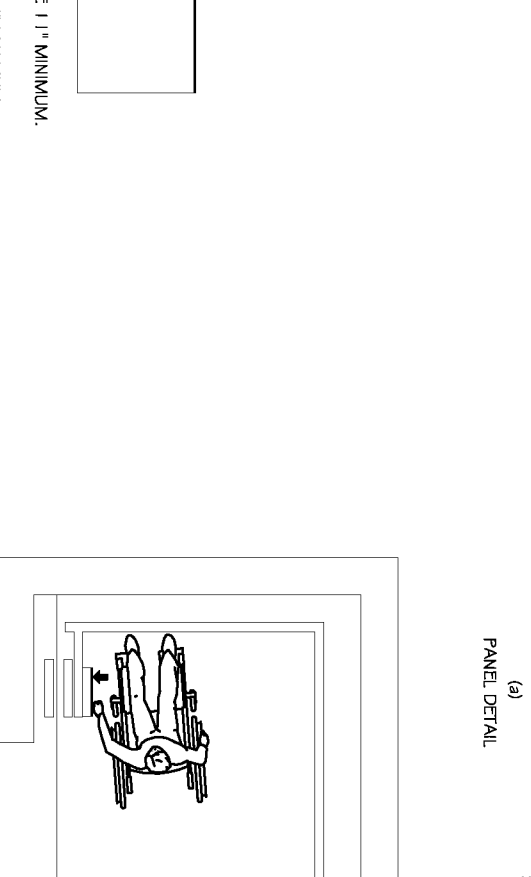
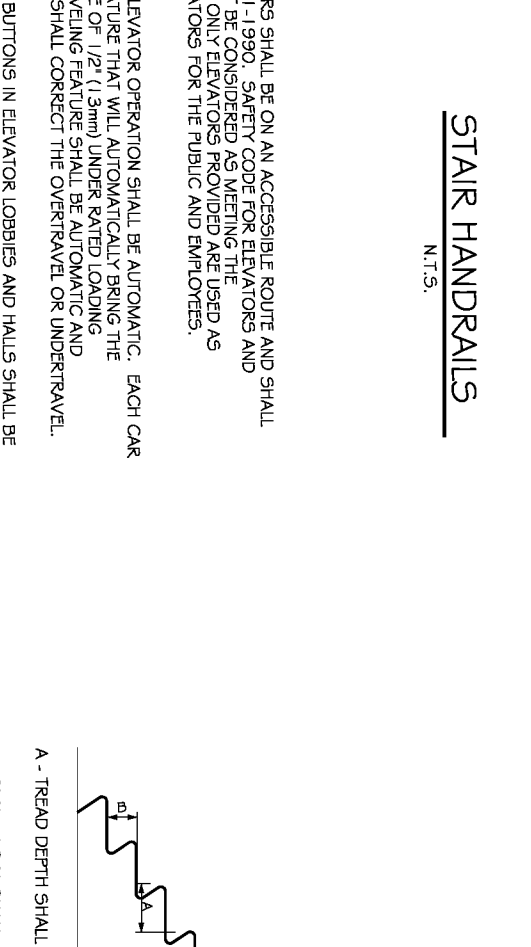
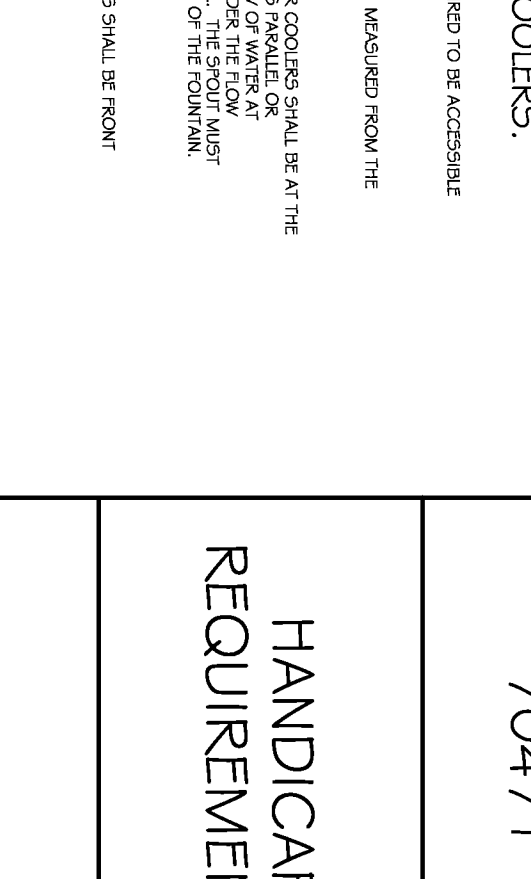
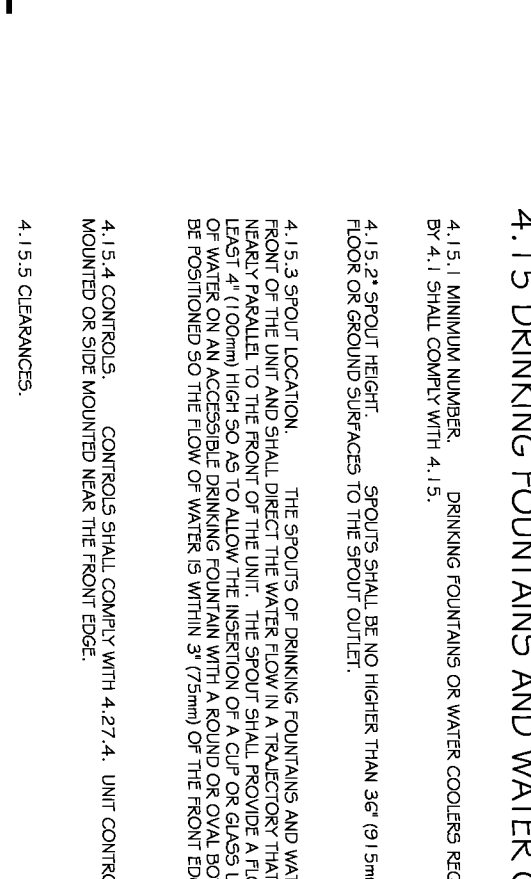
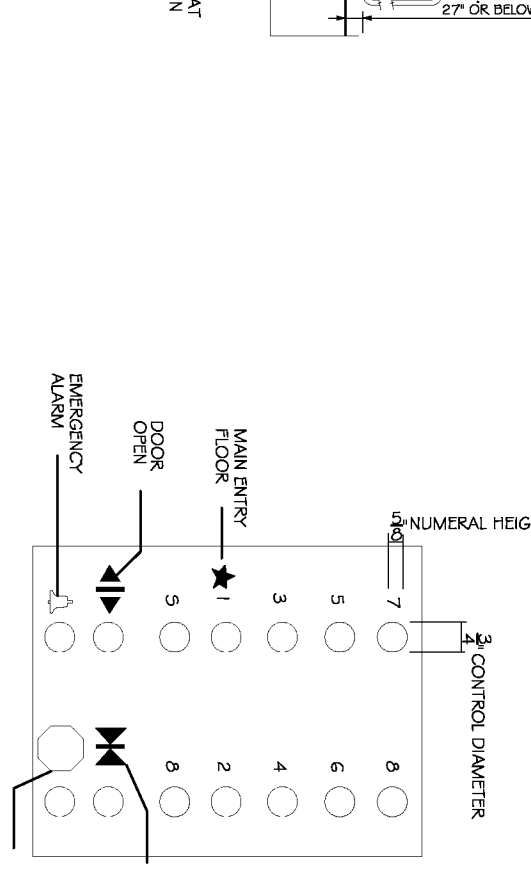
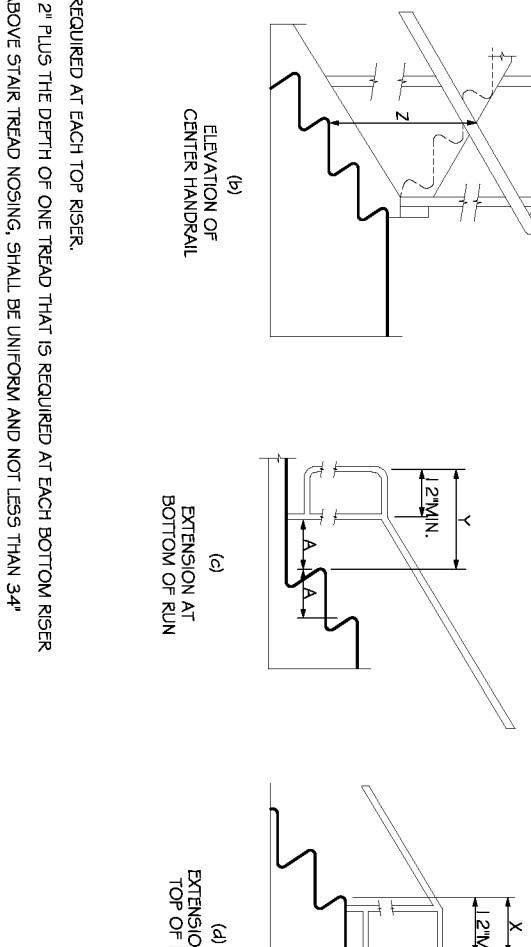
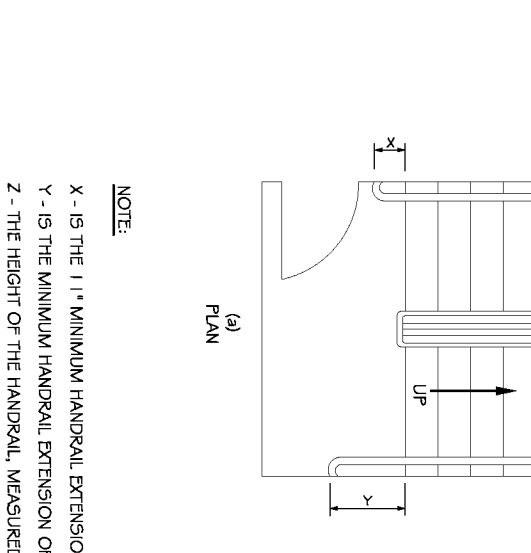
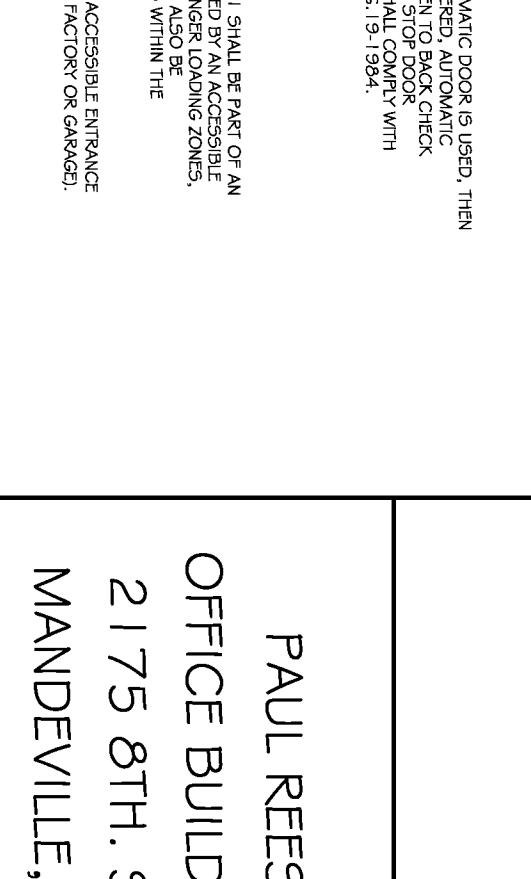
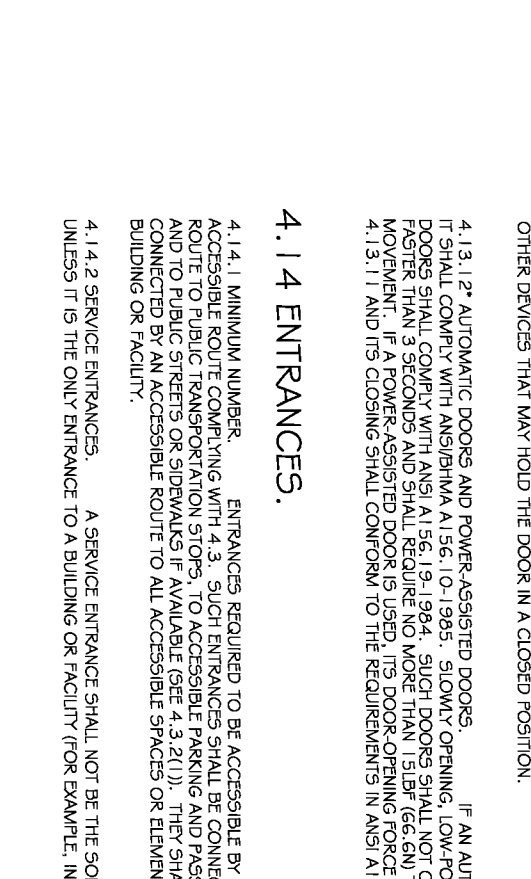
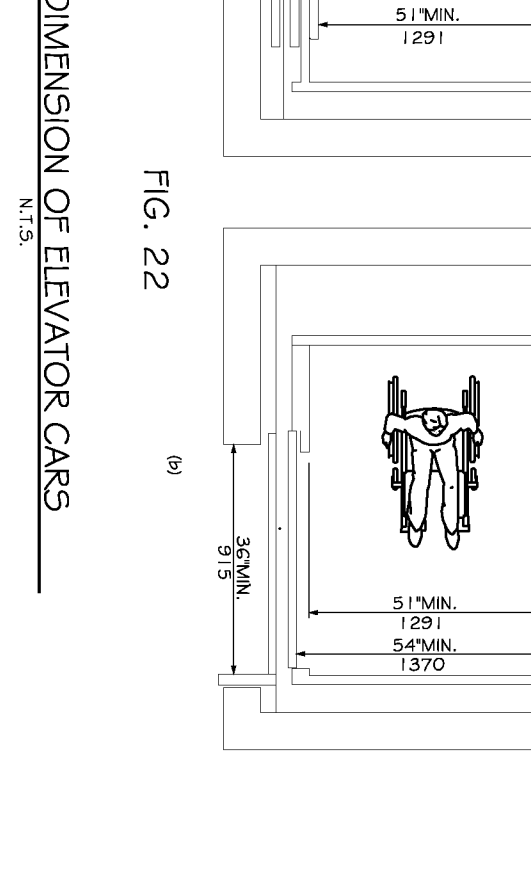
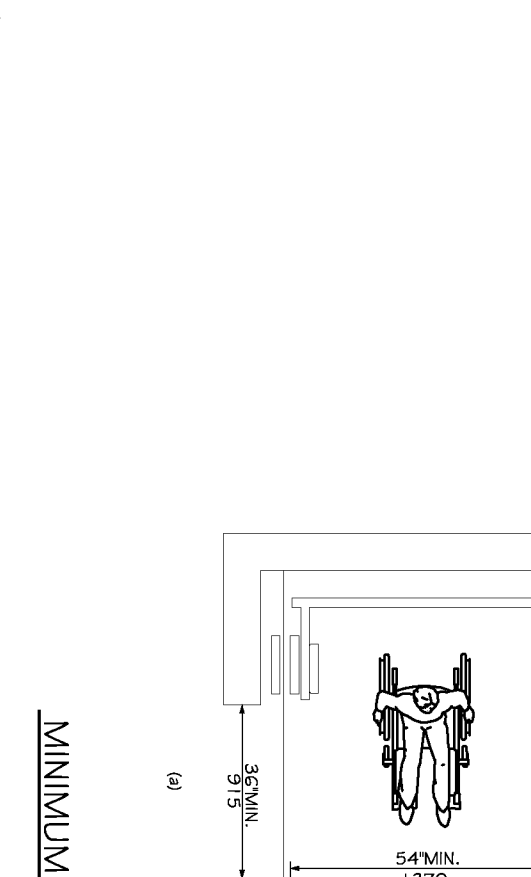
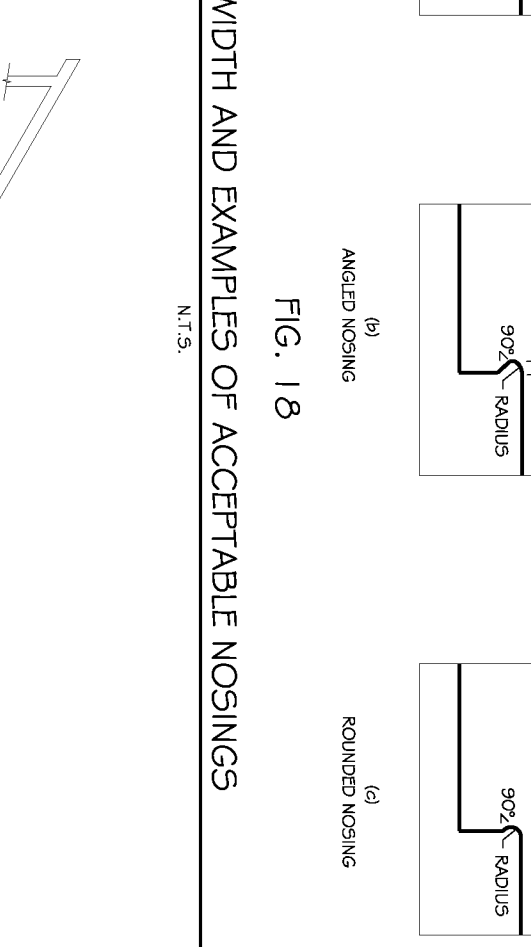
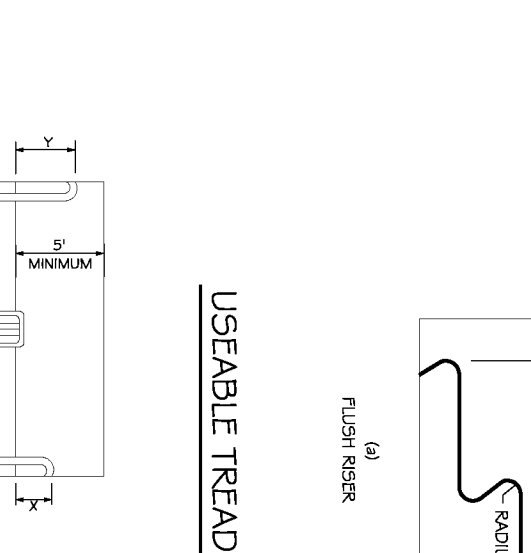
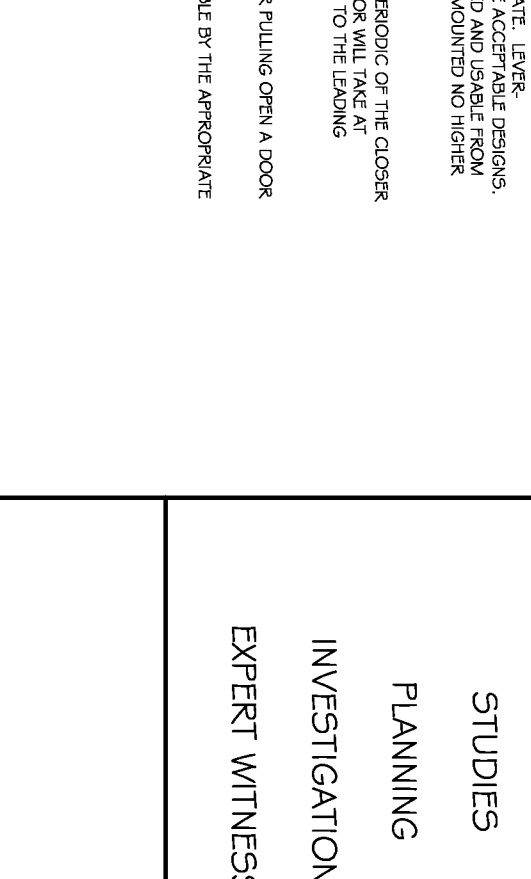
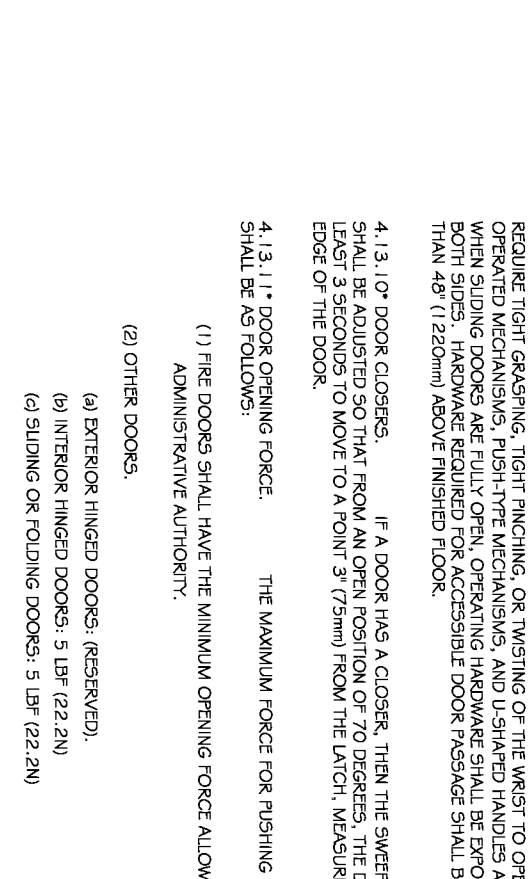
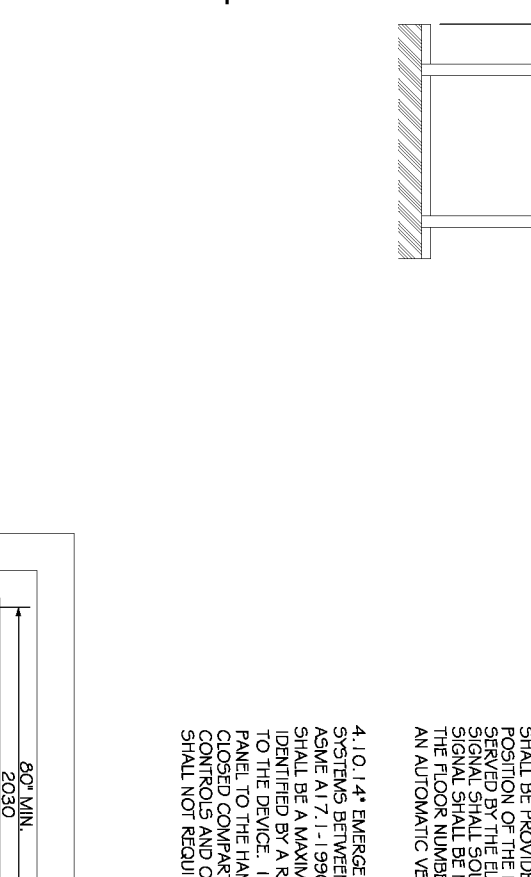
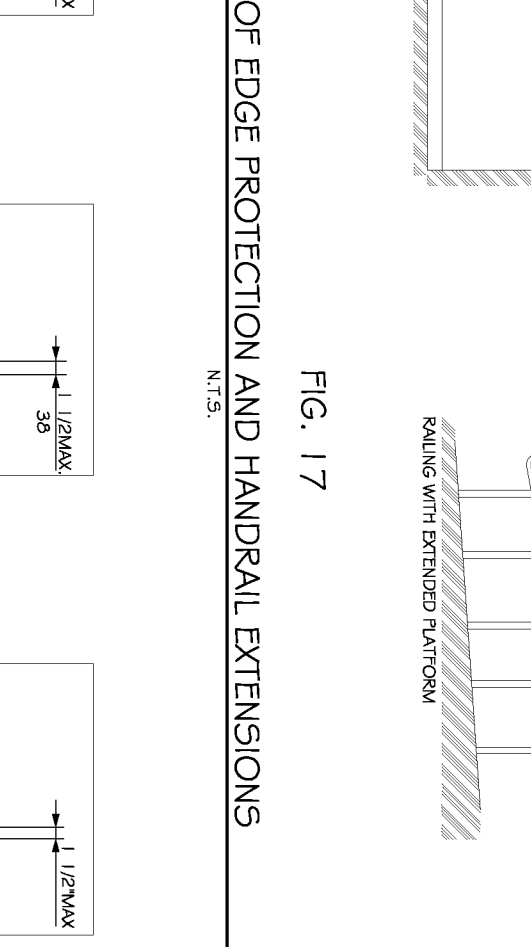
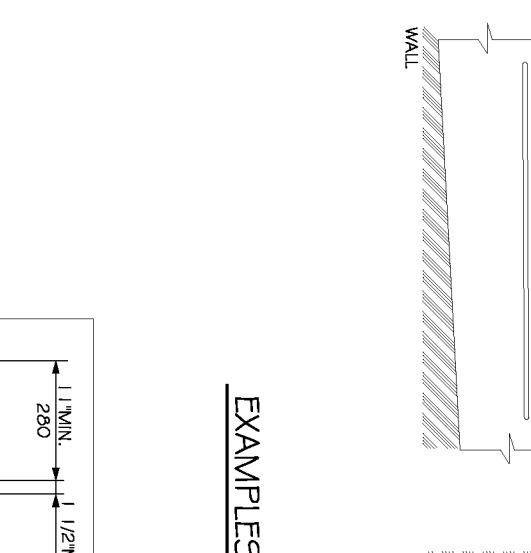
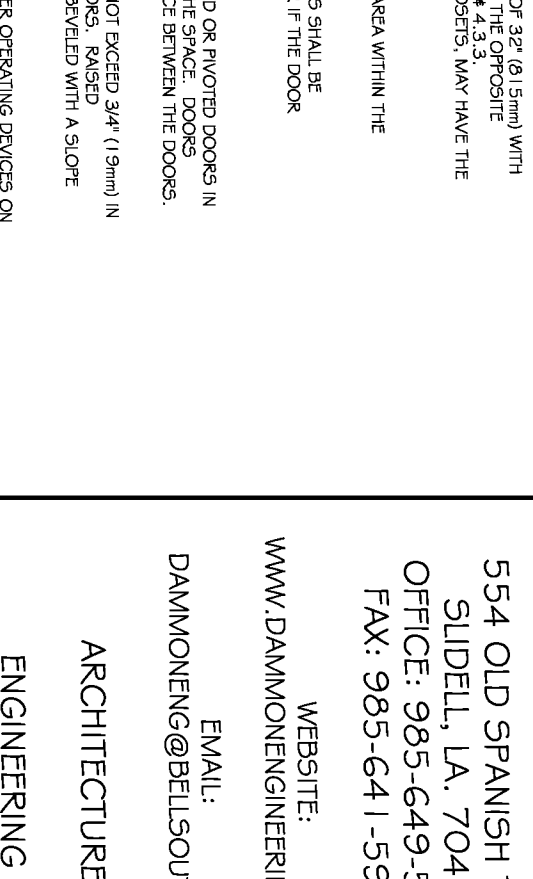
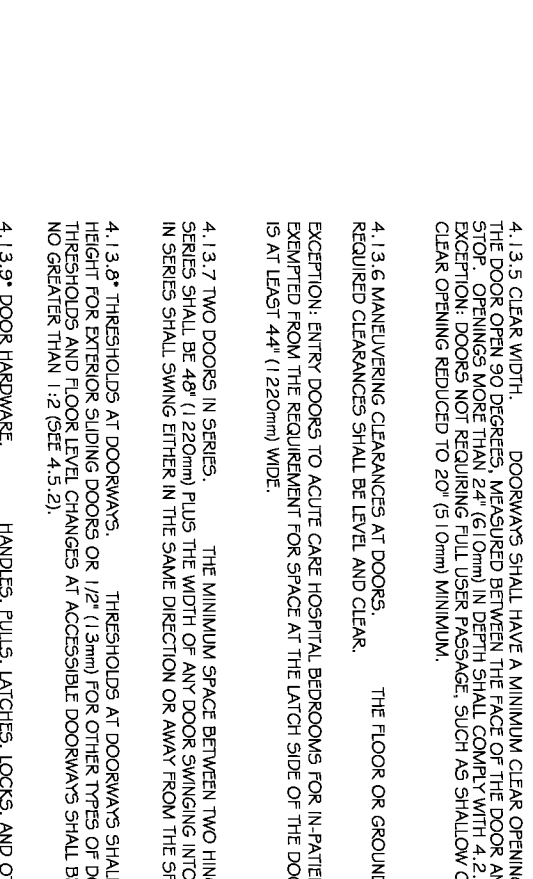
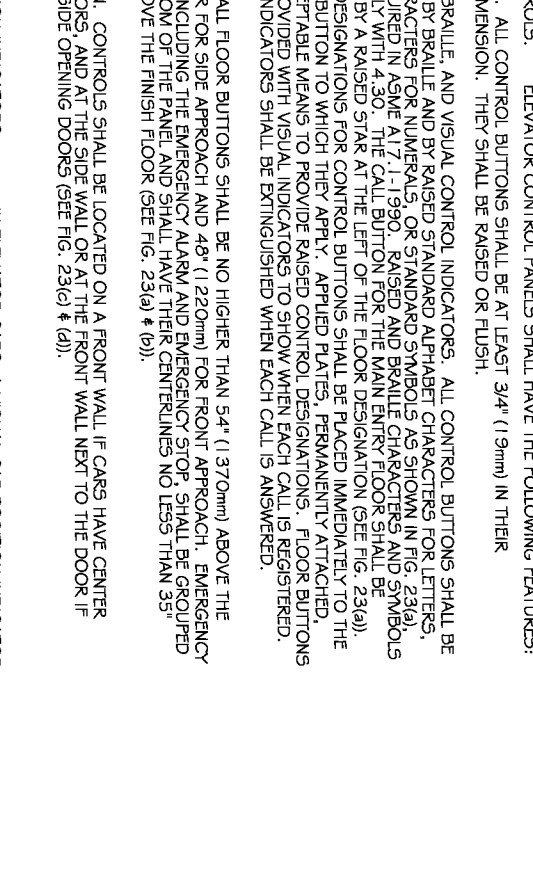
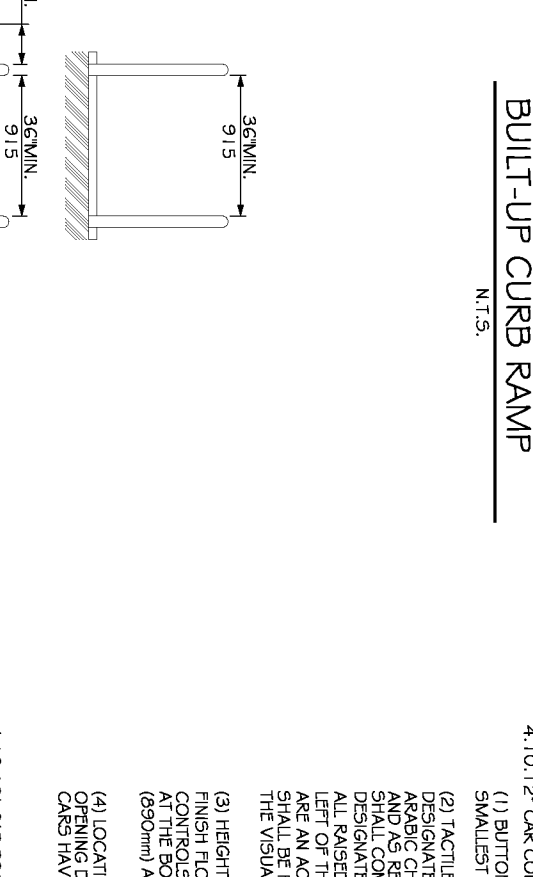
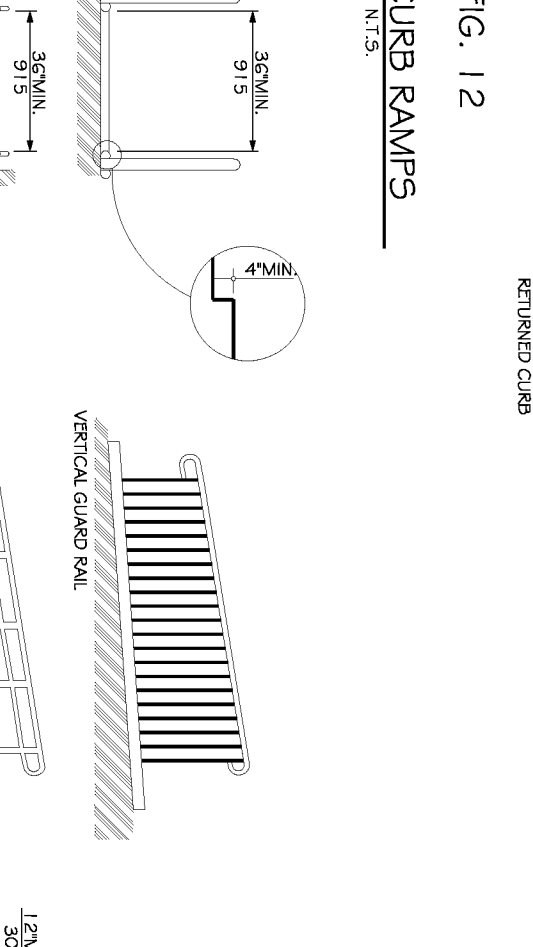
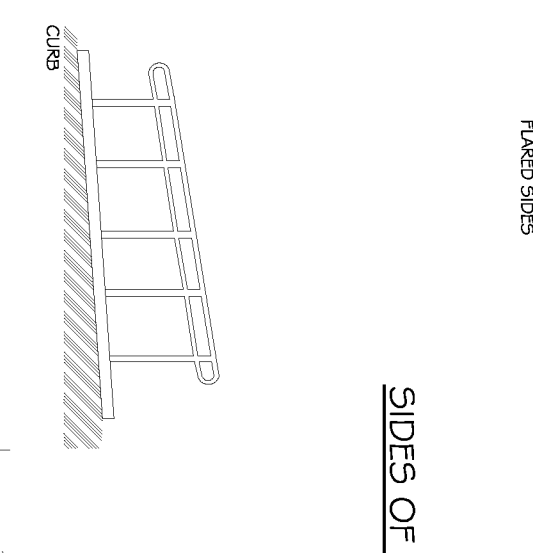
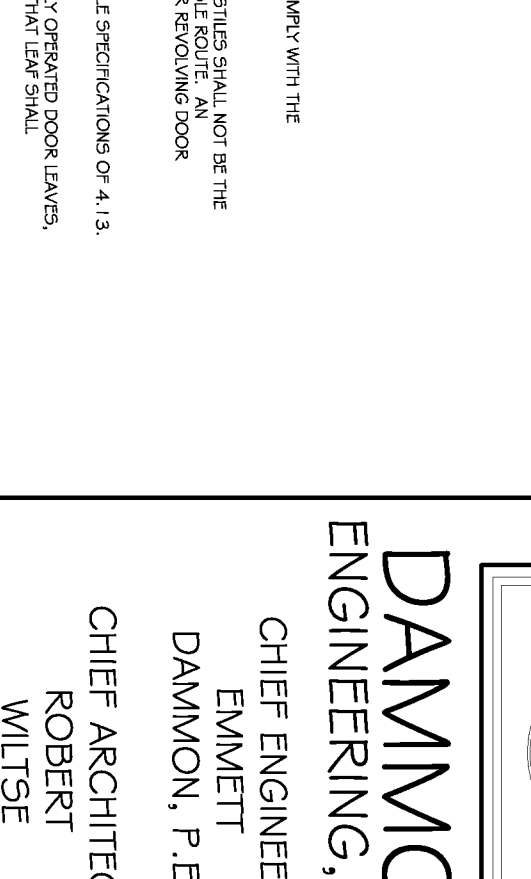
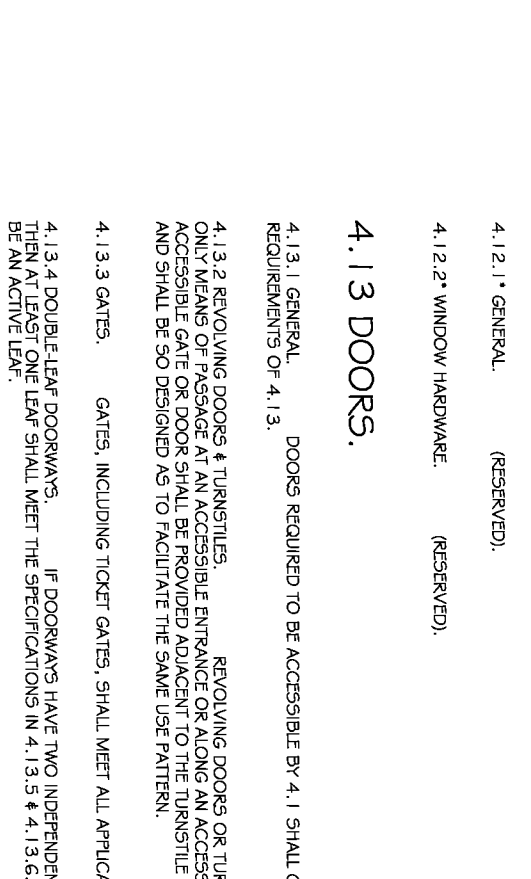
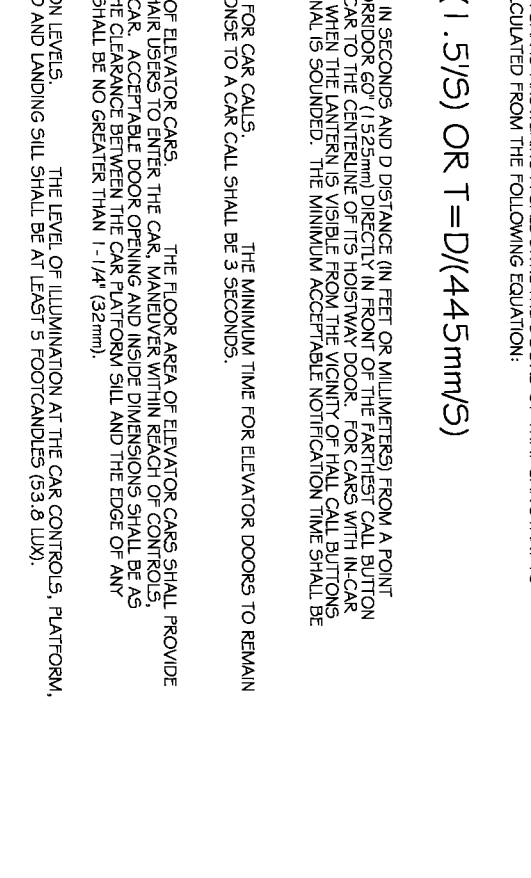
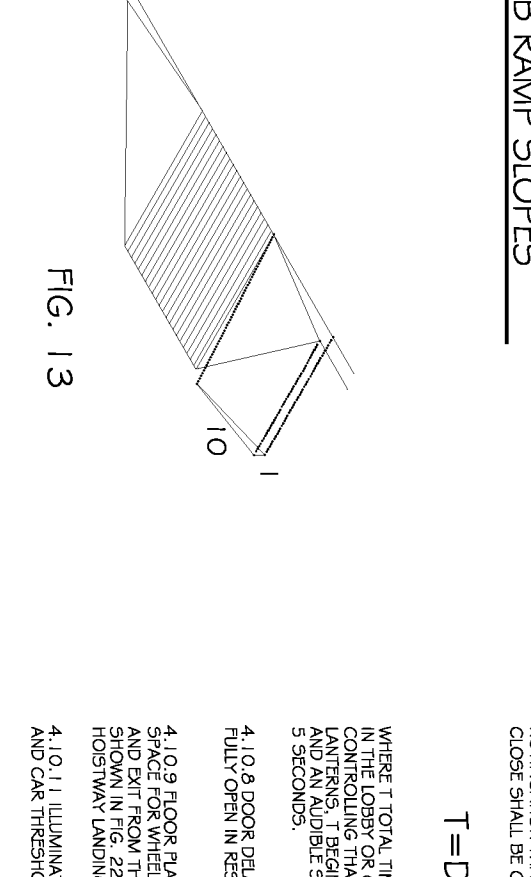
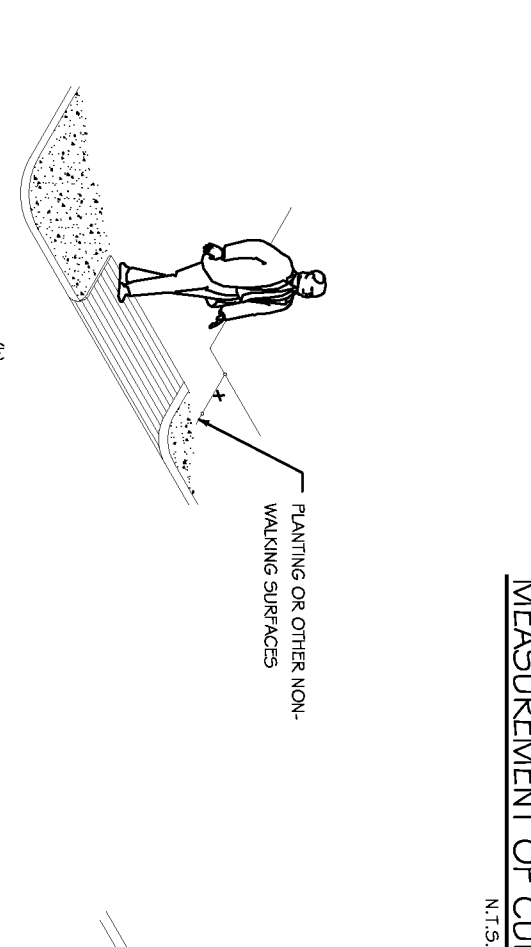
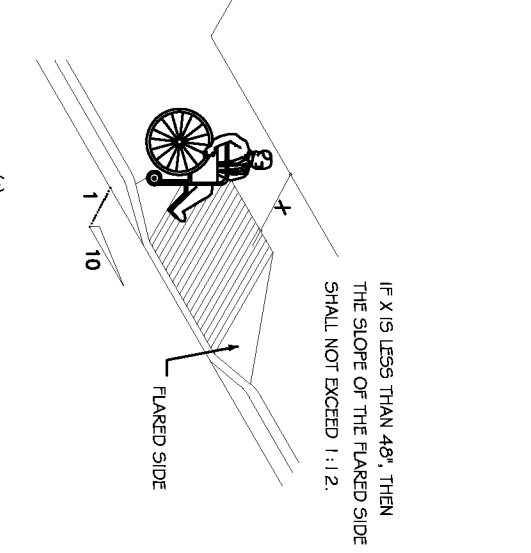
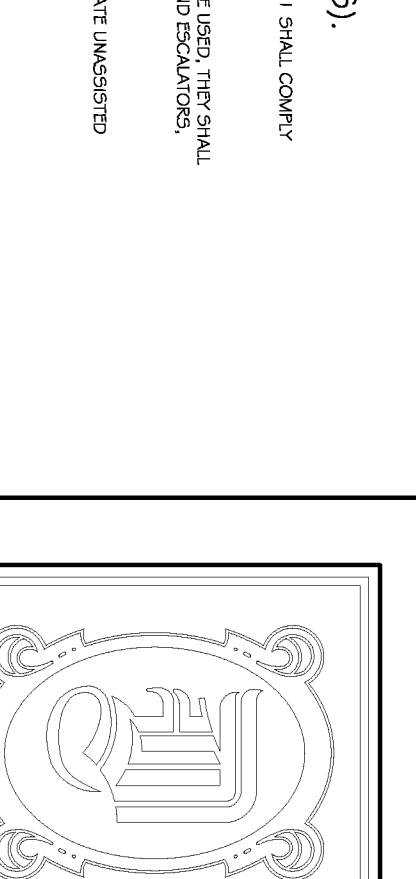
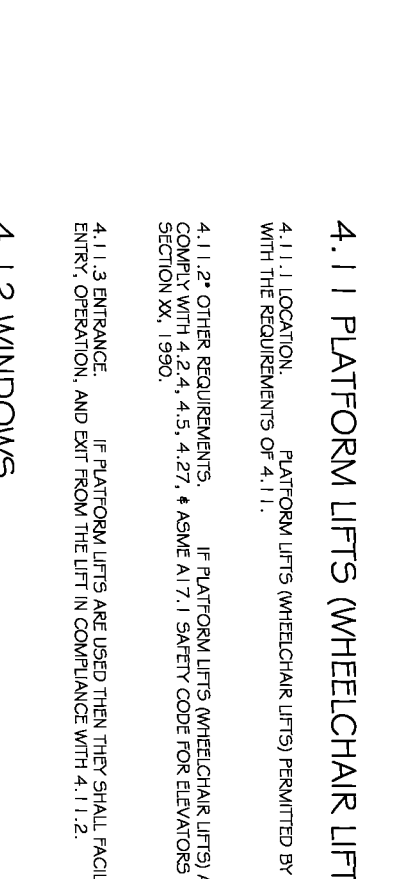
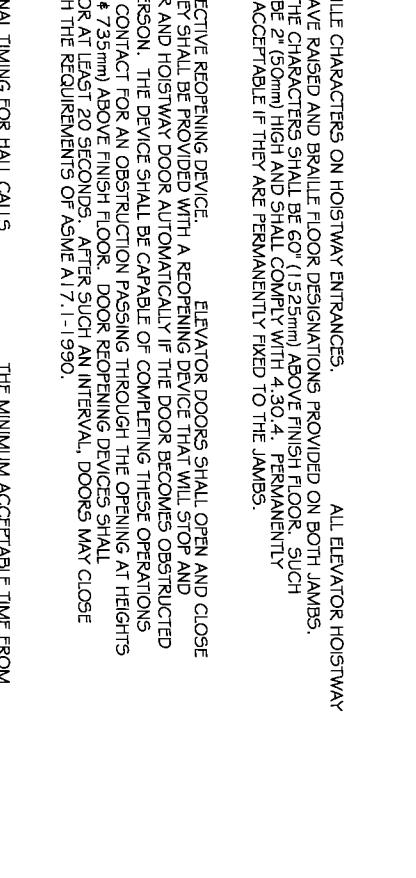
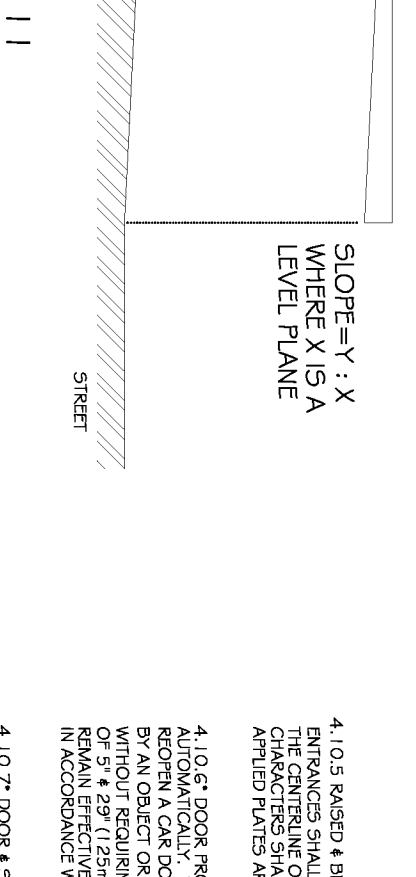
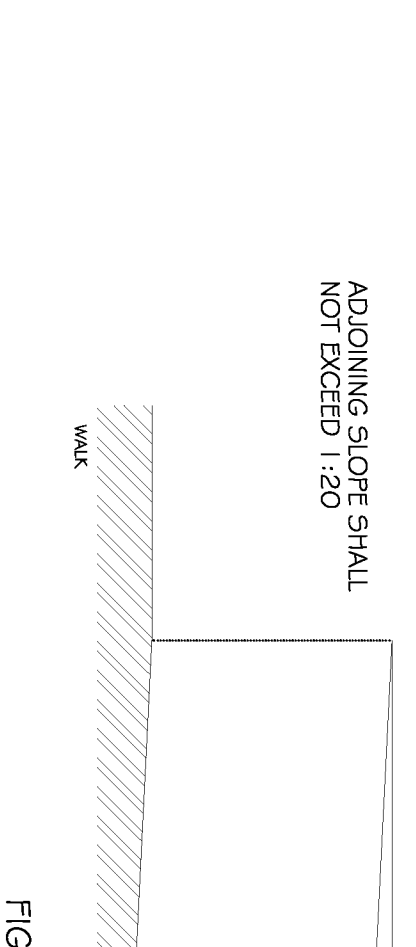
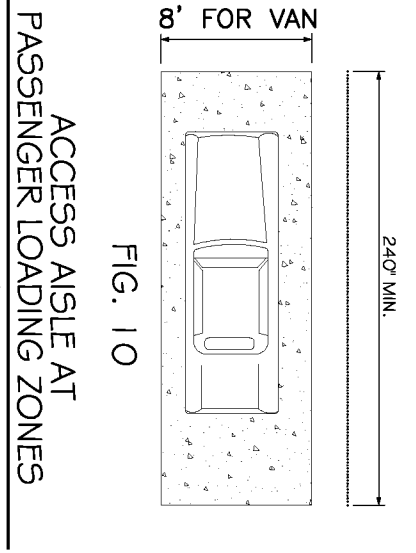
4.11.5 LOCATION. PLATFORM LIFTS SHALL BE PROVIDED FOR EACH BUILDING WITH ACCESSIBLE PARKING. ACCESSIBLE PLATFORM LIFTS SHALL BE PROVIDED AND LOCATED CONSIDERED TO THE ACCESSIBLE ENTRANCE.

4.12 WINDOWS. WINDOWS SHALL BE PROVIDED FOR EACH BUILDING WITH ACCESSIBLE PARKING. ACCESSIBLE WINDOWS SHALL BE PROVIDED AND LOCATED CONSIDERED TO THE ACCESSIBLE ENTRANCE.

4.13 DOORS. DOORS SHALL BE PROVIDED FOR EACH BUILDING WITH ACCESSIBLE PARKING. ACCESSIBLE DOORS SHALL BE PROVIDED AND LOCATED CONSIDERED TO THE ACCESSIBLE ENTRANCE.

4.14 ENTRANCES. ENTRANCES SHALL BE PROVIDED FOR EACH BUILDING WITH ACCESSIBLE PARKING. ACCESSIBLE ENTRANCES SHALL BE PROVIDED AND LOCATED CONSIDERED TO THE ACCESSIBLE ENTRANCE.

4.15 DRINKING FOUNTAINS AND WATER COOLERS. DRINKING FOUNTAINS AND WATER COOLERS SHALL BE PROVIDED FOR EACH BUILDING WITH ACCESSIBLE PARKING. ACCESSIBLE DRINKING FOUNTAINS AND WATER COOLERS SHALL BE PROVIDED AND LOCATED CONSIDERED TO THE ACCESSIBLE ENTRANCE.



DAMMON
ENGINEERING, INC.
CHIEF ENGINEER
ENNETT
DAMMON, P.E.
CHIEF ARCHITECT
ROBERT
WILFSE

554 OLD SPANISH TRAIL
SLIDELL, LA, 70458
OFFICE: 985-649-5632
FAX: 985-641-5950

WWW.DAMMONENGINEERING.COM
EMAIL:
DAMMONENR@BELL.SOUTH.NET

ARCHITECTURE
ENGINEERING
STUDIES
PLANNING
INVESTIGATION
EXPERT WITNESS

PAUL REES
OFFICE BUILDING
2175 8TH. ST.
MANDEVILLE, LA
70471

HANDICAP
REQUIREMENTS

SCALE: AS NOTED
JOB#: 2104
DATE: 05-20-11
SHEET 15
H-1
OF 20