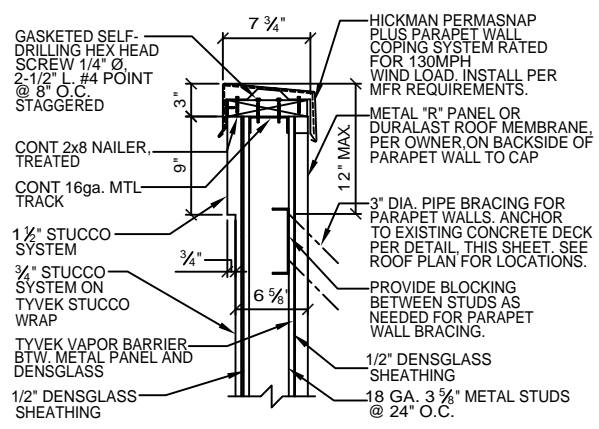
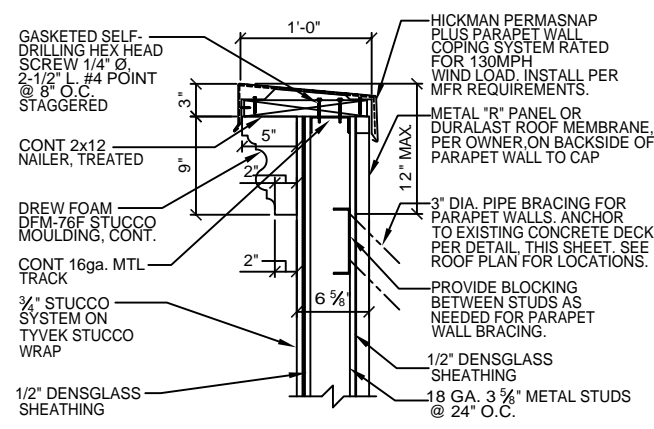


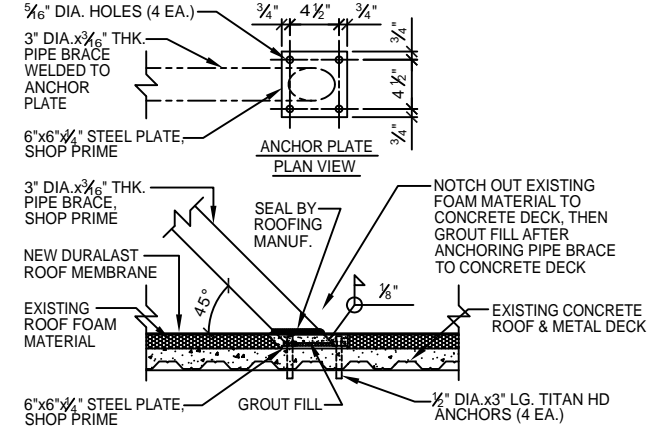
ROOF TO PARAPET SECTION D
SCALE: 1 1/2"=1'
A3/A3



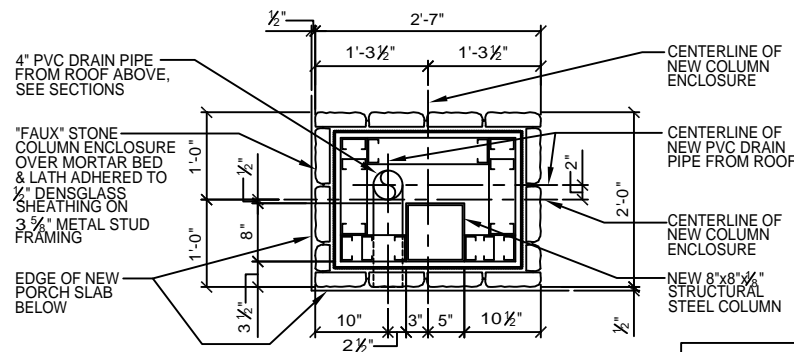
PARAPET SECTION E
SCALE: 1 1/2"=1'
A2/A3



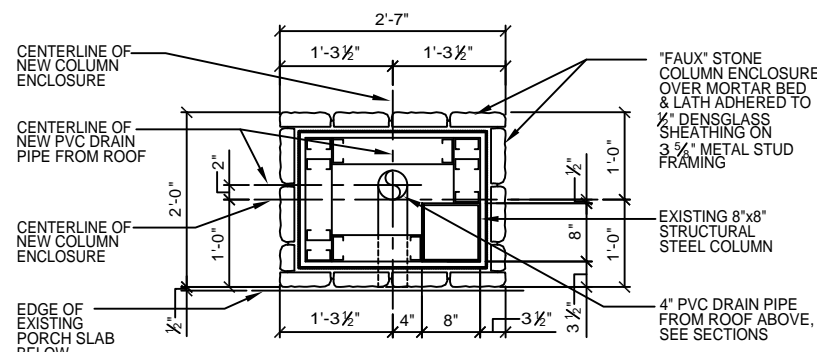
PARAPET SECTION F
SCALE: 1 1/2"=1'
A2/A3



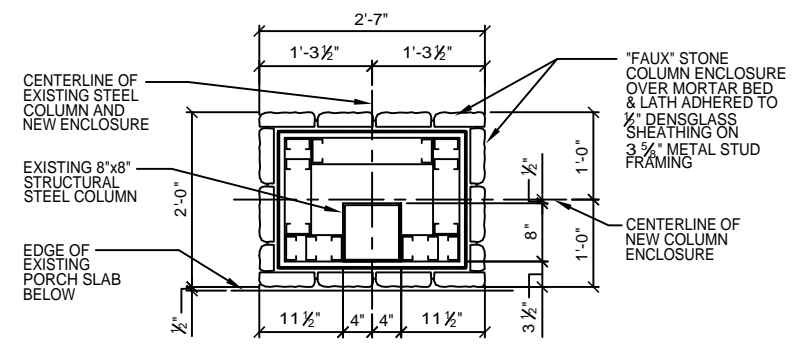
PARAPET BRACE ANCHOR DETAIL G
SCALE: 1 1/2"=1'
A2/A3



COLUMN ENCLOSURE DETAIL 1
SCALE: 1"=1'
COLUMN A-1
A1/A4

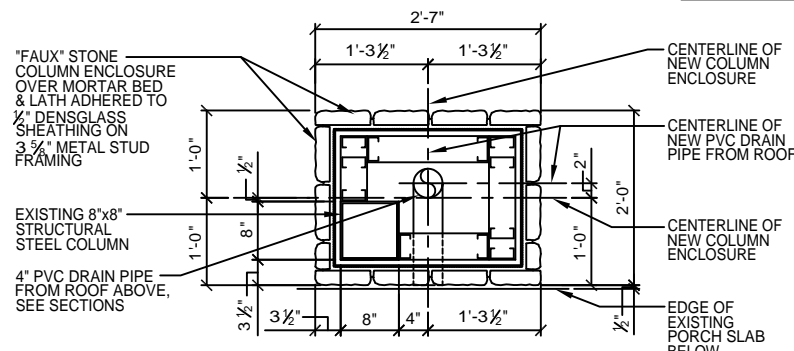


COLUMN ENCLOSURE DETAIL 2
SCALE: 1"=1'
COLUMNS A-2, A-3, A-4
A1/A4

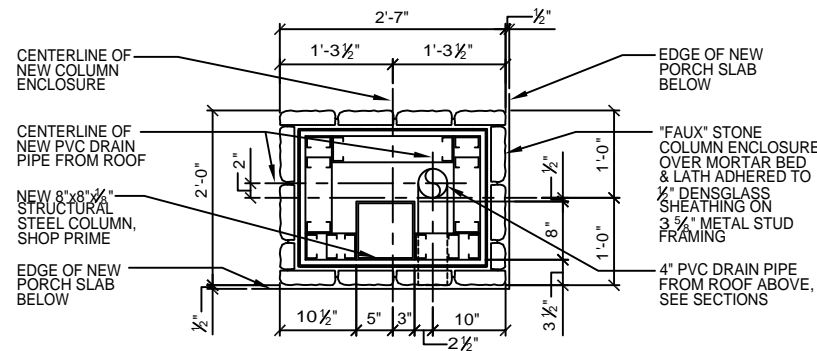


COLUMN ENCLOSURE DETAIL 3
SCALE: 1"=1'
COLUMN A-5
A1/A4

NOTE: RAMSET ANCHOR ALL METAL STUD TRACKS IN COLUMN ENCLOSURES TO EXISTING OR NEW CONCRETE

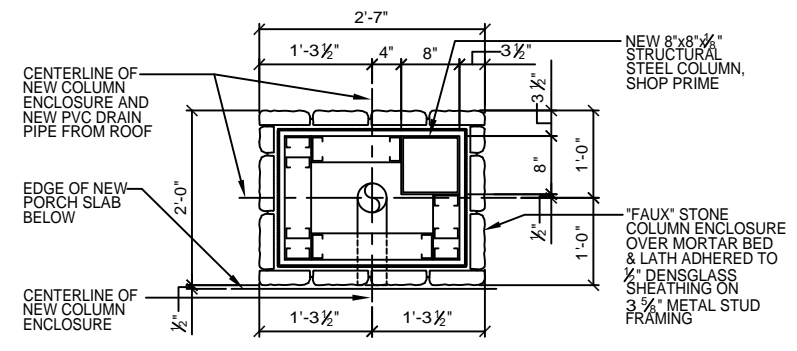


COLUMN ENCLOSURE DETAIL 4
SCALE: 1"=1'
COLUMNS A-6, A-7, A-8
A1/A4

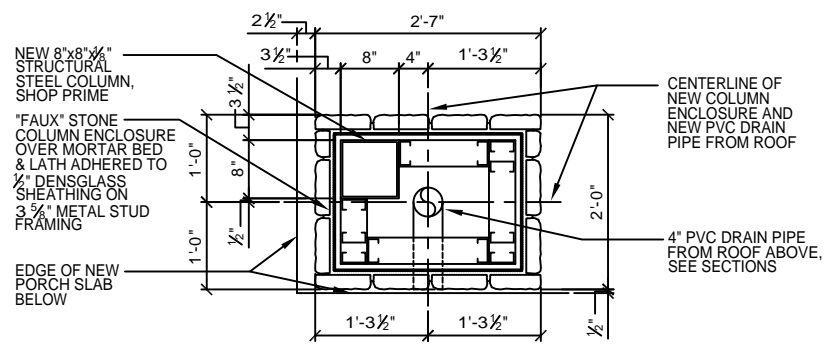


COLUMN ENCLOSURE DETAIL 5
SCALE: 1"=1'
COLUMN A-9
A1/A4

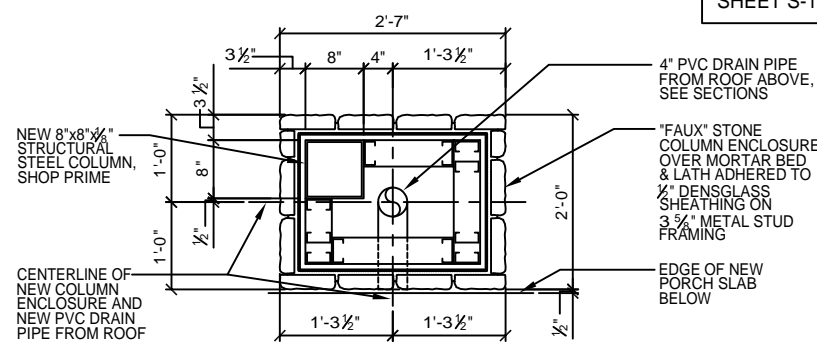
NOTE: FOR NEW COLUMNS' BASE ANCHOR PLATE AND FOOTING DETAILS SEE SHEET S-1.



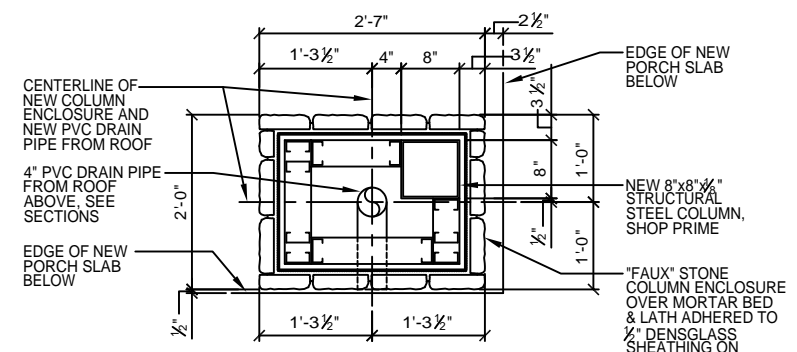
COLUMN ENCLOSURE DETAIL 6
SCALE: 1"=1'
COLUMN B-1
A1/A4



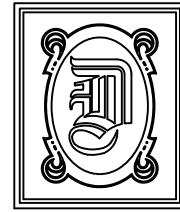
COLUMN ENCLOSURE DETAIL 7
SCALE: 1"=1'
COLUMN C-1
A1/A4



COLUMN ENCLOSURE DETAIL 8
SCALE: 1"=1'
COLUMN B-9
A1/A4



COLUMN ENCLOSURE DETAIL 9
SCALE: 1"=1'
COLUMN C-9
A1/A4



DAMMON
ENGINEERING, INC.

CHIEF ENGINEER
EMMETT
DAMMON, P.E.

CHIEF ARCHITECT
ROBERT
WILTSE

554 OLD SPANISH TRAIL
SLIDELL, LA. 70458
OFFICE: 985-649-5832
FAX: 985-641-5950

WEBSITE:
WWW.DAMMONENGINEERING.COM

EMAIL:
DAMMONENG@BELLSOUTH.NET

ARCHITECTURE
ENGINEERING
STUDIES
PLANNING
INVESTIGATION
EXPERT WITNESS

TIVOLI PLAZA
RENOVATION

1265 GAUSE
BOULEVARD
SLIDELL,
LOUISIANA
70458

NEW
ROOF AND
COLUMN
DETAILS

REV:

SCALE: AS NOTED

JOB#: 2117

DATE: 07-20-11

SHEET 7

A-4

OF 7