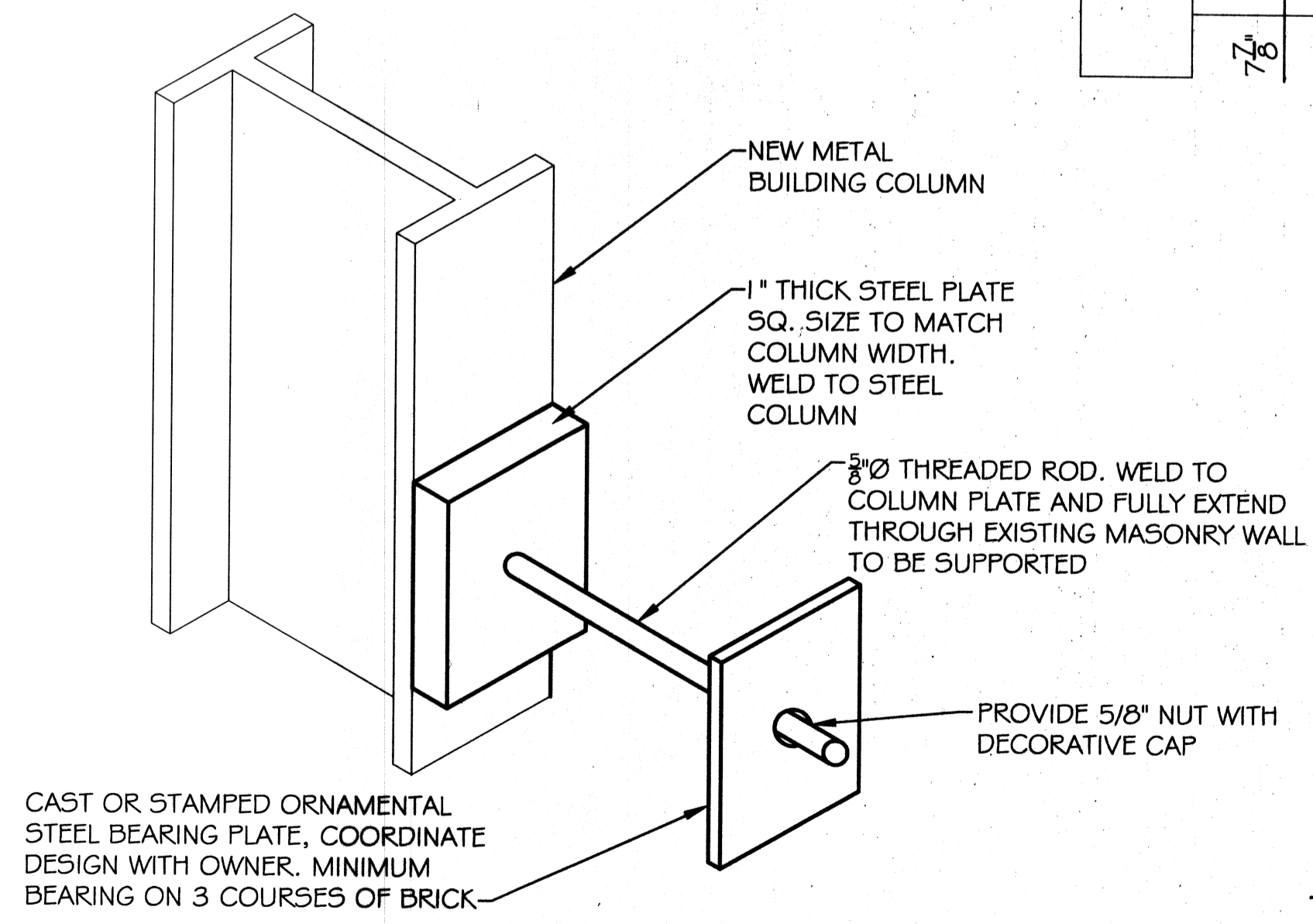


BUILDING SECTION
SCALE: 1/2" = 1'-0"



BEARING PLATE DETAIL
SCALE: N.T.S.

SHELL ONLY

DAMMON
ENGINEERING & ARCHITECTS

Architects & Engineers

CHIEF ENGINEER: ENNETT DAMMON, P.E.
CHIEF ARCHITECT: ROBERT WILDE

**OLDE TOWN SLIDELL
FIRE DAMAGE REHABILITATION**
227 & 295 COUSIN STREET
SLIDELL, LA 70458

#	DESCRIPTION	DATE

REVISIONS

DATE

DESCRIPTION

REVIEWED FOR STATE FIRE MARSHAL AS PER REVIEW LETTER BY: WILLIAM D. JONES, ARCHITECT, CBO

William D. Jones

BUILDING SECTION

SHEET No. 5 OF 9

A-2