

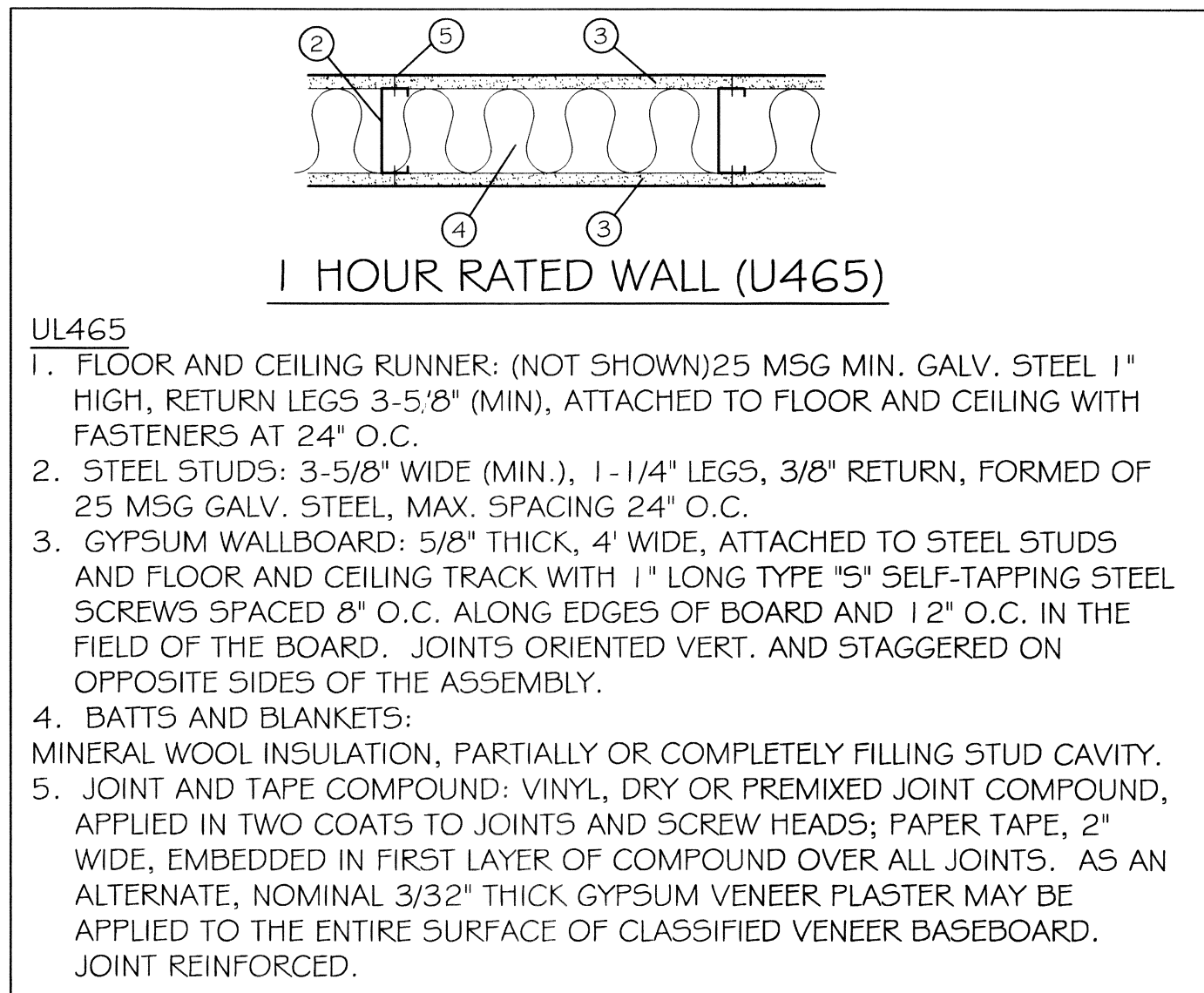
DOOR # HARDWARE SCHEDULE						
MARK	SIZE	DOOR TYPE	FRAME	HDWR. NO.	STC	REMARKS
EXTERIOR DOORS						
1	1-3/4x3/0x6/8	SOLID WD. PANEL DOOR W/SIDE LITES	CUSTOM WOOD FRAME	1	NA	
2	1-3/4x3/0x6/8	FLUSH GALV. HOL. MET. STEEL INSUL.	GALV. PTD. HOL. MET.	1	NA	GALVANIZING TO BE G90
INTERIOR DOORS						
3	1-3/4x3/0x6/8	FLUSH SOLID CORE WD.	PTD. HOL. MET.	2	NA	

DOOR HARDWARE SCHEDULE:
 1. PROVIDE NEW HARDWARE, KEYPED HANDLE, AUTO CLOSER, WEATHER STRIPPING, BALL BEARING HIGES.
 2. AUTO CLOSER, PUSH/PULL DOOR STOP, BALL BEARING HINGES.

WINDOW SCHEDULE			
MARK	SIZE (WxH)	TYPE	REMARKS
A	5/0x7/0	CUSTOM MADE TO FIT EXISTING OPENING	FIELD VERIFY
B	4/0x7/0	CUSTOM MADE TO FIT EXISTING OPENING	FIELD VERIFY

GENERAL NOTES

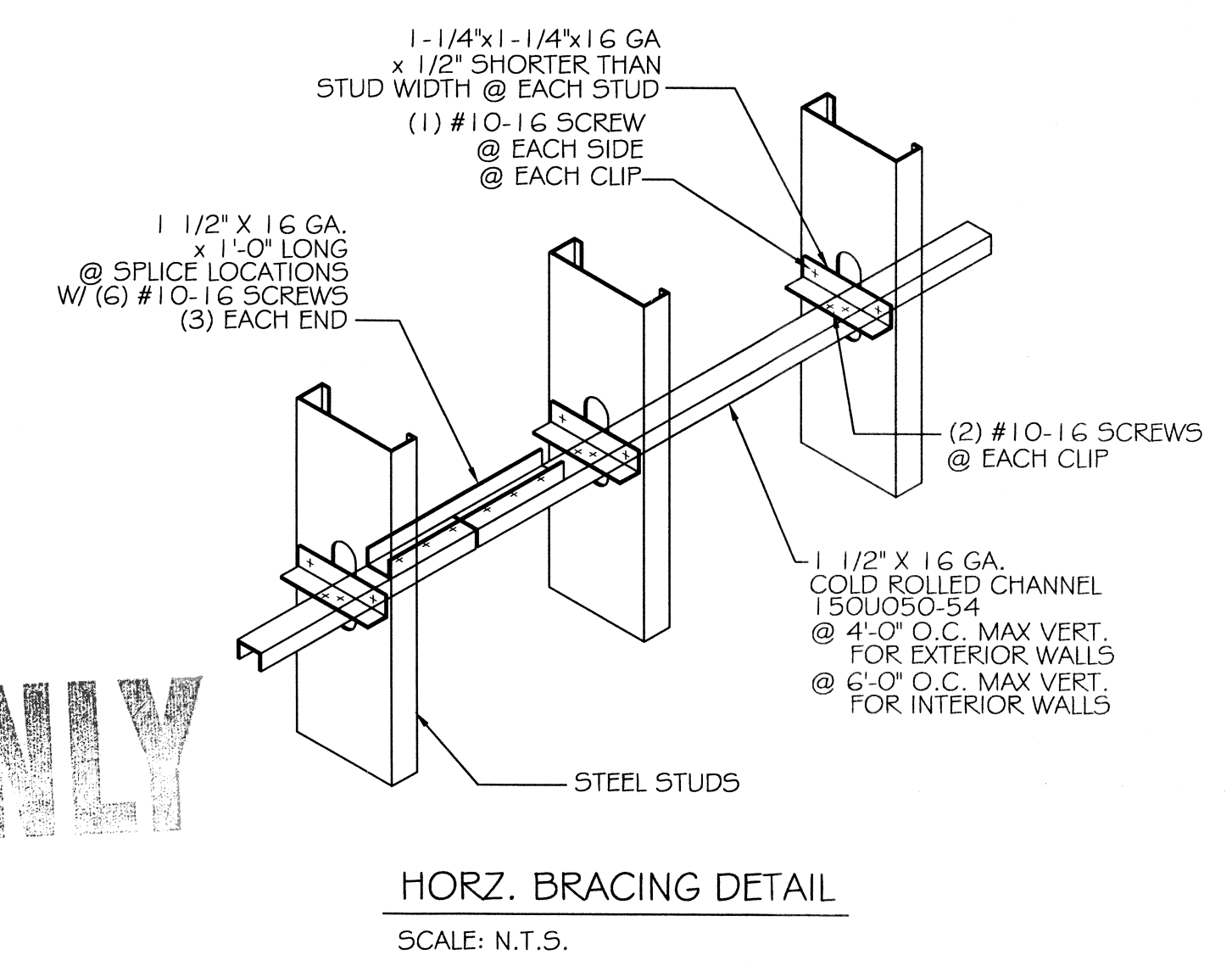
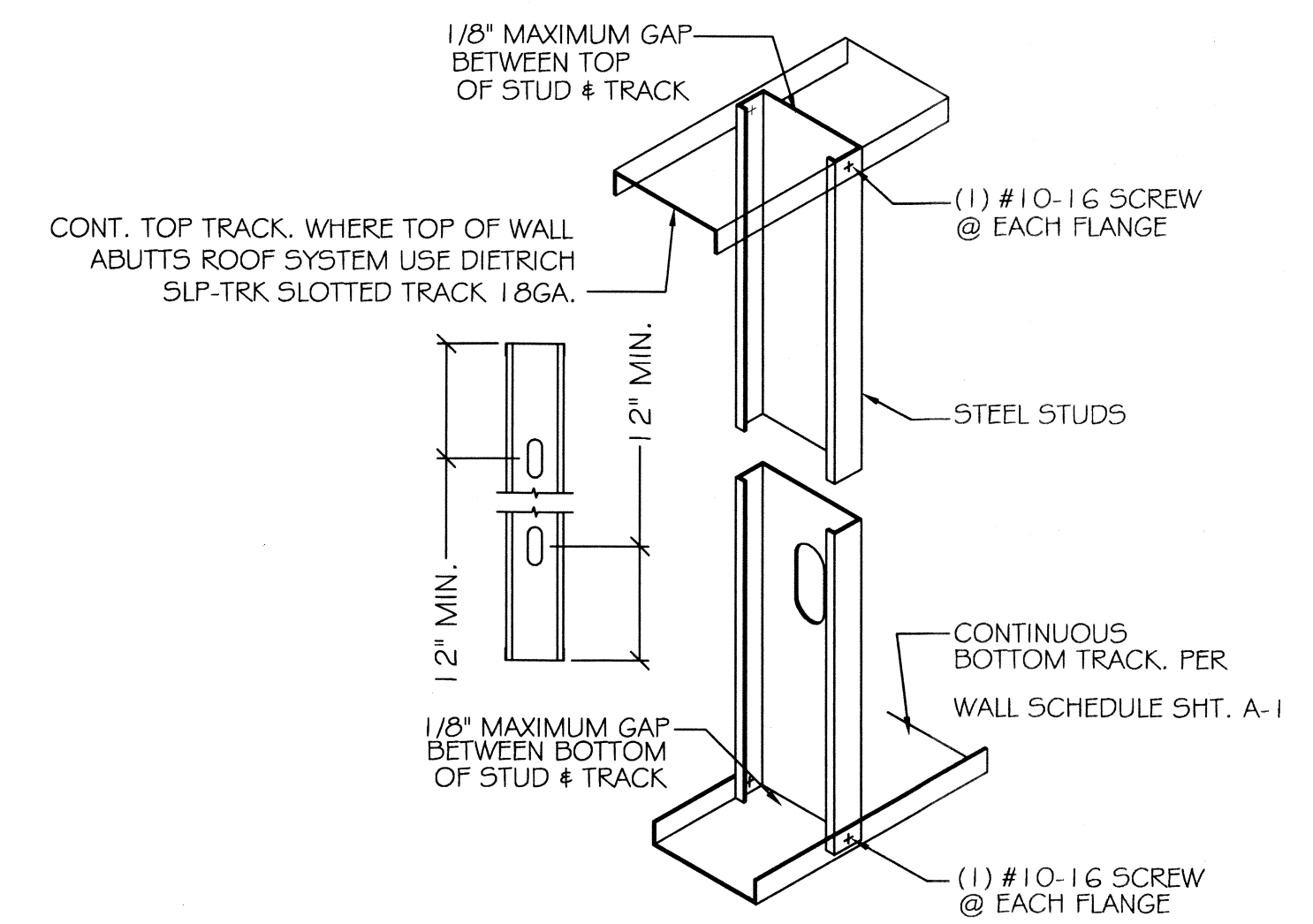
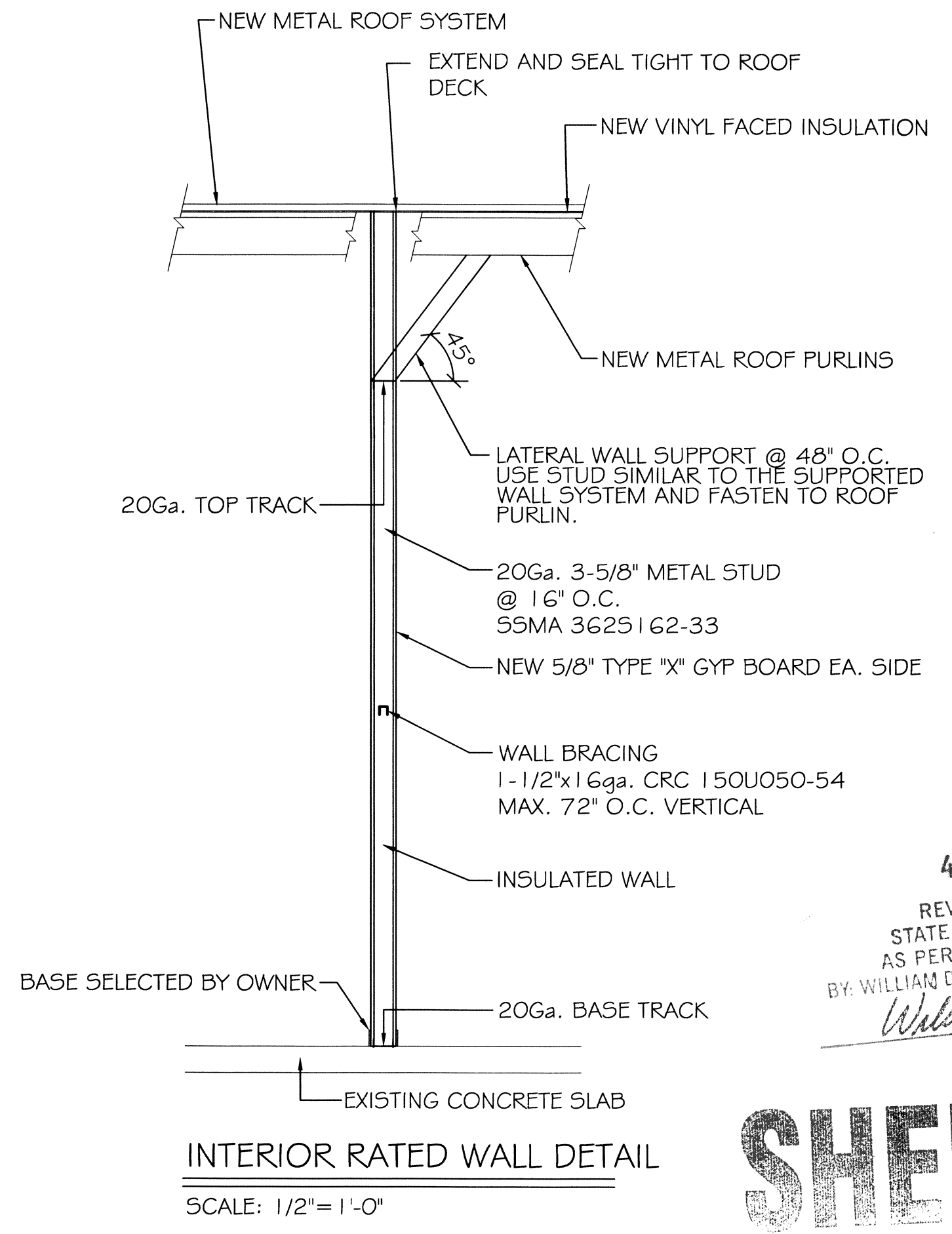
- INSULATION AND INSULATION ASSEMBLIES SHALL MEET THE REQUIREMENTS OF SECTION 719.
 - CONCEALED INSULATION SHALL HAVE A FLAME SPREAD OF 0-25 AND SMOKE DEVELOPED INDEX OF 0-450. EXCEPT THAT IN COMBUSTIBLE (WOOD FRAME) CONSTRUCTION.
 - FACING SHALL COMPLY WITH IBC 2009.
- PROVIDE 5x5' LANDINGS, LEVEL WITH FINISHED FLOOR, OUTSIDE EXTERIOR DOORS. THRESHOLDS SHALL BE NOT MORE THAN 1/2" IN HEIGHT AND SHALL BE BEVELED IF MORE THAN 1/4". MAX SLOPE 1:48
- CONTRACTOR TO VERIFY ALL SITE CONDITIONS, BUILDING LOCATIONS, AND DIMENSIONS PRIOR TO CONSTRUCTION.
- MATERIALS SHALL BE NEW AND U.L. LISTED.
- NO WORK SHALL BE CONCEALED UNTIL APPROVED BY LOCAL INSPECTORS.
- CONSTRUCTION SHALL COMPLY WITH ALL PARISH, STATE, AND LOCAL CODES.
- CONTRACTOR TO GUARANTEE WORK FOR ONE YEAR.
- CONTRACTOR SHALL FURNISH WATER AND POWER FROM EXISTING SOURCES.
- EXTERIOR CAULKING SHALL BE THIKOL CAULK.
- PAINT GRADE TO SHALL BE SHERWIN WILLIAMS OR EQUIVALENT. ALL WORK TO RECEIVE 3 COATS. COLOR SELECTION BY OWNER.
- PROVIDE CLEANUP ON A REGULAR BASIS. NO TRASH STORED IN BUILDING.
- ALL BATT INSULATION SHALL HAVE A CLASS "A" (0-25) FLAME SPREAD IN COMPLIANCE WITH APPLICABLE CODE.
- USE 6" STUDS, OR 4" STAGGERED STUDS AT ALL PLUMBING WALLS.
- PROVIDE GALVANIZED METAL PAN WITH DRAIN AT WATER HEATER LOCATION.
- ALL CORNERS SHALL BE PROPERLY BRACED FOR WIND LOADS. A 48" SHEATHING SHALL BE PROVIDED EVERY 20 FEET OF WALL LENGTH.
- INTERIOR LOCKS ON DOORS IN MEANS OF EGRESS SHALL NOT REQUIRE THE USE OF A KEY, SPECIAL KNOWLEDGE, OR SPECIAL DEVICE TO OPEN IN THE DIRECTION OF EGRESS. ALL DOORS SHALL HAVE LEVER TYPE HANDLES.
- INTERIOR WALLS AND CEILINGS SHALL HAVE A FLAME SPREAD OF 0-200 AND A SMOKE DEVELOPMENT RATING OF 0-450.
- ALL WORK SHALL COMPLY WITH THE LATEST EDITION OF ALL LOCAL, STATE, AND NATIONAL CODES COVERING THE TYPE OF WORK BEING PERFORMED.
- PROVIDE PORTABLE FIRE EXTINGUISHERS IN ACCORDANCE WITH NFPA 101. SEE APPENDIX "E" OF NFPA 101 FOR DISTRIBUTION OF EXTINGUISHERS.
- ALL FIRE WALLS SHALL EXTEND TIGHT TO ROOF DECK AND BE SEALED WITH AN APPROVED FIRE CAULK.
- ALL ELECTRICAL, MECHANICAL, AND PLUMBING MATERIALS PENETRATING FIRE WALLS SHALL BE FIRE CAULKED. (PENETRATIONS THROUGH RATED CONSTRUCTION SHALL BE SEALED WITH A MATERIAL CAPABLE OF PREVENTING THE PASSAGE OF FLAMES AND HOT GASES WHEN TESTED IN ACCORDANCE WITH ASTM-E814.)
- SERVICE COUNTER SHALL HAVE A HCP ACCESSIBLE WRITING SURFACE, MAX. 36" FROM F.F. (ADAAG MANUAL 1998, PG 135)
- ALL FINISHES / COLORS TO BE SELECTED BY OWNER.



LEGEND:

SAT	SUSPENDED ACOUSTICAL TILE
CT	CERAMIC TILE
CPTT	CARPETED TILE
RB	RUBBER BASE 4" HIGH
GYP	5/8" SHEET ROCK

FINISH SCHEDULE									
ROOM NUMBER	ROOM NAME	WALLS	EXTEND WALL TO ROOF DECK CARDINAL DIRECTION	FLOOR	WALL BASE	WAINSCOT	CEILING	CLG HGT	NOTE
100	FUTURE TENANT	N/A	N/A	N/A	NA	NA	NA		OPEN
101	FUTURE TENANT	N/A	N/A	N/A	NA	NA	NA		OPEN
102	WOMEN'S ROOM	5/8" GYP. BD. PTD.	N/A	CT	CT	4' MIN. CT	5/8" GYP. BD. PTD.	9'	2X12 C.J. @ 16" O.C. W/ 3/4" PLYWOOD DECKING
103	MEN'S ROOM	5/8" GYP. BD. PTD.	N/A	CT	CT	4' MIN. CT	5/8" GYP. BD. PTD.	9'	2X12 C.J. @ 16" O.C. W/ 3/4" PLYWOOD DECKING



419526
 REVIEWED FOR STATE FIRE MARSHAL AS PER REVIEW LETTER BY: WILLIAM D. JONES, ARCHITECT, CBO
William D. Jones

SHELL ONLY

DAMMON ENGINEERING, INC.
Architects & Engineers

CHIEF ENGINEER: EMMETT DAMMON, P.E.
 CHIEF ARCHITECT: ROBERT WILSE
 554 OLD SPANISH TRAIL
 SLIDELL, LA 70465

dammonengr.com
 dammonengr@bellsouth.net
 PHONE: 985-649-5832
 FAX: 985-641-1950

OLDE TOWN SLIDELL FIRE DAMAGE REHABILITATION
 227 & 245 QUEEN STREET
 SLIDELL, LA 70459

JOB No: 2146 DATE: 07-26-2012
 DRAWN BY: BSN CHECKED BY: BSN

REVISIONS	DATE	DESCRIPTION

P. Baber

SCHEDULE & DETAILS

SHEET No: 7 OF 9

A-4