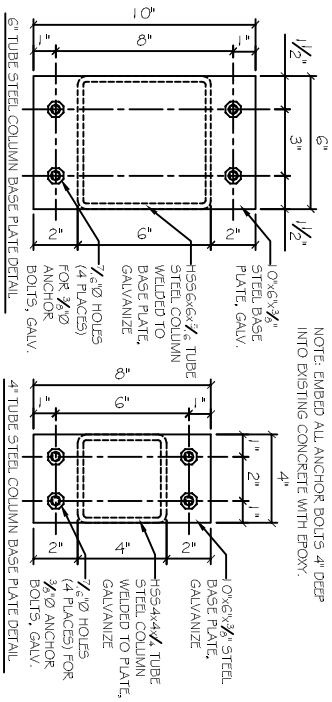
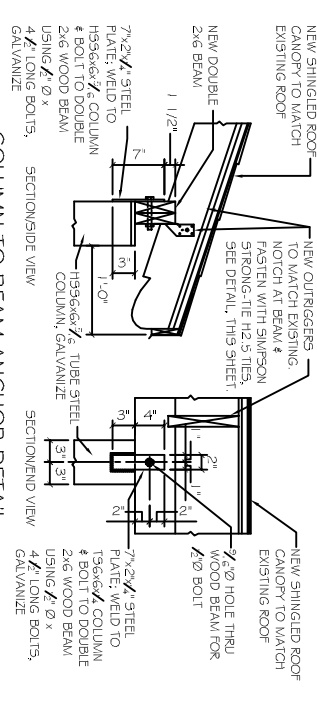


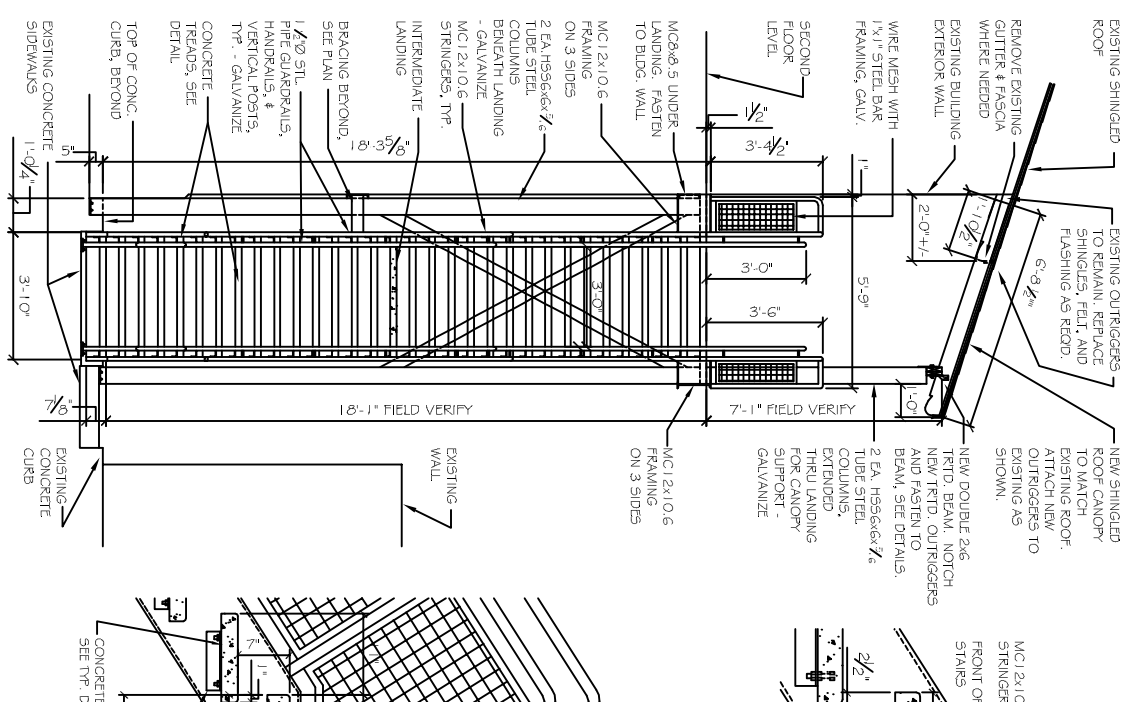
NOTE: EMBED ALL ANCHOR BOLTS 4" DEEP INTO EXISTING CONCRETE WITH EPOXY.



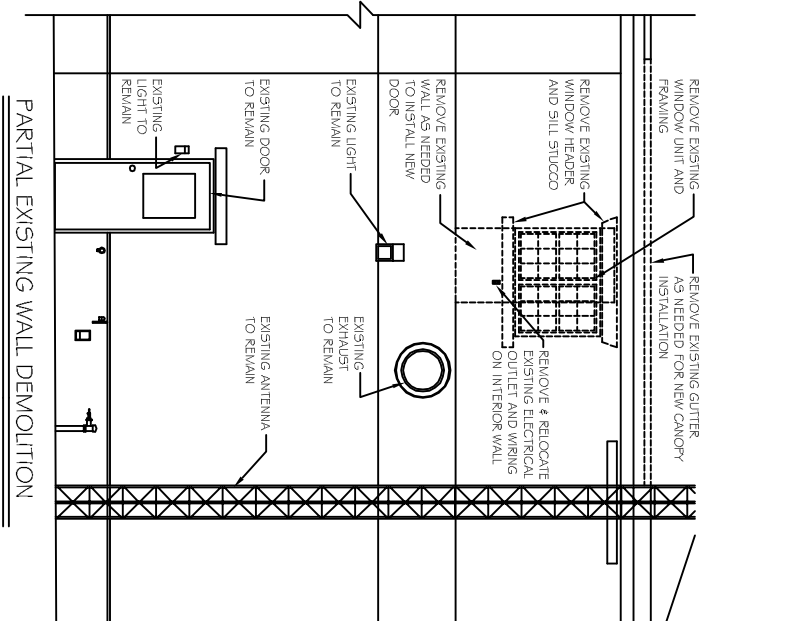
SCALE: 3\"/>



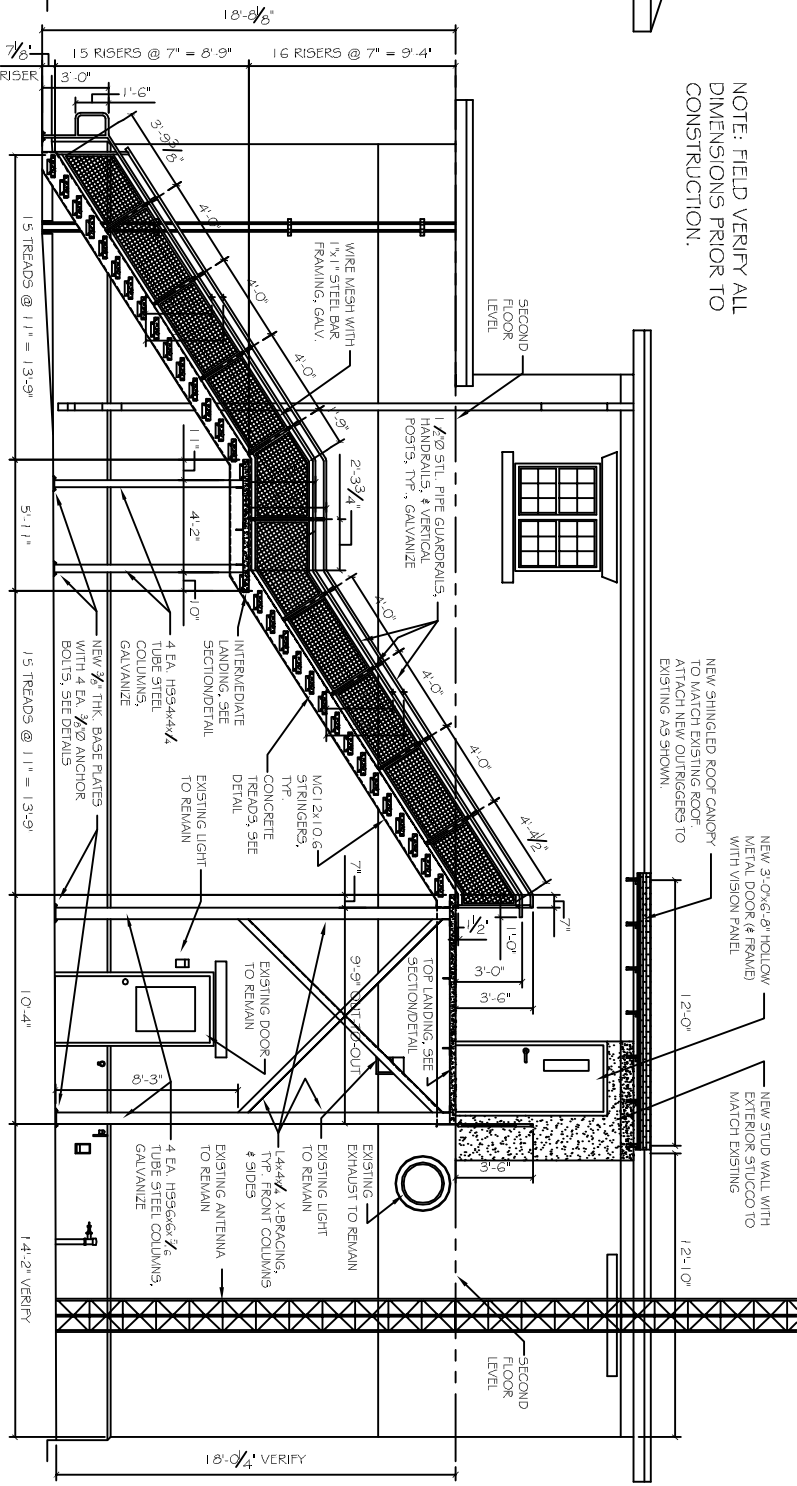
SCALE: N.T.S.



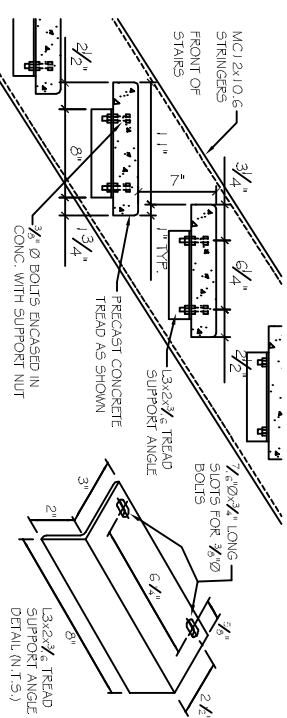
SCALE: 3/8\"/>



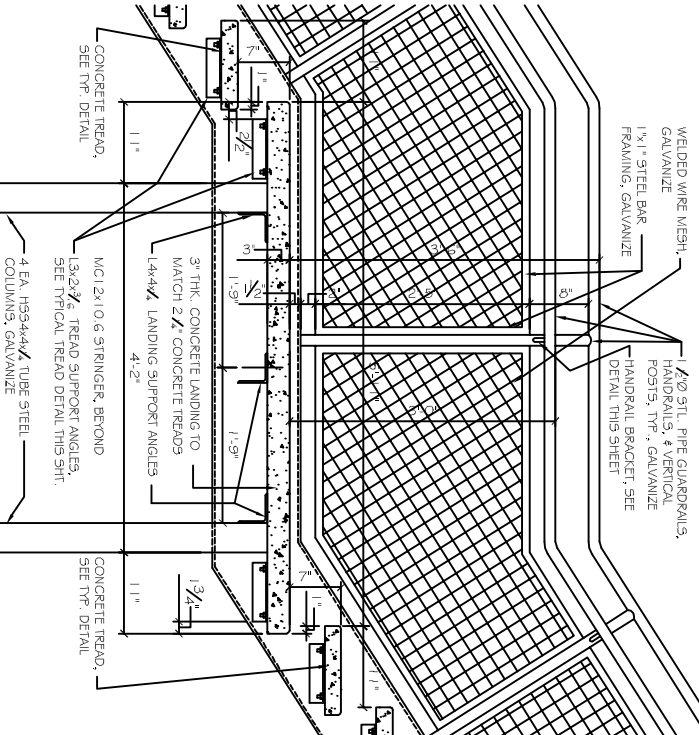
SCALE: 1/4\"/>



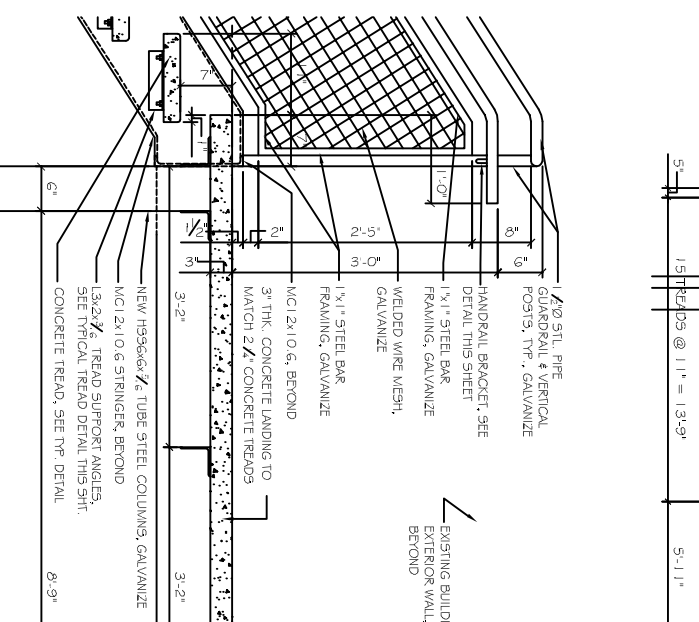
SCALE: 1/4\"/>



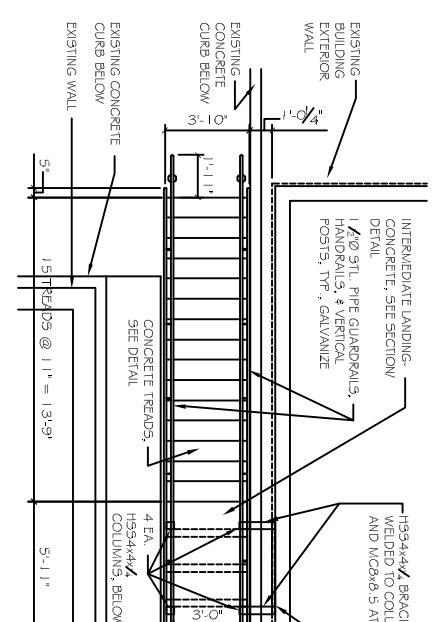
SCALE: 1-1/2\"/>



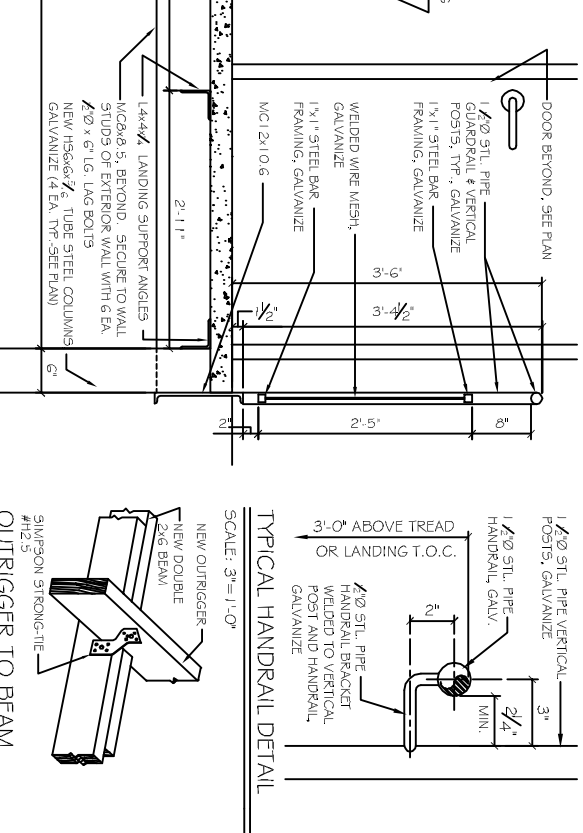
SCALE: 1\"/>



SCALE: 1\"/>



SCALE: 1/4\"/>



SCALE: 3\"/>

SCALE: N.T.S.

NOTE: FIELD VERIFY ALL DIMENSIONS PRIOR TO CONSTRUCTION.

NEW SHINGLED ROOF CANOPY ATTACH NEW OUTRIGGERS TO EXISTING AS SHOWN.

NEW STUD WALL WITH METAL DOOR (4 FRAMED) WITH VISION PANEL.

NEW STUD WALL TO MATCH EXISTING EXTERIOR STUCCO TO MATCH EXISTING.

**FIRE STATION # 11**  
**NEW STAIRS ADDITION**  
 3222 BOULEVARD STREET  
 SUDELL, LA 70466

JOB No: 2159 DATE: 01-15-2013  
 DRAWN BY: JTL CHECKED BY:

**DAMMON ENGINEERING INC.**  
 Architects & Engineers

CHIEF ENGINEER: EMMETT DAMMON, P.E.  
 CHIEF ARCHITECT: KEVIN KINCHEN  
 554 OLD SPANISH TRAIL  
 SUDELL, LA 70466

dammonengineering.com  
 dammoneng@bellsouth.net  
 PHONE: 985-649-5832  
 985-641-5950

WALL DEMO:  
 STAIRS PLAN,  
 SECTION, &  
 DETAILS

SHEET No: **A1** OF