

ABBREVIATIONS

SYMBOLS USED AS ABBREVIATIONS:

∠	ANGLE	EXMP	EXPANDED METAL PLATE	MECH	MECHANIC(AL)	STSM	STANDING SEAM
CL	CENTERLINE	EXP	EXPOSED	MED	MEDIUM	SUS	SUSPENDED
CH	CHANNEL	EXST	EXISTING	MET	METAL	SV	SHEET VINYL
P	PENNY	EXT	EXTERIOR	MFR	MANUFACTURE(ER)	SYM	SYMMETRY(ICAL)
⊥	PERPENDICULAR			MH	MANHOLE	SYN	SYNTHETIC
PL	PLATE	FA	FIRE ALARM	MICRO	MICROWAVE	SYS	SYSTEM
∅	ROUND	FAS	FASTEN	MIN	MINIMUM	T	TREAD
		FB	FACE BRICK	MIR	MIRROR	TB	TOWEL BAR
		FBD	FIBERBOARD	MISC	MISCELLANEOUS	TEL	TELEPHONE
		FBO	FURNISHED BY OTHERS	MMB	MEMBRANE	THK	THICKNESS
		FD	FLOOR DRAIN	MO	MASONRY OPENING	THR	THRESHOLD
		FE	FIRE EXTINGUISHER	MOV	MOVABLE	TOL	TOLERANCE
		FEC	FIRE EXTINGUISHER AND CABINET	MNT	MOUNT(ED)(ING)	TOS	TOP OF STEEL
		FF	FACTORY FINISH	MULL	MULLION	TPD	TOILET PAPER DISPENSER
		FFL	FINISHED FLOOR LINE	MWK	MILLWORK	TRI	TRIPLE
		FHC	FIRE HOSE CABINET	N	NORTH	TSL	TOP OF SLAB
		FIN	FINISH(ED)	NAT	NATURAL	TV	TELEVISION
		FJT	FLUSH JOINT	NIC	NOT IN CONTRACT	TW	TOP OF WALL
		FLG	FLASHING	NL	NAILABLE	TYP	TYPICAL
		FLR	FLOOR	NMT	NONMETALLIC	UC	UNDERCOUNTER
		FLUOR	FLUORESCENT	NOM	NOMINAL	UNF	UNFINISHED
		FLX	FLEXIBLE	NR	NOISE REDUCTION	UNR	UNLESS OTHERWISE NOTED
		FND	FOUNDATION	NRC	NOISE REDUCTION COEFFICIENT	UR	URNAL
		FOC	FACE OF CONCRETE	NTS	NOT TO SCALE	UT	UNDERCUT
		FOF	FACE OF FINISH	OA	OVERALL	VB	VAPOR BARRIER
		FOM	FACE OF MASONRY	OC	ON CENTER(S)	VCJ	VERTICAL CONTROL JOINT
		FO5	FACE OF STUDS	OD	OUTSIDE DIAMETER	VCT	VINYL COMPOSITION TILE
		FPL	FLOOR PLATE	OFI	OWNER FURNISHED, CONTRACTOR INSTALLED	VERT	VERTICAL
		FR	FRAMED/FRAMING	OH	OVERHEAD	VF	VINYL FABRIC
		FRC	FIRE-RESISTANT COATING	OJ	OPEN-WEB JOIST	VIF	VERIFY IN FIELD
		FRG	FORGED	OPG	OPENING	VIN	VINYL
		FRT	FIRE-RETARDANT	OPH	OPPOSITE HAND	VJ	V-JOINT(ED)
		FTG	FOOTING	OPP	OPPOSITE	VNR	VENER
		FUR	FURRED	PB	PANIC BAR	VOJ	VAPOR ON JOB
				PERF	PERFORATE(D)	VR	VAPOR BARRIER
				PERI	PERIMETER	VRM	VERMICULITE
				PFB	PREFABRICATE(D)	VWB	VINYL WALL BASE
				PFN	PREFINISHED	VT	VINYL TILE
				PL	PLATE	W	WEST
				P/L	PROPERTY LINE	W	WITH
				PLAM	PLASTIC LAMINATE	WB	WOOD BASE
				PLAS	PLASTER	WC	WATER CLOSET
				PNL	PANEL	WD	WOOD
				PRF	PREFORMED	WH	WALL HUNG
				PRL	PROPERTY LINE	WM	WIRE MESH
				PSF	POUNDS PER SQUARE FOOT	WP	WATERPROOFING
				PSI	POUNDS PER SQUARE INCH	WPT	WORKING POINT
				PTD	PAINT(ED)	WS	WATERSTOP
				PT	POINT	WSCT	WAINSCOT
				P DISP	PAPER TOWEL DISPENSER	WWF	WELDED WIRE FABRIC
				PTN	PARTITION		
				PTR	PAPER TOWEL RECEPTACLE		
				PV	PAVE(D)(ING)		
				PVC	POLYVINYL CHLORIDE		
				PVMT	PAVEMENT		
				QT	QUARRY TILE		
				R	RISER		
				RA	RETURN AIR		
				RAD	RADIUS		
				RB	RUBBER BASE		
				RBT	RABBET		
				RD	ROOF DRAIN		
				REF	REFERENCE		
				REFR	REFRIGERATOR		
				REG	REGISTER		
				REINF	REINFORCE(D)(ING)		
				RES	RESILIENT		
				RET	RETURN		
				REV	REVISION(S)REVISED		
				RFL	REFLECT(ED)(IVE)(OR)		
				RH	RIGHT HAND		
				RL	RAIL(ING)		
				RM	ROOM		
				RO	ROUGH OPENING		
				ROW	RIGHT OF WAY		
				RT	RUBBER TILE		
				RWC	RAINWATER CONDUCTOR		
				S	SOUTH		
				SC	SOLID CORE		
				SCH	SCHEDULE		
				SD	STORM DRAIN		
				S DISP	SOAP DISPENSER		
				SEC	SECTION		
				SG	SHEET GLASS		
				SH	SHELF/SHELVING		
				SHO	SHORE(D)(ING)		
				SHT	SHEET		
				SHTH	SHEATHING		
				SIM	SIMILAR		
				SL	SLEEVE		
				SNT	SEALANT		
				SP	SOUNDPROOF		
				SPC	SPACER		
				SPEC	SPECIFICATION(S)		
				SPKR	SPEAKER		
				SPL	SPECIAL		
				SQ	SQUARE		
				SSK	SERVICE SINK		
				SST	STAINLESS STEEL		
				ST	STEEL		
				STD	STANDARD		
				STG	SEATING		
				STO	STORAGE		
				STR	STRUCTURAL		
A	FRESH AIR						
ABV	ABOVE						
AC	AIR CONDITIONING						
ACT	ACOUSTICAL TILE						
ADD	ADDENDUM						
ADH	ADHESIVE						
ADJ	ADJUSTABLE						
AFP	ABOVE FINISHED FLOOR						
AGG	AGGREGATE						
ALT	ALTERNATE						
ALUM	ALUMINUM						
ANC	ANCHOR						
ANOD	ANODIZED						
ARCH	ARCHITECTURAL						
ASPH	ASPHALT						
AUTO	AUTOMATIC						
BC	BRICK COURSE						
BD	BOARD						
BEL	BELOW						
BG	BUMPER GUARD						
BJT	BED JOINT						
BIT	BITUMINOUS						
BLDG	BUILDING						
BLK	BLOCK						
BLKG	BLOCKING						
BM	BENCH MARK						
BO	BY OTHERS						
BOT	BOTTOM						
BRG	BEARING						
BRDG	BRIDGE/BRIDGING						
BS	BOTH SIDES						
BW	BOTH WAYS						
CAB	CABINET						
CCTV	CLOSED CIRCUIT TELEVISION						
CEM	CEMENT/CEMENTITIOUS						
CER	CERAMIC						
CFLG	COUNTERFLASHING						
CG	CORNER GUARD						
CHBD	CHALKBOARD						
CJT	CONTROL JOINT						
CK	CAULKING						
CLG	CEILING						
CLR	CLEAR						
CLL	CONTRACT LIMIT LINE						
CMU	CONCRETE MASONRY UNIT						
CNTR	COUNTER						
COL	COLUMN						
COMB	COMBINATION						
COMP	COMPOSITION						
CONC	CONCRETE						
CONST	CONSTRUCTION						
CONT	CONTINUOUS						
CONTR	CONTRACT(OR)						
CORR	CORRUGATED						
CPT	CARPET(ED)						
CRG	COLD ROLLED CHANNEL						
CRS	COURSE(S)						
CS	COUNTERSINK						
CSWK	CASEWORK						
CT	CERAMIC TILE						
CTR	CENTER						
CTRK	CURTAIN TRACK						
CTSK	COUNTERSINK SCREW						
CUB C	CUBICAL CURTAIN						
D	DRAIN						
DBL	DOUBLE						
DEMO	DEMOLISH						
DEP	DEPRESSED						
DIAG	DIAGONAL						
DIAM	DIAMETER						
DIM	DIMENSION						
DISP	DISPENSER						
DIV	DIVISION						
DPR	DAMPER						
D5	DOWNSPOUT						
DTA	DOVETAIL ANCHOR						
DTL	DETAIL						
DT5	DOVETAIL ANCHOR SLOT						
DW	DISHWASHER						
DWR	DRAWER						
DWG	DRAWING						
E	EAST						
EA	EACH						
EB	EXPANSION BOLT						
EJ	EXPANSION JOINT						
EL	ELEVATION						
ELEC	ELECTRICAL						
ELEV	ELEVATOR						
EMER	EMERGENCY						
ENC	ENCLOSURE						
EO	ELECTRICAL OUTLET						
EP	ELECTRICAL PANELBOARD						
EQ	EQUAL						
EQPM	EQUIPMENT						
ETR	EXISTING TO REMAIN						
EWC	ELECTRIC WATER COOLER						
EWH	ELECTRIC WATER HEATER						
EXH	EXHAUST						
EXP	EXPOSED						
EXT	EXISTING						
EXTERIOR							
MECH	MECHANIC(AL)						
MED	MEDIUM						
MET	METAL						
MFR	MANUFACTURE(ER)						
MH	MANHOLE						
MICRO	MICROWAVE						
MIN	MINIMUM						
MIR	MIRROR						
MISC	MISCELLANEOUS						
MMB	MEMBRANE						
MO	MASONRY OPENING						
MOV	MOVABLE						
MOUNT(ED)(ING)							
MULL	MULLION						
MWK	MILLWORK						
N	NORTH						
NAT	NATURAL						
NIC	NOT IN CONTRACT						
NL	NAILABLE						
NMT	NONMETALLIC						
NOM	NOMINAL						
NR	NOISE REDUCTION						
NRC	NOISE REDUCTION COEFFICIENT						
NTS	NOT TO SCALE						
OA	OVERALL						
OC	ON CENTER(S)						
OD	OUTSIDE DIAMETER						
OFI	OWNER FURNISHED, CONTRACTOR INSTALLED						
OH	OVERHEAD						
OJ	OPEN-WEB JOIST						
OPG	OPENING						
OPH	OPPOSITE HAND						
OPP	OPPOSITE						
PB	PANIC BAR						
PERF	PERFORATE(D)						
PERI	PERIMETER						
PFB	PREFABRICATE(D)						
PFN	PREFINISHED						
PL	PLATE						
P/L	PROPERTY LINE						
PLAM	PLASTIC LAMINATE						
PLAS	PLASTER						
PNL	PANEL						
PRF	PREFORMED						
PRL	PROPERTY LINE						
PSF	POUNDS PER SQUARE FOOT						
PSI	POUNDS PER SQUARE INCH						
PTD	PAINT(ED)						
PT	POINT						
P DISP	PAPER TOWEL DISPENSER						
PTN	PARTITION						
PTR	PAPER TOWEL RECEPTACLE						
PV	PAVE(D)(ING)						
PVC	POLYVINYL CHLORIDE						
PVMT	PAVEMENT						
QT	QUARRY TILE						
R	RISER			</			

BUILDING CODE INFORMATION

BUILDING CODE
 IBC (INTERNATIONAL BUILDING CODE) 2009

OCCUPANCY TYPE OF GROUP(S) (IBC 2009 CHAPTER 3):
 MERCHANTILE
 BUSINESS

CONSTRUCTION TYPE(S):
 V-A 4,811 S.F.

MAXIMUM AREA (S.F.):
 MERCHANTILE 573 S.F.
 BUSINESS 4,238 S.F.

REQUIRED SEPARATION OF OCCUPANCIES (TABLE 508.2.5):
 BM NR

MAXIMUM AREA OF EXTERIOR WALL OPENINGS:
 N/A

OCCUPANT LOAD CALCULATIONS BY OCCUPANCY:
 MERCHANTILE 60 S.F./OCCUPANT = 10
 BUSINESS 100 S.F./OCCUPANT = 43
 TOTAL = 53

EXIT REQUIREMENTS:
 FIRST FLOOR - 2 EXITS

MAXIMUM EXIT ACCESS TRAVEL DISTANCE (TABLE 1016.2):
 B - 300' M - 250'

MINIMUM CORRIDOR WIDTH (SECTION 1018.1 # SECTION 1005.1):
 44"

MAXIMUM DEAD END CORRIDOR (SECTION 1018.4):
 50'

MAXIMUM COMMON PATH OF TRAVEL (1014.3):
 B - 100' M - 75'

FIRE RESISTANCE RATING REQUIREMENTS FOR BLDG. ELEMENTS: (TBL 601)
 STRUCTURAL FRAME = 1 HRS.
 BEARING WALLS (INTERIOR AND EXTERIOR) = 1 HRS.
 NON-BEARING INTERIOR WALLS = 0 HRS.
 FLOOR CONSTRUCTION = 1 HRS.
 ROOF CONSTRUCTION = 1 HRS.

LIFE-SAFETY INFORMATION

LIFE SAFETY CODE:
 NFPA 101 LIFE SAFETY CODE 2009

OCCUPANCY:
 MERCHANTILE CHAPTER 26
 BUSINESS CHAPTER 38

REQUIRED SEPARATION:
 N/A

CLASSIFICATION OF HAZARD OF CONTENTS:
 ORDINARY

CONSTRUCTION TYPE(S) - (CHAPTER 8, TABLE A.8.2.1.2)
 V-A
 SPRINKLERED

AREA CALCULATIONS BY OCCUPANCY:
 FIRST FLOOR
 MERCHANTILE 574 S.F.
 BUSINESS 4,237 S.F.
 TOTAL 4,811 S.F.

OCCUPANT LOAD CALCULATIONS BY OCCUPANCY:
 MERCHANTILE 574 S.F. = 20
 BUSINESS 4,237 S.F. = 43
 TOTAL = 63

MEANS OF EGRESS:
 NUMBER OF EXITS - M-2 B-2
 MINIMUM EXIT SEPARATION DISTANCE FOR REMOTELY LOCATED EXITS
 1/3 DIAGONAL 37'-0"

STAIR WIDTH REQUIREMENTS: 36"

EXTINGUISHMENT REQUIREMENTS:
 SPRINKLERED (REQUIRED)

SUBDIVISION OF BUILDING SPACE:
 NONE

DETECTION/ALARM:
 NONE

EXIT REQUIREMENTS:
 2 EXITS

MAXIMUM EXIT ACCESS TRAVEL DISTANCE (TABLE A.7.6):
 M - 250' B - 300'

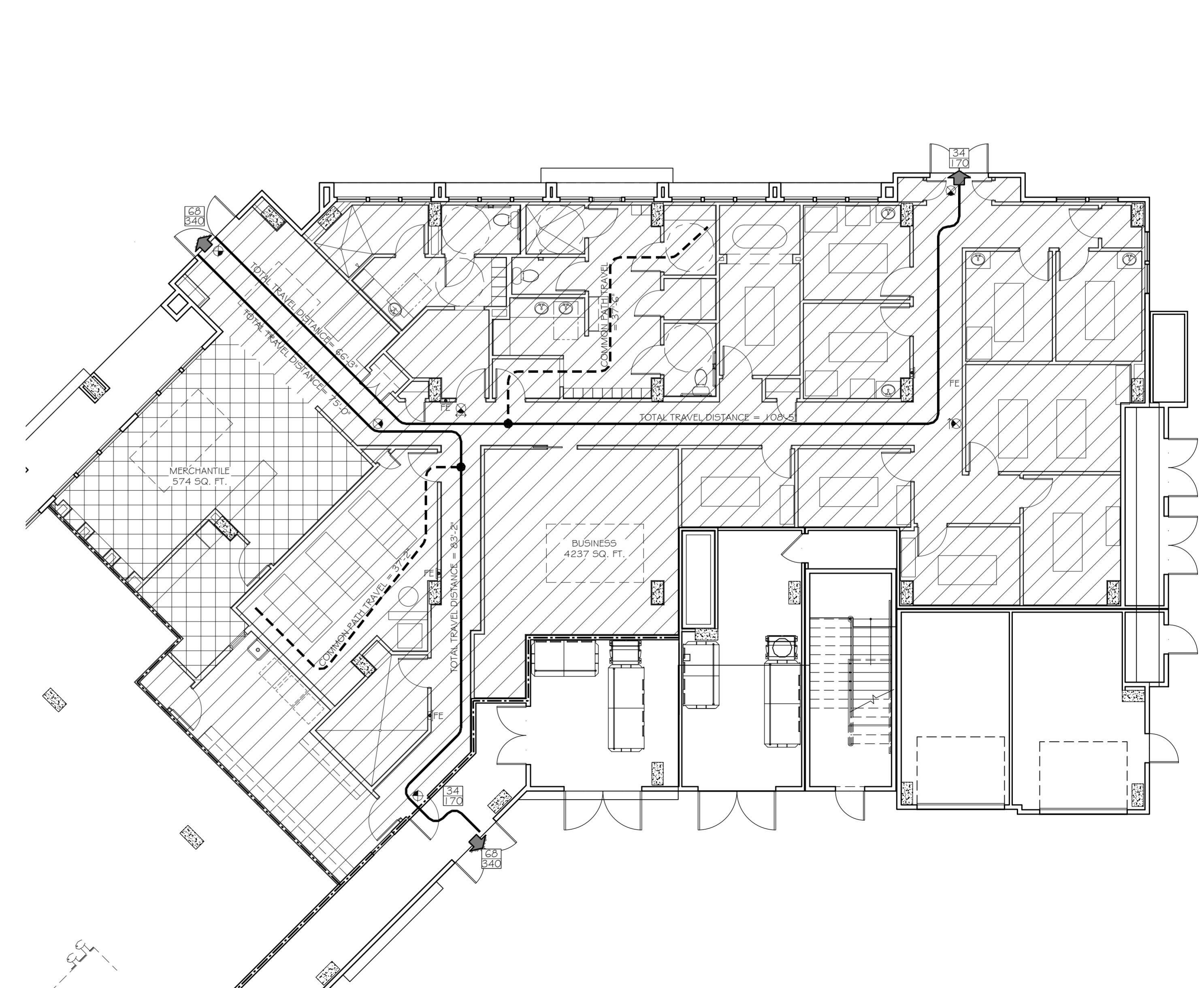
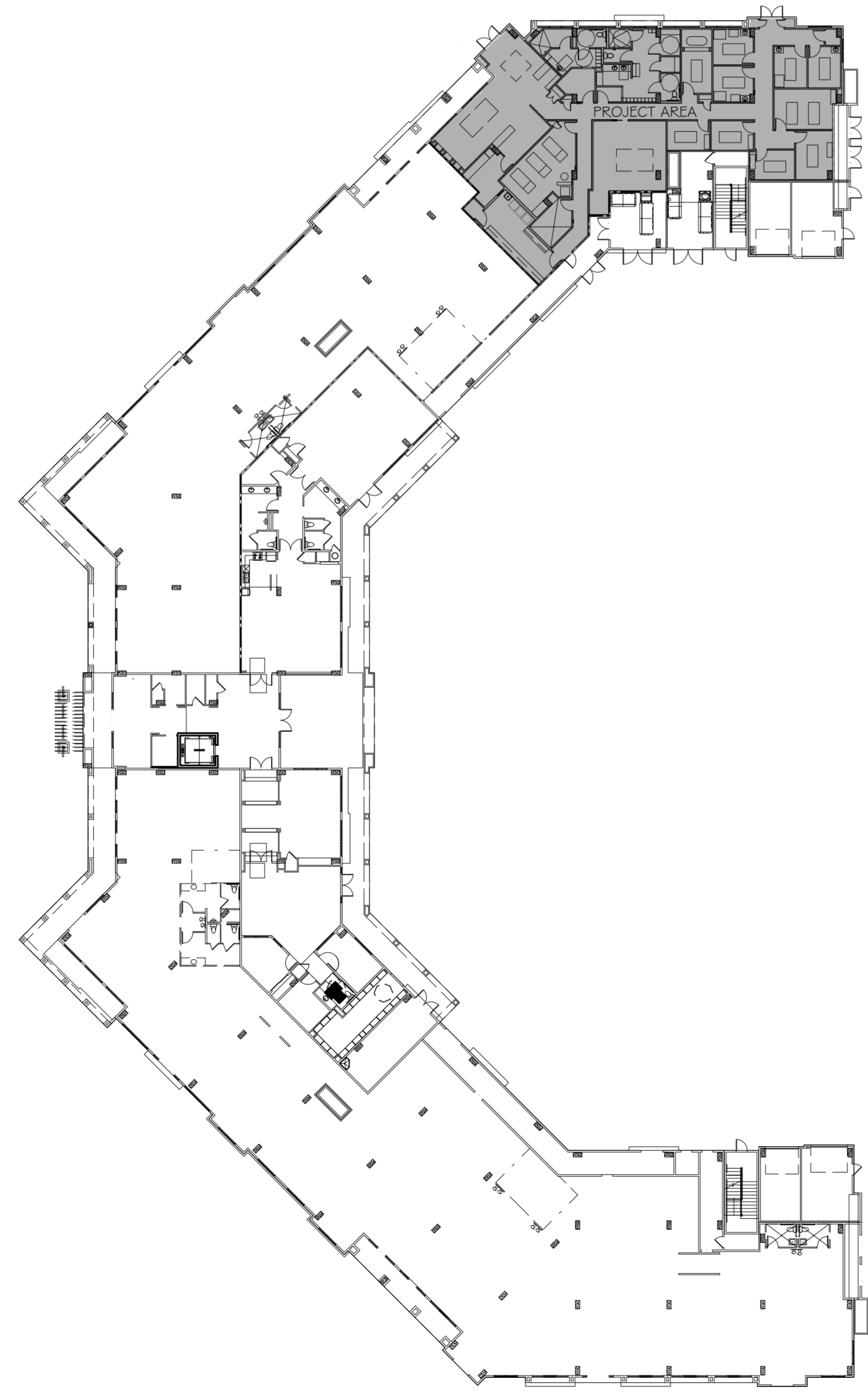
MINIMUM CORRIDOR WIDTH (SECTION 1018.1 # SECTION 1005.1):
 44"

MAXIMUM DEAD END CORRIDOR (TABLE A.7.6):
 50'

MAXIMUM COMMON PATH OF TRAVEL (TABLE A.7.6):
 M - 100' B - 100'

LEGEND

- OCCUPANCIES**
- BUSINESS
 - MERCHANTILE
- SYMBOLS**
- EXITS
 - DOOR FIRE RATING (MINUTES)
 - DOOR WIDTH/EGRESS CAPACITY
 - EXIT LIGHT
 - FIRE EXTINGUISHER CABINET
 - FIRE EXTINGUISHER W/ WALL MOUNTED BRACKET
 - ONE-HOUR RATED PARTITION
 - COMMON PATH OF TRAVEL/TRAVEL DISTANCE
 - TRAVEL DISTANCE
 - DECISION POINT



DAMMON ENGINEERING, INC.
Architects & Engineers

ADMINISTRATIVE: CON
 dammoneng.com
 dammoneng@bellsouth.net
 PHONE: 985-649-5432
 FAX: 985-641-5950

CHIEF ENGINEER: BRADYTT DAMMON, P.E.
 CHIEF ARCHITECT: KEVIN KIRCHEN
 554 OLD SPANISH TRAIL
 SUITE 100
 SUDELL, LA 70455

WOODHOUSE SPA
 THE HIGH GROVE APARTMENTS
 BATON ROUGE, LA

JOB No: 2163 DATE: 5-14-2013
 DRAWN BY: KJK CHECKED BY: KJK

#	DESCRIPTION	DATE

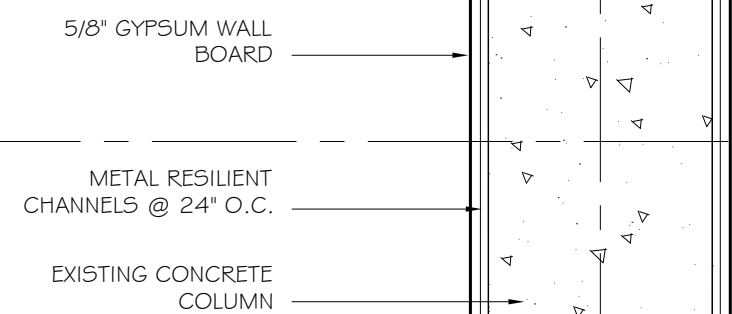
LIFE SAFETY PLANS
NOTES & TABULATIONS

SHEET No: 2 OF 15

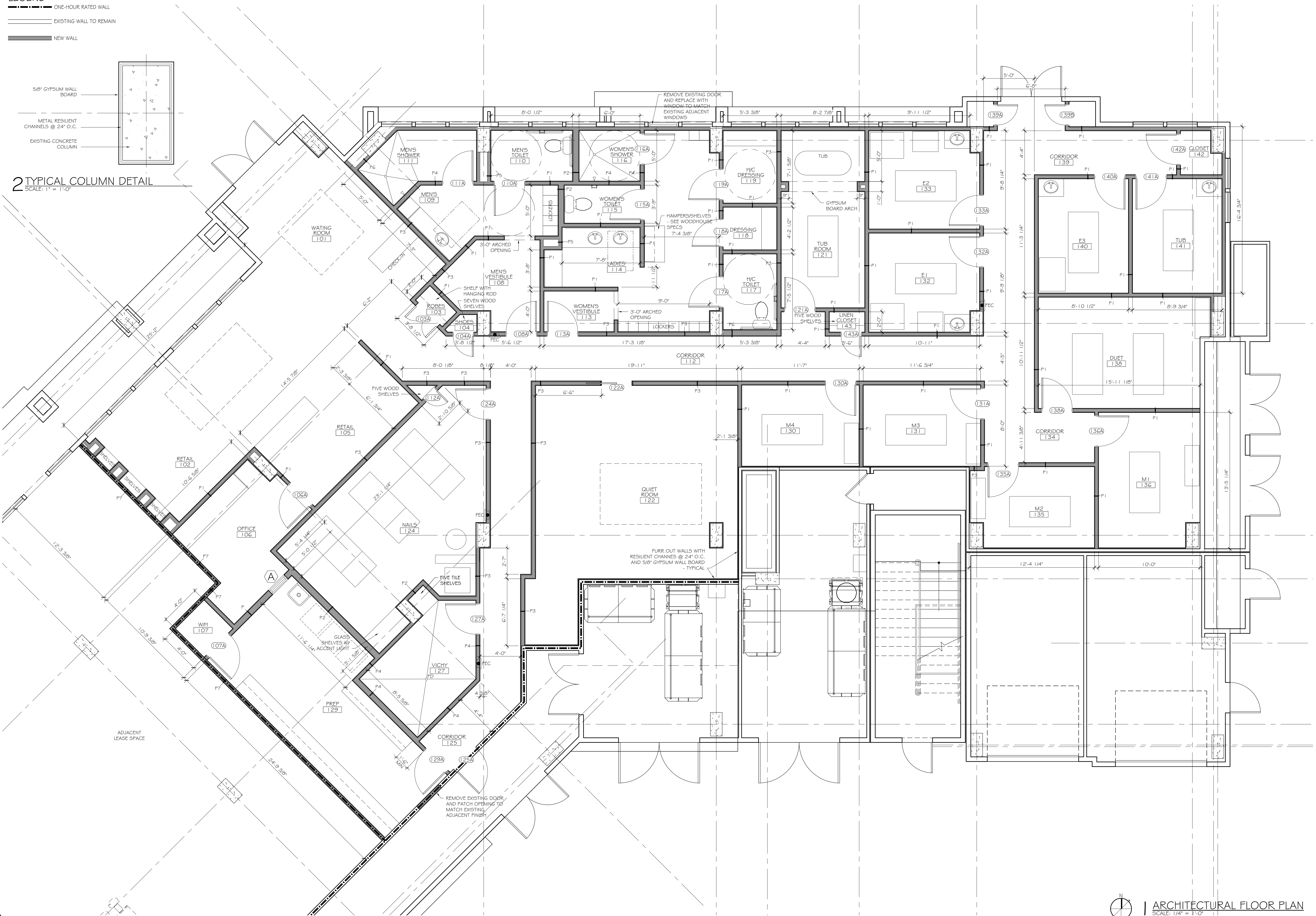
G-2

LEGEND

- ONE-HOUR RATED WALL
- EXISTING WALL TO REMAIN
- NEW WALL



2 TYPICAL COLUMN DETAIL
SCALE: 1" = 1'-0"



DAMMON
ENGINEERING, INC.
Architects & Engineers

ARCHITECT: KEVIN KIRCHEN
PRINCIPAL ARCHITECT: KEVIN KIRCHEN
554 OLD SPANISH TRAIL
SUDDLE, LA 70458
PHONE: 985-649-5332
FAX: 985-641-5950

WOODHOUSE SPA
THE HIGH GROVE APARTMENTS
BATON ROUGE, LA

JOB No: 2163 DATE: 5-14-2013
DRAWN BY: KJK CHECKED BY: KJK

#	DESCRIPTION	DATE

ARCH. FLOOR PLAN

SHEET No: 3 OF 15

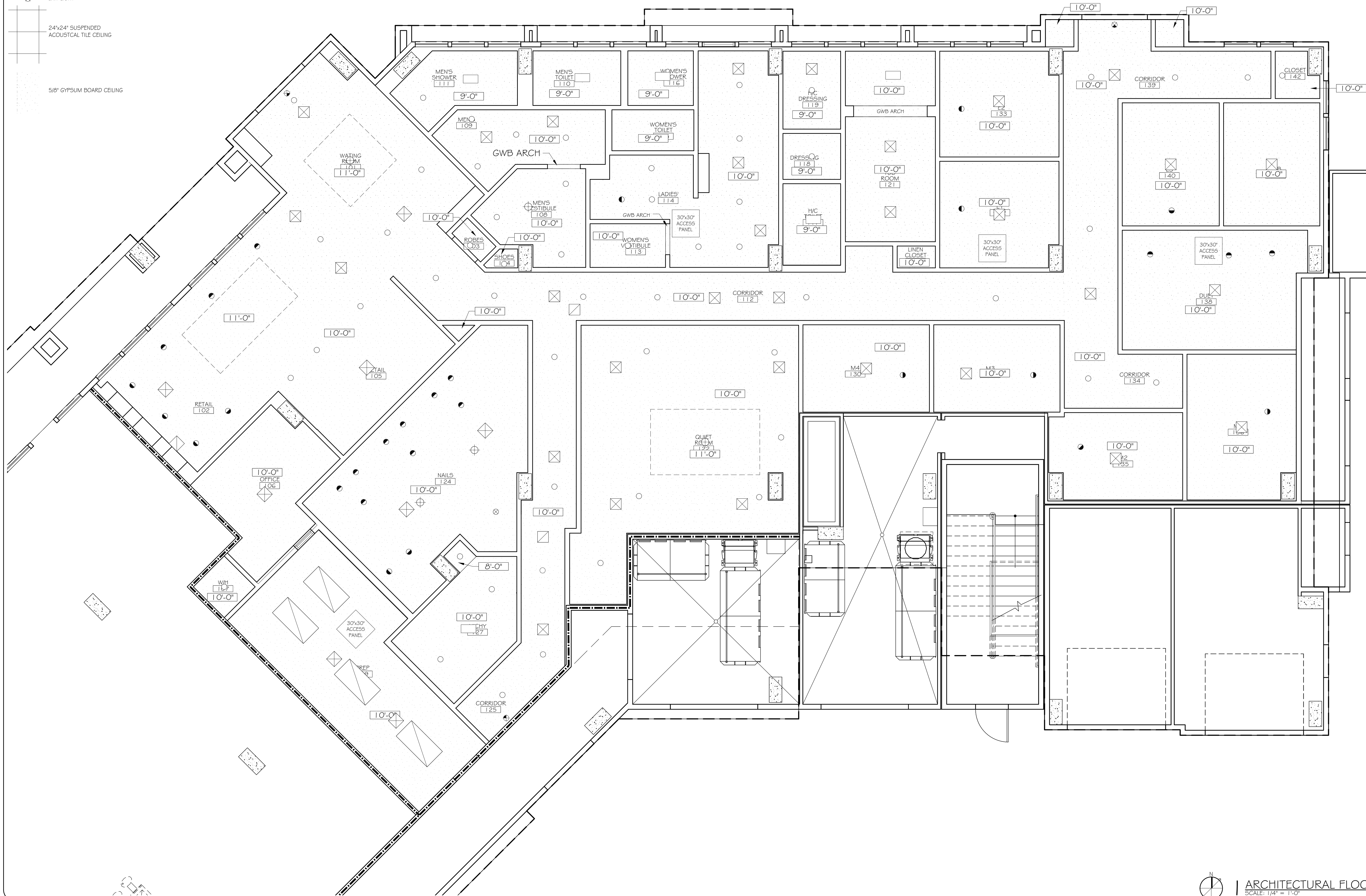
A-1

LEGEND

- RECESSED CAN LIGHT
- DIRECTIONAL RECESSED CAN LIGHT
- ⊗ PENDANT LIGHT
- ⊕ CHANDELIER
- FANLIGHT
- ⊗ EXIT LIGHT

24"x24" SUSPENDED ACOUSTICAL TILE CEILING

5/8" GYPSUM BOARD CEILING



DAMMON
ENGINEERING, INC.
Architects & Engineers

ARCHITECTS: BRAMMETT DAMMON, P.E.
ARCHITECT: KEVIN KIRCHEN
554 OLD SPANISH TRAIL
SUDELL, LA 70458
PHONE: 985-649-5332
FAX: 985-641-5950

WOODHOUSE SPA
THE HIGH GROVE APARTMENTS
BATON ROUGE, LA

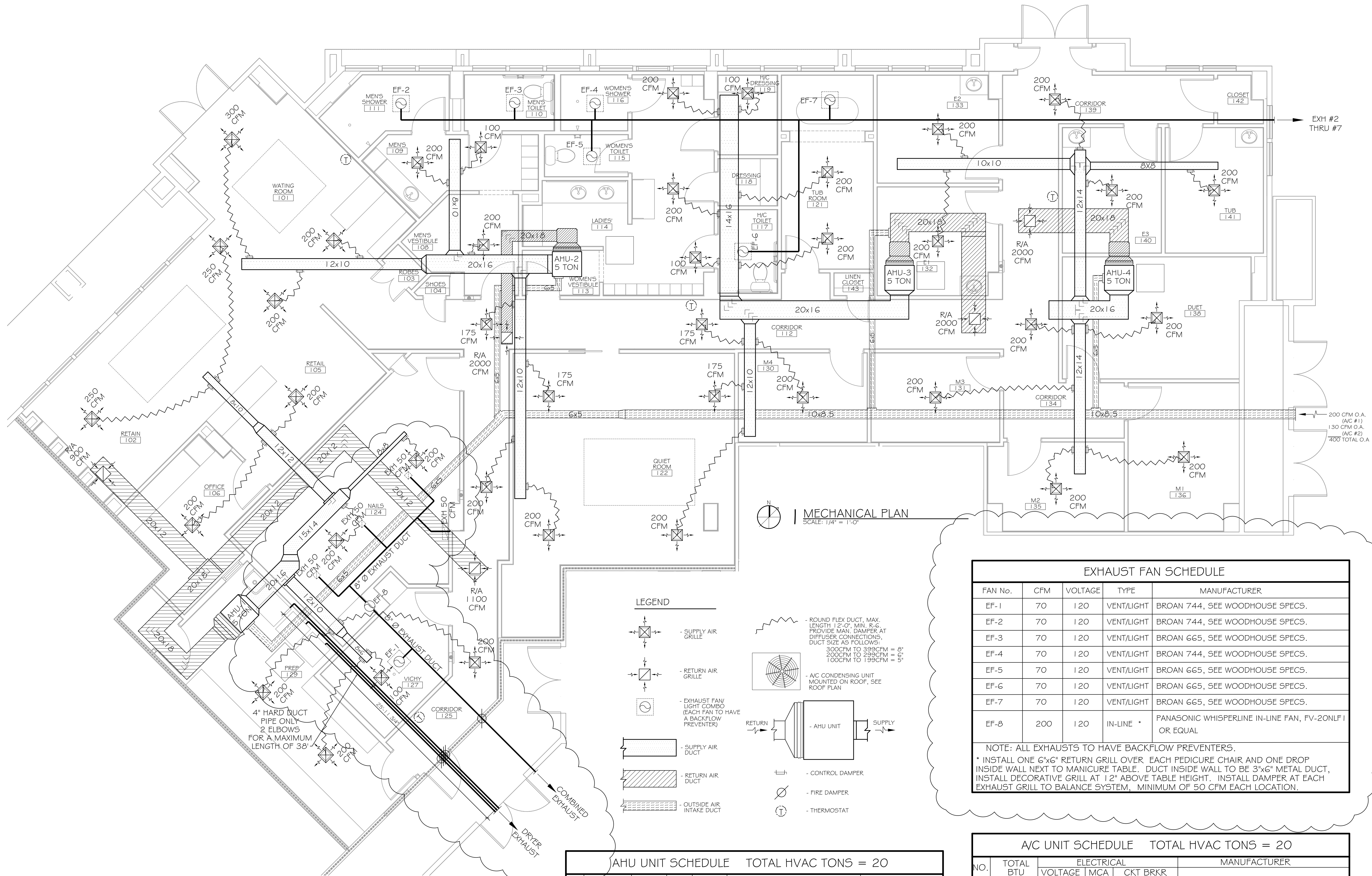
JOB No: 2163 DATE: 2/4/2013
DRAWN BY: KJK CHECKED BY: KJK

#	DESCRIPTION	DATE

REFLECTED CEILING PLAN

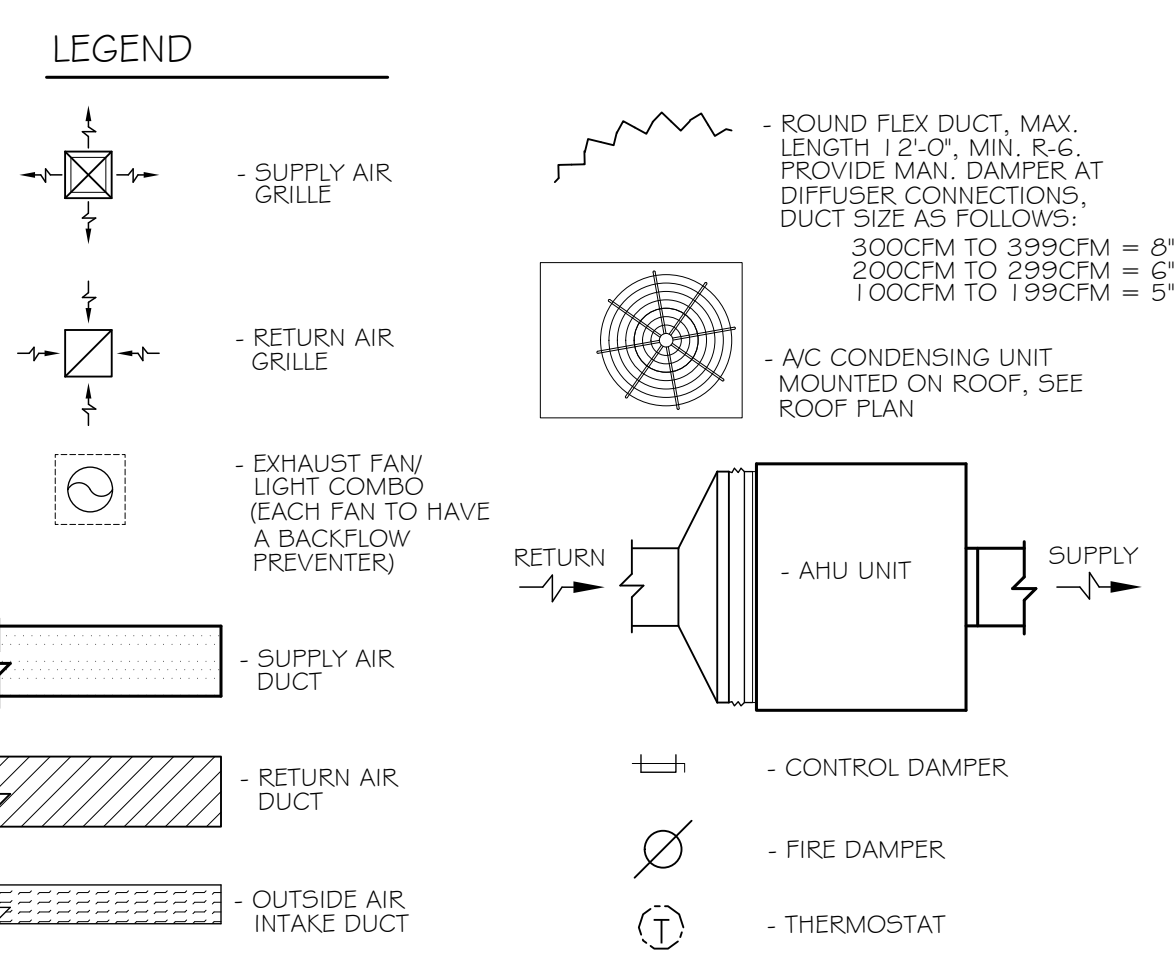
SHEET No: 4 OF 15

A-2



NOTE-1: MECHANICAL PLAN IS DRAWN DIAGRAMATIC. DUCT LOCATIONS ARE FOR REFERENCE ONLY. FIELD LOCATE AS NEEDED BETWEEN JOISTS OR TRUSSES. INSTALL FIRE DAMPER AT ANY LOCATION WHERE DUCT PENETRATES A FIRE WALL OR CEILING. ANY EXHAUST FAN FIXTURE INSTALLED IN A RATED CEILING SHALL BE RATED FOR THAT CEILING. REFER TO MECHANICAL NOTES # DETAILS ON SHEET M-2 FOR FURTHER INFORMATION.

NOTE-2: COORDINATE LOCATION OF ALL SUPPLY AIR DIFFUSERS, RETURN AIR GRILLES, EXHAUST FANS, ETC... WITH LIGHTING PLAN.



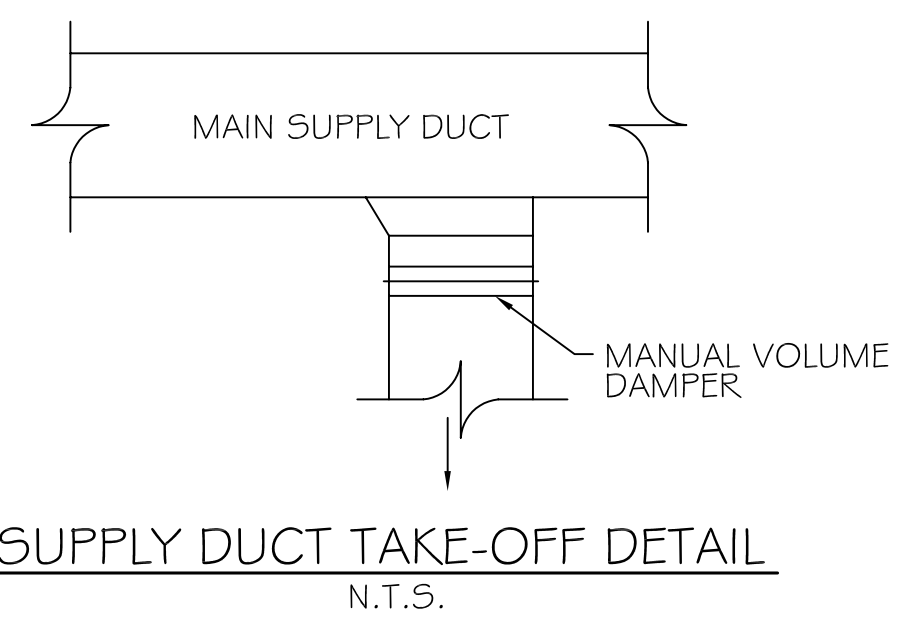
NO.	TOTAL BTU	CFM	O.A.	HEAT ELEC.	ELECTRICAL		MANUFACTURER	
					VOLTAGE	MCA		
1	60,000 5 TON	2,000	200	15 KW	208V, 1Ø	48/22	MDP-1,3	TRANE OR EQUAL
2	60,000 5 TON	2,000	200	15 KW	208V, 1Ø	48/22	MDP-5,7	
3	60,000 5 TON	2,000	200	15 KW	208V, 1Ø	48/22	MDP-9,11	
4	60,000 5 TON	2,000	200	15 KW	208V, 1Ø	48/22	MDP-13,15	

FAN No.	CFM	VOLTAGE	TYPE	MANUFACTURER
EF-1	70	120	VENT/LIGHT	BROAN 744, SEE WOODHOUSE SPECS.
EF-2	70	120	VENT/LIGHT	BROAN 744, SEE WOODHOUSE SPECS.
EF-3	70	120	VENT/LIGHT	BROAN 665, SEE WOODHOUSE SPECS.
EF-4	70	120	VENT/LIGHT	BROAN 744, SEE WOODHOUSE SPECS.
EF-5	70	120	VENT/LIGHT	BROAN 665, SEE WOODHOUSE SPECS.
EF-6	70	120	VENT/LIGHT	BROAN 665, SEE WOODHOUSE SPECS.
EF-7	70	120	VENT/LIGHT	BROAN 665, SEE WOODHOUSE SPECS.
EF-8	200	120	IN-LINE	PANASONIC WHISPERLINE IN-LINE FAN, FV-20NLF1 OR EQUAL

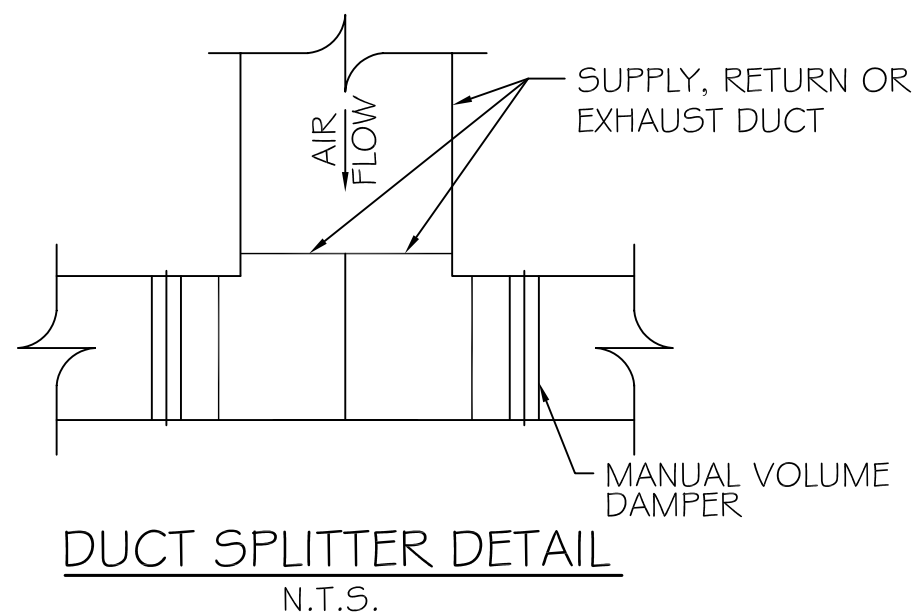
NOTE: ALL EXHAUSTS TO HAVE BACKFLOW PREVENTERS.
 * INSTALL ONE 6"x6" RETURN GRILL OVER EACH PEDICURE CHAIR AND ONE DROP INSIDE WALL NEXT TO MANICURE TABLE. DUCT INSIDE WALL TO BE 3"x6" METAL DUCT, INSTALL DECORATIVE GRILL AT 12" ABOVE TABLE HEIGHT. INSTALL DAMPER AT EACH EXHAUST GRILL TO BALANCE SYSTEM, MINIMUM OF 50 CFM EACH LOCATION.

NO.	TOTAL BTU	ELECTRICAL		MANUFACTURER
		VOLTAGE	MCA	
1	60,000 5 TON	208V, 1Ø	34.6	TRANE OR EQUAL
2	60,000 5 TON	208V, 1Ø	34.6	
3	60,000 5 TON	208V, 1Ø	34.6	
4	60,000 5 TON	208V, 1Ø	34.6	

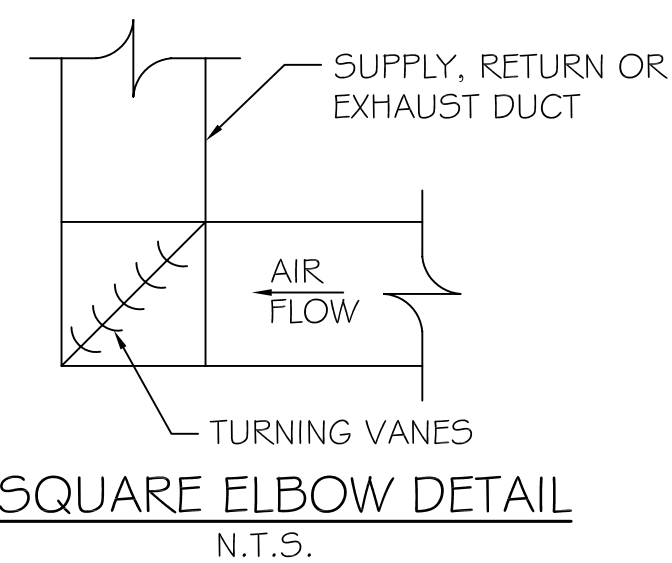
#	DESCRIPTION	DATE
1	REVISION #1	5/23/2013
2	REVISION #2, ADD NAIL EXHAUST	7/29/2013



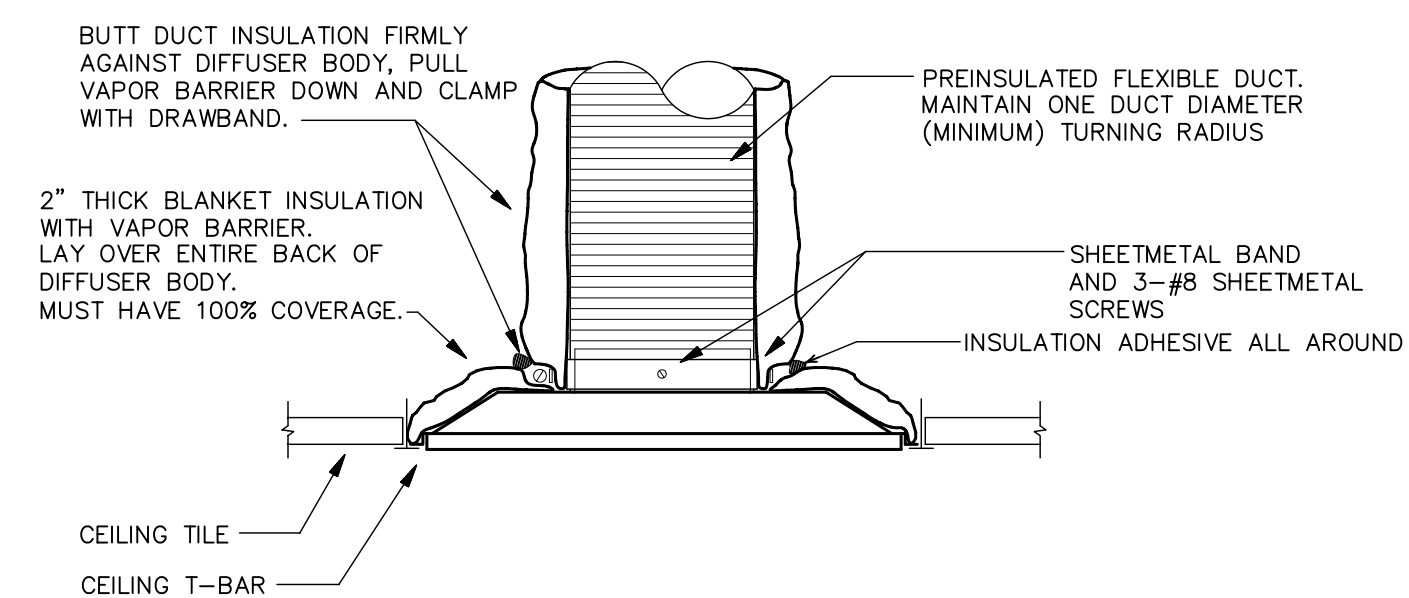
SUPPLY DUCT TAKE-OFF DETAIL
N.T.S.



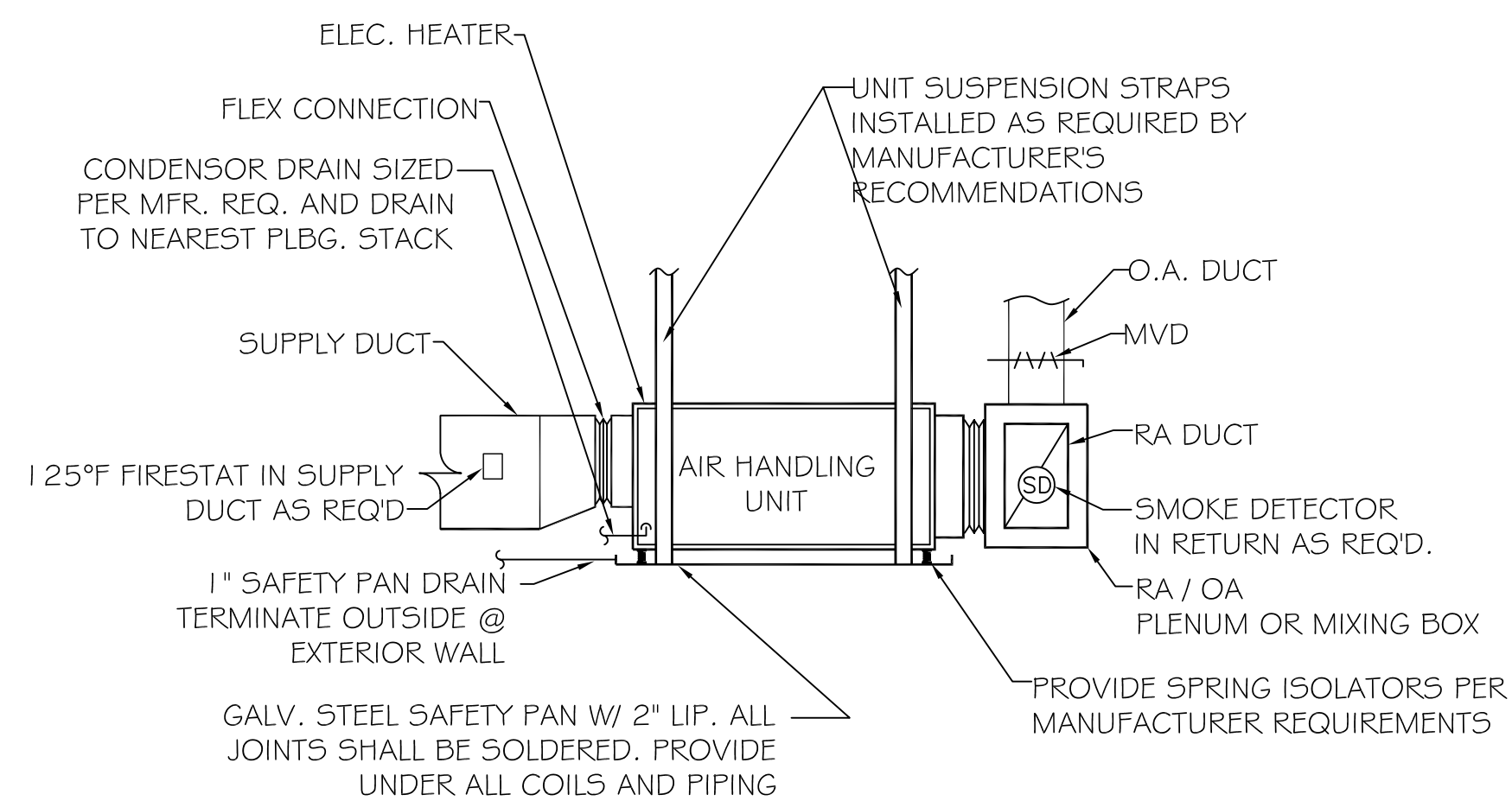
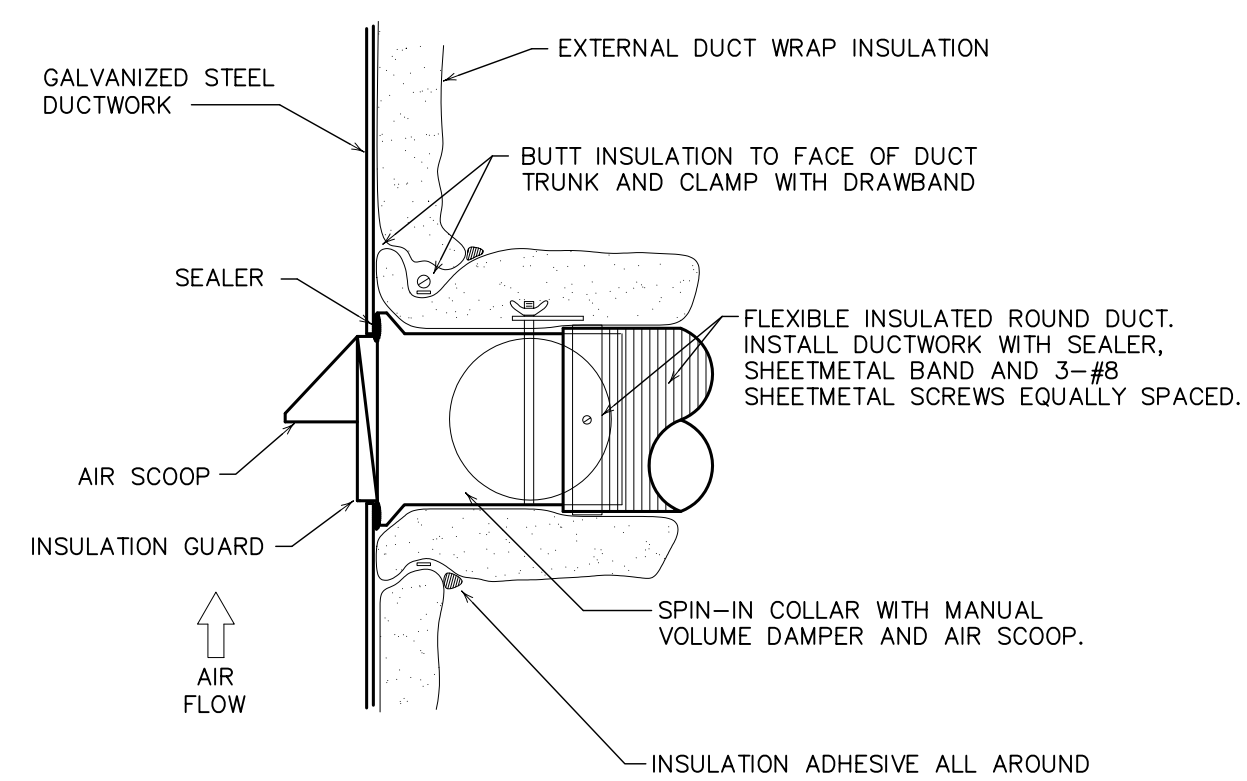
DUCT SPLITTER DETAIL
N.T.S.



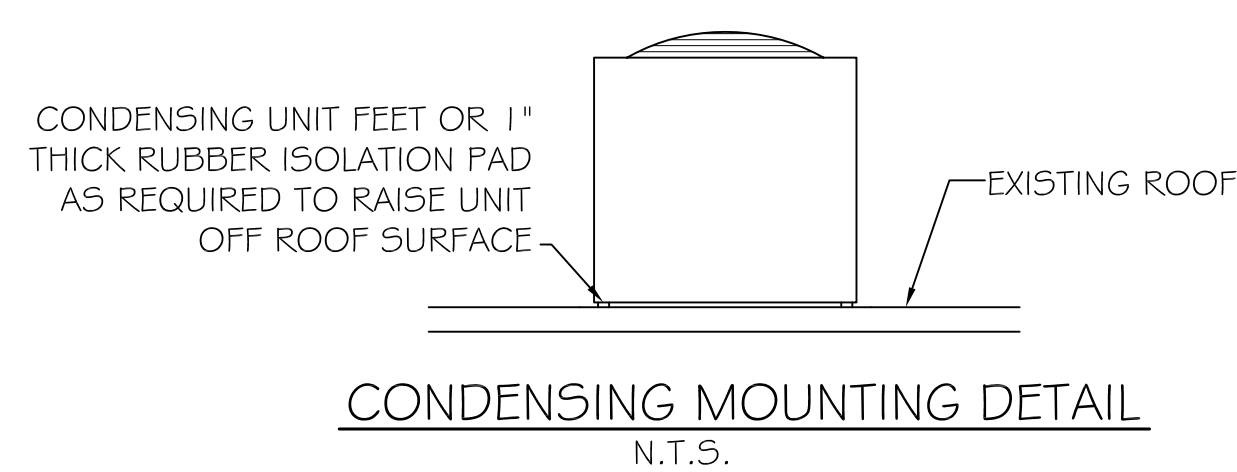
SQUARE ELBOW DETAIL
N.T.S.



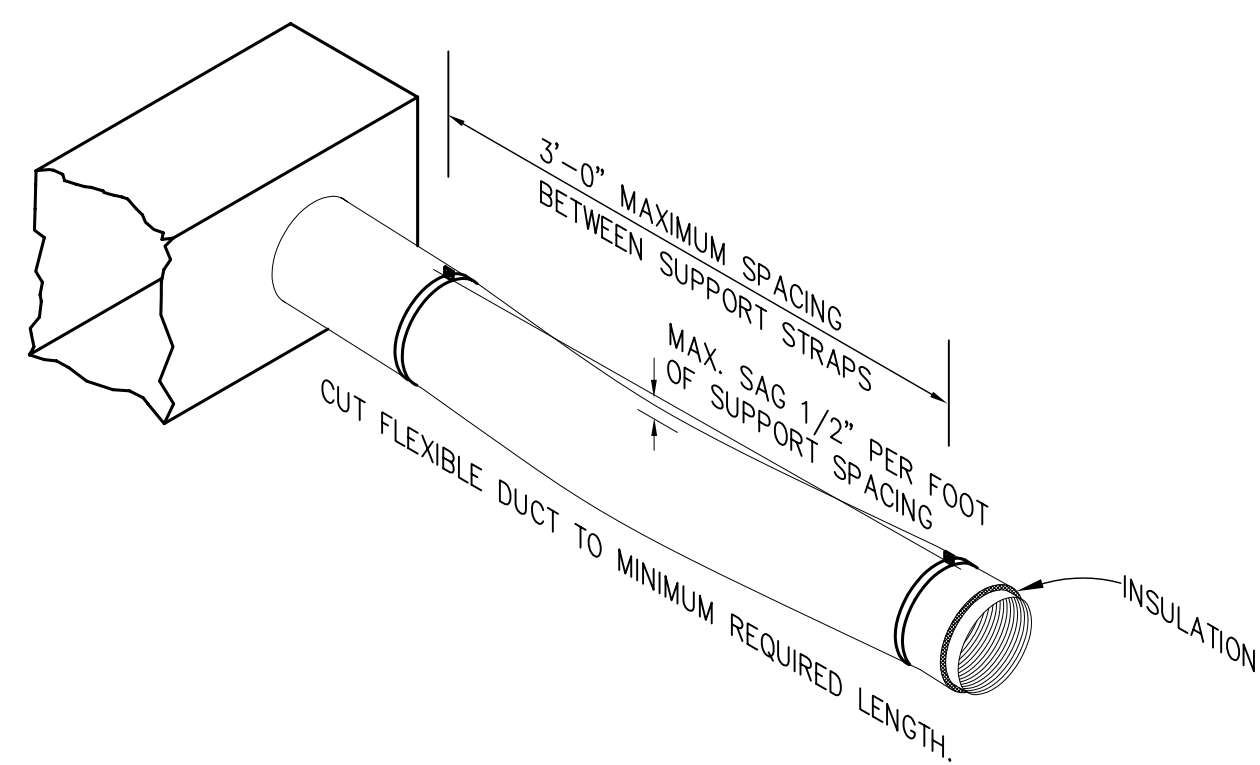
LAY IN DIFFUSER DETAIL
NOT TO SCALE



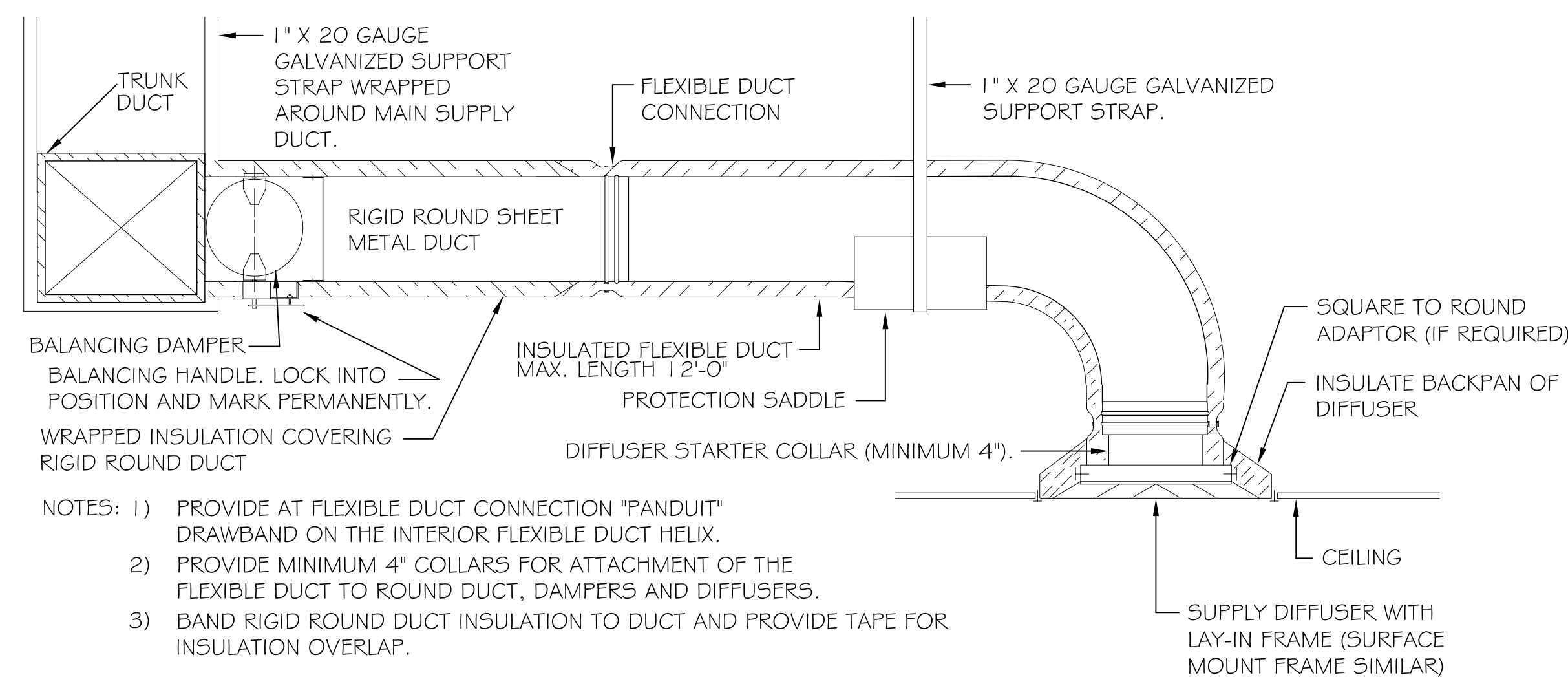
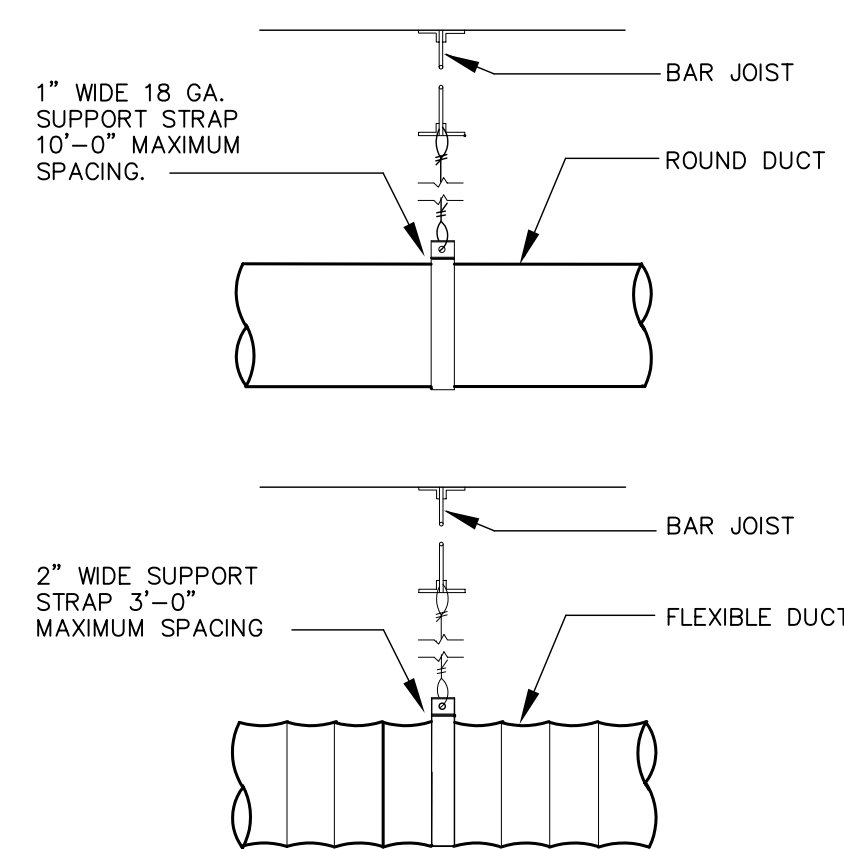
TYPICAL CEILING MOUNTED HORIZONTAL AHU DETAIL
SCALE: N.T.S.



CONDENSING MOUNTING DETAIL
N.T.S.



FLEX DUCT SUPPORT DETAIL
NOT TO SCALE



- NOTES: 1) PROVIDE AT FLEXIBLE DUCT CONNECTION "PANDUIT" DRAWBAND ON THE INTERIOR FLEXIBLE DUCT HELIX.
2) PROVIDE MINIMUM 4" COLLARS FOR ATTACHMENT OF THE FLEXIBLE DUCT TO ROUND DUCT, DAMPERS AND DIFFUSERS.
3) BAND RIGID ROUND DUCT INSULATION TO DUCT AND PROVIDE TAPE FOR INSULATION OVERLAP.

DIFFUSER CONNECTION DETAIL - FLEX DUCT
N.T.S.

HVAC NOTES

1. CONCEALED DUCTWORK TO BE GALVANIZED SHEET METAL LINED WITH FIBROUS GLASS DUCT LINER, MIN R-6. INSTALLED PER SMACNA STANDARDS.
2. EXPOSED DUCTWORK TO BE GALVANIZED SHEET METAL LINED WITH FIBROUS GLASS DUCT LINER, MIN R-6. INSTALLED PER SMACNA STANDARDS.
3. ROUND FLEXIBLE DUCT TO BE UL-181, CLASS 1, AIR DUCT MATERIALS.
4. DUCT SIZES SHOWN ARE CLEAR INSIDE DIMENSIONS.
5. IN ALL SYSTEMS OVER 2000 CFM AND LESS THAN 15,000 CFM, SMOKE DETECTORS SHALL BE INSTALLED IN ACCORDANCE WITH NFPA 72E IN THE RETURN DUCT DOWNSTREAM OF THE AIR HANDLING UNIT AND ALL FILTERS TO AUTOMATICALLY STOP THE FAN.
6. PROVIDE U.L. LISTED 125°F FIRESTAT IN RETURN AIR OF EACH SYSTEM UNDER 2000 CFM TO SHUT DOWN THE FAN IN THE EVENT OF FIRE.
7. PROVIDE U.L. RATED FIRE DAMPERS WHERE REQUIRED AT ALL DUCT PENETRATIONS OF FIRE-RATED ASSEMBLIES AND WHERE REQUIRED BY CODE, INCLUDING OUTSIDE AIR INTAKES.
8. CONDENSATE DRAINS TO BE PVC PIPE RUN TO PLUMBERS P-TRAP WITHIN FIVE FEET OF AIR HANDLING UNITS.
9. ALL AIR HANDLING SYSTEMS TO BE BALANCED TO ASSURE PROPER AIR FLOWS PER PLANS.
10. ALL THERMOSTATS TO BE AUTOMATIC CHANGEOVER WITH HEAT SWITCH.
11. EXHAUST FAN EQUAL TO BROAN MODEL NO. 70 CF. SEE WOODHOUSE SPECIFICATIONS. FAN SHALL BE CONTROLLED BY A SWITCH ON THE WALL IN THE SAME LOCATION AS LIGHT SWITCH(S). PROVIDE BACK DRAFT DAMPER.
12. PROVIDE AND INSTALL WATER PROOF GRILLE VENT IN PROPER ROOF LOCATION FOR PLUMBING FIXTURE EXHAUST.
13. ALL SUPPLY AIR VENTS SHALL BE EQUIPPED WITH AIR CONTROL DAMPERS.
14. LOCATE OUTDOOR UNITS AS SHOWN ON ARCH. DWGS.
15. REFRIGERANT LINES SHALL BE SIZED BY UNIT MANUFACTURER AND INSTALLED ACCORDING TO MANUFACTURER'S INSTRUCTIONS.
16. FRESH AIR SHALL BE SUPPLIED TO EACH AIR HANDLER THROUGH EXTERIOR WALL DUCT SUPPLIED WITH A CONTROL DAMPER.
17. INSTALL FIRE DAMPER WHERE S.A. & R.A. DUCTS PENETRATE 1 HOUR RATED CEILINGS.
18. ALL ELECTRICAL, MECHANICAL, AND PLUMBING PENETRATING FIRE WALLS SHALL BE FIRE CAULKED. (PENETRATIONS THROUGH RATED CONSTRUCTION SHALL BE SEALED WITH A MATERIAL CAPABLE OF PREVENTING THE PASSAGE OF FLAMES AND HOT GASES WHEN TESTED IN ACCORDANCE WITH ASTM-E8-14).
19. ALL MECHANICAL SYMBOLS ARE DRAWN DIAGRAMMATICALLY. CONTRACTOR TO VERIFY WITH OWNER LOCATIONS OF VENTS, DAMPERS, REGISTERS, ETC.
20. FLEXIBLE DUCTWORK LENGTH NOT TO EXCEED 12'-0".
21. REFER TO REFLECTED CEILING PLAN FOR FINAL GRILLE AND DIFFUSER LOCATIONS AND COORDINATE AS REQUIRED.
22. FINAL LOCATION OF TEMPERATURE CONTROLS TO BE COORDINATED WITH OWNER AT JOB SITE.
23. PROVIDE AND INSTALL SMOKE DETECTORS AS APPROVED BY LOCAL AHJ'S. PLACE NEAR R/A AND S/A OPENINGS OF AHU AND PROVIDE, WITH ACCESS PANEL, WIRING BY ELECTRICAL CONTRACTOR.
24. FRESH AIR INTAKES ARE REQUIRED TO HAVE MOTORIZED OR GRAVITY DAMPERS TO SHUT OFF WHEN SYSTEM IS NOT RUNNING. ALL THERMOSTATS MUST BE PROGRAMMABLE. SEE SECTIONS 502.4.4 OR 503.2.4.3 OF THE 2009 INTERNATIONAL ENERGY CODE.

DAMMON
ENGINEERING, INC.
Architects & Engineers

dammoneng.com
dammoneng@bellsouth.net
PHONE: 905-649-5832
FAX: 905-641-5950

CHIEF ENGINEER: EMMETT DAMMON, P.E.
CHIEF ARCHITECT: KEVIN KINCHEN
554 OLD SPANISH TRAIL
SUDDILL, LA 70456

WOODHOUSE SPA
THE HIGH GROVE APARTMENTS
BATON ROUGE, LA

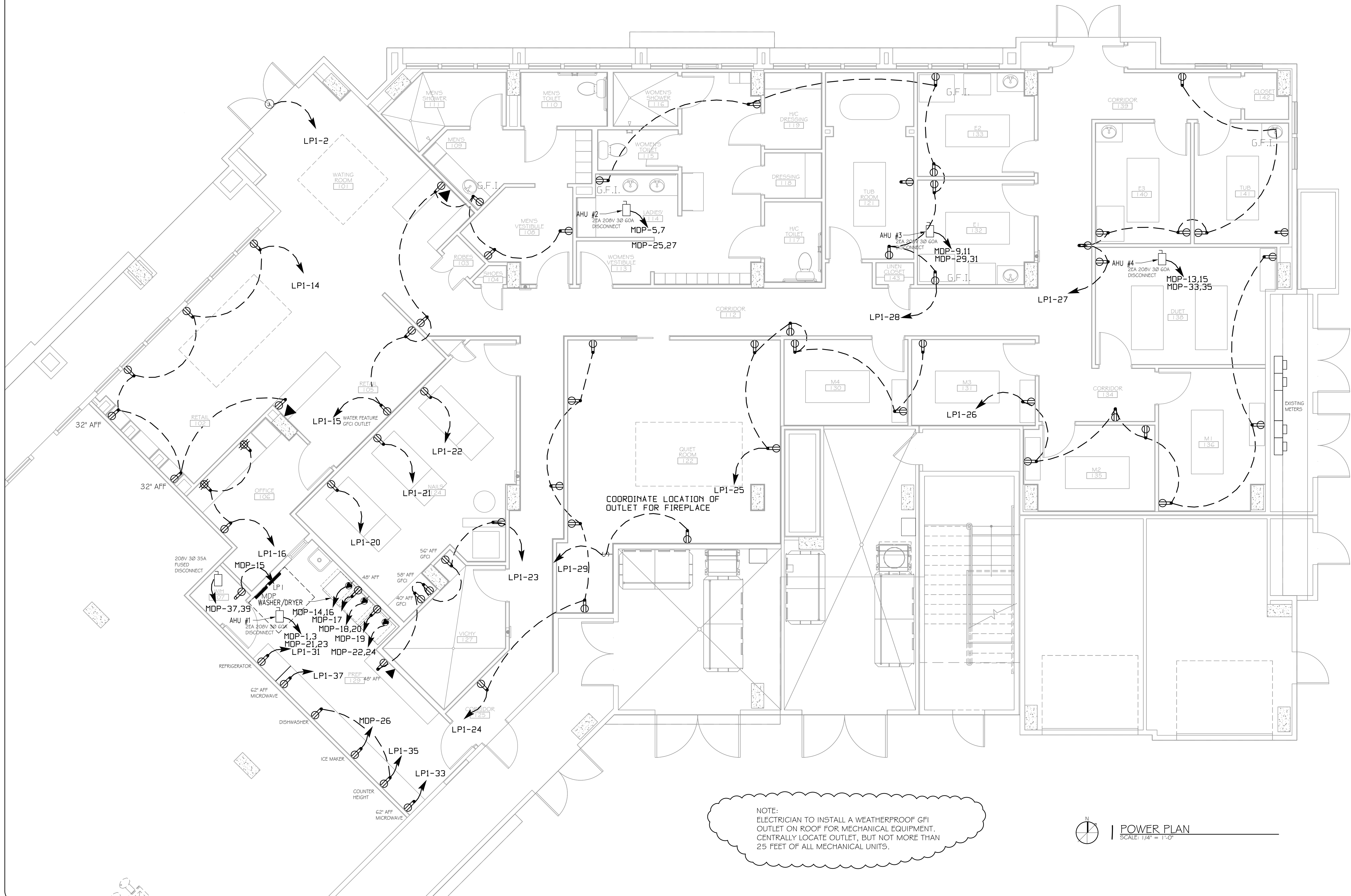
DATE: 5/23/2013
JOB No: 2163
DATE: 5/14/2013
DRAWN BY: JTL
CHECKED BY: KJK

#	DESCRIPTION	DATE
1	REVISION #1	5/23/2013

MECHANICAL DETAILS

SHEET No: 8 OF 15

M-2



NOTE:
ELECTRICIAN TO INSTALL A WEATHERPROOF GFI
OUTLET ON ROOF FOR MECHANICAL EQUIPMENT.
CENTRALLY LOCATE OUTLET, BUT NOT MORE THAN
25 FEET OF ALL MECHANICAL UNITS.

POWER PLAN
SCALE: 1/4" = 1'-0"

WOODHOUSE SPA
THE HIGH GROVE APARTMENTS
BATON ROUGE, LA

#	DESCRIPTION	DATE
1	REVISION #1	5/23/2013
2	REVISION #2, ADD HVAC OUTLET	7/29/2013

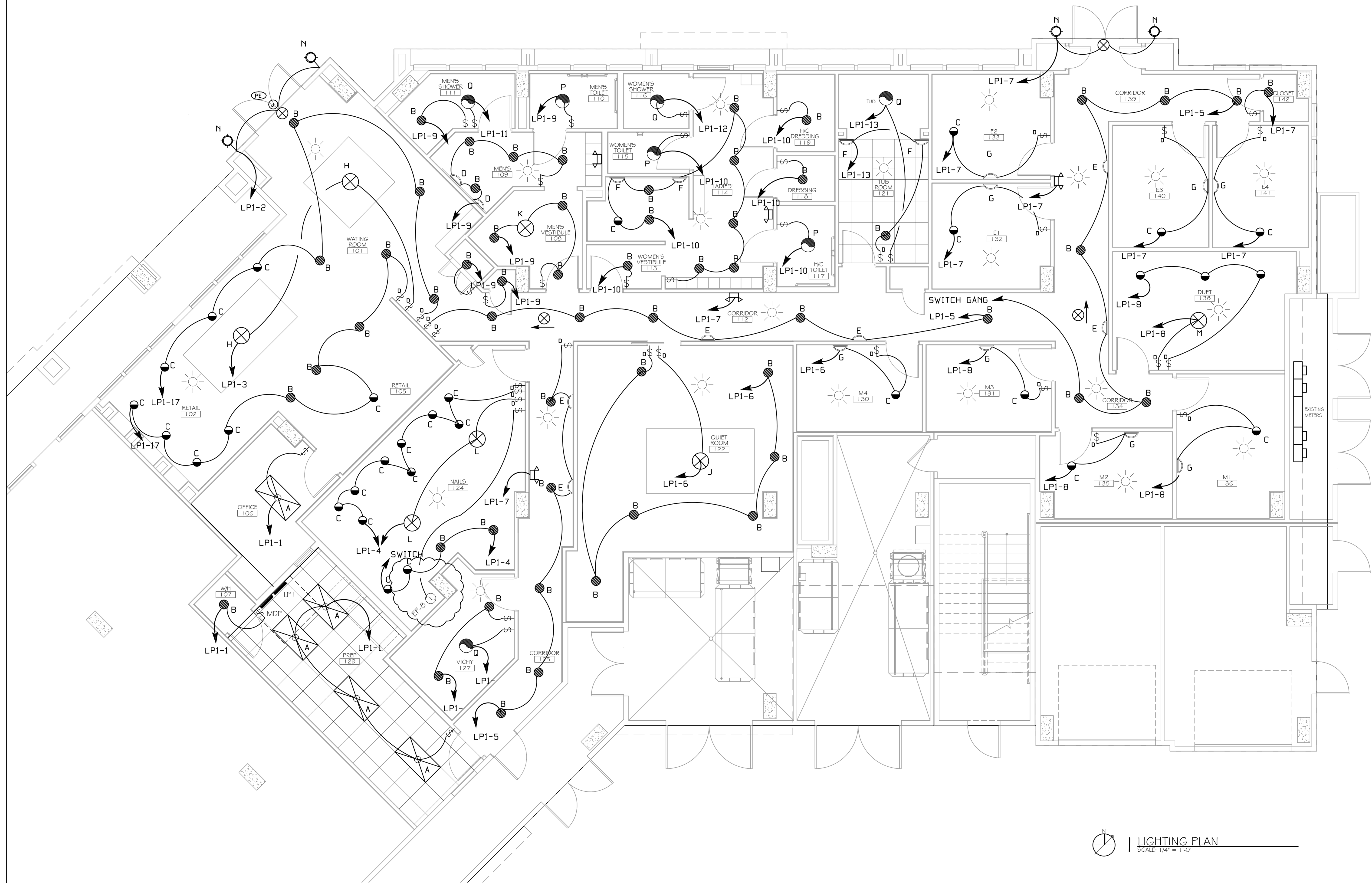
JOB No:	2163	DATE:	5/14/2013
DRAWN BY:	JCT	CHECKED BY:	KJK

POWER PLAN

SHEET No: 9 OF 15

E-1

NOTE: ALL LIGHT FIXTURES AND LUMINAIRES ARE TO BE DIMMABLE AND CONNECTED TO A SLIDING DIMMER PACK, EXCEPT: OFFICE, MECHANICAL RM AND CLOSETS.



| LIGHTING PLAN
 SCALE: 1/4" = 1'-0"

DAMMON
ENGINEERING, INC.
Architects & Engineers

CHIEF ENGINEER: LAMMETT DAMMON, P.E.
 CHIEF ARCHITECT: KEVIN KIRCHEN
 PROJECT MANAGER: JEFFREY H. HALL
 SUITE 1000, 7045 B
 BUREAU, LA 70059
 PHONE: 985-641-5492
 FAX: 985-641-9950
 dammonengineering.com
 dammoneng@aol.com

WOODHOUSE SPA
THE HIGH GROVES APARTMENTS
BATON ROUGE, LA

JOB No: 2163 DATE: 5/14/2013
 DRAWN BY: KJK CHECKED BY: KJK

#	DESCRIPTION	DATE
1	REVISION #1	5/23/2013
2	REVISION #2, ADD NAIL EXHAUST	7/29/2013

REVISIONS

LIGHTING PLAN

SHEET No: 10 OF 15

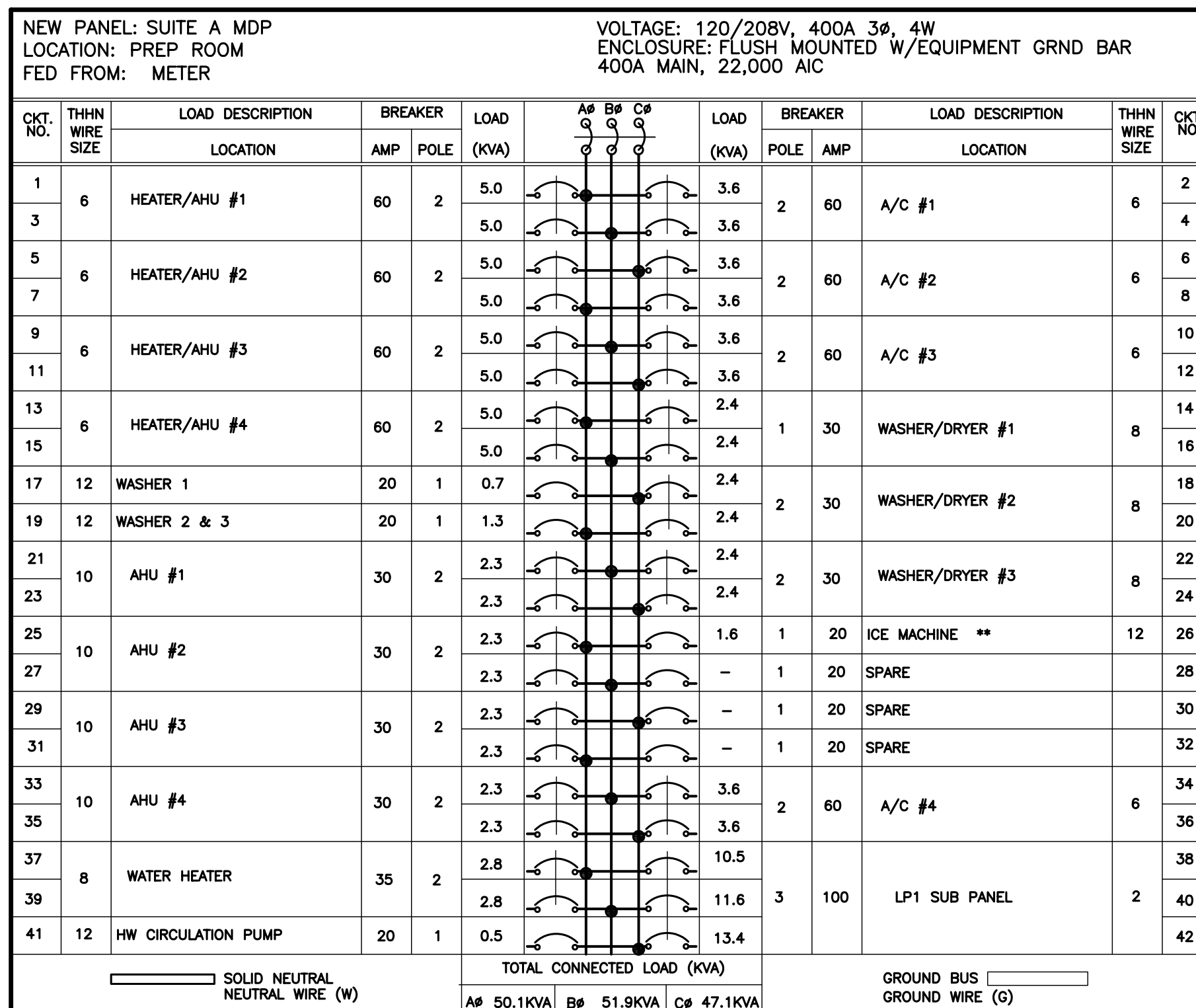
E-2

LUMINAIRE SCHEDULE						
MARK NO.	LAMPS TYPE	VOLTS	DESCRIPTION	OPTIONS & NOTES	MANUFACTURER	CATALOG NO.
A 2	32WT8	120	2'x4' FLUORESCENT LAY-IN TROFFER.		LIGHTOLIER	QV52GPF05232
B 1	32WCF DIMM	120	COMPACT FLUORESCENT DOWNLIGHT (LED OPTIONAL)		LIGHTOLIER	1102P1 FRAME 1176WH BAFFLE
C 1	32WCF DIMM	120	DIRECTIONAL COMPACT FLUORESCENT DOWNLIGHT (LED OPTIONAL)		LIGHTOLIER	1102P1 FRAME 1122WH BAFFLE
D 1	40W	120	GALEANA WALL SCONCE	MEN'S RESTROOM	UTTERMOST	22418
E 2	60W	120	ALENYA, 2 LIGHT WALL SCONCE	HALLWAY SEE NOTE 5	UTTERMOST	22487
F 3	60W	120	MAISON DE VILLE COLLECTION 18" HIGH 3-LIGHT WALL SCONCE; USES 3-60 CANDELABRA BULBS	WOMEN'S RESTROOM & TUB ROOM	FEISS	12290
G 2	A15 60W	120	IRON LEAF 15 1/2" WIDE BRONZE AND CRYSTAL WALL SCONCE		UNIVERSAL LIGHTING AND DECOR	50921
H 5	60 W	120	KATHY IRELAND RAMAS DE LUCES BRONZE 31" WIDE CHANDELIER; FIVE STANDARD 60 WATT AND ONE 30 WATT R-20 BULBS	WAITING/RETAIL	KATHY IRELAND	F0311
J 6	60 W	120	ALENYA, 6 LT CHANDELIER	QUIET ROOM	UTTERMOST	21246
K 3	100 W	120	GALEANA, 3 LT CHANDELIER	MEN'S VESTIBULE	UTTERMOST	21046
L 4	60 W	120	ALENYA, 4 LT PENDANT	NAIL ROOM	UTTERMOST	21962
M 3	60 W	120	KATHY IRELAND RAMAS DE LUCES BRONZE 17" WIDE CHANDELIER	DUET ROOM	KATHY IRELAND	97436
N 2	60W	120	KENT PLACE COLLECTION WALL LANTERN USES 3-60 CANDELABRA BULBS	INCLUDE PHOTO SENSOR	MINKA LAVERY	94585
P 1	100W	120	LIGHT/FAN; 70 CFM	INCLUDE OPTIONAL CONTROL.	BROAN	744
Q 1	100W	120	HEATER/LIGHT/FAN; 70 CFM	INCLUDE OPTIONAL CONTROL.	BROAN	665
S	WITH UNIT	120	SELF-POWERED LED EXIT SIGN, WHITE BACKGROUND WITH RED LETTERS.		HUBBELL	EXIT SIGN
T	WITH UNIT	120	SELF-POWERED EMERGENCY EGRESS LUMINAIRE, TWO-HEAD		HUBBELL	PEG

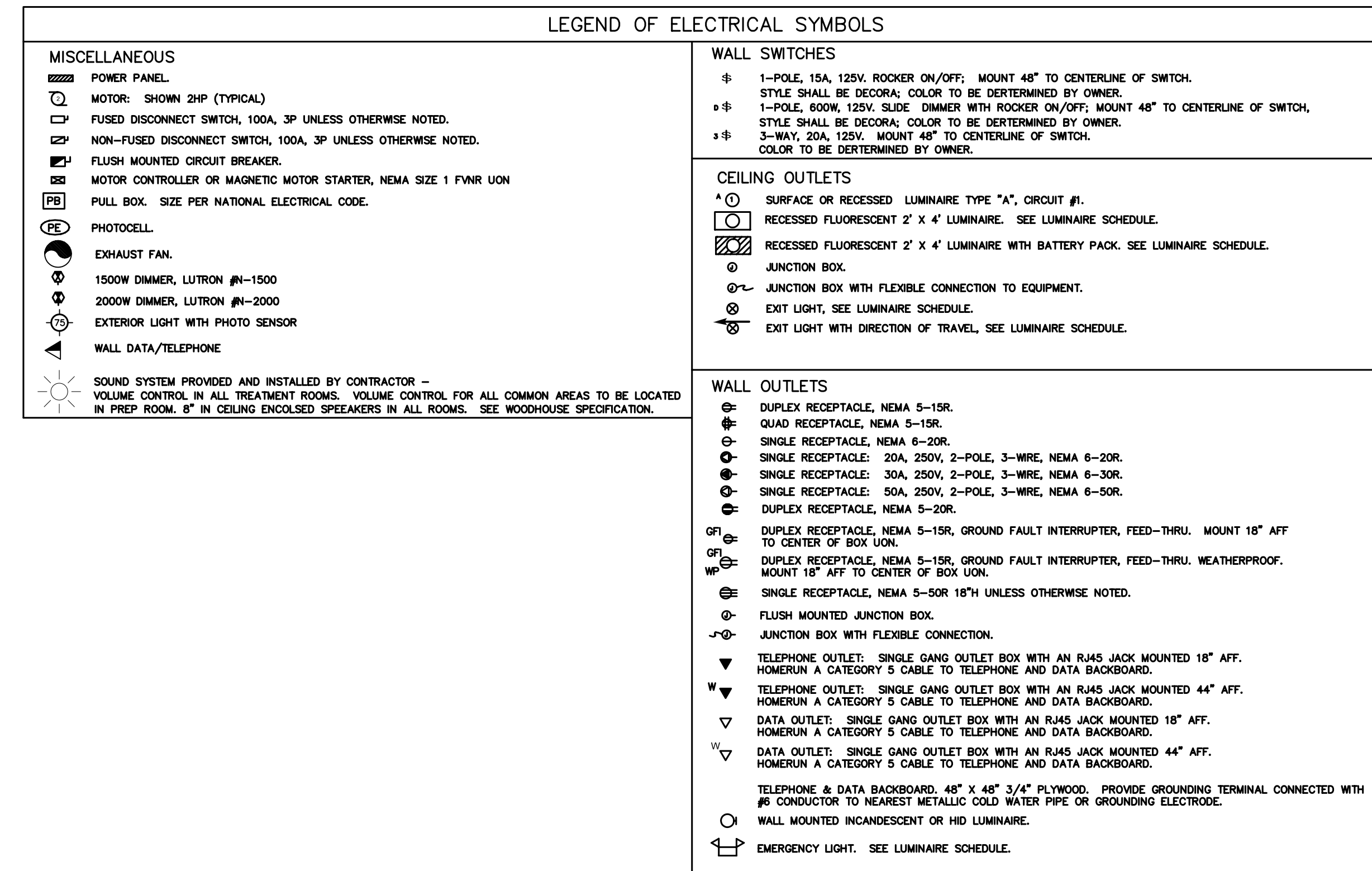
NOTE: LAMPS AND FIXTURES SUPPLIED AND INSTALLED BY CONTRACTOR. FOR COORDINATION CONTACT: SARA NEWMAN WOODHOUSE SPAS CORPORATION (361) 570-7772 EXT 202. CHANDELIERS/SCONCES BY LAMPS PLUS CONTACT JENNIFER LY (@18) 775-5751 EXT 4375.

LIGHTING SCHEDULE NOTES:

- FURNISH PROPER LAMP FOR REFLECTOR ASSEMBLY SPECIFIED AS RECOMMENDED BY LUMINAIRE MANUFACTURER.
- ENERGY SAVING LAMP/ENERGY SAVING BALLAST.
 - FURNISH ALL RAPID START LAMPED LUMINAIRES WITH ENERGY EFFICIENT LAMPS AND BALLAST. SYSTEM OF LAMPS AND BALLAST SHALL PRODUCE THE FOLLOWING WHEN USED TOGETHER AT MINIMUM 60 DEGREE F:
 - MAXIMUM LAMP OUTPUT - 2850 LUMENS
 - MAXIMUM LAMP WATTAGE - 35 WATTS
 - MAXIMUM BALLAST LOADING (2 LAMP BALLAST) WITH LAMPS IN OPERATION - 77 WATTS
 - BALLAST SHALL BE EQUIPPED WITH UL COMPONENT RECOGNIZED NON-PCB PROTECTED CAPACITOR AND A CORE AND COIL PROTECTOR. BALLAST SHALL BE HIGH POWER FACTOR, UL LISTED, CLASS F.
 - APPROVED LAMP MANUFACTURERS:
 - GE, Sylvania, Philips (unless specifically noted otherwise)
 - APPROVED BALLAST MANUFACTURERS:
 - Advanced Transformer, Valmont, TISE
 - FLUORESCENT AND H.I.D. BALLASTS SHALL BE FUSED WITH AN APPROVED DUAL ELEMENT.
 - ALL LIGHT FIXTURES ARE TO BE DIMMABLE AND CONNECTED TO A SLIDING DIMMER, EXCEPT: PREP ROOM, OFFICE, MECHANICAL RM AND CLOSETS.
 - COORDINATE THE PLACEMENT OF HALLWAY SCONCES WITH WALL TREATMENTS. SEE WOODHOUSE SPEC.



** ICE MACHINE REQUIRES A TIME DELAY BREAKER.



GENERAL NOTES:

GENERAL REQUIREMENTS

- ELECTRICAL CONTRACTOR SHALL COORDINATE FULLY WITH OTHER CONTRACTORS ASSOCIATED WITH THIS PROJECT TO VERIFY ALL EQUIPMENT LOCATIONS, CONNECTION REQUIREMENTS, ELEVATIONS AND LOCATIONS OF PIPES, CONDUITS AND DUCTS TO PREVENT CONFLICTS DURING CONSTRUCTION. ANY RELOCATION OR REROUTING OF EQUIPMENT, PIPES, CONDUITS, DUCTS OR MATERIALS RESULTING FROM A LACK OF COORDINATION BETWEEN CONTRACTORS WILL BE AT THE CONTRACTOR'S EXPENSE.
- EQUIPMENT ROUGH-IN'S SHOWN ARE ACCURATE TO THE BEST OF DESIGNER'S KNOWLEDGE. HOWEVER, IN SOME INSTANCES, THE OWNER OR SUPPLIER MAY SUBSTITUTE, OR THE EQUIPMENT ITEM MAY VARY FROM WHAT IS SHOWN. THEREFORE, THE CONTRACTOR SHALL VERIFY ALL CRITICAL DIMENSIONS WITH THE OWNER PRIOR TO CONSTRUCTION. FAILURE OF THE ELECTRICAL CONTRACTOR TO VERIFY THESE DIMENSIONS SHALL PLACE THE RESPONSIBILITY FOR ANY SUBSEQUENT RELOCATION DIRECTLY UPON THE CONTRACTOR.
- ELECTRICAL CONTRACTOR SHALL FURNISH AND INSTALL ALL REQUIRED DISCONNECT SWITCHES AND MOTOR STARTERS TO ALL EQUIPMENT.
- ELECTRICAL CONTRACTOR SHALL REVIEW WITH OWNER AND SIGNAGE MANUFACTURER, REQUIREMENTS AND LOCATION OF BUILDING SIGNAGE PRIOR TO CONSTRUCTION AND PROVIDE 120VAC CONNECTION AS REQUIRED.
- ELECTRICAL CONTRACTOR SHALL PROVIDE AS-BUILT DRAWINGS AT JOB COMPLETION TO ARCHITECT.
- ALL WORK SHALL BE INSTALLED PER ALL GOVERNING CODES.
- ELECTRICAL CONTRACTOR SHALL FURNISH AND INSTALL DRYER/RECEPTACLES COMPLETE. REFER TO INSTRUCTION MANUAL FOR DETAILS.
- ALL EXTERIOR LIGHTING AND SIGN CIRCUIT BREAKERS TO BE "SWITCH GRADE".
- ELECTRICAL CONTRACTOR SHALL INSTALL EXHAUST FANS WITH OPTIONAL CONTROLLER.
- ALL JUNCTION BOXES INSTALLED ABOVE OR DIRECTLY BELOW THE SUSPENDED CEILING SHALL BE SUPPORTED IN ACCORDANCE WITH ARTICLE 314-23 OF THE 2002 NEC.
- COMPUTER AND PHONE WIRING SHALL BE ROUTED IN 3/4" CONDUIT TO PHONE BOARD IN OFFICE FROM DEVICE LOCATION.
- ALL ISOLATED GROUND RECEPTACLE CIRCUITS SHALL BE EQUIPPED WITH INSULATED GROUND CONDUCTOR AND SEPARATE NEUTRAL WIRE.
- NEUTRAL WIRES FOR ISOLATED GROUND CIRCUITS SHALL NOT BE SHARED WITH OTHER BRANCH CIRCUITS. PROVIDE SEPARATE NEUTRAL WIRE FOR EACH ISOLATED GROUND CIRCUIT.
- ISOLATED GROUND CIRCUITS SHALL NOT BE ROUTED WITHIN SAME CONDUIT AS GENERAL BRANCH CIRCUIT WIRING. PROVIDE SEPARATE CONDUIT FOR SERVICE TO ISOLATED GROUND CIRCUITS.
- ISOLATED GROUND RECEPTACLES SHALL UNDER NO CIRCUMSTANCE BE INSTALLED IN COMMON JUNCTION BOX WITH NON-ISOLATED GROUND TYPE RECEPTACLE.
- ELECTRICAL CONTRACTOR SHALL USE THE PORCELAIN WIRE NUTS PROVIDED WITH THE HEAT STRIP UNITS. THE USE OF PLASTIC WIRE NUTS WILL VOID THE MANUFACTURER'S WARRANTY. ELECTRICAL CONTRACTOR SHALL USE 90°C WIRE FOR CONNECTION TO HEAT STRIP UNITS PER MANUFACTURER'S RECOMMENDATION.
- USE CIRCUIT BREAKERS U.L. LISTED AS HACR TYPE FOR USE WITH HVAC AND REFRIGERATING EQUIPMENT HAVING MOTOR GROUP COMBINATIONS AND MARKED FOR USE WITH HACR TYPE CIRCUIT BREAKERS.
- ALL EXIT SIGNS, EMERGENCY EGRESS LIGHTS AND NIGHT LIGHT FIXTURES SHALL BE CONNECTED TO THE BRANCH CIRCUITS INDICATED AHEAD OF RESPECTIVE CONTROL SWITCH, IN ORDER TO PROVIDE UNSWITCHED SOURCE TO FIXTURES.

RACEWAY SYSTEMS

- ALL BRANCH CIRCUIT WIRING SHALL BE ROUTED IN EMT, ELECTRICAL METALLIC TUBING, USE STEEL SET SCREW TYPE FITTINGS ON ALL EXITS.
- CONDUIT SHALL BE SUPPORTED AT INTERVALS PER NEC REQUIREMENTS AND SHALL BE SECURELY FASTENED TO BUILDING WITH AN APPROVED FASTENING SYSTEM.

WIRING DEVICES, PLATES AND GROUNDING

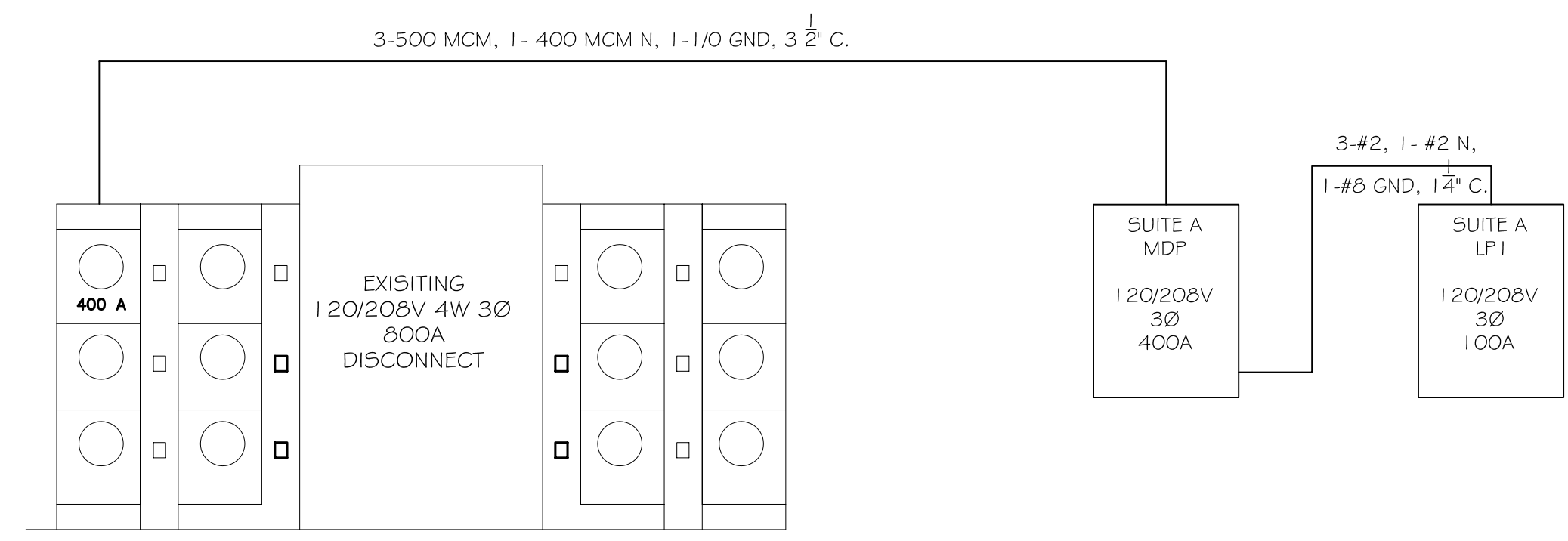
- ALL WIRING SHALL CONSIST OF COPPER CONDUCTORS WITH THERMOPLASTIC INSULATION RATED FOR SIX HUNDRED (600) VOLTS. ALL WIRING INSULATION SHALL BE HEAT AND MOISTURE RESISTANT TYPES THW, THWN, OR THHN FOR INTERNAL AND DRIVE LOCATIONS.
- MINIMUM CONDUCTOR SIZE SHALL BE NO. 12 AWG FOR ALL POWER CIRCUITS (I.E. RECEPTACLES, LIGHTING, EQUIPMENT POWER, ETC.).
- ALL SPLICES AND CONNECTIONS SHALL BE MADE IN OUTLET BOXES, JUNCTION BOXES OR EQUIPMENT WHERE ACCESSIBLE.
- CONDUCTORS SHALL BE PULLED WITHOUT THE USE OF OIL OR GREASE. WIRE PULLING LUBRICANTS WHICH ARE APPROVED FOR USE WITH CONDUCTOR INSULATION MAY BE USED. CARE SHALL BE TAKEN IN PULLING WIRE TO ASSURE THAT MAXIMUM ALLOWABLE PULLING TENSION OF WIRE IS NOT EXCEEDED. WIRING WITH DAMAGED CONDUCTORS OR INSULATION WILL NOT BE ACCEPTED.
- ALL PLUG-IN DEVICES SHALL BE GROUNDED TYPE. A GROUNDING JUMPER FROM RECEPTACLE TO OUTLET BOX SHALL BE INSTALLED WHERE CONDUIT SYSTEM IS USED FOR GROUND.
- INSTALL INSULATED GREEN GROUNDING CONDUCTOR (NO. 12 AWG MINIMUM) IN RACEWAYS AS INDICATED ON DRAWINGS AND IN ALL NON-METALLIC RACEWAYS PER NEC.
- SWITCHES FOR LIGHTING CONTROL SHALL BE ROCKER STYLE WITH.
- DUPLEX RECEPTACLES SHALL BE INDUSTRIAL GRADE, THREE (3) WIRE, GROUNDING, FINDER GROOVE, TWENTY (20) AMP, NEMA 5-20R 125 VAC.
- PLATES SHALL BE FURNISHED AND INSTALLED FOR ALL WIRING DEVICES, TELEPHONE OUTLETS, JUNCTION BOXES, ETC.
- PLATES FOR FLUSH MOUNTED DEVICES SHALL BE STAINLESS STEEL. PLATES FOR SURFACE MOUNTED BOXES SHALL BE GALVANIZED STEEL.

LIGHTING FIXTURES

- PROVIDE LIGHTING FIXTURES, OF SIZES, TYPES AND RATINGS INDICATED; COMPLETE WITH, BUT NOT LIMITED TO, HOUSINGS, ENERGY-EFFICIENT LAMPS, LAMP HOLDERS, REFLECTORS, ENERGY EFFICIENT BALLASTS, STARTERS AND WIRING. SHIP FIXTURES FACTORY-ASSEMBLED, WITH THOSE COMPONENTS REQUIRED FOR A COMPLETE INSTALLATION. DESIGN FIXTURES WITH CONCEALED HINGES AND LATCHES, WITH METAL PARTS GROUNDED AS COMMON UNIT, AND SO CONSTRUCTED AS TO DAMPEN BALLAST GENERATED NOISE.
- FLUORESCENT BALLASTS PROVIDED FOR FOUR (4) FOOT T-8 FLUORESCENT LAMPS SHALL BE TWO-LAMP ENERGY SAVING, ELECTRONIC TYPE.
- INSTALL INTERIOR LIGHTING FIXTURES AT LOCATIONS AS INDICATED, IN ACCORDANCE WITH FIXTURE MANUFACTURER'S WRITTEN INSTRUCTIONS, APPLICABLE REQUIREMENTS OF NEC, NECA'S "STANDARD OF INSTALLATION", NEMA STANDARDS, AND WITH RECOGNIZED INDUSTRY PRACTICES TO ENSURE THAT LIGHTING FIXTURES FULFILL REQUIREMENTS.
- PROVIDE AND INSTALL ALL LIGHT FIXTURES INDICATED COMPLETE WITH SPECIFIED LAMPS. FLUORESCENT LAMPS SHALL BE 48" SW, T-8, RAPID START WITH NOMINAL OPERATING TEMPERATURES OF 3,500 K - MINIMUM INITIAL LIGHT OUTPUT OF 2850 LUMENS. COMPACT FLUORESCENT LAMPS SHALL BE 26 WATT COMPACT FLUORESCENT LAMPS SHALL BE HIGH COLOR RENDERING, HIGH EFFICIENCY LAMPS WITH NOMINAL OPERATING TEMPERATURE OF 3,500 K.
- FASTEN LIGHTING FIXTURES SECURELY TO STRUCTURAL SUPPORTS, AND ENSURE THAT FIXTURES ARE PLUMB AND LEVEL.
- FLUORESCENT FIXTURES INSTALLED IN LAY-IN CEILING SHALL BE SUPPORTED BY ADDITIONAL WIRE SUPPORT AT TWO CORNERS, ATTACHED TO CEILING GRID, AND ANCHORED TO STRUCTURAL MEMBER. THIS ADDITIONAL WIRE SUPPORT SHALL BE THE RESPONSIBILITY OF THE ELECTRICAL CONTRACTOR AND IS NOT CONSIDERED PART OF GENERAL GRID LAYOUT.
- PROVIDE EQUIPMENT GROUNDING CONNECTIONS FOR INTERIOR LIGHTING FIXTURES AS INDICATED. TIGHTEN CONNECTION TO COMPLY WITH TIGHTENING TORQUES SPECIFIED IN UL STD 486A TO ASSURE PERMANENT AND EFFECTIVE GROUNDS.
- ALL LIGHT FIXTURES SHALL BE U.L. LISTED.

FIRE RATED WALL PENETRATIONS

- PROVIDE U.L. LISTED FIRESTOP SYSTEM SEALANTS AROUND ALL CONDUITS PASSING THROUGH ALL RATED WALLS OR FLOORS IN ACCORDANCE WITH THE U.L. FIRE RESISTANCE DIRECTORY.
- THE SELECTED SYSTEM MUST BEAR AN APPROVED U.L. PENETRATION SYSTEM NUMBER AND BE INSTALLED IN ACCORDANCE WITH THE SELECTED SYSTEM TAKING INTO ACCOUNT THE CONSTRUCTION AND THE RATING OF THE RATED ASSEMBLY BEING PENETRATED AND THE TYPE OF PENETRATION BEING MADE.
- THE ELECTRICAL CONTRACTOR SHALL REVIEW ARCHITECTURAL DRAWINGS TO CONFIRM NUMBER AND EXTENT OF ALL FIRE RATED PARTITIONS IN THE FACILITY.
- APPROVED PRODUCTS:
 - HILTI CS240
 - TERMO FRESHIELD
 - 3M CP-25



ELECTRICAL ONE LINE DIAGRAM

DAMMON ENGINEERING, INC.
Architects & Engineers

WOODHOUSE SPA
THE HIGH GROVE APARTMENTS
BATON ROUGE, LA

DATE: 5/23/2013
JOB NO: 2163
DATE: 5/14/2013
DRAWN BY: KJK
CHECKED BY: KJK

REVISIONS

#	DESCRIPTION	DATE
1	REVISION #1	5/23/2013

NOTES & SCHEDULE

SHEET No: 11 OF 15

E-3

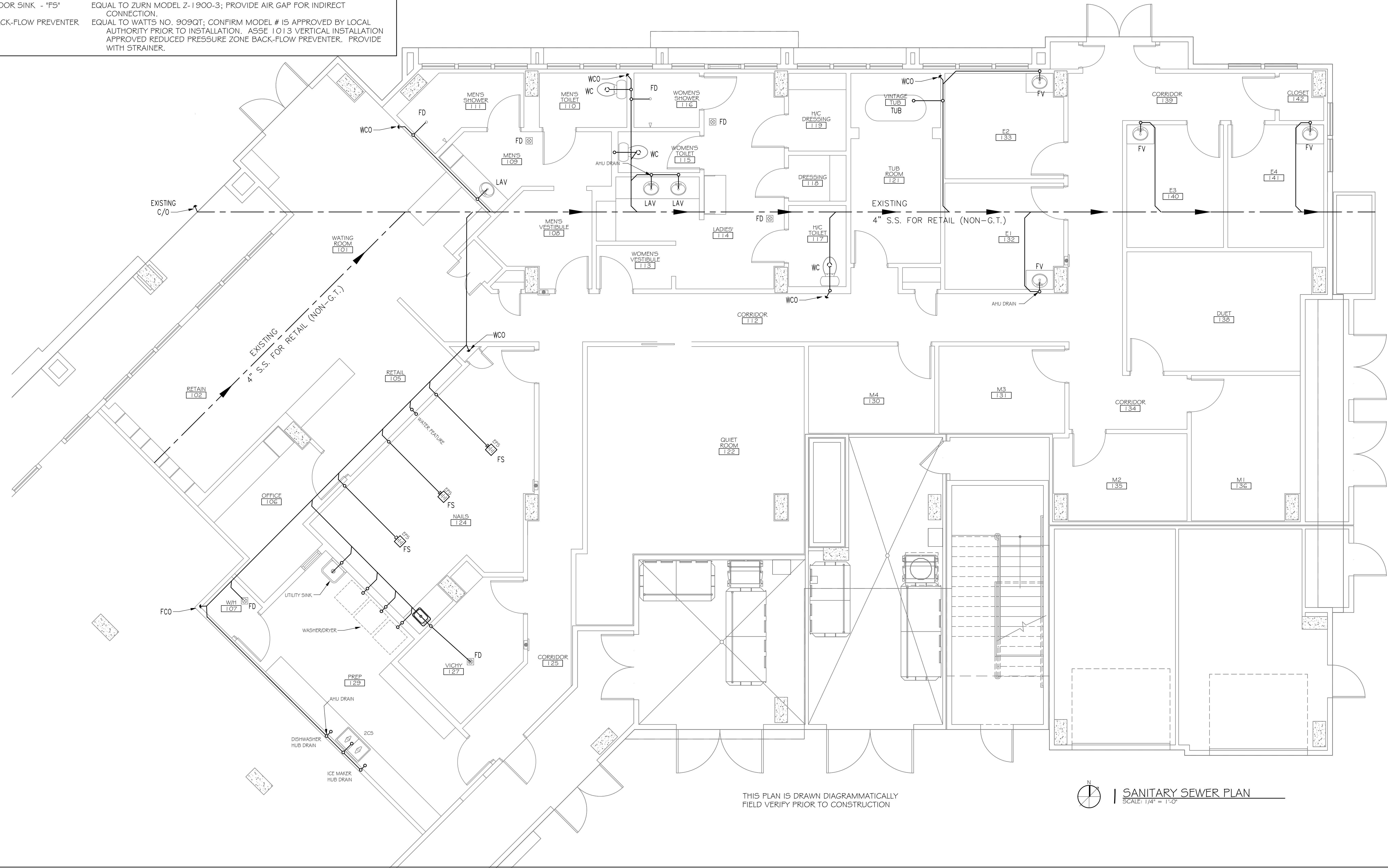
Administrative: dammonengineering.com
dammoneng@att.net
PHONE: 905-649-5532
FAX: 905-641-5950
CHIEF ENGINEER: RAVI K. DAVANON, P.E.
CHIEF ARCHITECT: KEVIN KIRCHEN
554 OLD SPANISH TRAIL
SUDDLETT, LA 70458

PLUMBING FIXTURE SCHEDULE

FIXTURE	DESCRIPTION
WATER CLOSET - "WC"	SEE WOODHOUSE SPECIFICATION; ALTO 137-160.
LAVATORY - "LAV"	SEE WOODHOUSE SPECIFICATION; KOHLER K2196.
FACIAL VANITY - "FV"	SEE WOODHOUSE SPECIFICATION; PORTLAND SINGLE VANITY.
VINATAGE TUB "TUB"	SEE WOODHOUSE SPECIFICATION; 67" VICTORIAN ACRYLIC SLIPPER TUB.
ECHO FOOT SPA "EFS"	SEE WOODHOUSE SPECIFICATION; CONTINUUM ECHO FOOT SPA. FOLLOW MANUFACTURER'S PLACEMENT OF FLOOR SINK.
BAR SINK	SEE WOODHOUSE SPECIFICATION; B155-2.
TWO COMP SINK "2CS"	SEE WOODHOUSE SPECIFICATION; MIDDLETON DOUBLE-BASIN SINK.
DISHWASHER	SEE WOODHOUSE SPECIFICATION; FRIGIDAIR 24" BUILT-IN DISHWASHER.
ICE MAKER	SEE WOODHOUSE SPECIFICATION; WHIRLPOOL GOLD 15" ICE MAKER.
UTILITY SINK - "US"	MUSTEE 24"x20" STRUCTURAL THERMOPLASTIC FLOOR-MOUNT UTILITY SINK.
WATER HEATER - "WH"	80 GALLON DUAL ELEMENT
FLOOR DRAIN - "FD"	4" ZURN # ZN-415 W/TRAP PRIMER.
FLOOR SINK - "FS"	EQUAL TO ZURN MODEL Z-1900-3; PROVIDE AIR GAP FOR INDIRECT CONNECTION.
BACK-FLOW PREVENTER	EQUAL TO WATTS NO. 909QT; CONFIRM MODEL # IS APPROVED BY LOCAL AUTHORITY PRIOR TO INSTALLATION. ASSE 1013 VERTICAL INSTALLATION APPROVED REDUCED PRESSURE ZONE BACK-FLOW PREVENTER. PROVIDE WITH STRAINER.

PLUMBING SITE NOTES:

- IT IS THE RESPONSIBILITY OF THIS CONTRACTOR TO FIELD VERIFY ALL SITE CONDITIONS PRIOR TO STARTING ANY PHASE OF CONSTRUCTION. ANY CHANGES OR COST NOT SHOWN ON THESE DRAWINGS SHALL BE BROUGHT TO THE ATTENTION OF THE ARCHITECT, ENGINEER.
- ALL EXISTING UTILITIES SHOWN ON THIS PLAN ARE ASSUMED TO BE CORRECT. IT IS THE RESPONSIBILITY OF THIS CONTRACTOR TO PROPERLY VERIFY ALL UNDERGROUND UTILITIES.
- KEEP ALL CUTTING AND PATCHING TO A MINIMUM.
- IT IS RECOMMENDED THAT THE SUBCONTRACTOR ARRANGE A PRE-JOB CONFERENCE WITH THE CONSTRUCTION SUPERVISOR FOR REVIEW & CLARIFICATION PRIOR TO STARTING ANY WORK.



THIS PLAN IS DRAWN DIAGRAMMATICALLY
FIELD VERIFY PRIOR TO CONSTRUCTION

SANITARY SEWER PLAN
SCALE: 1/4" = 1'-0"

DAMMON
ENGINEERING, INC.
Architects & Engineers

ADMINISTRATIVE: COT
dammon@dammon.net
PHONE: 985-649-5332
FAX: 985-641-5950

CHIEF ENGINEER: BRADY DANON, P.E.
CHIEF ARCHITECT: KEVIN KINCHEN
554 OLD SPANISH TRAIL
SUDELL, LA 70458

WOODHOUSE SPA
THE HIGH GROVES APARTMENTS
BATON ROUGE, LA

#	DESCRIPTION	DATE
1	REVISION #1	5/23/2013

JOB No:	DATE:	CHECKED BY:
2163	5/14/2013	KJK

SANITARY SEWER PLAN

SHEET No: 12 OF 15
P-1

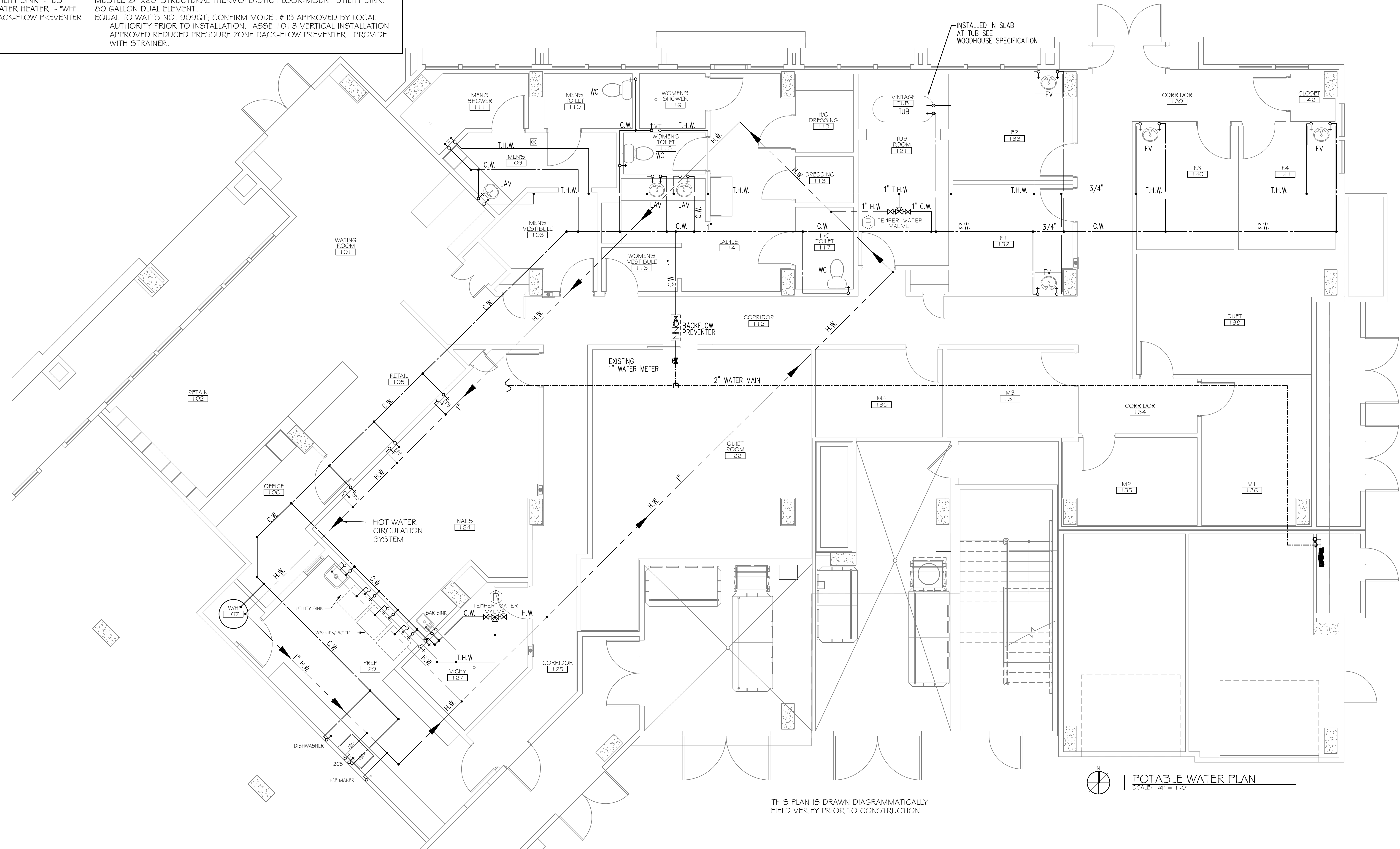
PLUMBING FIXTURE SCHEDULE

FIXTURE	DESCRIPTION
WATER CLOSET - "WC"	SEE WOODHOUSE SPECIFICATION.
LAVATORY - "LAV"	SEE WOODHOUSE SPECIFICATION; DELTA 2555RB-2 I GRB.
FACIAL VANITY - "FV"	SEE WOODHOUSE SPECIFICATION; VANITY SINK FAUCET.
VINATAGE TUB "TUB"	SEE WOODHOUSE SPECIFICATION; RANDOLPH MORRIS RM462ORB, RMN2000RB, RMN144FORB, RMN144IORB, RMN146SORB, .
SHOWER	SEE WOODHOUSE SPECIFICATION; DELTA R10000-IF, DELTA RPW124HDF, MONITOR 13 SERIES T13020.
VICHY SHOWER	WATER WERKS CASCADE; SWIVELING SHOWER ARM WITH 5 SHOWER HEADS. SEE WOODHOUSE SPECIFICATION.
ECHO FOOT SPA "EFS"	SEE WOODHOUSE SPECIFICATION; CONTINUUM ECHO FOOT SPA. FOLLOW MANUFACTURER'S PLACEMENT OF HOT AND COLD WATER.
BAR SINK	SEE WOODHOUSE SPECIFICATION; 2190 SERIES.
TWO COMP SINK "2CS"	SEE WOODHOUSE SPECIFICATION; DELTA B241OLF.
DISHWASHER	SEE WOODHOUSE SPECIFICATION; FRIGIDAIR 24" BUILT-IN DISHWASHER.
ICE MAKER	SEE WOODHOUSE SPECIFICATION; WHIRLPOOL GOLD 15" ICE MAKER.
UTILITY SINK - "US"	MUSTEE 24"X20" STRUCTURAL THERMOPLASTIC FLOOR-MOUNT UTILITY SINK, 80 GALLON DUAL ELEMENT.
WATER HEATER - "WH"	EQUAL TO WATTS NO. 909QT; CONFIRM MODEL # IS APPROVED BY LOCAL AUTHORITY PRIOR TO INSTALLATION. ASSE 1013 VERTICAL INSTALLATION APPROVED REDUCED PRESSURE ZONE BACK-FLOW PREVENTER. PROVIDE WITH STRAINER.
BACK-FLOW PREVENTER	

C.W. - COLD WATER
H.W. - HOT WATER
T.W.H. - TEMPERED HOT WATER

PLUMBING SITE NOTES:

- IT IS THE RESPONSIBILITY OF THIS CONTRACTOR TO FIELD VERIFY ALL SITE CONDITIONS PRIOR TO STARTING ANY PHASE OF CONSTRUCTION. ANY CHANGES OR COST NOT SHOWN ON THESE DRAWINGS SHALL BE BROUGHT TO THE ATTENTION OF THE ARCHITECT, ENGINEER.
- ALL EXISTING UTILITIES SHOWN ON THIS PLAN ARE ASSUMED TO BE CORRECT. IT IS THE RESPONSIBILITY OF THIS CONTRACTOR TO PROPERLY VERIFY ALL UNDERGROUND UTILITIES.
- KEEP ALL CUTTING AND PATCHING TO A MINIMUM.
- IT IS RECOMMENDED THAT THE SUBCONTRACTOR ARRANGE A PRE-JOB CONFERENCE WITH THE CONSTRUCTION SUPERVISOR FOR REVIEW & CLARIFICATION PRIOR TO STARTING ANY WORK.



POTABLE WATER PLAN
SCALE: 1/4" = 1'-0"

THIS PLAN IS DRAWN DIAGRAMMATICALLY
FIELD VERIFY PRIOR TO CONSTRUCTION

DAMMON
ENGINEERING, INC.
Architects & Engineers

Administrative: 504-649-5332
dammone@dammon.net
554 Old Spanish Trail
Suldel, LA 70458

Project Engineer: BRADY DANON, P.E.
Chief Engineer: KEVIN KIRCHEN
Chief Architect: KEVIN KIRCHEN
554 Old Spanish Trail
Suldel, LA 70458

WOODHOUSE SPA
THE HIGH GROVES APARTMENTS
BATON ROUGE, LA

#	DESCRIPTION	DATE
1	REVISION #1	5/23/2013

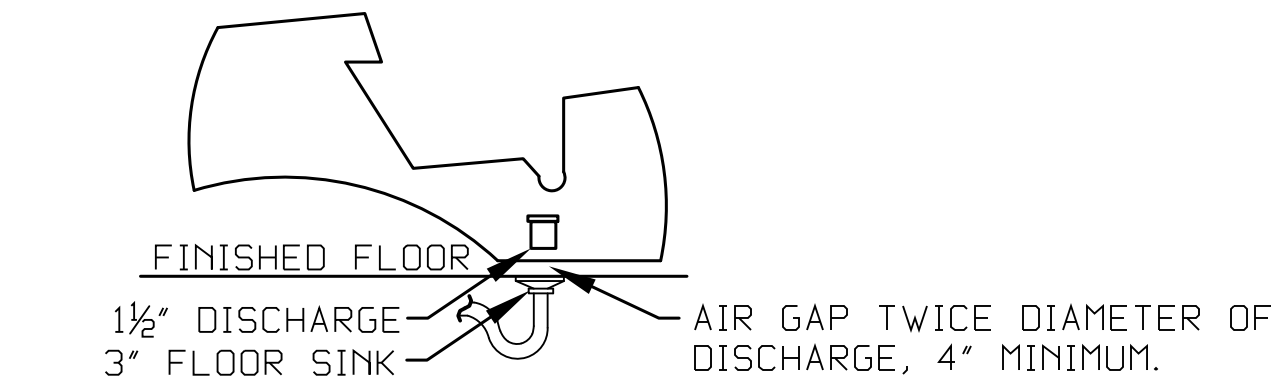
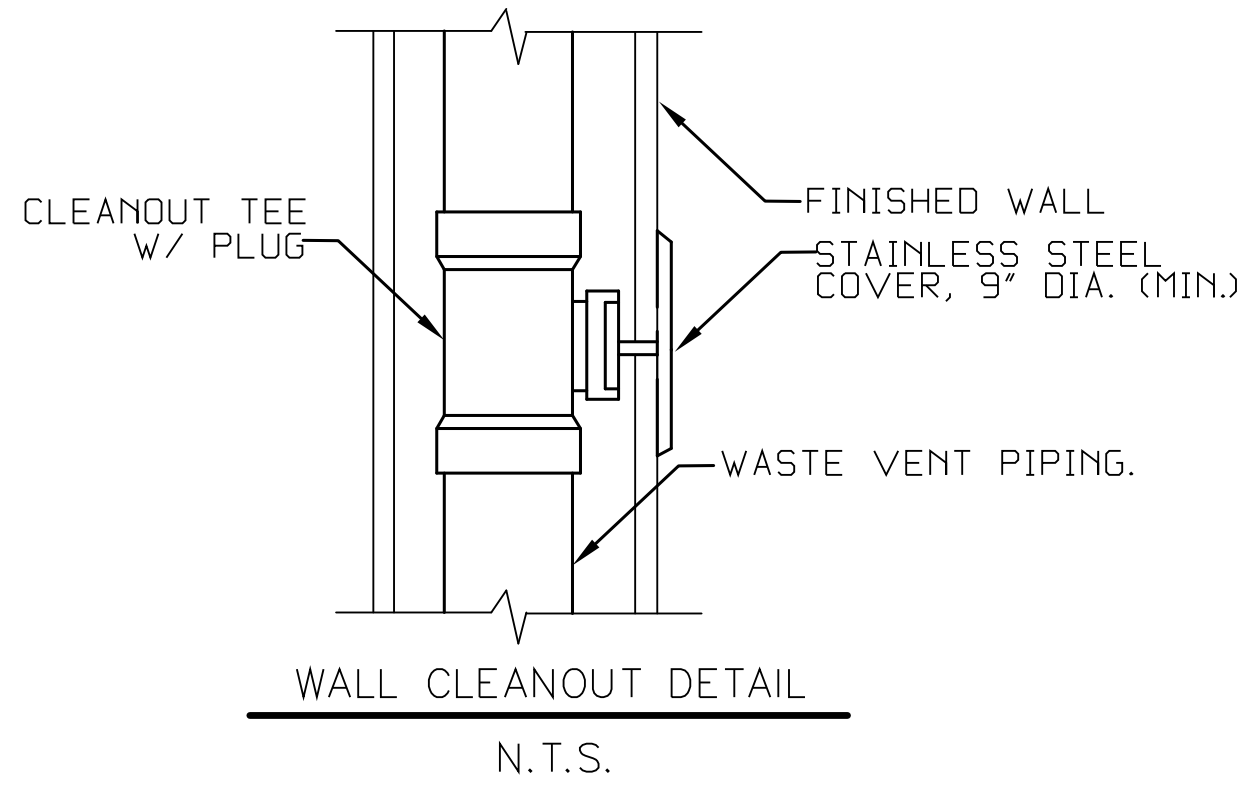
REVISIONS	DATE

JOB No: 2163 DATE: 5/14/2013
DRAWN BY: JCT CHECKED BY: KJK

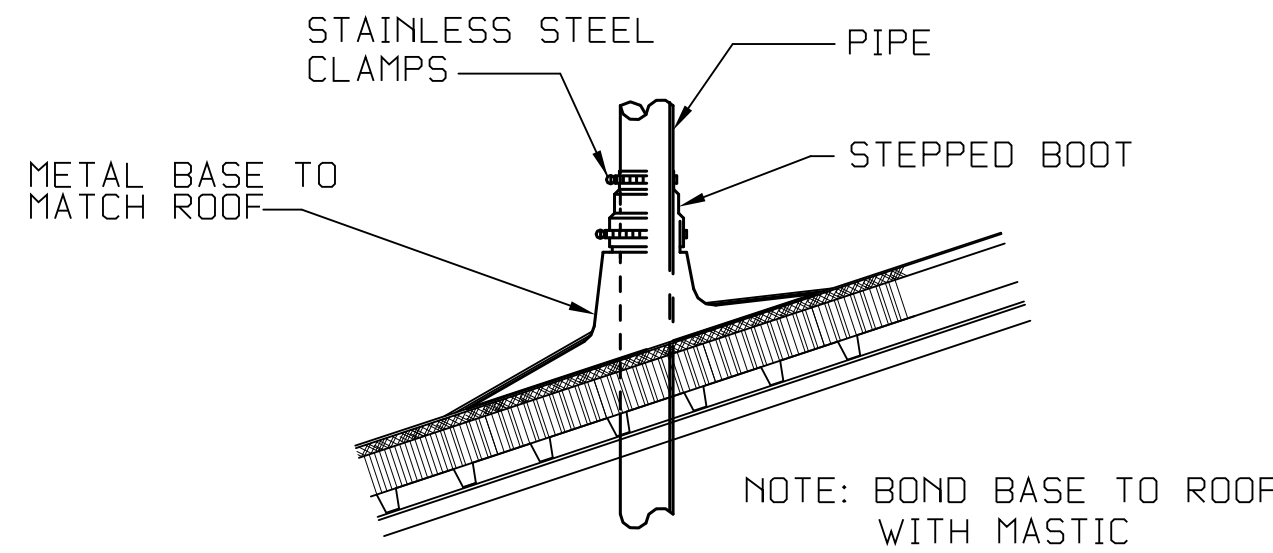
POTABLE WATER PLAN

SHEET No: 13 OF 15

P-2

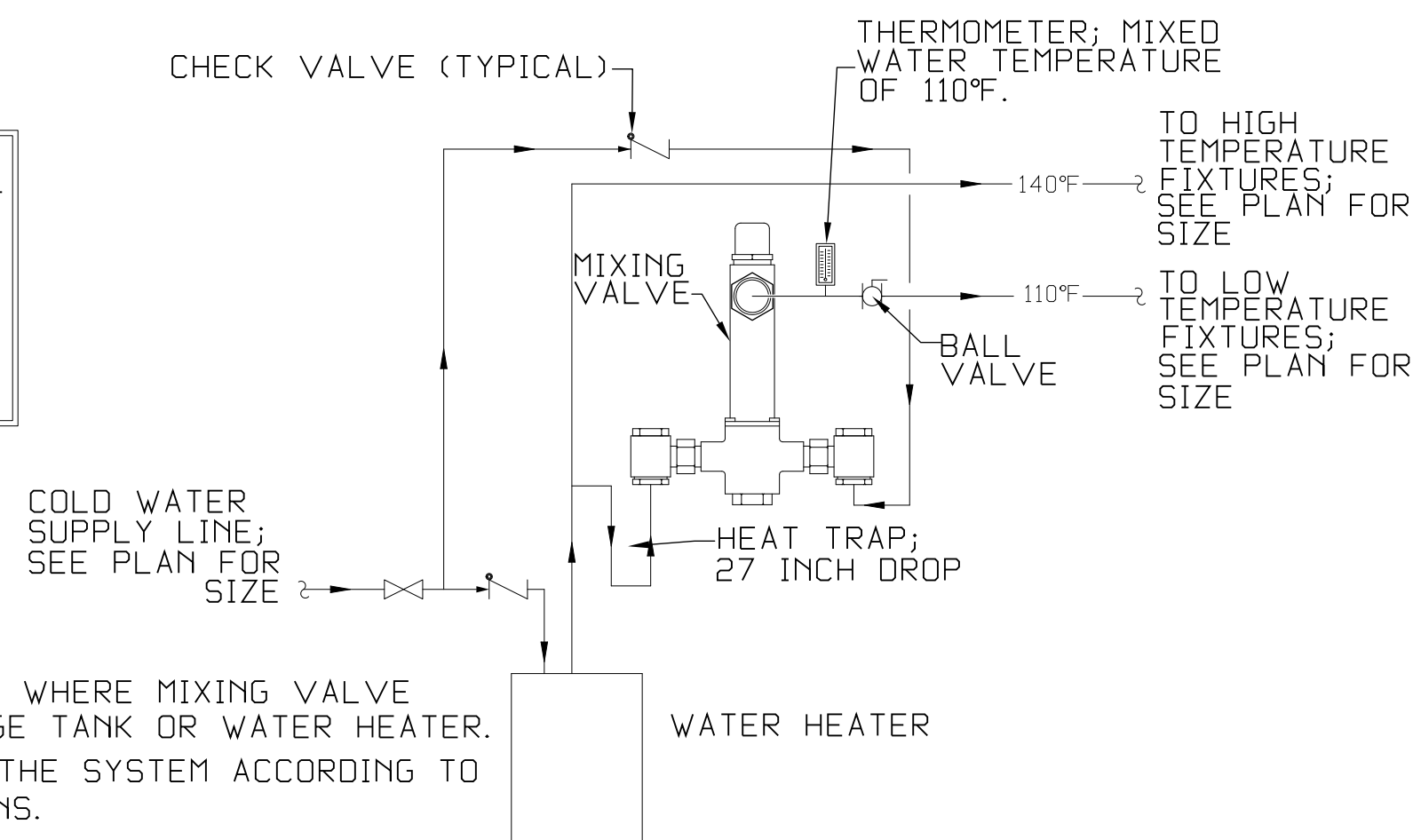


FOOT SPA WITH FLOOR SINK DETAIL
NOT TO SCALE



TYPICAL VENT THRU ROOF DETAIL
N.T.S.

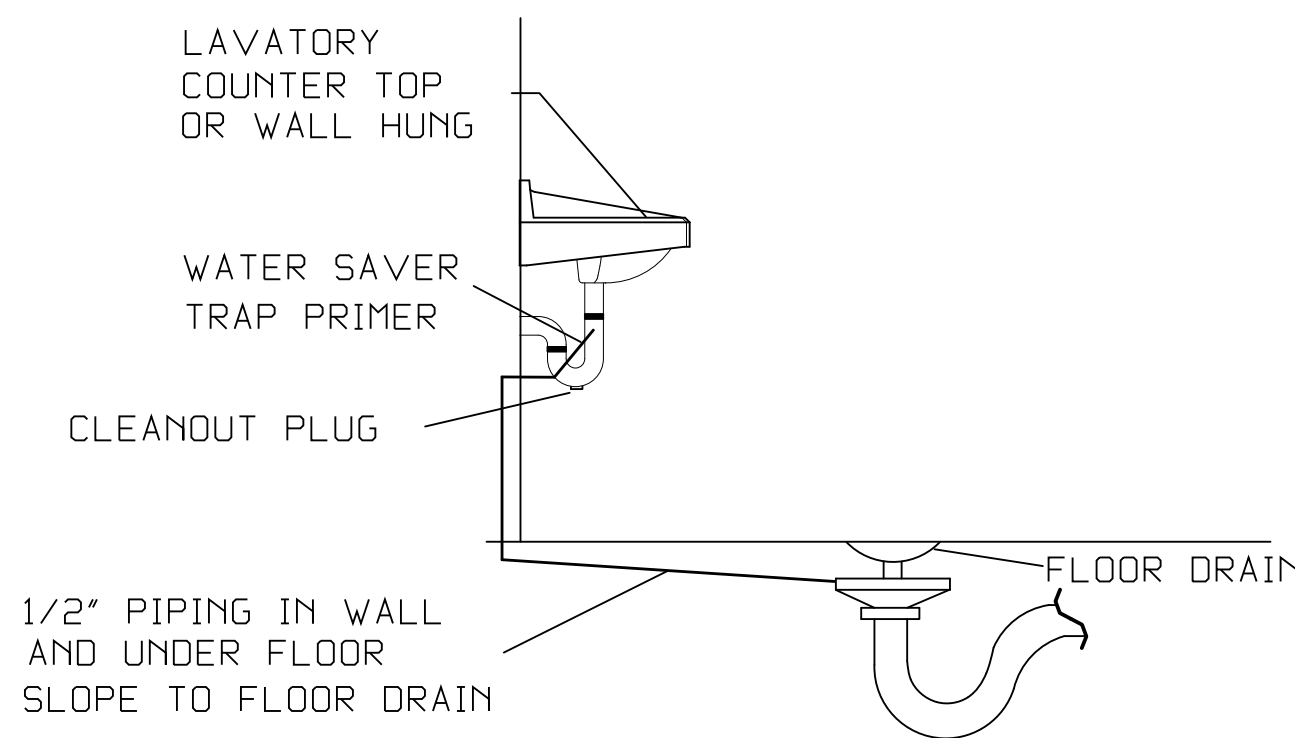
NOTE: WATER HEATER TEMPERATURE TO BE SET AT 140° F PROVIDE TEMPERING VALVE (SET @ 110°F) AS SHOWN FOR ALL HAND SINK & SHOWER HOT WATER SUPPLIES.



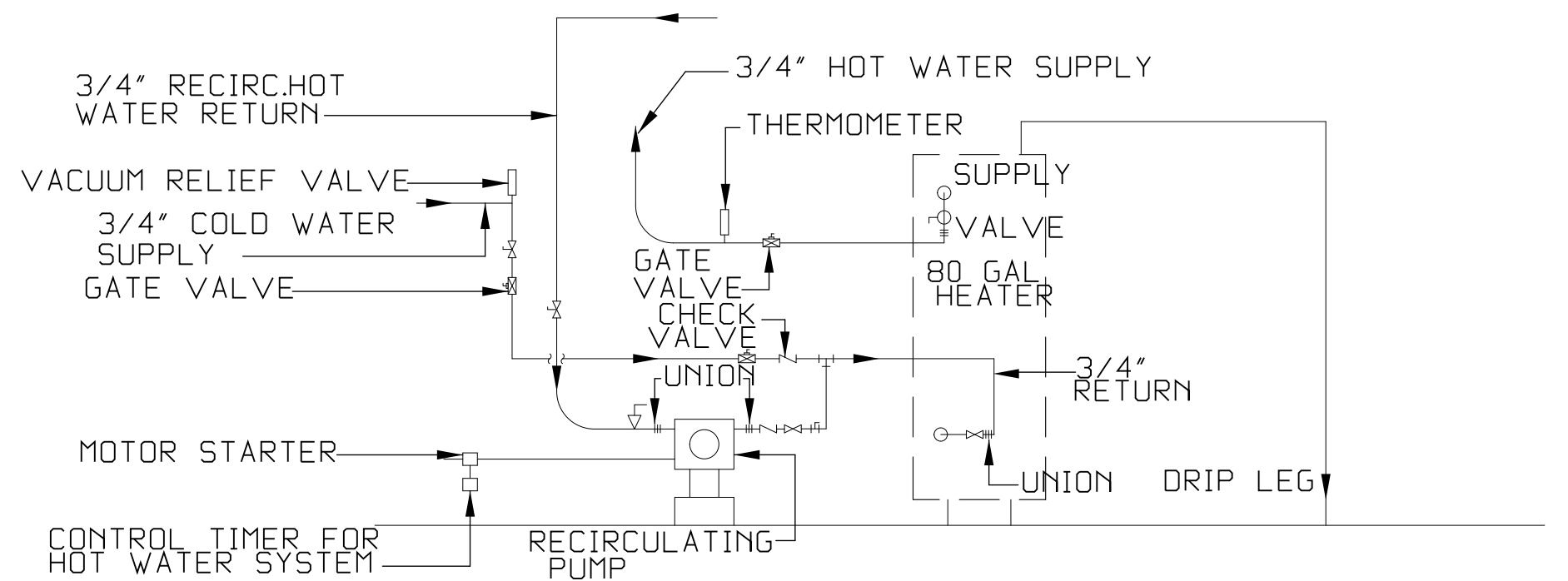
TEMPERED WATER VALVE
NOT TO SCALE

NOTES:

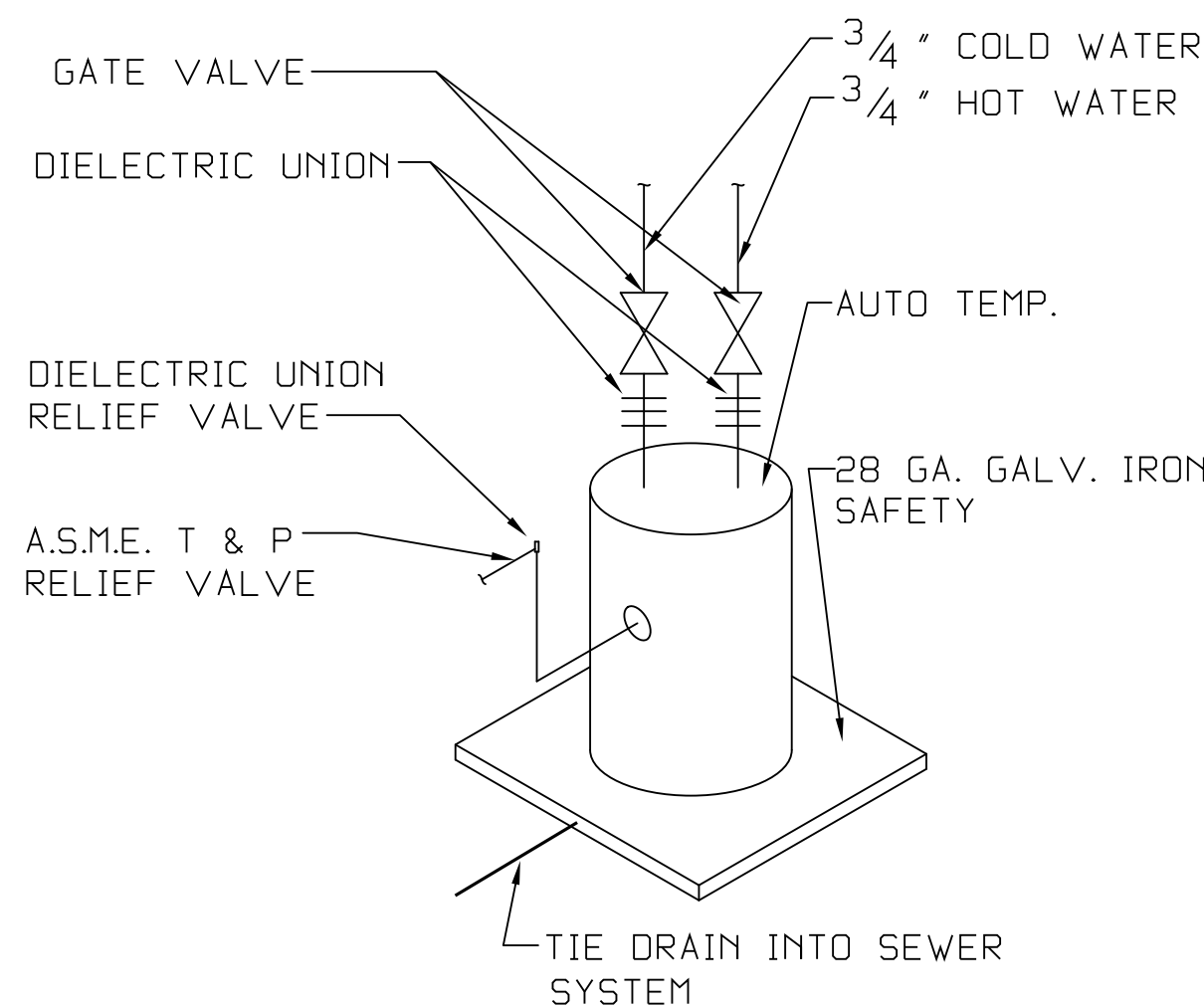
- HEAT TRAP IS NOT REQUIRED WHERE MIXING VALVE IS INSTALLED BELOW STORAGE TANK OR WATER HEATER.
- SET THE MIXING VALVE TO THE SYSTEM ACCORDING TO MANUFACTURER'S INSTRUCTIONS.



FLOOR DRAIN DETAIL
Scale: Not To Scale



MAIN WATER HEATER CIRCULATION DIAGRAM
N.T.S.



TYPICAL WATER HEATER
N.T.S.

GENERAL NOTES:

- PLUMBING CONTRACTOR IS TO FURNISH AND INSTALL ALL FIXTURES COMPLETE AS LISTED IN "PLUMBING FIXTURE SCHEDULE" AND THE WOODHOUSE SPECIFICATION. PROVIDE ALL LABOR, MATERIAL AND EQUIPMENT FOR A COMPLETE OPERATING SYSTEM. THE SYSTEM SHALL INCLUDE RECIRCULATING HOT AND COLD WATER PIPING, SEWER AND VENT PIPING, INSULATION, WATER HEATER, HANGERS, VALVES, SUPPORTS WITHOUT ANY RESTRICTIONS TO VOLUME.
- ALL HANDICAP PLUMBING FIXTURES SHALL BE INSTALLED TO COMPLY WITH STATE AND LOCAL CODES. P.C. SHALL FURNISH AND INSTALL CODE COMPLIANT TRAP WRAP ON ALL EXPOSED WATER & WASTE LINES FOR ALL HANDICAP ACCESSIBLE LAVATORIES.
- CONTRACTOR IS TO FIELD VERIFY ALL EXISTING UTILITY LOCATIONS, ELEVATIONS AND SIZES PRIOR TO COMMENCING ANY WORK. PLUMBER TO VERIFY SLAB CONDITIONS (POST TENSION OR CONVENTIONAL) BEFORE COMMENCING WORK. WHERE A RENOVATION IS TO OCCUR, THE PLUMBING CONTRACTOR SHALL VISIT THE SITE TO DETERMINE THE EXTENT OF DEMOLITION REQUIRED, PRIOR TO SUBMITTING BID.
- PLUMBING CONTRACTOR SHALL PROVIDE AS-BUILT DRAWINGS TO THE GENERAL CONTRACTOR PRIOR TO FINAL PAYMENT.
- ALL WORK SHALL BE INSTALLED TO COMPLY WITH LOCAL AND STATE PLUMBING CODE REQUIREMENTS, AND PER LOCAL HEALTH DEPARTMENT REQUIREMENTS.
- THE HOT WATER PRESSURE RELIEF MUST BE CONNECTED EITHER INDIRECTLY TO THE SANITARY SEWER OR DIRECTLY OUTSIDE.
- TEST ALL PIPING AT REQUIRED PRESSURE.
- ALL PLUMBING SHALL BE CLOSELY COORDINATED WITH STRUCTURAL SYSTEM, MECHANICAL SYSTEM AND ELECTRICAL TO INSURE NO TRADES WILL CONFLICT WITH EACH OTHER.
- DO NOT SCALE DRAWINGS. SEE ARCHITECTURAL DRAWINGS FOR EXACT LOCATIONS OF DOORS, WINDOWS, WALLS, FIXTURES, ETC.
- ALL WATER MAINS AND PIPING NOT SHOWN FOR CLARITY, ALL LOCATIONS SHALL BE FIELD VERIFIED.
- ALL ELECTRICAL, MECHANICAL & PLUMBING PENETRATING FIRE PARTITIONS SHALL BE FIRE CAULKED. (PENETRATIONS THROUGH RATED CONSTRUCTION SHALL BE SEALED WITH A MATERIAL CAPABLE OF PREVENTING THE PASSAGE OF FLAMES AND HOT GASES WHEN TESTED IN ACCORDANCE WITH ASTM-E814.)

WASTE AND VENT PIPING:

- PLUMBING CONTRACTOR SHALL USE SERVICE WEIGHT CAST IRON PIPE WITH BELL AND SPIGOT ENDS AND ONE PIECE NEOPRENE INSERT TYPE GASKET. USE PVC SCHEDULE 40 OR ABD DWV PIPES AND FITTINGS WHERE PERMITTED BY CODE. ALL PIPING ABOVE GRADE MAY HAVE HUBLESS FITTINGS. PLASTIC PIPING SHALL NOT BE USED IN RETURN AIR PLENUM. COORDINATE THIS REQUIREMENT WITH HVAC CONTRACTOR PRIOR TO INSTALLATION.
- CONTRACTOR SHALL FIELD VERIFY INVERT ELEVATIONS OF ALL NEW AND EXISTING SANITARY SEWERS PRIOR TO ROUGH-IN.
- NEW SEWERAGE LINES 3-INCH AND SMALLER SHALL BE SLOPED 1/4" PER FOOT AND LINES 4-INCH AND LARGER SHALL BE SLOPED 1/8" PER FOOT.
- ELEVATION OF ALL FLOOR DRAINS SHALL BE HELD 1/2" BELOW FINISH FLOOR TILE.
- ALL CLEANOUTS SHALL BE INSTALLED FLUSH WITH FINISHED GRADE/FINISHED FLOORS.
- HOLD ALL PLUMBING VENTS A MINIMUM OF 10'-0" FROM OUTSIDE AIR INTAKES. WHERE STATE OR LOCAL CODES REQUIRE MORE SEPARATION, P.C. SHALL OFFSET TO MEET THE MORE STRINGENT CODE ON HVAC EQUIPMENT. COORDINATE LOCATION WITH M.C.

WATER PIPING:

- POTABLE WATER PIPING AND FITTINGS ABOVE GRADE SHALL BE ASTM B88 COPPER WATERTUBE, TYPE "L". HARD DRAWN WITH COPPER PRESSURE TYPE FITTINGS, ANSI B16.22. THE JOINTS SHALL BE SOLDERED TYPE USING ASTM B32, ALLOY GADE 95A (95-5) SOLDER. DOMESTIC WATER PIPING BELOW GRADE SHALL BE TYPE "M" SOFT TEMPERED COPPER.
- INSTALL 1" FOAM RUBBER INSULATION ON ALL HOT AND COLD WATER PIPING BELOW AND ABOVE GRADE. ALL JOINTS IN INSULATION ARE TO BE TAPED.
- ALL DOMESTIC WATER PIPING SHALL BE DISINFECTED PRIOR TO USE BY BUILDING OCCUPANT. PLUMBING CONTRACTOR SHALL DISINFECT PER REQUIREMENTS OF LOCAL HEALTH DEPT., STATE/LOCAL PLUMBING CODE.
- ALL PLUMBING HOSE BIBBS OR VALVES WITH THREADED CONNECTIONS SHALL BE PROVIDED WITH VACUUM BREAKERS AND APPROVED MEANS OF BACK-FLOW PREVENTION AS REQUIRED BY STATE AND LOCAL CODES.
- PROVIDE SHUT-OFF VALVES ON ALL EQUIPMENT AND STOP COCKS IN HOT AND COLD WATER PIPING FIXTURES.
- PLUMBING CONTRACTOR SHALL PROVIDE DIELECTRIC UNIONS AT ALL PIPING CONNECTIONS WHERE DISSIMILAR PIPING IS JOINED.
- ALL HOT AND COLD WATER, WASTE, AND VENT PIPING TO BE SUPPORTED PER LOCAL PLUMBING CODE.
- PROVIDE TEMPERED HOT WATER DEVICES, SET TO 110° F.
- PROVIDE AND INSTALL A 1/8 HP CIRCULATING PUMP WITH TIMER FOR THE HOT WATER SYSTEM.

DAMMON ENGINEERING, INC.
Architects & Engineers

Administrative: 504-985-6411
dammone@delco.net
dammone@delco.net
PHONE: 985-649-5332
FAX: 985-641-5950

CHIEF ENGINEER: BRADY DANNON, P.E.
CHIEF ARCHITECT: KEVIN KIRCHEN
554 OLD SPANISH TRAIL
SUDDLE, LA 70458

WOODHOUSE SPA
THE HIGH GROVES APARTMENTS
BATON ROUGE, LA

#	DESCRIPTION	DATE
1	REVISION #1	5/23/2013

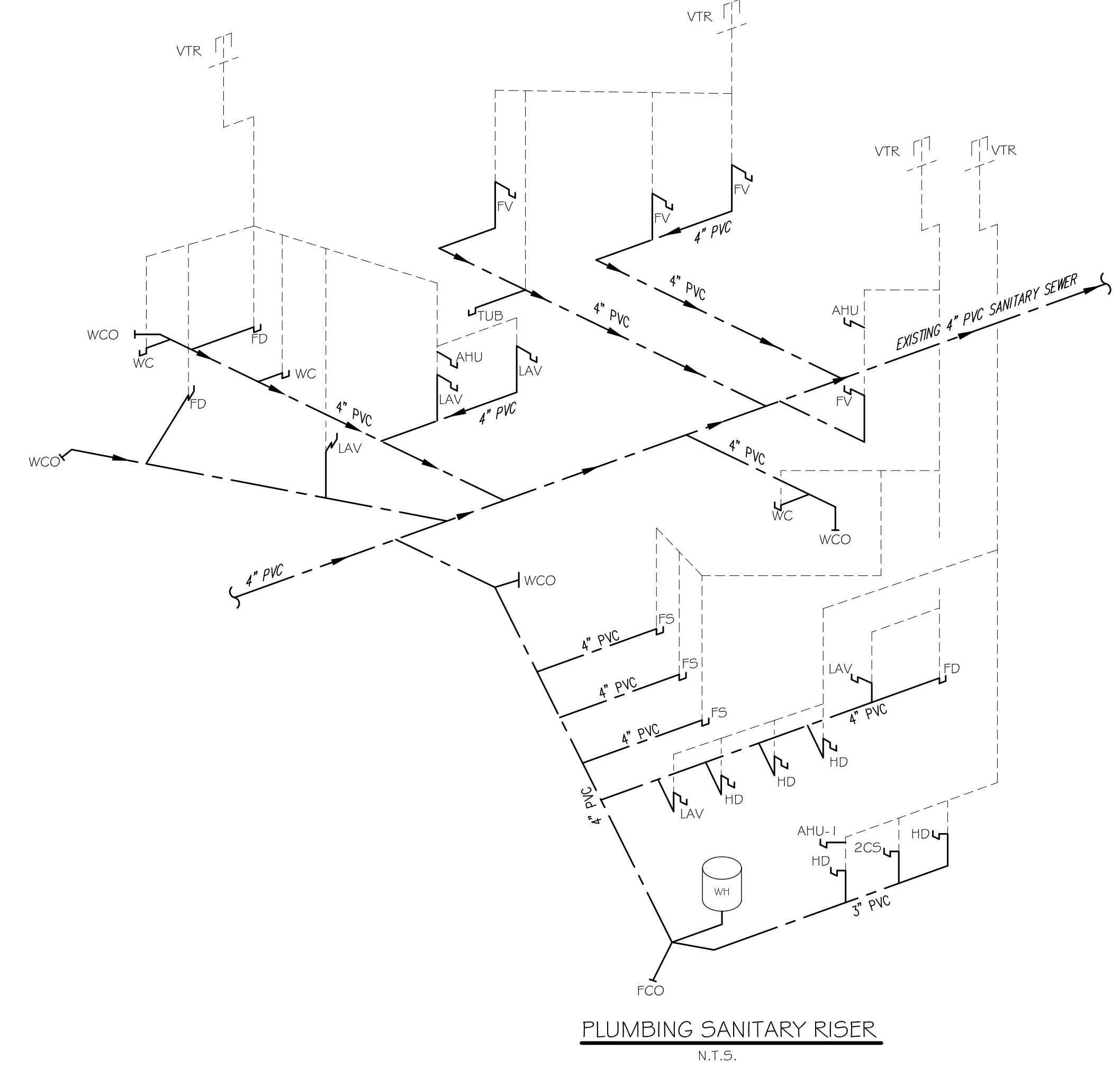
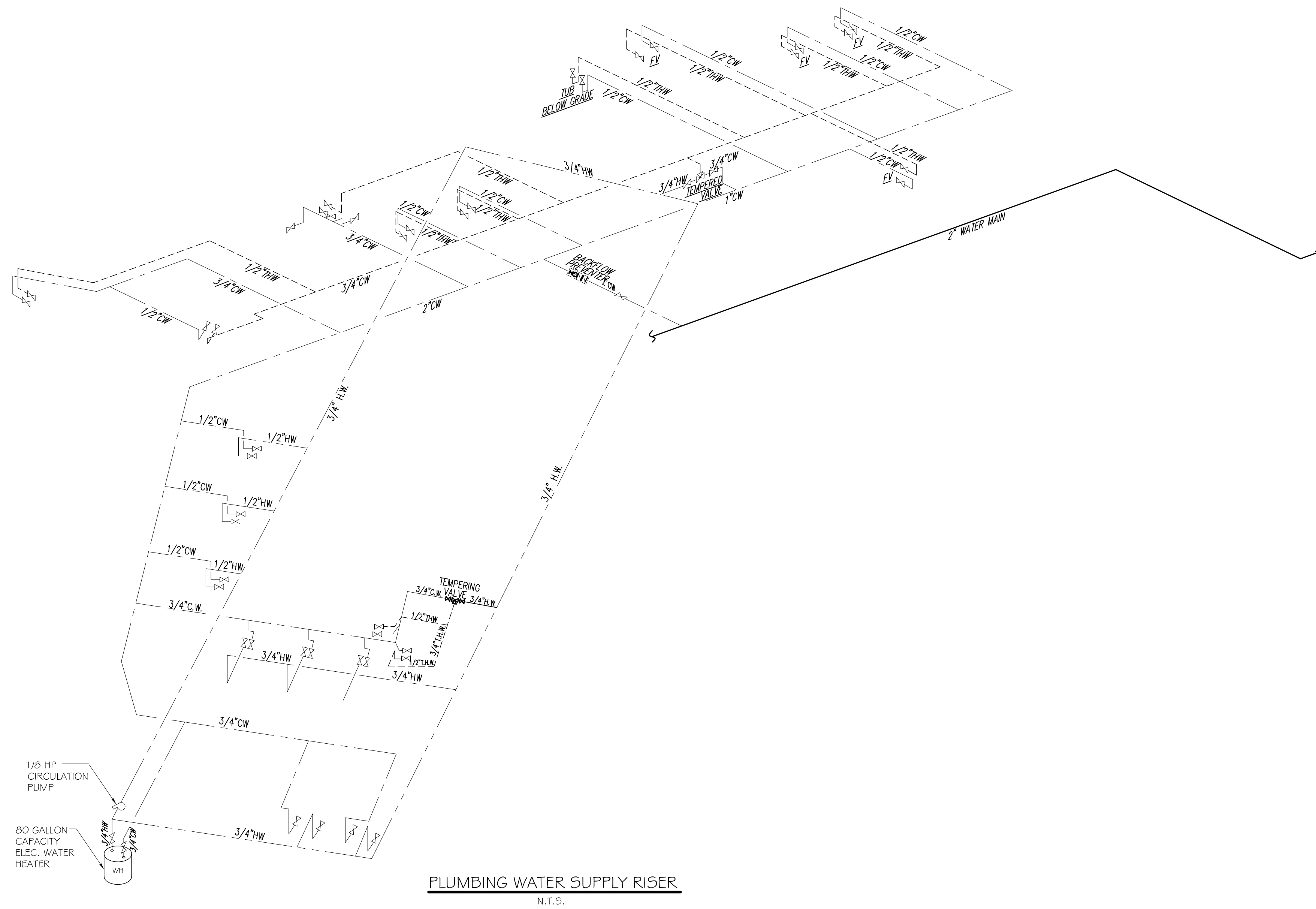
NOTES &
RISER
DIAGRAMS

SHEET No: 14 OF 15

P-3

PLUMBING FIXTURE SCHEDULE

FIXTURE	
"WC"	WATER CLOSET
"LAV"	LAVATORY
"FV"	FACIAL VANITY
"TUB"	VINTAGE TUB
"EFS"	ECHO FOOT SPA
"2CS"	TWO COMP. SINK.
"US"	UTILITY SINK.
"WH"	WATER HEATER
"FD"	FLOOR DRAIN
"HD"	HUB DRAIN
"FS"	FLOOR SINK



WOODHOUSE SPA
THE HIGH GROVES APARTMENTS
BATON ROUGE, LA

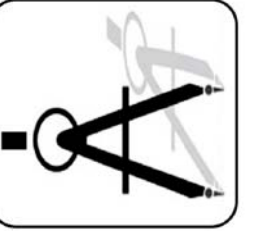
#	DESCRIPTION	DATE
1	REVISION #1	5/23/2013

PLUMBING RISER DIAGRAMS

SHEET No: 15 of 15

P-4

THIS PLAN IS DRAWN DIAGRAMMATICALLY
FIELD VERIFY PRIOR TO CONSTRUCTION



DAMMON
ENGINEERING, INC.
Architects & Engineers

CHIEF ENGINEER: BRADY DAMMON, P.E.
CHIEF ARCHITECT: KEVIN KIRCHEN
554 OLD SPANISH TRAIL
SUDELL, LA 70456
PHONE: 985-649-5332
FAX: 985-641-5950
dammonengineering.com
dammoneng@att.net

The above drawings and specifications, including all amendments, are the property of Dammon Engineering, Inc. and shall remain the property of Dammon Engineering, Inc. until the project is completed. No part of these drawings may be reproduced or transmitted in any form or by any means, electronic, mechanical, photocopying, recording, or by any information storage and retrieval system, without the prior written consent of Dammon Engineering, Inc. All rights reserved.

JOB No: 2163 DATE: 5/14/2013
DRAWN BY: JCT CHECKED BY: KJK