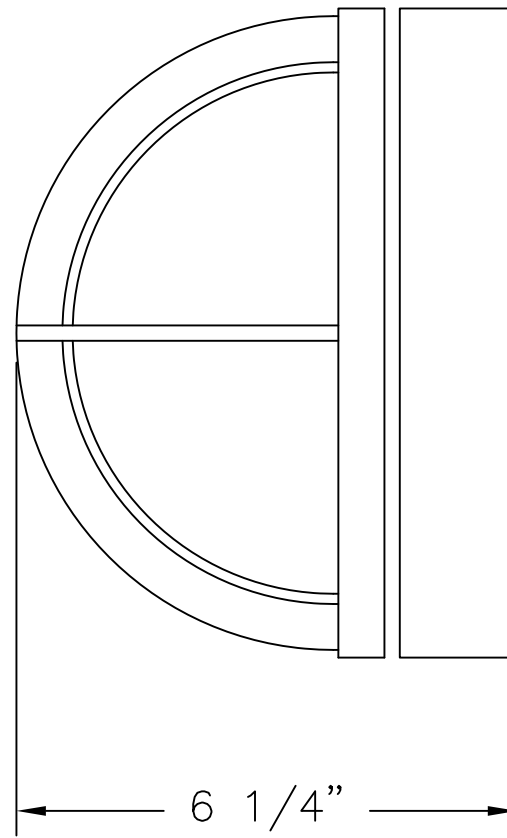


FRONT VIEW



SIDE VIEW

NOTES:

1. LUMINAIRE #2893P – SEE SPECIFICATIONS.
2. (2) 120V/277V MAGNETIC BALLASTS IN LUMINAIRE.
3. (2) 13W CF TWIN-2P LAMPS (BY OTHERS).
4. WITH POLY DIFFUSER.
5. STANDARD BEGA COLORS.

This print contains confidential information which is the property of BEGA/US. By accepting this information, the borrower agrees that it will not be used for any other purpose other than that which is was loaned.

Catalog No.: 2893P

Description: TECH WALL LUMINAIRE W/GLASS DIFFUSER

Drawn by: KLC Date: 04/27/05 File Name: 2893P

SCALE: NONE – DO NOT SCALE DRAWING

BEGA

1000 Bega Way
Carpinteria, Ca. 93013
(805) 684-0533