

Cerra® 7 Indirect Indirect T5/T5HO

Type:

Project:

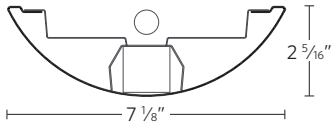
SPECIFICATIONS

Suspended

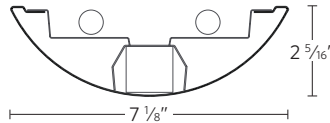
7CRM1

LAMPING OPTIONS

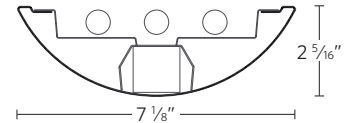
□ 7CRM1 - 1



□ 7CRM1 - 2



□ 7CRM1 - 3



SPECIFICATIONS

Construction

Nominal 7" x 2" crescent housing is formed from one-piece cold-rolled steel. Flat end plate standard. Sculptured die-cast aluminum end cap is optional.

Reflectors

Die-formed highly reflective white or specular reflector.

Finish

Fine-textured, white or aluminum polyester powder paint. Custom colors available, consult factory.

Electrical

Specify 120V, 277V or 347V. Pre-wired with 16AWG fixture wires. For special circuiting or wire gauge, consult factory. Plug-in electrical connectors included. UL and C-UL listed.

Luminaire Length

4', 8', and 12' lengths in a single section for exact suspension spacing of 4', 8', and 12'. For total luminaire length, add 1/16" for each flat end plate or 3" for each sculptured end cap. Using internal joiners, 4', 8', and 12' sections can be joined to form longer length luminaires.

CATALOG NUMBER

Examples: 7CRM1 2 54T5HO WHR 40FT R12 277 GEB10 DCT LP835 F1/18 C210 SCEP — 7CRM1 3 54T5HO SPR 32FT R8 277 GEB10 1SE EL DCT LP835 F1/21 C210

Luminaire	# of Lamps in Cross Section	Lamp Type	Reflector	Luminaire Row Length	Maximum Section Length	Voltage	Ballast Type	# of Emergency Modules	Emergency Type ³
7CRM1	1 2 3	28T5 28W T5 54T5HO 54W T5HO	WHR White Reflector (Standard) SPR Specular Reflector	X FT (4' increments)	R4 4' section(s) R8 8' section(s) R12 12' section(s)	120 277 347 ²	GEB10 <10% THD Electronic ADEZ1,2 Advance Mark 10 dim DMHL3D ¹ Lutron Hi-Lume dim OSDIM ^{1,2} Osram 0-10V dim <i>Reference Ballast Wizard on website or consult factory for other options.</i>	(Blank) None 1SE 1 section 2SE 2 sections XSE X sections	(Blank) None EC Emergency circuit EL ¹ Emergency battery pack EN ¹ Emergency battery pack w/night light circuit

Switching	Lamp Color	Mounting Type /	Overall Suspension	Finish	Options
SCT Single circuit DCT Dual circuit	L/LP No lamp LP830 3000k 80+ CRI LP835 3500k 80+ CRI LP841 4100k 80+ CRI Available with T5 only: LP830P 3000K 80+ CRI Premier LP835P 3500K 80+ CRI Premier LP841P 4100K 80+ CRI Premier <i>Reference Lamp Chart on website or consult factory for other options.</i>	F1/ T-bar ceiling (universal mounting bracket) F1A/ T-bar ceiling (UMB with integrated J-box) F2/ Hard ceiling (horizontal J-box)	12 12" 15 15" 18 18" 21 21" 24 24" XX XX" <i>Overall suspension is measured from ceiling to bottom of luminaire.</i>	C110 Painted aluminum (low gloss) C210 White white (fine-textured low gloss) C099 Custom finish	ACG Adjustable cable grippers BLK Black cord, cord manager and canopy CP Chicago plenum (available with F1A only) DL Damp location label DU* Dust cover ELH Emergency through wiring w/separate feed ELS Emergency through wiring w/single feed, shared neutral ELS2 Emergency through wiring w/single feed, separate neutrals GLR Fusing (fast blow) GMF Fusing (slow blow) MCS Matching feed canopy at support NEPPP5D nLight enabled control module per row/zone NYC New York City code OJB Offset junction box SCEP Sculptured end cap SLP Sloped ceiling (for 10-45°, must be specified with F2, ACG and OJB options) XXXX Integrated sensor; choose options and obtain code on page 2

Notes:

- Not available in 347V
- Not available with 28T5 lamps
- EL and EC are installed in last 4' of luminaire sections. Separate feed required unless ELS or ELS2 is specified
- May not be available for all units

2246 5th Street, Berkeley, CA 94710 • Tel: 510.845.2760 • Fax: 510.845.2776 • Email: techsupport@peerlesslighting.com • PeerlessLighting.com

Cerra® 7 Indirect

Indirect T5/T5HO

Type:

Project:

Suspended

7CRM1

INTEGRATED NLIGHT MICRO SENSOR

Determine the appropriate sensor type, network type and sensor power source for your application. Enter the code in the Options section of the Catalog Number.

EXAMPLE: PDT1

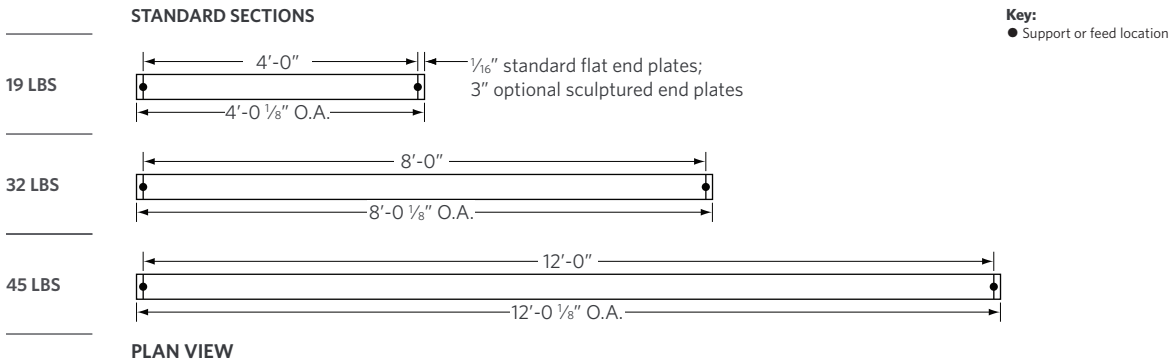
Sensor Type (choose one)	
ADC nLight model nES ADCX	Daylight Dimming Specify 0-10V dimming ballast No occupancy sensing
PDT nLight model nES PDT7 ADCX	Daylight Dimming and/or Occupancy Detection Specify 0-10v dimming ballast for daylight dimming Specify fixed-output ballast for occupancy detection only (daylight dimming disabled)

Network Type & Sensor Power Source (choose one)	
1*	nLight-Enabled (Network-Ready) with Luminaire-Integrated Power Pack 10' Cat-5e cable and splitter provided
2	Standalone Operation (No Networking) with Luminaire Integrated Power Pack No Cat-5e cable provided
3*	nLight-Enabled (Network-Ready) with Remote nLight Power Pack or nPanel 10' Cat-5e cable and splitter provided Order required remote nLight Power Pack or nPanel separately through nLight (Acuity Brands Controls)

For more information about the Integrated nLight Micro Sensor, its capabilities and options, download the PDF guide at: PeerlessLighting.com/nLight-Sensor-Guide
*nLight-Enabled (network-ready) options include one RJ-45 connector on the luminaire and 10' of Cat-5e cable and a splitter to control the entire luminaire row (depending on wattage/voltage limitations). The Cat-5e cable drop is located in the same section as the sensor. For multiple zones, please contact techsupport@peerlesslighting.com.

WEIGHTS & SUPPORT SPACING

Suspension spacing equals section length. Default location shown. Consult factory for stem mounting suspension spacing and alternate locations.

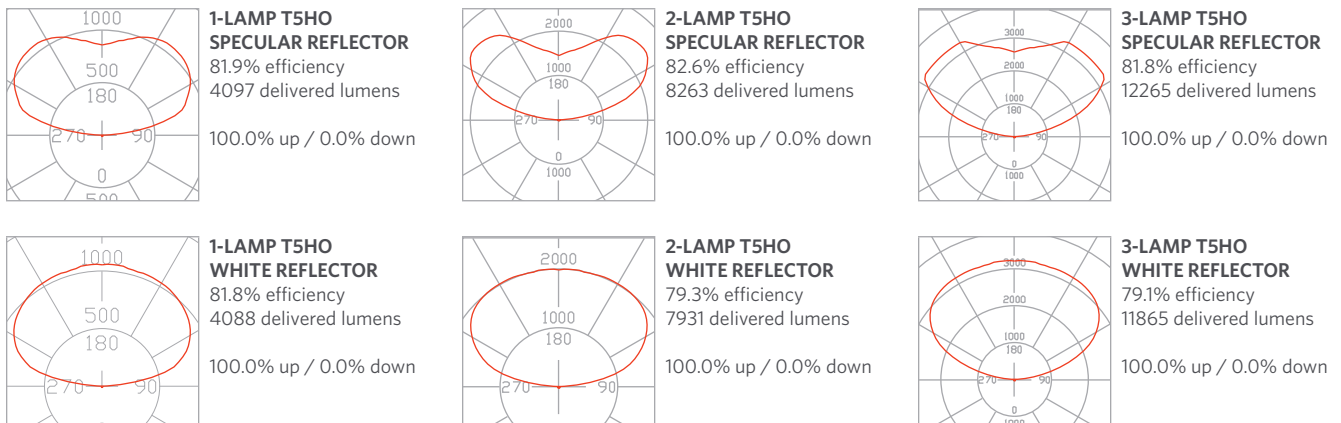


CONFIGURATIONS



Cast tenon corners, "T" and "X" connectors and tenons available for suspended configurations. Reference [Pattern Connector Guide](#) for additional details.

PHOTOMETRICS Actual performance may differ as a result of end-user environment and application.



2246 5th Street, Berkeley, CA 94710 • Tel: 510.845.2760 • Fax: 510.845.2776 • Email: techsupport@peerlesslighting.com • PeerlessLighting.com