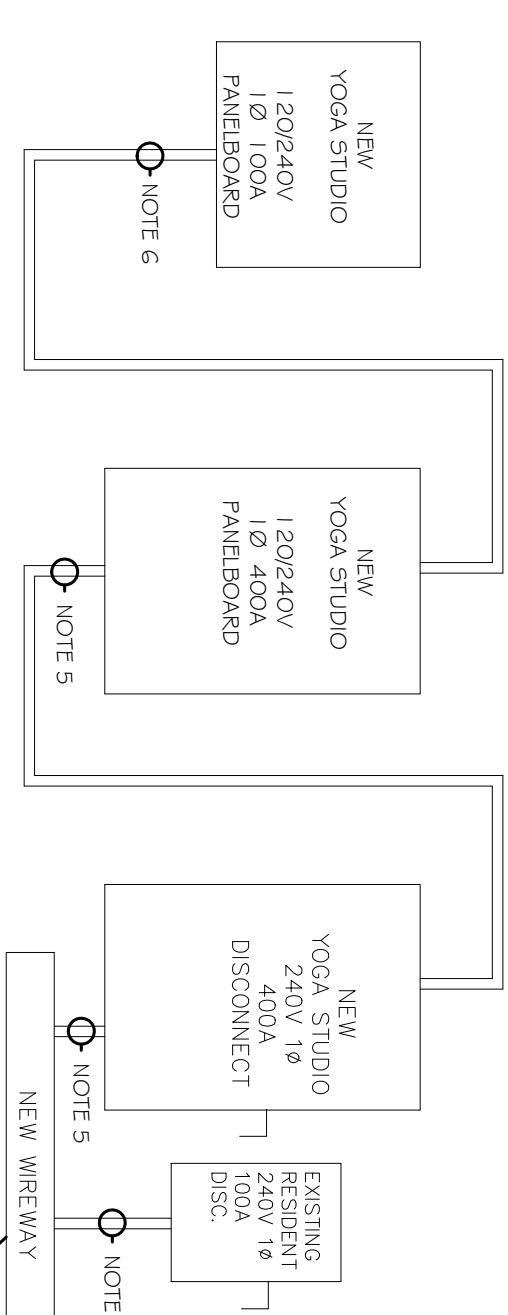


LIGHTING PLAN
SCALE: 1/4" = 1'-0"

Symbol	Label	Qty	Catalog Number	Description	Lamp	Watts
	A	1	Z I 54T5HO	Z STRIP FOR (1) 54W T5HO LAMP	ONE 54-WATT T5 LINEAR FLUORESCENT HO, HORIZONTAL/POS.	56.6
○	B	41	LCP with Acculamp	6" LED RECESSED DOWNLIGHT, 1500 LUMENS, 0.65 SPACING, 3500K CCT	Acculamp	18.8
□	C	3	ADDE	6TB 3 32 A1 2 1/3 PURPOSE TO TROFFER 2X4' 3 LP T8 #A1 2 LENS 1/3 ELEC	THREE 32-WATT T8 LINEAR FLUORESCENT.	88
○	D	23	UFGN Z12GDTT MWOLT FLDZ PF	6" LENSED DOWNLIGHT WITH DROP PRISMATIC PLASTIC LENS, PLASTIC FLANGE.	TWO 26-WATT DOUBLE TWIN TUBE COMPACT FLUORESCENT, HORIZONTAL POSITION.	62
	E	52	Z 2 54T5HO ASR	Z STRIP FOR (2) 54W T5HO LAMPS, ASYMMETRIC WHITE REFLECTOR	TWO 54-WATT T5 LINEAR FLUORESCENT HO, HORIZONTAL POS.	120.6
	F	40	INT	4" LED Undercabinet strip	LED	7.1
△	G	24	Con-Tech	Track Head	50 watt MR-16	50
	H	4	LITHONIA LIGHTING	4" WALL MOUNTED	32 WATT FLOURESCENT	32
●	J	8	BEGALUS NO. 2893P	EXIT LIGHTS WITH 90 MIN BACK-UP		100
⊗	K	3	PROVIDED BY OWNER	FAN PROV. BY OWNER		100
⊗	L	2	PROVIDED BY OWNER	PENDANT LIGHT		20
⊗	M	11	BEGALUS NO. 2893P	EMERGENCY EXIT LIGHT WITH 90 MIN BACK-UP		100
⊗	N	5	BEGALUS NO. 2893P	EXTERIOR LIGHT		32

NOTES:

- TO DRIVEN GROUND ROD SYSTEM & COLD WATER PIPE. BAND
- 2 EA. (2-500 KCMIL, 1-#2 STINGER, 1-500 KCMIL, N, 3" C).
- 2 EA. (2-500 KCMIL, 1-#2 STINGER, 1-500 KCMIL, N, 1-3"/0 GND, 4" C).
- NEW WIREWAY GATE PER CONNECTOR BLOCK MANUFACTURER'S INSTRUCTIONS.
- 2 EA. (2-4/0, 1-4/0 N, 1-#3 GND, 2" C).
- 1 EA. (2-#2, 1-#2 N, 1-#8 GND, 1-4" C).
- 1 EA. (2-4/0, 1-4/0 N, 1-#6 GND, 2-2" C).



RISE R DIAGRAM

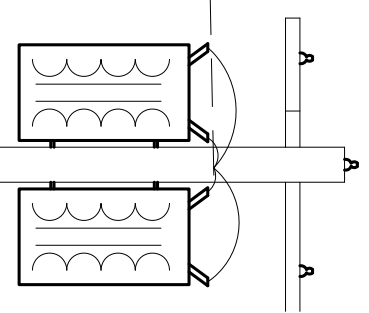
RISE R DIAGRAM

N.T.S.

WEA. 3" CONDUIT AND WEATHERHEAD, 214-4500 KCMIL THHN, 3" C).

STRAP CONDUITS IAW NEC.

NOTE: 911 ADDRESS SHALL BE A MINIMUM OF 3" LETTERING MARKED ON METER ENCLOSURE



#	DESCRIPTION	DATE
1	REVISED TO SHOW 1 Ø PHASE	9-4-2013

BIKRAM YOGA STUDIO
8338 OAK STREET
NEW ORLEANS, LA 70118

JOB No: 2175 DATE: 6-7-2013
DRAWN BY: JCT CHECKED BY: KJK



DAMMON ENGINEERING, INC.
Architects & Engineers

CHIEF ENGINEER: EMMETT DAMMON, P.E.
CHIEF ARCHITECT: KEVIN KINCHEN, NCARB
554 OLD SPANISH TRAIL
SLIDELL, LA 70458
dammonengineering.com
dammone@dammoneng.com
PHONE: 985-649-5832
FAX: 985-641-5950