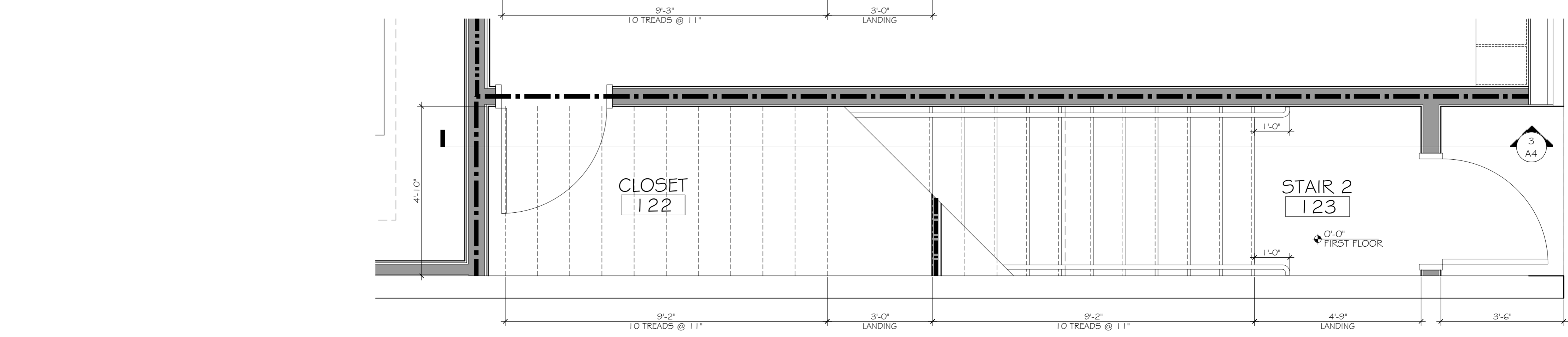
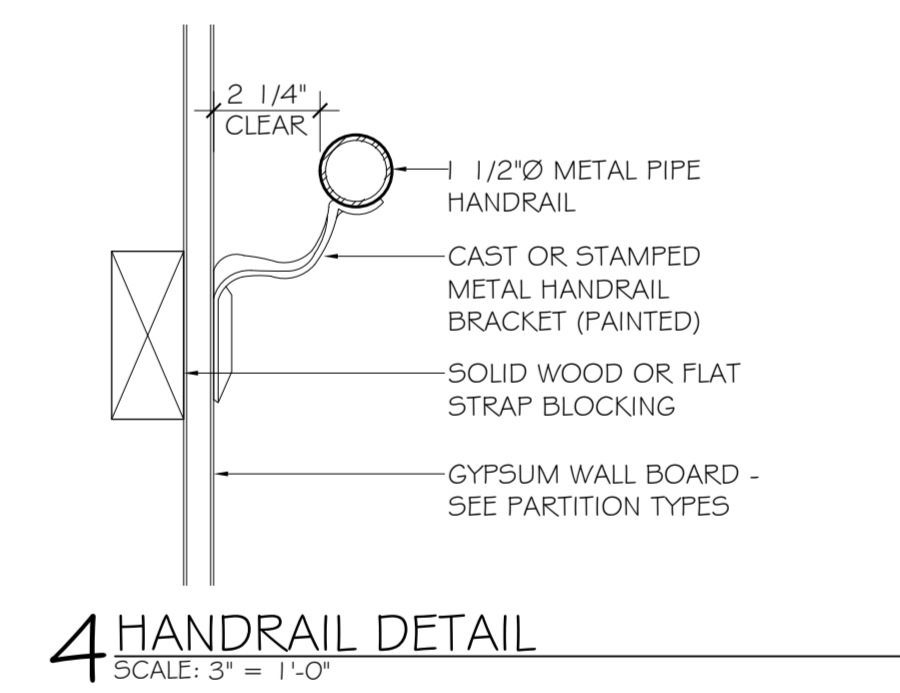
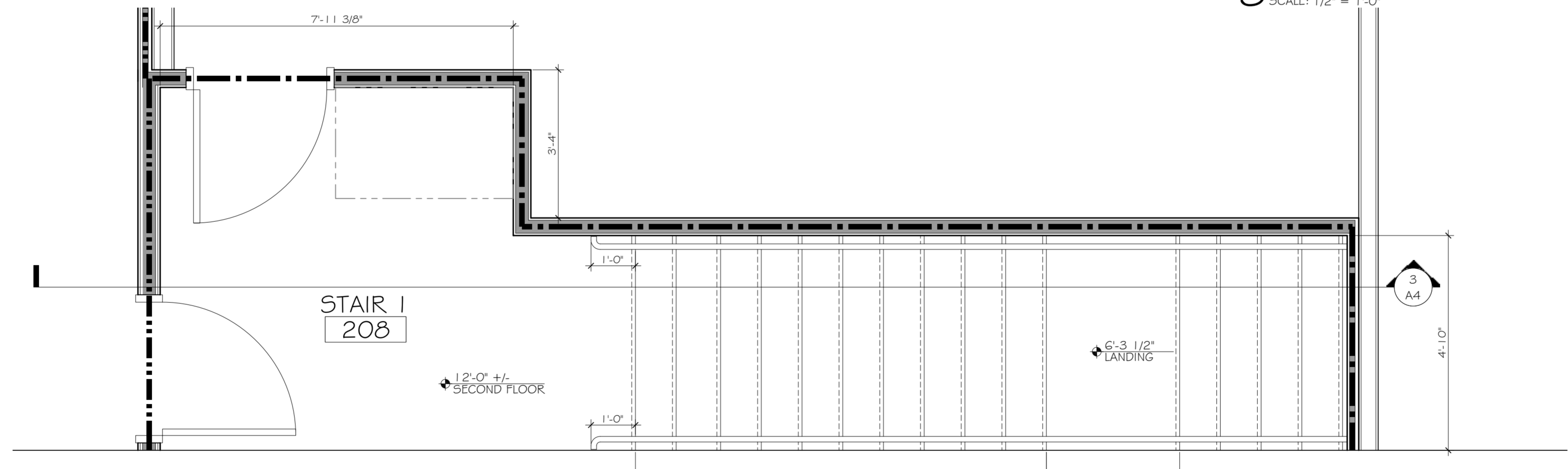


3 SECTION - STAIR 2
SCALE: 1/2" = 1'-0"



#	DESCRIPTION	REVISIONS	DATE