

Zip Pit™



Drawing Index

- I-1 Installation Drawing Index
- A-1 Plan Views.
- A-2 Section A-A.
- A-3 Sections B-B & C-C.
- A-4 Sections D-D & E-E and Drainpan.
- A-5 Pit End Assembly.
- S-1 Floor Slab Plan – with Lift.
- S-2 Floor Slab Plan – without Lift.
- 3-D 3D Vault & Conduit Chase
- P-1 Podium Location
- P-2 Post Detail
- W-1 Wiring Diagram
- W-2 Wiring Diagram
- X-1 Exploded View

NUM.	DATE	REVISION	BY

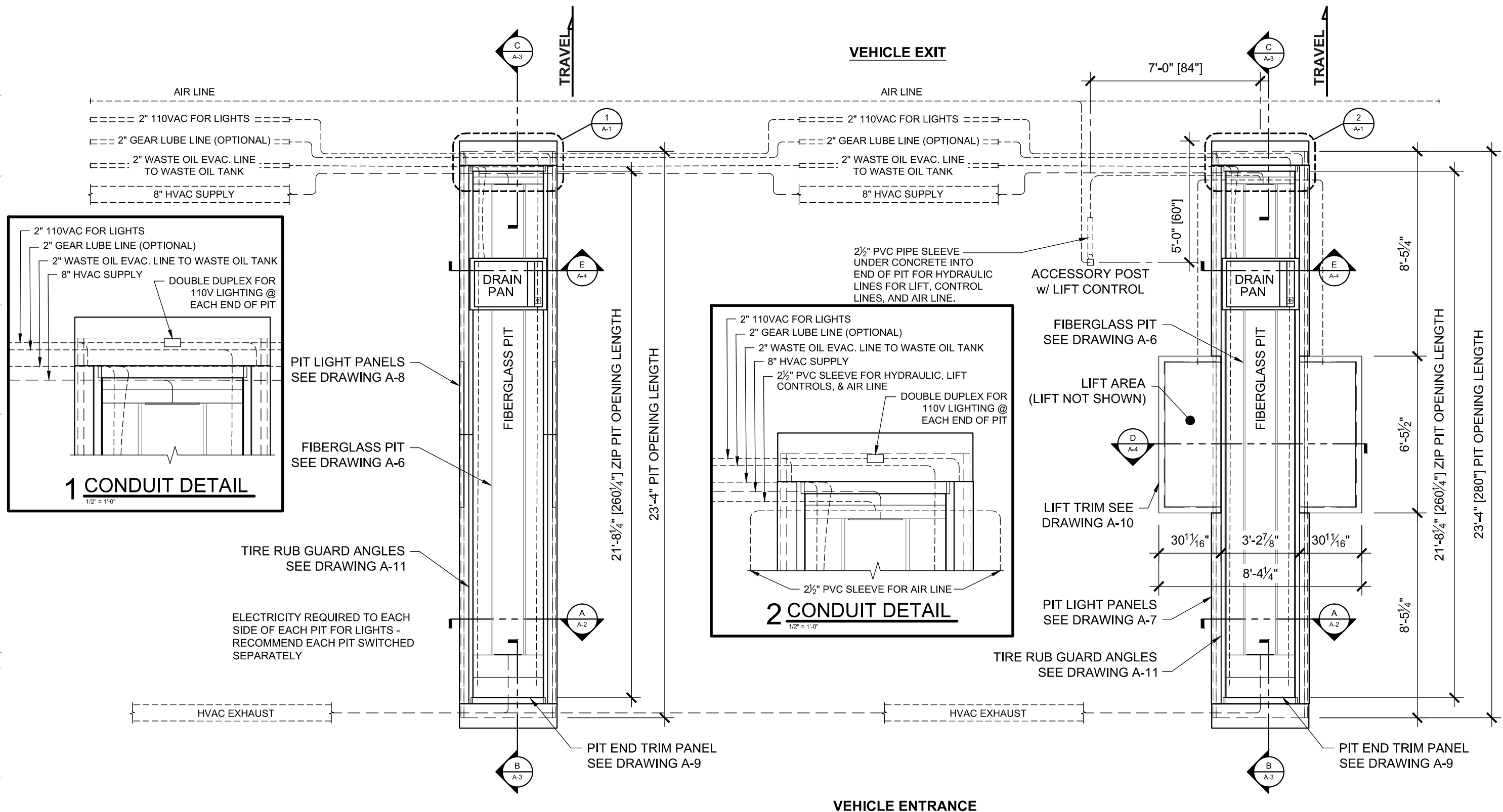
COPYRIGHT 2011, BLAZER INDUSTRIES, INC. & NEW CENTURY BUILDINGS.LLC. THIS MATERIAL IS THE EXCLUSIVE PROPERTY OF BLAZER INDUSTRIES, INC. AND SHALL NOT BE REPRODUCED, USED, OR DISCLOSED TO OTHERS EXCEPT AS AUTHORIZED BY THE WRITTEN PERMISSION OF BLAZER INDUSTRIES.

Single Zip Pit

Drawing Index Modulube® Zip Pit III Installation Details

Scale:	
Issue Date:	05-16-12
Drawn By:	NJP

Drawings\Pump Stations- Equipment Shelters- Guard Houses\ZIP PIT DWGS\UPDATED PLANS\ZIP PIT III\ZIP PIT III Single-FEV

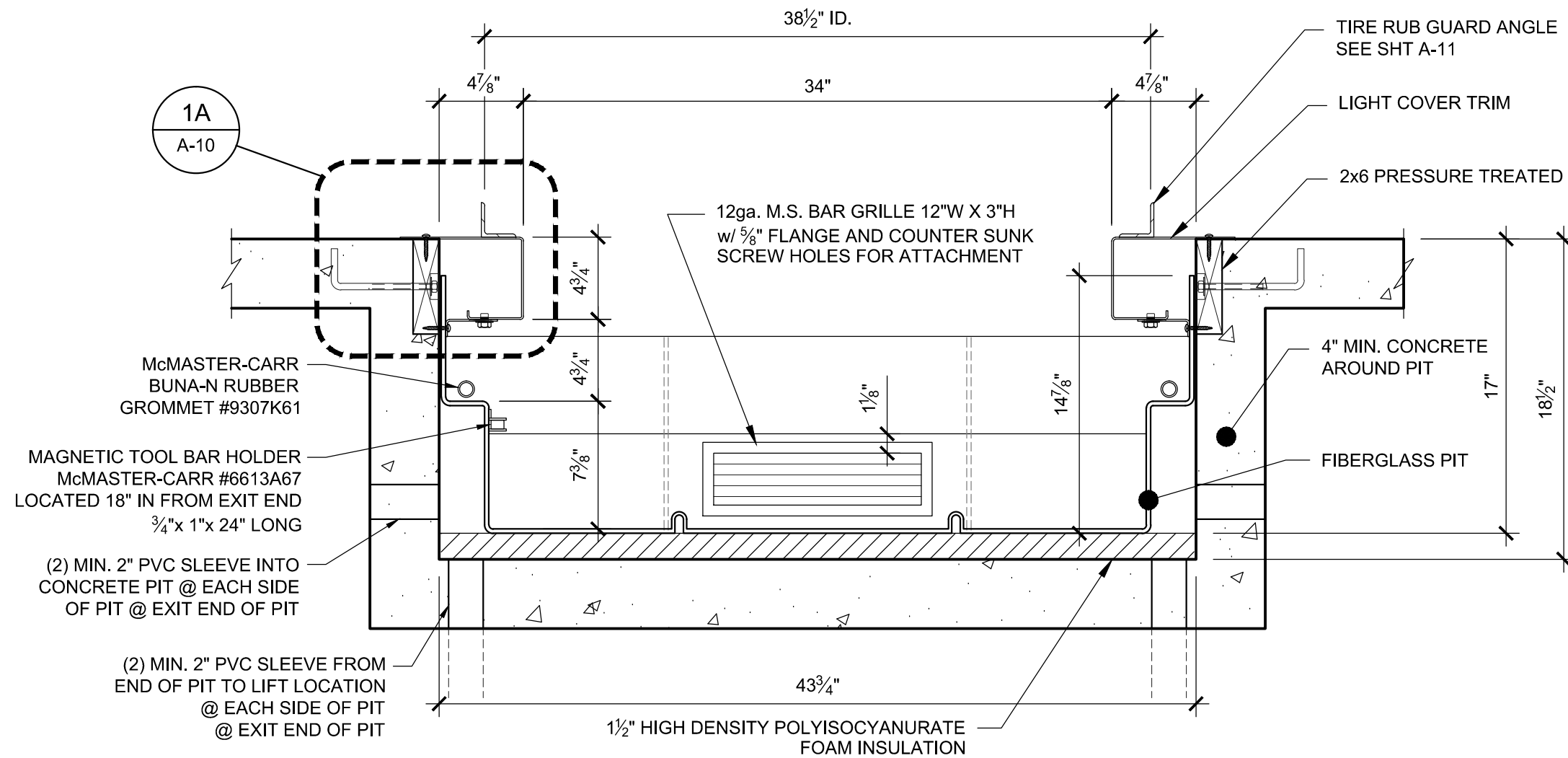


NUM.	DATE	REVISION	BY
7-31-12		INCREASE LIFT TRIM TO 2x3	NJP

COPYRIGHT 2011, BLAZER INDUSTRIES, INC. & NEW CENTURY BUILDINGS.LLC. THIS MATERIAL IS THE EXCLUSIVE PROPERTY OF BLAZER INDUSTRIES, INC. AND SHALL NOT BE REPRODUCED, USED, OR DISCLOSED TO OTHERS EXCEPT AS AUTHORIZED BY THE WRITTEN PERMISSION OF BLAZER INDUSTRIES.

Single Zip Pit **Zip Pit Floor Plans**
Modulube® Zip Pit III Installation Details

Scale:	
Issue Date:	07-31-12
Drawn By:	NJP



SECTION A

1 1/2" = 1'-0"

NO.	DATE	REVISION	BY

COPYRIGHT 2011, BLAZER INDUSTRIES, INC. & NEW CENTURY BUILDINGS.LLC. THIS MATERIAL IS THE EXCLUSIVE PROPERTY OF BLAZER INDUSTRIES, INC. AND SHALL NOT BE REPRODUCED, USED, OR DISCLOSED TO OTHERS EXCEPT AS AUTHORIZED BY THE WRITTEN PERMISSION OF BLAZER INDUSTRIES.

Single Zip Pit

Typical Section

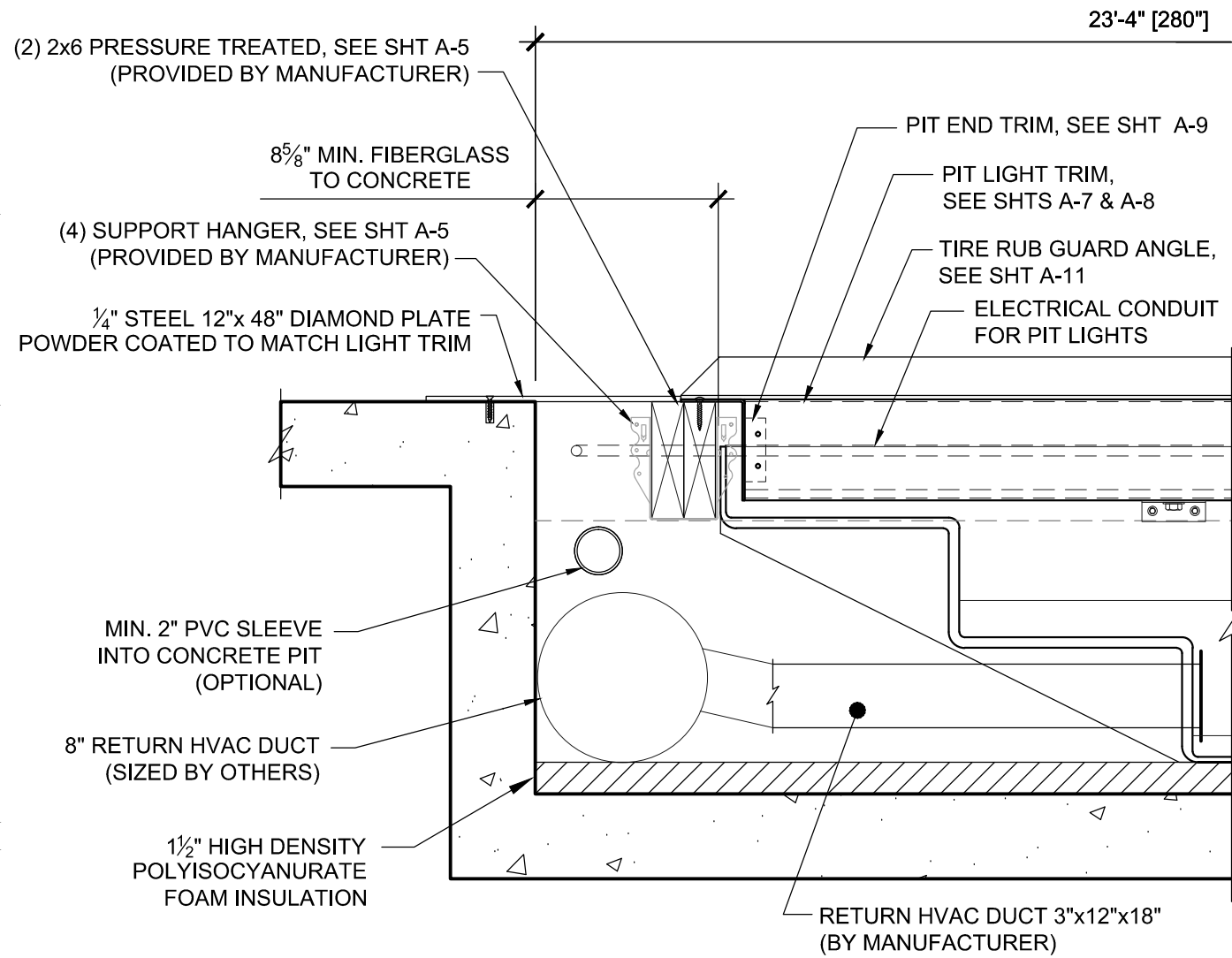
Modulube® Zip Pit III Installation Details

Scale:	
Issue Date:	02-27-12
Drawn By:	NJP

A-2

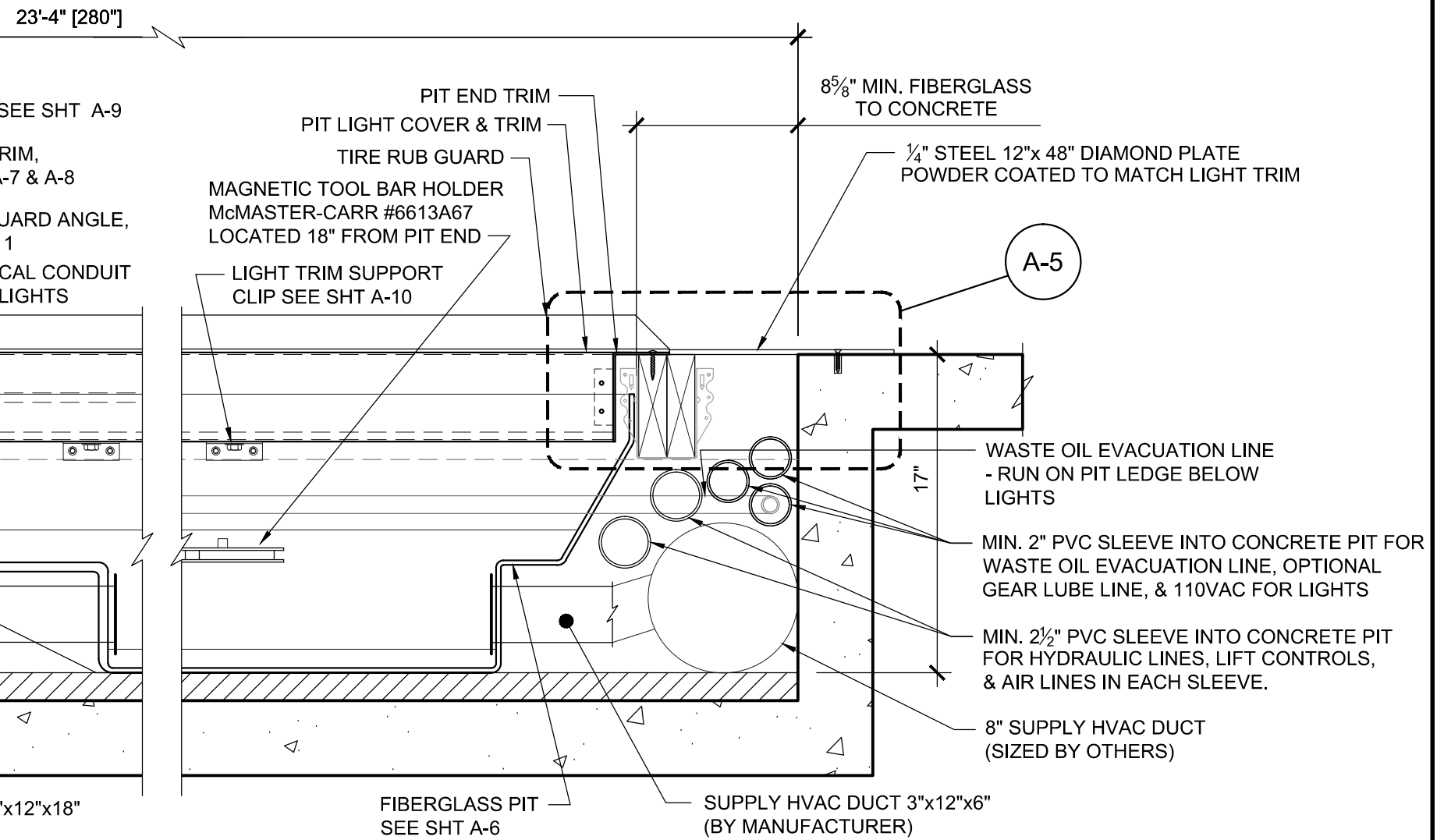
Rev

Drawings\Pump Stations-Equipment Shelters-Guard Houses\ZIP PIT DWGS\UPDATED PLANS\ZIP PIT III\ZIP PIT III Single-REV



SECTION B

1 1/2" = 1'-0"



SECTION C

1 1/2" = 1'-0"

NO.	DATE	REVISION	BY

COPYRIGHT 2011, BLAZER INDUSTRIES, INC. & NEW CENTURY BUILDINGS.LLC. THIS MATERIAL IS THE EXCLUSIVE PROPERTY OF BLAZER INDUSTRIES, INC. AND SHALL NOT BE REPRODUCED, USED, OR DISCLOSED TO OTHERS EXCEPT AS AUTHORIZED BY THE WRITTEN PERMISSION OF BLAZER INDUSTRIES.

Single Zip Pit

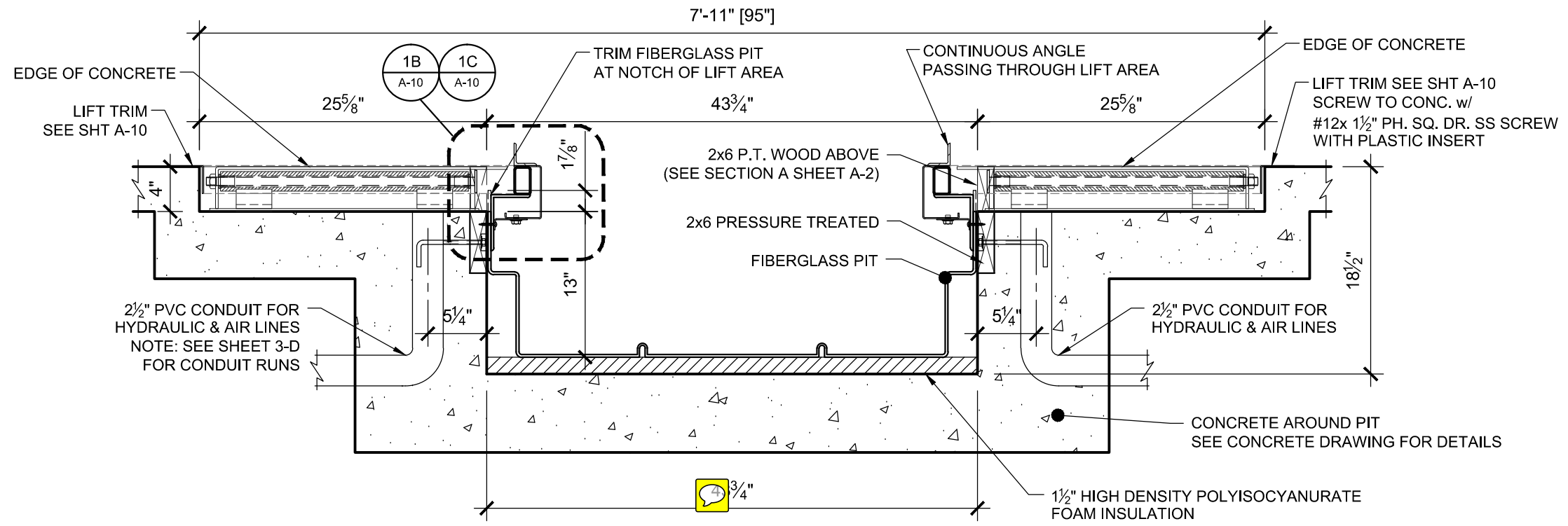
Longitudinal Sections @ Pit Ends
Modulube® Zip Pit III Installation Details

Scale:	
Issue Date:	02-27-12
Drawn By:	NJP

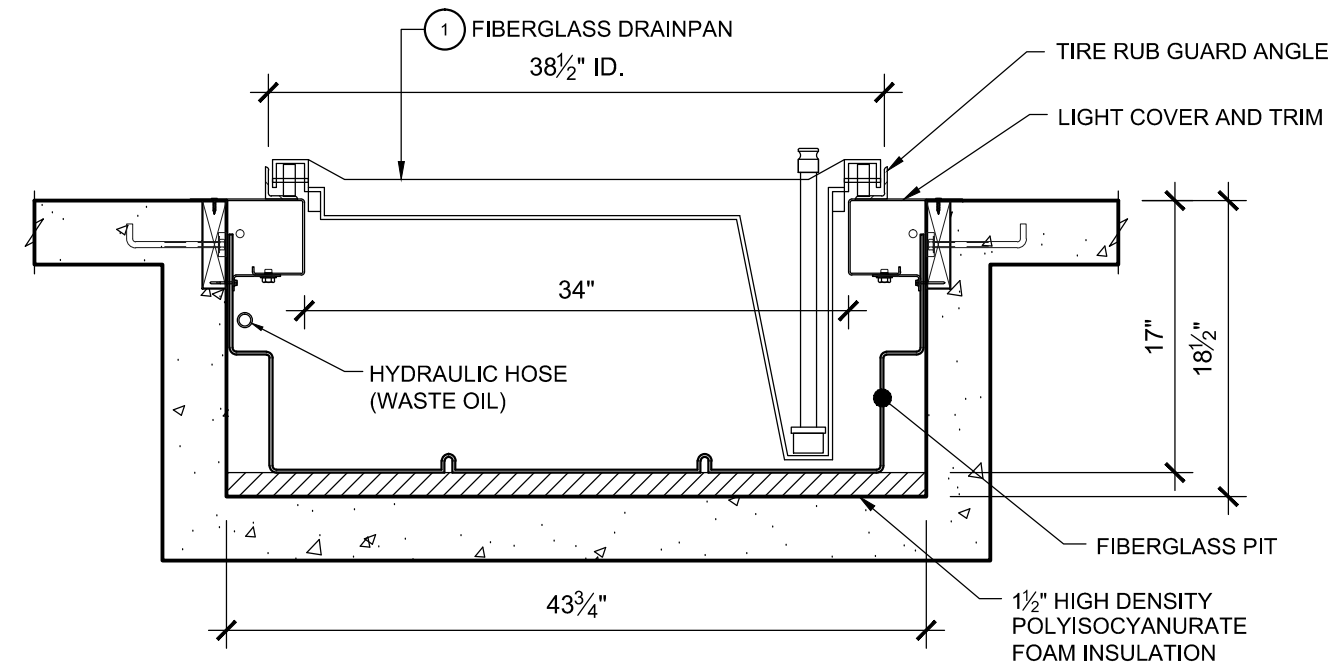
A-3

Rev

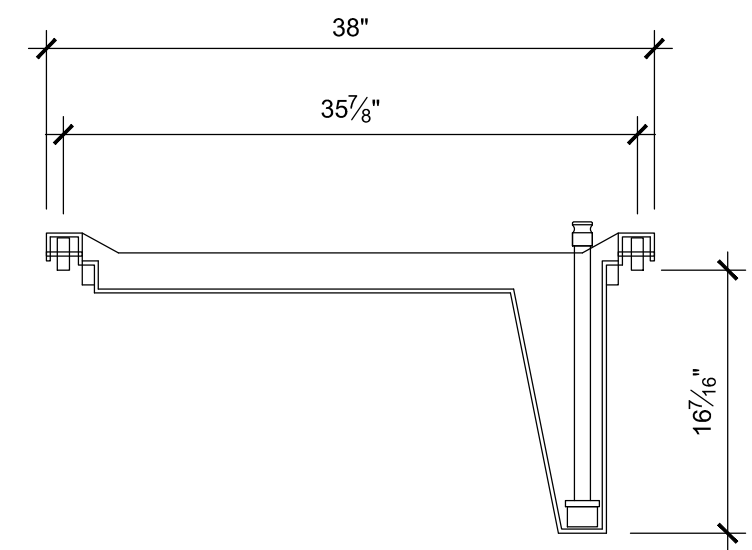
Drawings\Pump Stations- Equipment Shelters- Guard Houses\ZIP PIT DWGS\UPDATED PLANS\ZIP PIT III\ZIP PIT III Single-REV



SECTION D
SCALE: 1" = 1'-0"



SECTION E
SCALE: 1" = 1'-0"



1 DRAINPAN
SCALE: 1" = 1'-0"

NUM.	DATE	REVISION	BY
	7-31-12	INCREASE LIFT TRIM TO 2x3	NJP

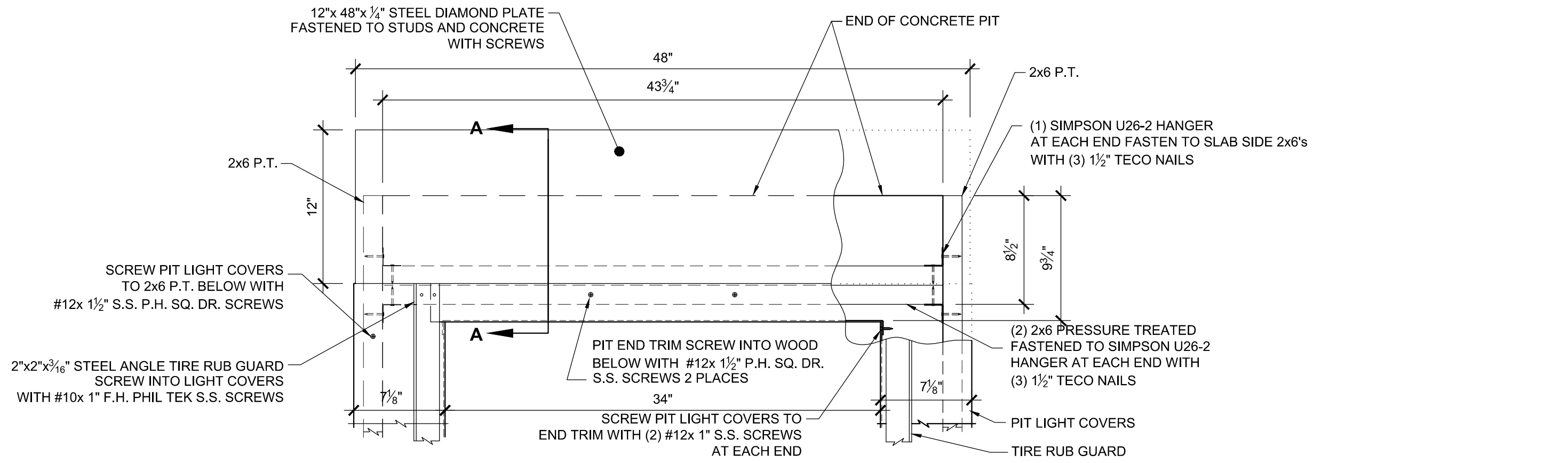
COPYRIGHT 2011, BLAZER INDUSTRIES, INC. & NEW CENTURY BUILDINGS.LLC. THIS MATERIAL IS THE EXCLUSIVE PROPERTY OF BLAZER INDUSTRIES, INC. AND SHALL NOT BE REPRODUCED, USED, OR DISCLOSED TO OTHERS EXCEPT AS AUTHORIZED BY THE WRITTEN PERMISSION OF BLAZER INDUSTRIES.

Single Zip Pit

Section thru Lift Area
Modulube® Zip Pit III Installation Details

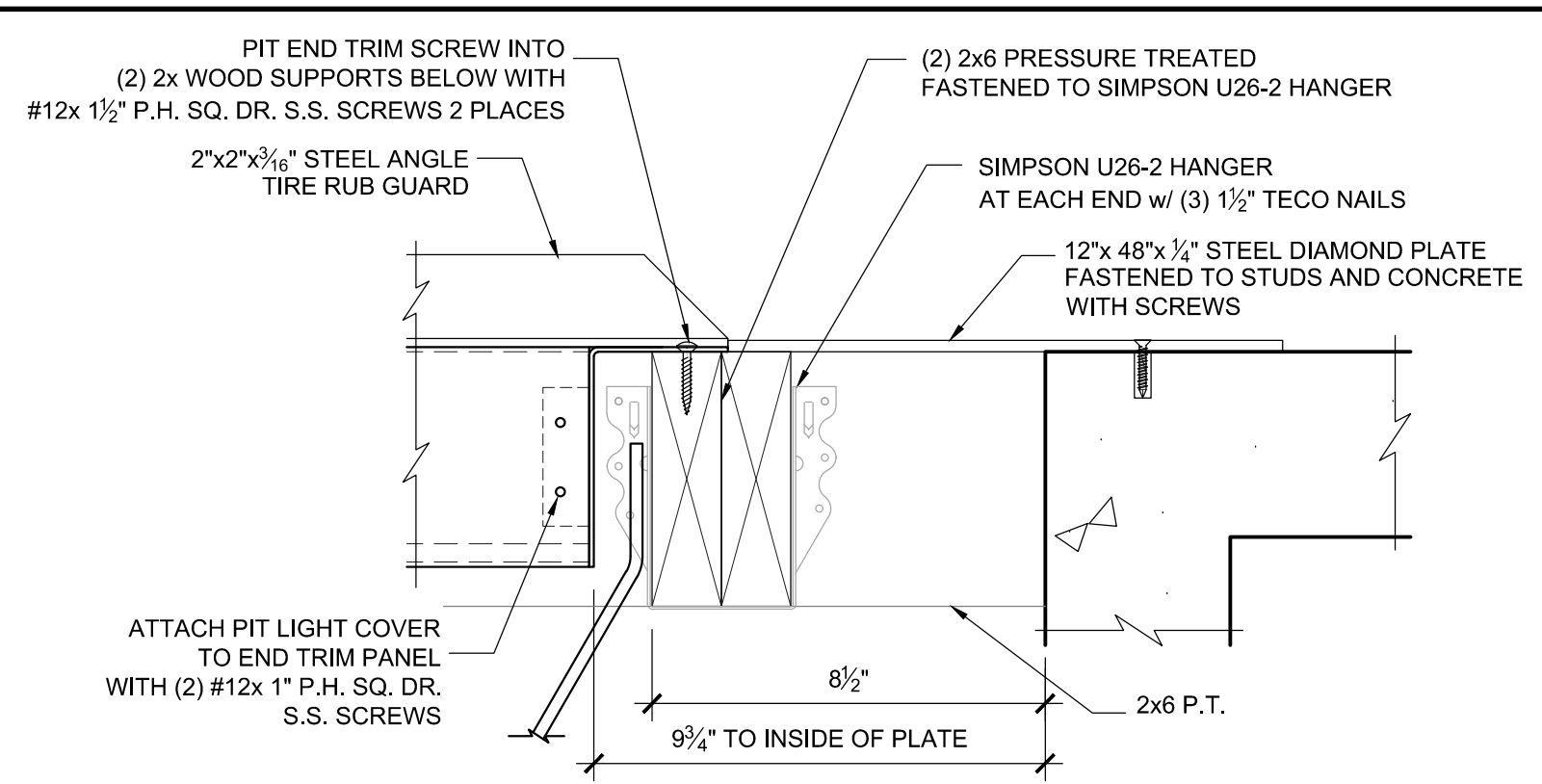
Scale:	
Issue Date:	07-31-12
Drawn By:	NJP

Drawings\Pump Stations- Equipment Shelters- Guard Houses\ZIP PIT III\ZIP PIT III Single-REV



PIT END ASSEMBLY PLAN VIEW

SCALE: 1 1/2"=1'-0"



PIT END SECTION A-A

SCALE: 3"=1'-0"

NDM.	DATE	REVISION	BY

COPYRIGHT 2011, BLAZER INDUSTRIES, INC. & NEW CENTURY BUILDINGS.LLC. THIS MATERIAL IS THE EXCLUSIVE PROPERTY OF BLAZER INDUSTRIES, INC. AND SHALL NOT BE REPRODUCED, USED, OR DISCLOSED TO OTHERS EXCEPT AS AUTHORIZED BY THE WRITTEN PERMISSION OF BLAZER INDUSTRIES.

Single Zip Pit

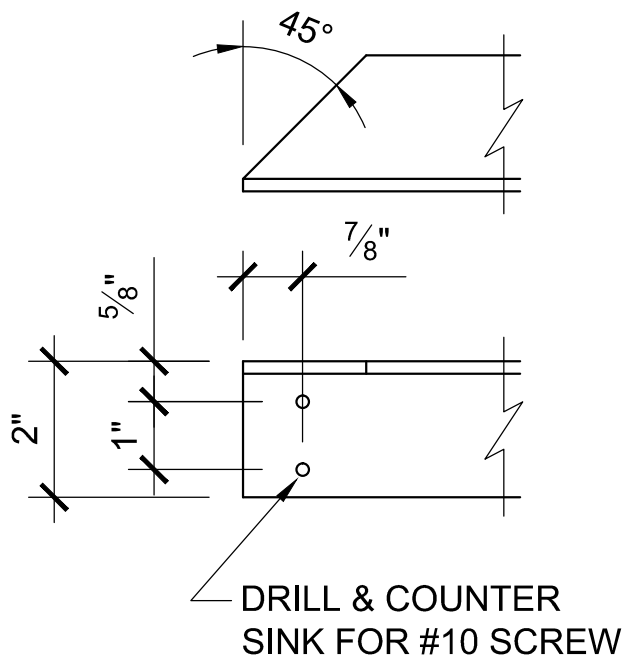
Pit End Assembly Details
Modulube® Zip Pit III Installation Details

Scale:	
Issue Date:	02-27-12
Drawn By:	NJP

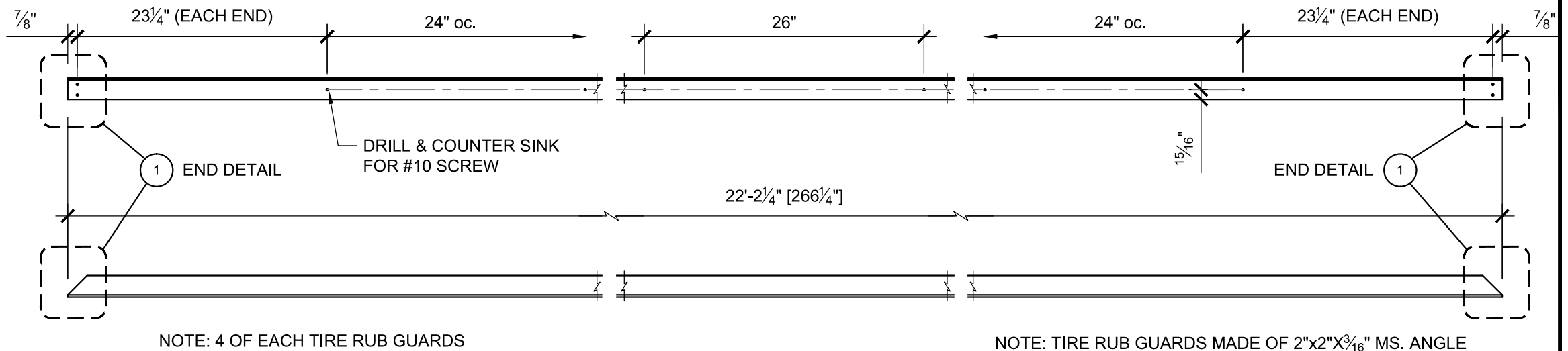
A-5

Rev

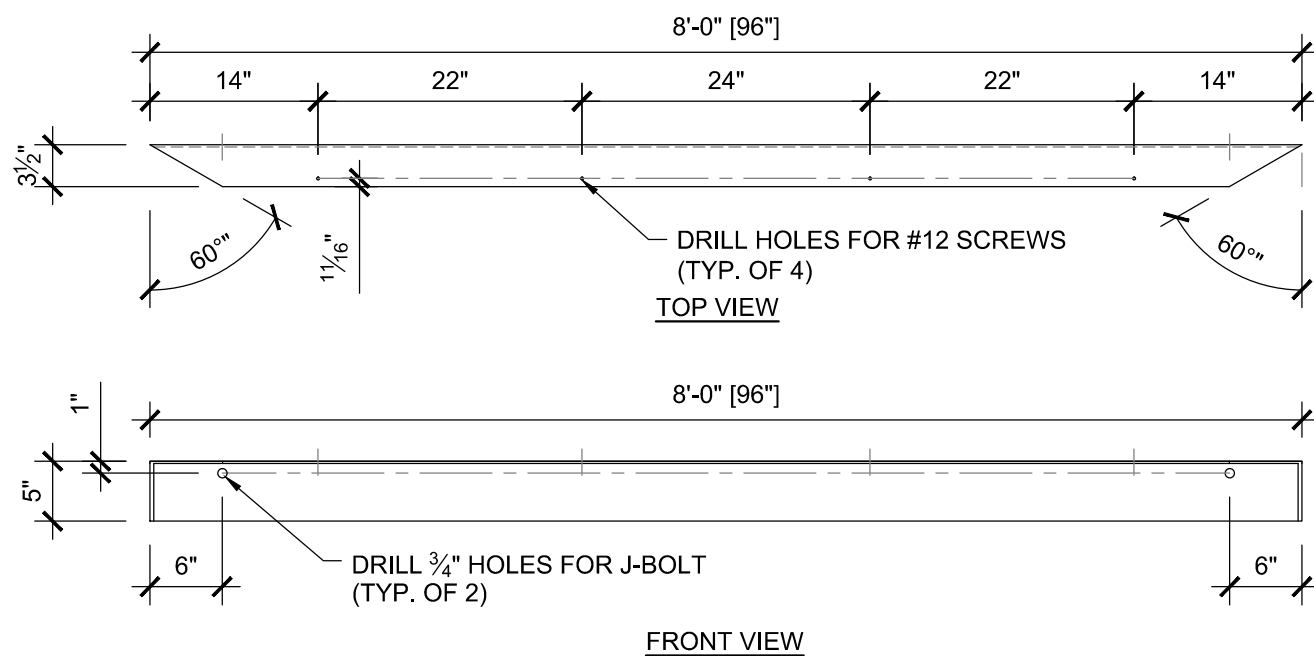
Drawings\Pump Stations- Equipment Shelters- Guard Houses\ZIP PIT DWGS\UPDATED PLANS\ZIP PIT III Single-REV



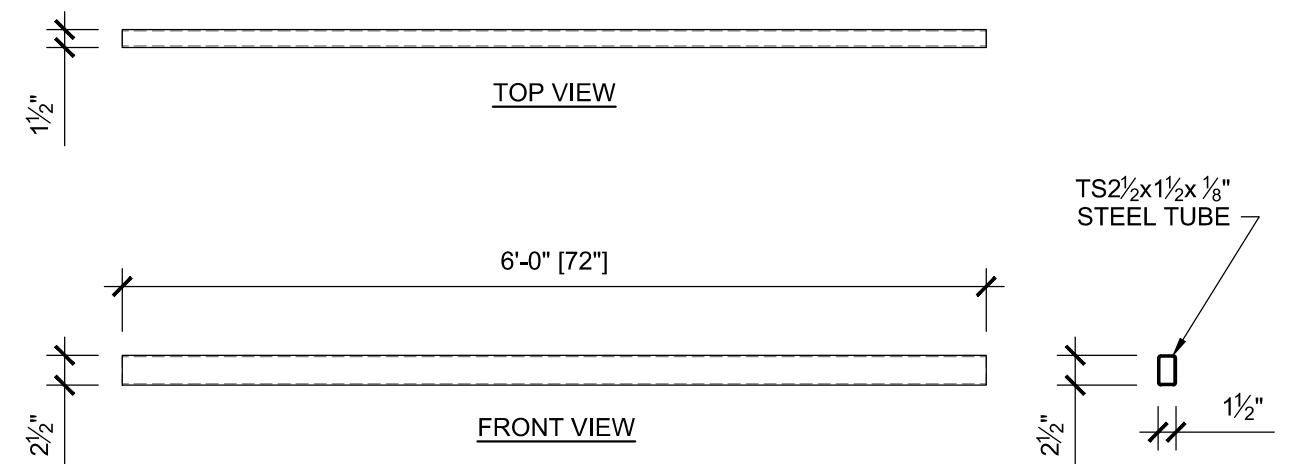
1 TYP. END DETAIL
SCALE: 3"=1'-0"



TIRE RUB GUARD
SCALE: 1"=1'-0"



LIGHT TRIM ANGLE @ LIFT
SCALE: 3/4"=1'-0"



LIGHT TRIM TUBE @ LIFT
SCALE: 3/4"=1'-0"

NO.	DATE	REVISION	BY

COPYRIGHT 2011, BLAZER INDUSTRIES, INC. & NEW CENTURY BUILDINGS.LLC. THIS MATERIAL IS THE EXCLUSIVE PROPERTY OF BLAZER INDUSTRIES, INC. AND SHALL NOT BE REPRODUCED, USED, OR DISCLOSED TO OTHERS EXCEPT AS AUTHORIZED BY THE WRITTEN PERMISSION OF BLAZER INDUSTRIES.

Single Zip Pit

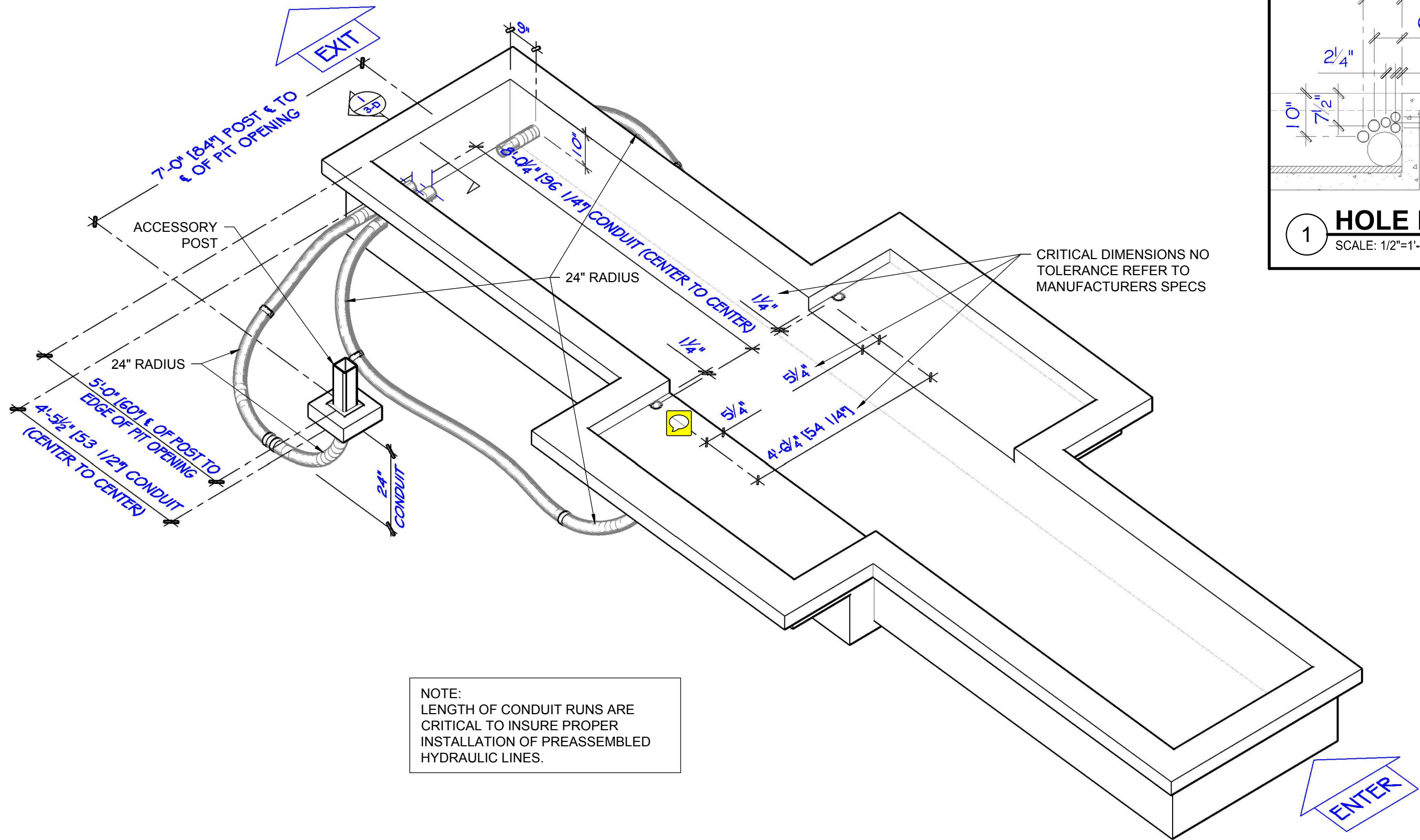
Angle Details

Modulube Zip Pit III Fabrication Details

Scale:	
Issue Date:	02-27-12
Drawn By:	NJP

A-11

Rev



CONDUIT CHASE

1/2"=1'-0"

NUM.	DATE	REVISION	BY

COPYRIGHT 2011, BLAZER INDUSTRIES, INC. & NEW CENTURY BUILDINGS.LLC. THIS MATERIAL IS THE EXCLUSIVE PROPERTY OF BLAZER INDUSTRIES, INC. AND SHALL NOT BE REPRODUCED, USED, OR DISCLOSED TO OTHERS EXCEPT AS AUTHORIZED BY THE WRITTEN PERMISSION OF BLAZER INDUSTRIES.

Single Zip Pit

3-D VAULT & CONDUIT CHASE

Modulube® Zip Pit III Installation Details

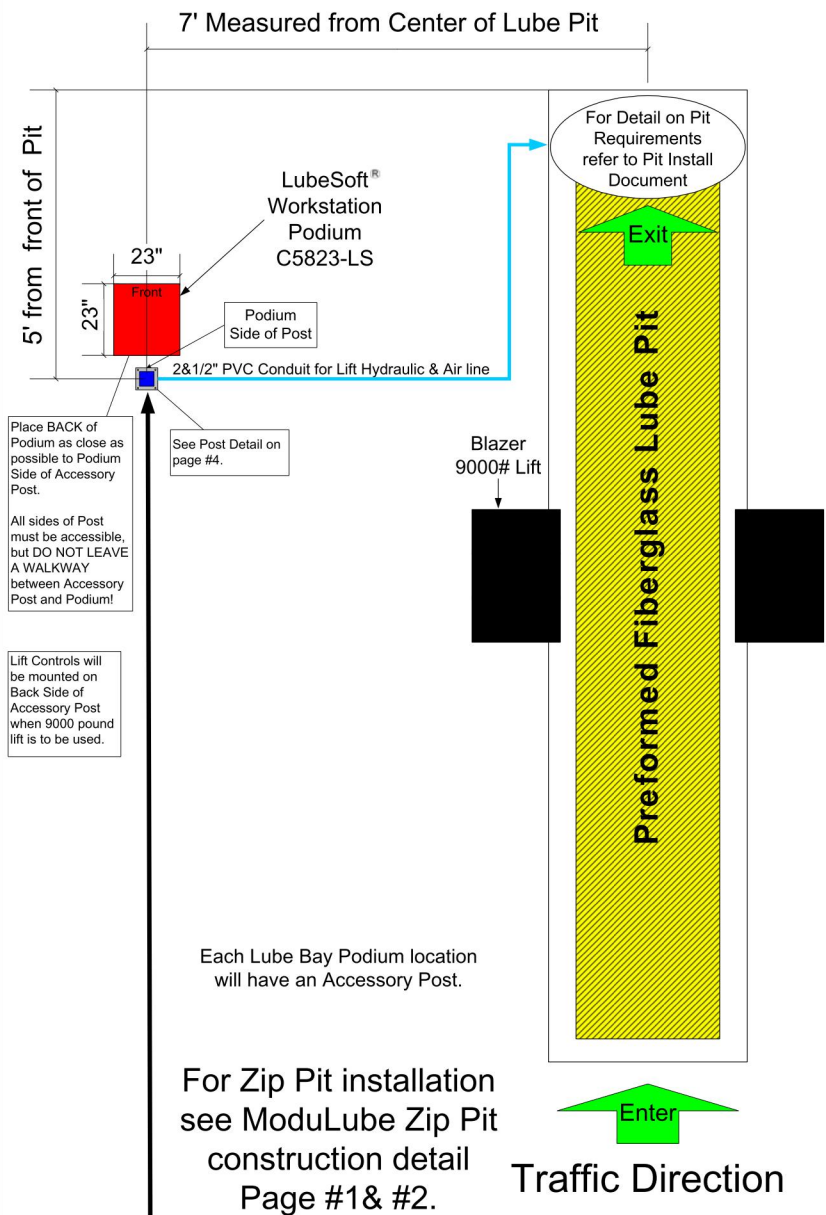
Scale:	
Issue Date:	02-27-12
Drawn By:	NJP

3-D

Rev

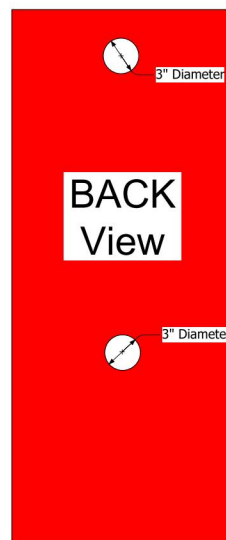
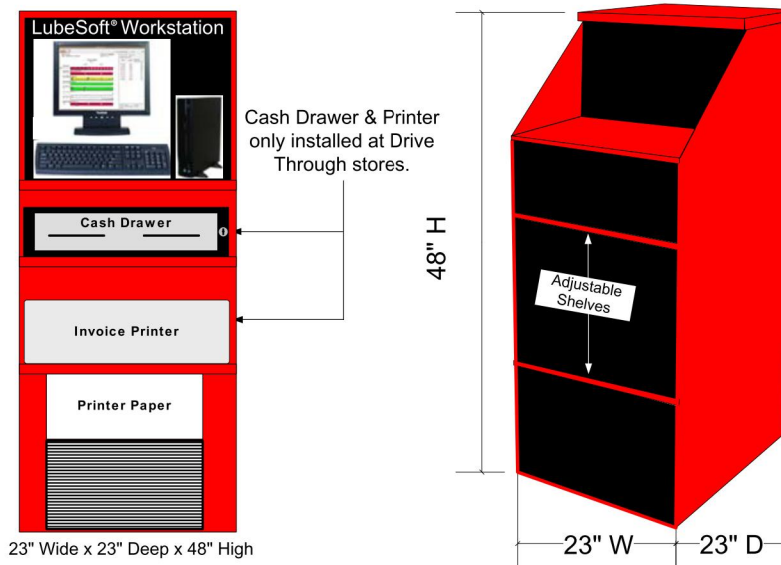
LubeSoft® Podium Location Page #3

Podium & Accessory Post Location Detail



POS Podium C5823-LS

FRONT View



Power cable entry is through back of podium via 3" access hole.

Notes:

Power for all workstation equipment is provided from one of two power strips located in base of podium.

Orange Power strip is to be plugged into 120VAC Dedicated Circuit with Isolated ground (Orange) outlet.

Beige Power strip is to be plugged into 120VAC Non-Dedicated (Beige) outlet.

Both power strips are to be placed into the base of the podium. Cables for each strip should be run through access hole in back of podium to the correct 120VAC outlet.

ONLY the Display, CPU and Print servers should be plugged in to the Orange Dedicated Circuit power strip!

All other devices requiring 120VAC power are to be plugged in to the Beige Non-Dedicated power strip.

The back of the podium should be placed as close as possible to the Accessory Post.

Actual Installation Picture



Zip Pit with Lift

New Century Buildings, LLC



For:	ModuLube® Pit Construction Detail	
Page#:	3 of 6	Drawing Date: 6/17/2011
File:	Plotter_modulube_pit_construction_details_all.vsd	

COPYRIGHT 2011, BLAZER INDUSTRIES, INC. & NEW CENTURY BUILDINGS, LLC. THIS MATERIAL IS THE EXCLUSIVE PROPERTY OF BLAZER INDUSTRIES, INC. AND SHALL NOT BE REPRODUCED, USED, OR DISCLOSED TO OTHERS EXCEPT AS AUTHORIZED BY THE WRITTEN PERMISSION OF BLAZER INDUSTRIES.

Single Zip Pit

PODIUM LOCATION

Modulube® Zip Pit III Installation Details

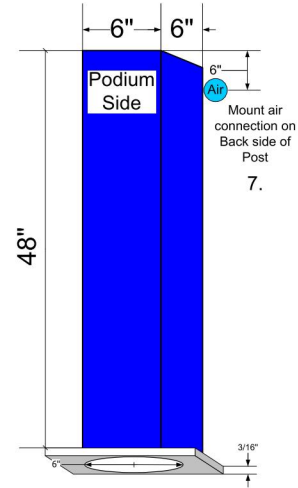
Scale:	
Issue Date:	02-27-12
Drawn By:	NJP

P-1

Rev

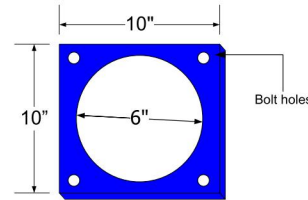
ModuLube[®] Accessory Post Detail Page #4

Accessory Post Detail



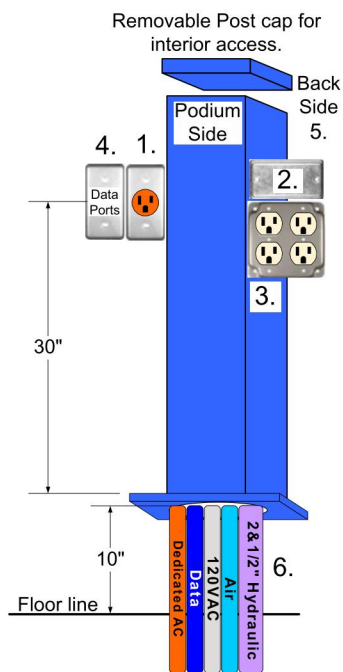
Post is 6" x 6" square 3/16" steel construction.
 Top has a removable cap for interior access.
 Base is 10" x 10" welded 3/16" with a 6" round access hole. Bolt holes are provided for in base plate for bolting Post to floor.

Accessory Post Base-Plate Detail



Notes:

1. **Single Outlet** 120VAC x 20 Amp Dedicated Circuit with Isolated Ground.
 2. 240VAC x 20AMP single phase hard wired circuit for 9000lb lift above #3.
 3. 120VAC x 20 Amp Non-Dedicated 4 gang box for general use.
 4. Data Port box Dedicated Power Outlets on either side of Post.
 5. **DO NOT mount any electrical boxes on Podium or Back side of Accessory Post.**
 6. All electrical and fluid lines to be encased in conduit or PVC Sleeves. See Note #1 on page #1.
 7. Air connection 6" from top of Post on Back (Lift control) side.
- 9000 pound lift controls will be mounted to to BACK of Accessory Post when lift is purchased. Connect the two hydraulic lines to Lift Control.
 - Podium side & Back of Accessory Post must be accessible for equipment mounting as needed.
 - Back of podium must be positioned as closely as possible to Podium Side of Accessory Post.
 - DO NOT leave a WALKWAY between the Accessory Post and the back of the Podium!



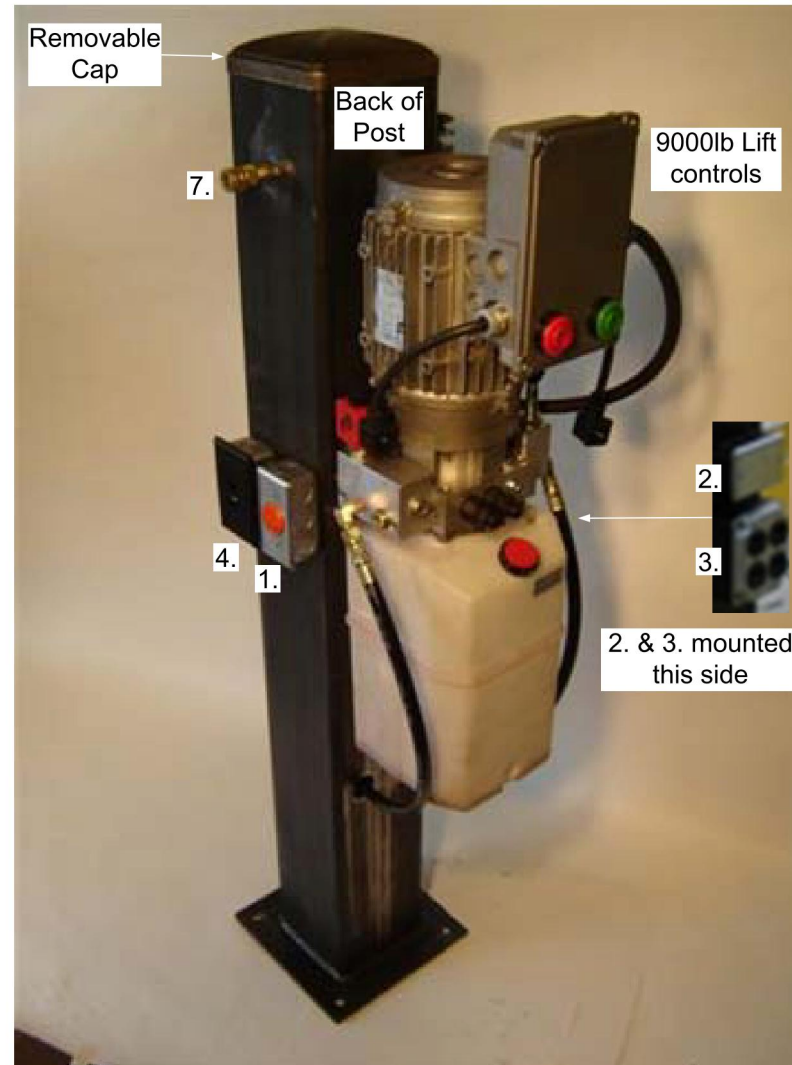
Conduit entry is through bottom of post.

Use flexible conduit to back of electrical boxes. Before mounting Post, drop flex; feed wires, then attach flex to conduit.

Data Cabling MUST be in a separate conduit. Data cabling must not be placed in ANY conduit containing ANY AC circuit!

Actual Installation Picture

Accessory Post with Lift Controls



Actual Installation Picture

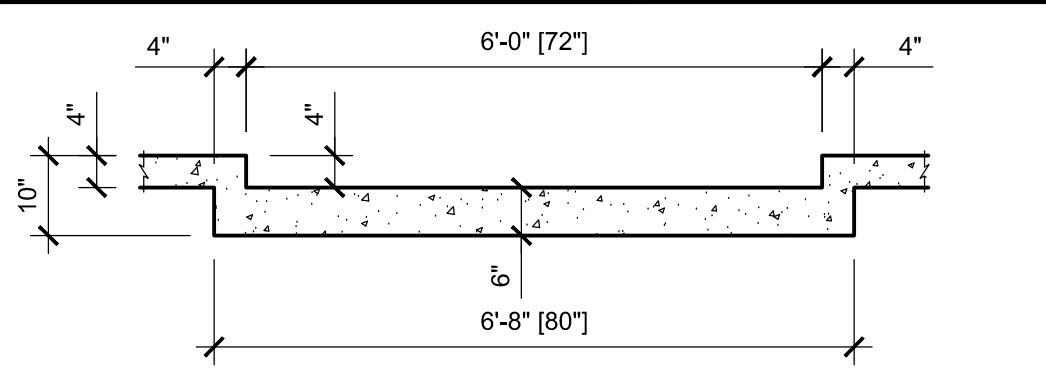
Accessory Post



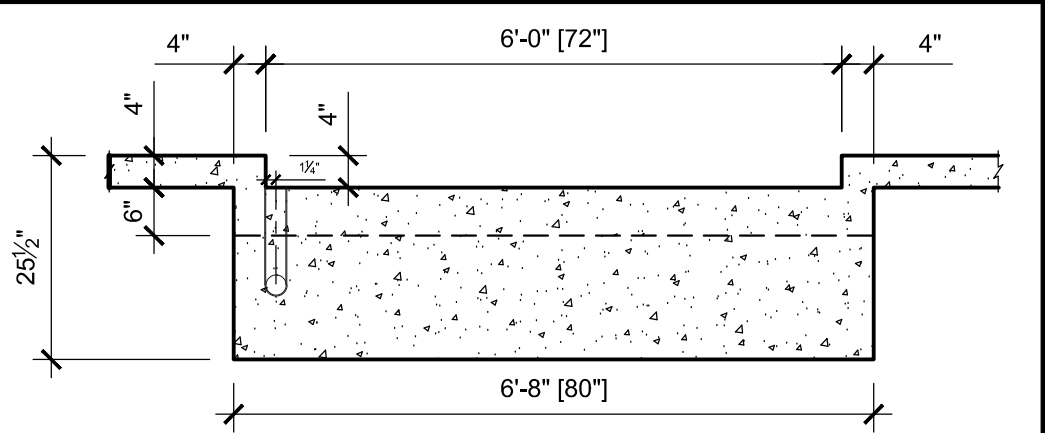
New Century Buildings, LLC		
For: _____		
ModuLube [®] Accessory Post Detail		
Page#: 4 of 6	Drawing Date: 6/17/2011	
File: Plotter_modulube_pit_construction_details_all.vsd		

NUM.	DATE	REVISION	BY

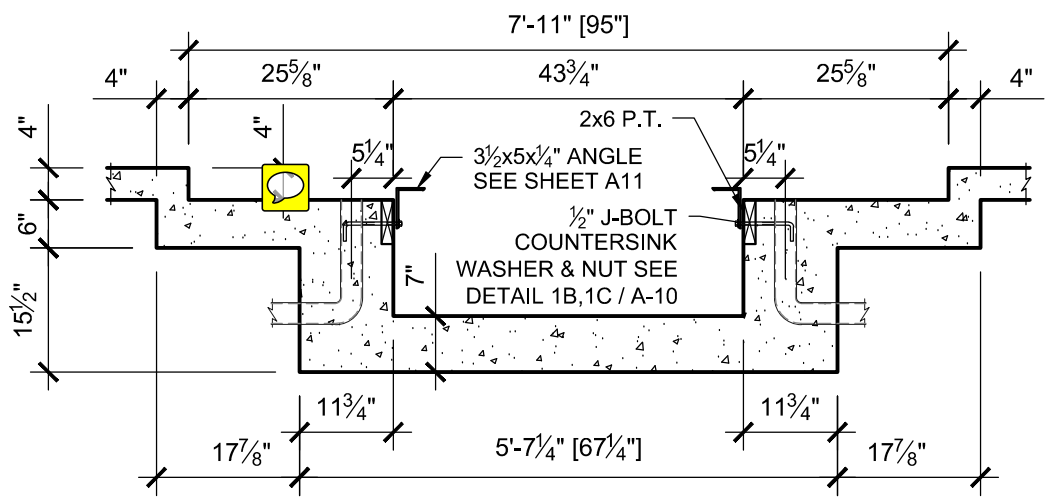
Drawings\Pump Stations- Equipment Shelters- Guard Houses\ZIP PIT DWGS\UPDATED PLANS\ZIP PIT III Single-REV



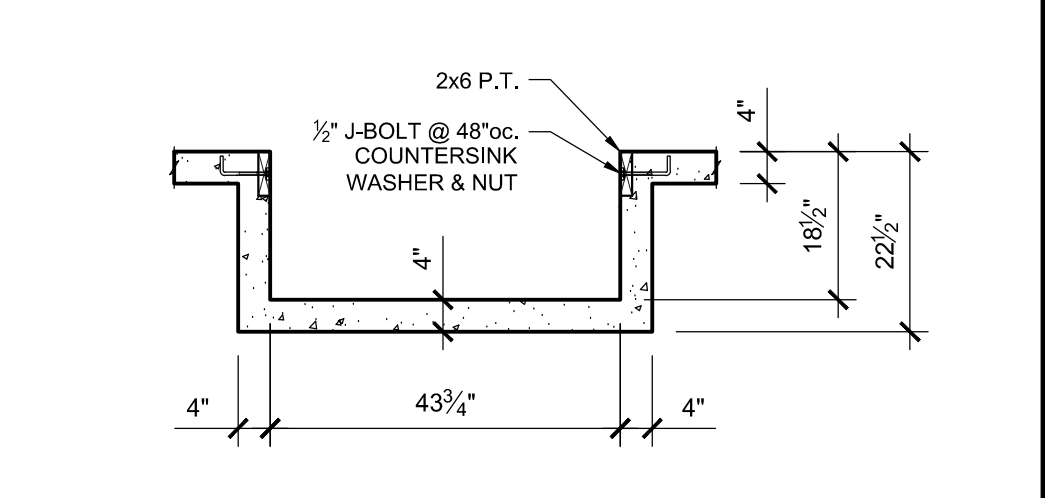
A SECTION A
1/2" = 1'-0"



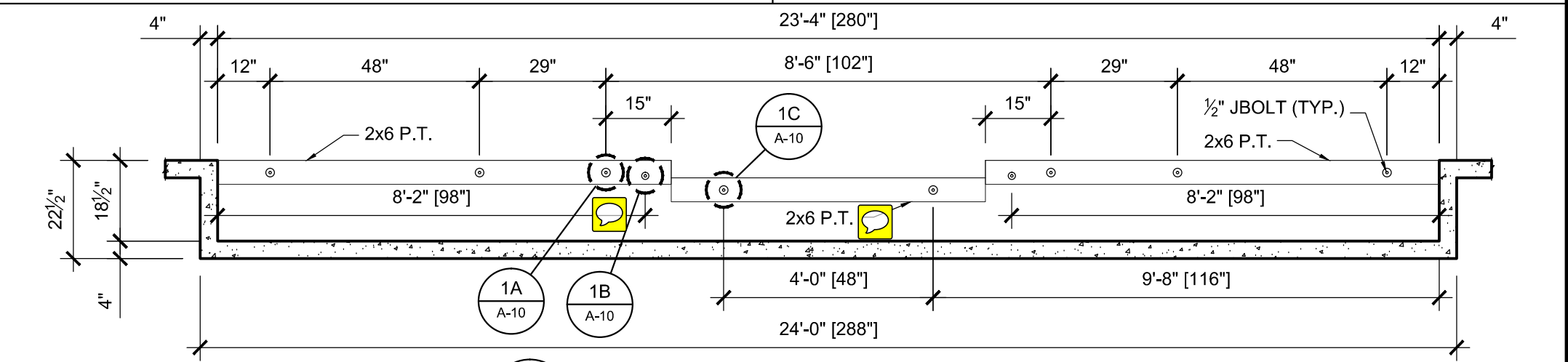
B SECTION B
1/2" = 1'-0"



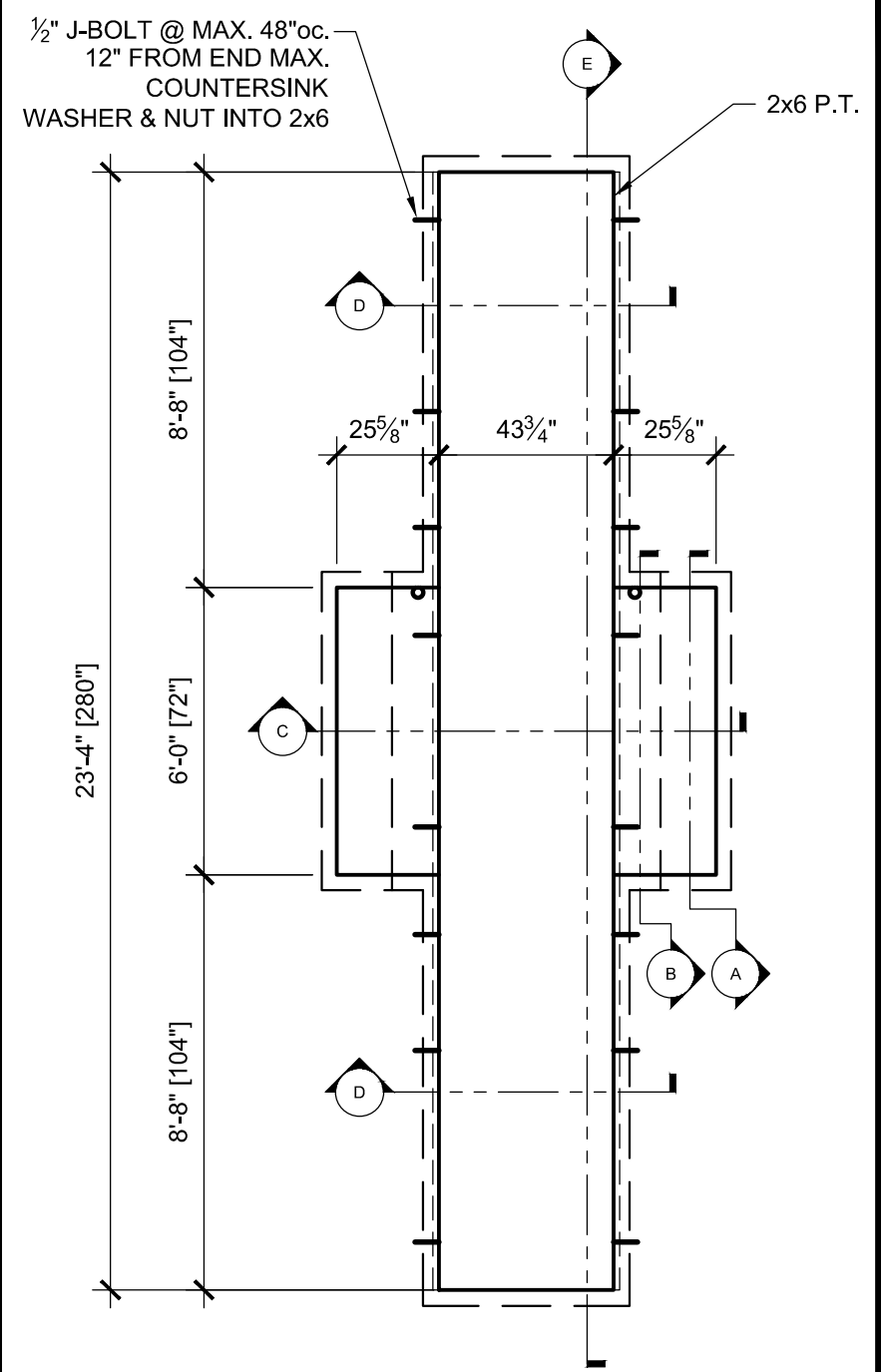
C SECTION C
1/2" = 1'-0"



D SECTION D
1/2" = 1'-0"



E SECTION E
3/8" = 1'-0"



CONCRETE PIT LAYOUT
with Lift
1/4" = 1'-0"

7-31-12	UPDATE CALLOUTS ON SECTION C & E	NJP
NUM.	DATE	REVISION
		BY

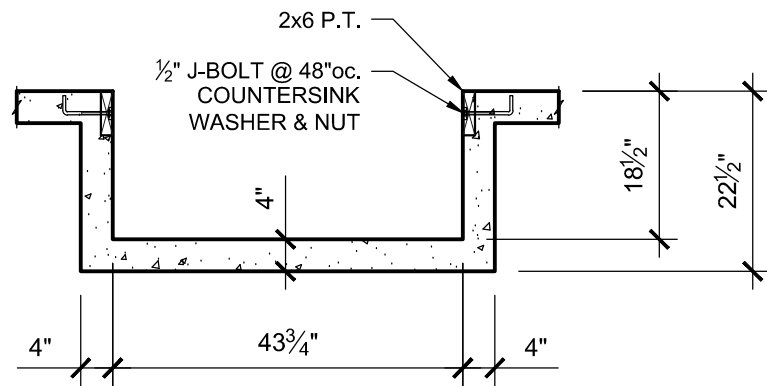
COPYRIGHT 2011, BLAZER INDUSTRIES, INC. & NEW CENTURY BUILDINGS.LLC. THIS MATERIAL IS THE EXCLUSIVE PROPERTY OF BLAZER INDUSTRIES, INC. AND SHALL NOT BE REPRODUCED, USED, OR DISCLOSED TO OTHERS EXCEPT AS AUTHORIZED BY THE WRITTEN PERMISSION OF BLAZER INDUSTRIES.

Single Zip Pit

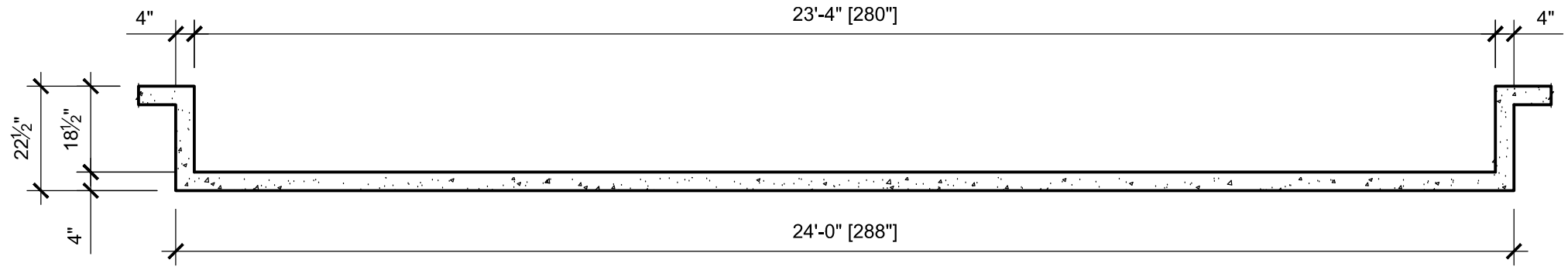
Concrete Pit Layout w/ Lift
Modulube® Zip Pit III Installation Details

Scale:	
Issue Date:	07-31-12
Drawn By:	NJP

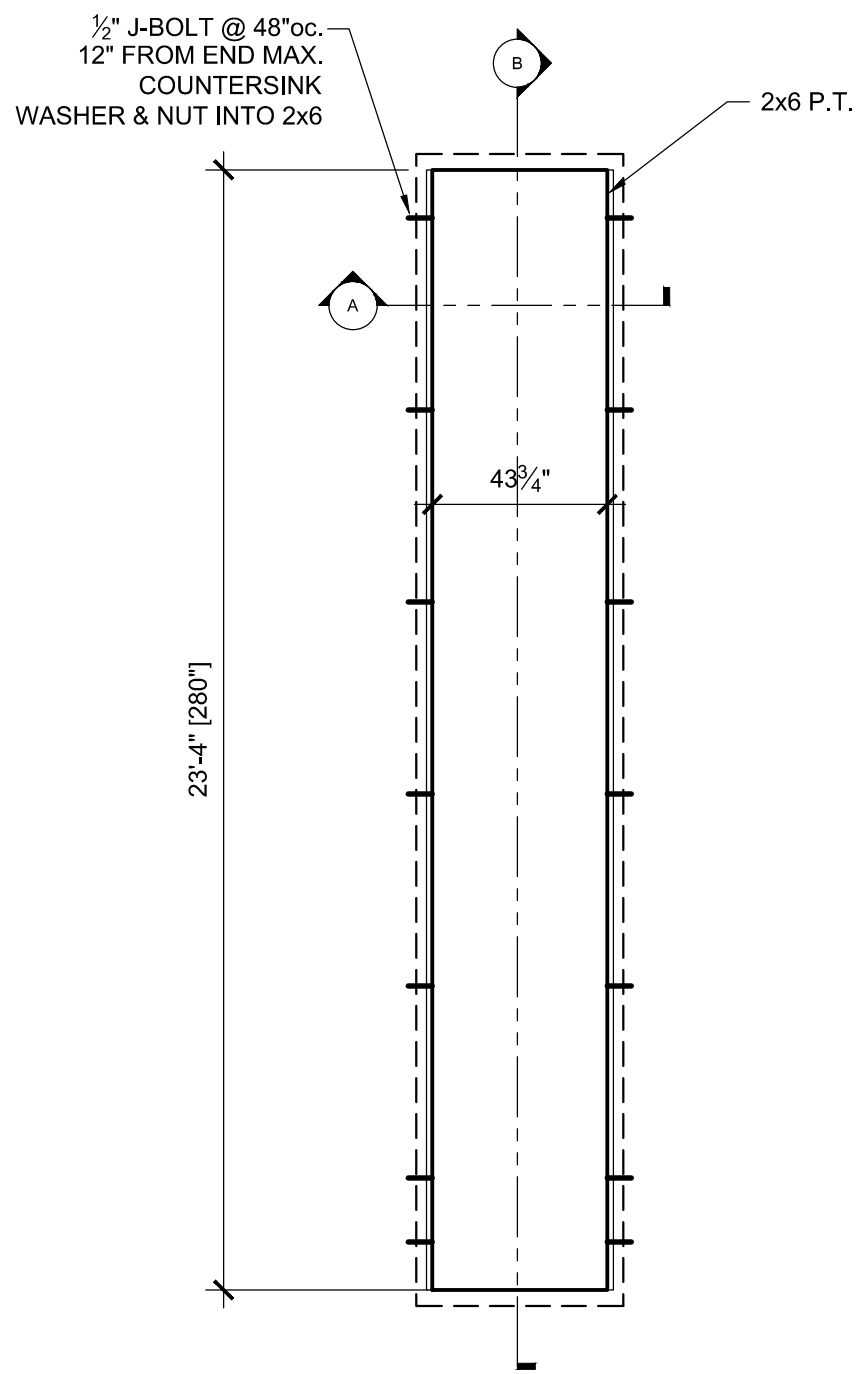
Drawings\Pump Stations- Equipment Shelters- Guard Houses\UPDATED PLANS\ZIP PIT III Single-REV



A SECTION A
1/2" = 1'-0"



B SECTION B
3/8" = 1'-0"



CONCRETE PIT LAYOUT
without Lift
1/4" = 1'-0"

NDM.	DATE	REVISION	BY

COPYRIGHT 2011, BLAZER INDUSTRIES, INC. & NEW CENTURY BUILDINGS.LLC. THIS MATERIAL IS THE EXCLUSIVE PROPERTY OF BLAZER INDUSTRIES, INC. AND SHALL NOT BE REPRODUCED, USED, OR DISCLOSED TO OTHERS EXCEPT AS AUTHORIZED BY THE WRITTEN PERMISSION OF BLAZER INDUSTRIES.

Single Zip Pit

Concrete Pit Layout w/o Lift
Modulube® Zip Pit III Installation Details

Scale:	
Issue Date:	02-27-12
Drawn By:	NJP

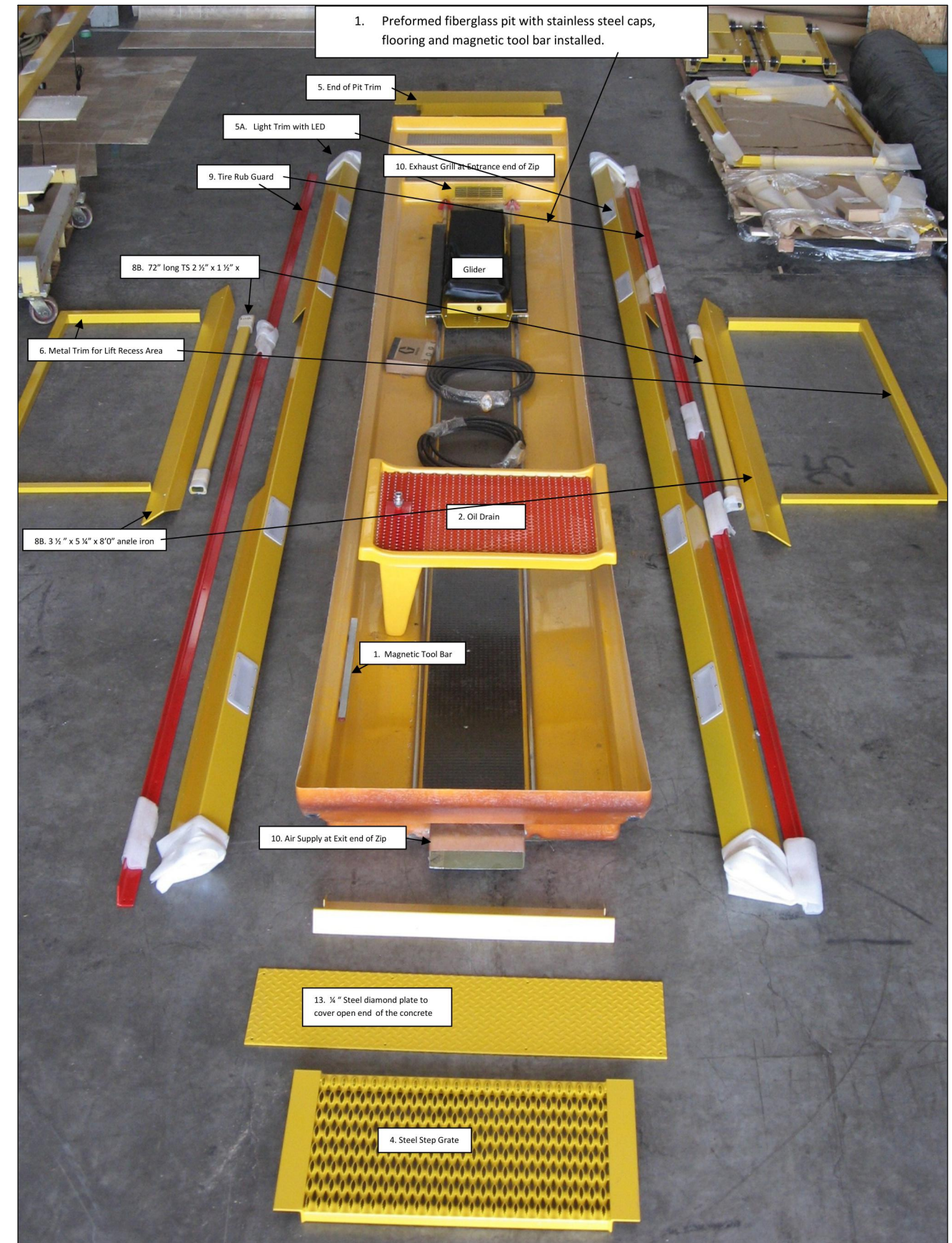
Zip Pit Notes

- 1) Entrance end of the Zip Pit has the steps.
- 2) 2x6 PT wood surrounds the Zip Pit opening to which the Zip Pit is attached.
- 3) The 2x6 PT wood is attached with threaded 16 "J" bolts that have been imbedded into the concrete vault. See S-1.
- 4) The top of the 2x6 wood surround is level with the top of finished floor. This is also true at the recessed lift area.
- 5) The top of the 72" long 2x6 at the lift area has to be flush with the top of the recessed lift area and anchored to the concrete vault with 2-imbedded "J" bolts. See S-1 Section E.
- 6) The top of the Zip Pit is flush with the top of the recessed area. See A-10 Section C.
- 7) The 5 1/4" leg of the 3 1/2" x 5 1/4" x 8'0" angle iron is to be anchored to the lower 72" 2x6 using 2 of the imbedded "J" bolts. See A-10 Section C.
- 8) The 72" long TS 2 1/2" x 1 1/2" x 1/8" is attached to the 3 1/2" flange. See A-11 Section "Light Trim Tube at Lift"

Zip Pit III

Parts List: (Numbers correspond with exploded picture.)

- 1) 1-Preformed fiberglass pit with stainless steel caps, flooring and magnetic tool bar installed.
- 2) 1-Preformed fiberglass oil recovery pan assembly.
- 3) 1-Glider assembly.
- 4) 1-Pit Step Grate.
- 5) Light trim:
 - A. 1 right hand (as viewed from the enter end with the steps),
 - B. 1 left hand, (as viewed from the enter end with the steps)
 - C. 2 end trim with clips and fasteners.(as viewed from the enter end with the steps)
- 6) Trim at recessed lift area and fasteners. One for each side.
- 7) 8-Custom LED lights with cords and plugs attached.
- 8) Support under Rub Rail at Lifts
 - A. 2 ea. 5x3 1/2 angle
 - B. 2 1/2 x1 1/2 steel tube for support of light trim at lift area with fasteners.
- 9) 2-Full Length Red Rub rails and fasteners.
- 10) 2-Grills for intake and exhaust air and ducting installed.
- 11) 1-Oil evacuation assembly.
- 12) 3 Pcs. 1 1/2" Rigid insulation-43"x 96"
- 13) 2 Pcs. 1/4" x 12" x 48" diamond plate
- 14) 4-Simpson U26-2 hangers for double 2x6 at Pit Ends.
- 15) 4 Pcs. Pressure Treated 2x6 x 43 1/2" for Pit Ends.



NUM.	DATE	REVISION	BY
	7-31-12	ADD NOTES	NJP

COPYRIGHT 2011, BLAZER INDUSTRIES, INC. & NEW CENTURY BUILDINGS.LLC. THIS MATERIAL IS THE EXCLUSIVE PROPERTY OF BLAZER INDUSTRIES, INC. AND SHALL NOT BE REPRODUCED, USED, OR DISCLOSED TO OTHERS EXCEPT AS AUTHORIZED BY THE WRITTEN PERMISSION OF BLAZER INDUSTRIES.

Single Zip Pit

EXPLODED VIEW OF ZIP PIT Modulube® Zip Pit III Installation Details

Scale:	
Issue Date:	8-1-12
Drawn By:	NJP

X-1

Rev



Zip Pit III

Parts List: (Numbers correspond with exploded picture.)

- 1) 1-Preformed fiberglass pit with stainless steel caps, flooring and magnetic tool bar installed.
- 2) 1-Preformed fiberglass oil recovery pan assembly.
- 3) 1-Glider assembly.
- 4) 1-Pit Step Grate.
- 5) Light trim:
 - A. 1 right hand (as viewed from the enter end with the steps),
 - B. 1 left hand, (as viewed from the enter end with the steps)
 - C. 2 end trim with clips and fasteners. (as viewed from the enter end with the steps)
- 6) Trim at recessed lift area and fasteners. One for each side.
- 7) 8-Custom LED lights with cords and plugs attached.
- 8) Support under Rub Rail at Lifts
 - A. 2 ea. 5x3 ½ angle
 - B. 2 ½ x1 ½ steel tube for support of light trim at lift area with fasteners.
- 9) 2-Full Length Red Rub rails and fasteners.
- 10) 2-Grills for intake and exhaust air and ducting installed.
- 11) 1-Oil evacuation assembly.
- 12) 3 Pcs. 1 ½" Rigid insulation-43"x 96"
- 13) 2 Pcs. 1/4" x 12" x 48" diamond plate
- 14) 4-Simpson U26-2 hangers for double 2x6 at Pit Ends.
- 15) 4 Pcs. Pressure Treated 2x6 x 43 ½" for Pit Ends.



View of Zip Pit III from Enter End with Steps

Notes for the Concrete Vault

1. Each side of the vault has a 2" x 6" PT embedded into the concrete and held in place with "J" bolts. For their location see S-1 Section E. For the "J" bolt detail see A-10 Detail A & C.
2. The top of the 2x6 is to be flush with the finished floor. There is also a shorter 2x6 that is installed flush with the recessed lift area. See S-1 Section E
 - a. Note. There are 8 standard "J" bolts. (2 on the shorter 2x6 and 3 each in the longer 2x6s)
 - b. Note. There are 2 additional "J" bolts for the 3 ½" x 5 ¼" x 8' angle. See A-10 Detail 1-B
3. There are two critical location measurements for the 2 ½" conduits or chases for the hydraulic lines. See Page 3-D.
 - a. One of these conduits or chases begins flush with the finished floor beneath the Accessory Post and goes into the 9" area outside the Zip Pit inside the concrete vault at the Exit end. See Page A-1.
 - b. The other two conduits or chases begin in the same 9" area and end flush with the finished recessed floor near the Exit end inside corner. See Page 3-D for exact locations.

Zip Pit II Installation Instructions:

1. Make sure pit cement vaults are clean and free of debris before beginning installation process.
2. Install 2-2"x 6" PT wood cross members to connect to the 2"x 6" PT embedded in each side wall of the cement vault. Use Simpson 2" x 2" x 5" x 1/8" thick connectors at each end of the doubled 2" x 6" cross members. This will result in a framed box for the fiberglass pit to be attached. There should be a 9" opening at both ends of the pit.
3. Cut and fit rigid insulation board on to floor of pit.
4. Install fiberglass pit into cement vault on top of rigid insulation and attach to the 2 x 6 embedded in the vault using #12 x 1 1/2" SS P.H.Sq. Dr.screws provided.
5. Center the pit lengthwise leaving each end free as a work area to install hoses and electrical wiring and air ductwork. When centered the open ends should be about 9" deep.
6. Locate the pit light cover. It is a "U" shaped metal piece with rectangle LED lights installed. Each light has a coiled up cord with molded plug.
7. Have the electrician install a double duplex outlet at each end of the vault. They should have a switch in a convenient place outside the pit area. There will be four plugs from the LED lights that need to be plugged in at each end.
8. Install the light covers using supplied anchors into predrilled holes on the trim into the 2 x 6 PT wood members embedded into the sides of the cement vault.
9. Install the tube steel and 3 12/ x 5 ¼ x 8' light trim iron as seen on A-10 Section C and A-11 in detail Light Trim Angle @ Lift.

10. Install the tire rub angles on top of the light trim. It will double as the track upon which the rolling oil drain pan will travel. The inside of the vertical portion of the angle should be 38 ½ " wide to allow the oil drain pan to travel without binding or falling off the track.
NOTE: Use the rolling drain pan to determine the final positioning of the tire rub angle/track!
11. Connect the pit exhaust at the rear or entrance end of the pit to the exhaust system supplied by others. (This exhaust air should be vented to the outside of the building.)
12. Connect the pit air supply at the front or exit end of the pit to the provide ambient or heated air supplied by others.
13. Install the waste oil evacuation lines to each pit. Use the provided grommets to protect the oil evacuation hose as it passes through the end of the pit.
14. Install trough plates at each end of the pit. Two 12" x 48" x ¼" plates are provided for this purpose. Any other required plates or opening covers are supplied by others.
15. Locate and install step grating.
16. Install non skid reflective safety tape on each step in the pit if not already installed.
17. Install glider assembly into each pit. (Note cleaning instructions included below.)
18. Install oil drain pan assembly and test diaphragm pump supplied by others.
19. Test evacuation pump for both the oil drain pan and the rear differential/gear box hose.

Cleaning of Glider Upholstery

It is recommended to wipe cushion with clean rag or sponge using a solution of clean warm water and mild soap only.

Wipe cleaning solution off with clean warm water using a clean rag or sponge.

Once a month wipe down the vinyl fabric with a vinyl cleaner/conditioner or petroleum jelly. Pay special attention to the threaded seams of the glider.

Do not use cleaning solutions that have either ALCOHOL OR AMMONIA in their ingredients. DO NOT USE Brake Cleaner. This will cause the vinyl to dry and crack and require replacement.

Accessory Post

Accessory Post Systems Each containing:

1. One Steel Square Post with Floor Flange
2. Attached Motor Mounting Bracket
3. Removable Top Cover
4. Holes for Wire and Hose Management

Blazer 9000

- **Blazer 9000 Height Restricted Lift Assemblies Each Containing:**
 1. One Basic Unit
 2. One Set Adjustable Arms
 3. One Set of Four Rubber Blocks
 4. One Motor Assembly
 5. Hydraulic Pumps and Hoses
 6. Air Regulators for Lock Release Assembly

Blazer 9000 Installation Instructions:

See Instructions Provided by Manufacturer

Certification of Installation

This is to certify that the Zip Pits and Blazer 9000 lift have been installed as per the instructions provided by New Century Buildings, LLC and that everything is in working order.

SERIAL NUMBER: _____

Customer: _____

Customer Contact: _____

Name: _____

Customer Contact Signature: _____

Installation Location: _____

Installation Address: _____

Installation Company: _____

Installation Date: _____

Installer Name: _____

Installer Signature: _____

Fax or Mail a Copy of This Document To:

Peter Barram
Integrated Services Inc./ ModuLube®
15115 SW Sequoia Parkway Suite 110
Portland, OR 97224
peter.barram@ints.com
503-603-4202
Fax: 503-603-4201



CAT

HUSKY

HUSKY

HUSKY

1

2

3