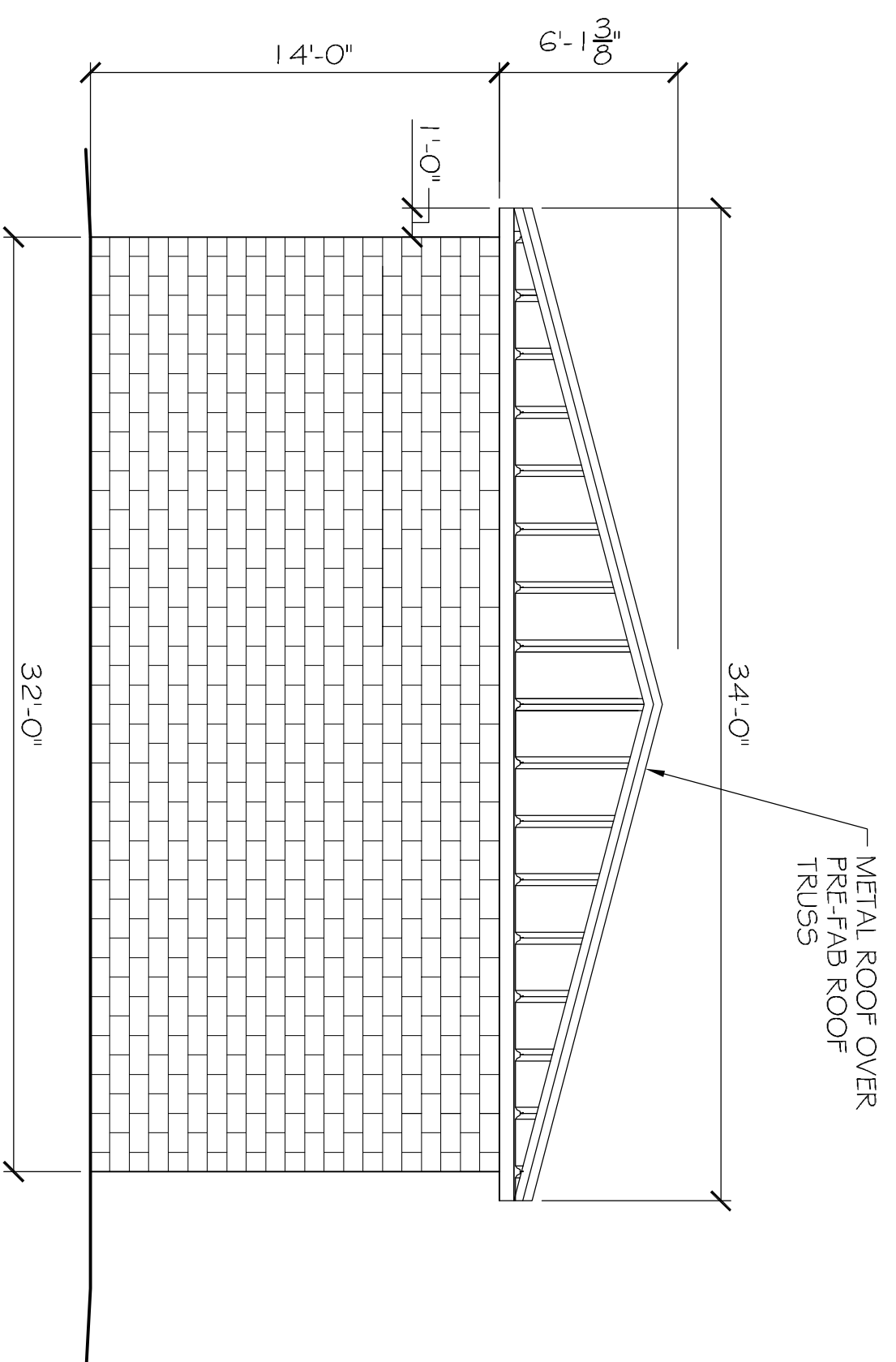
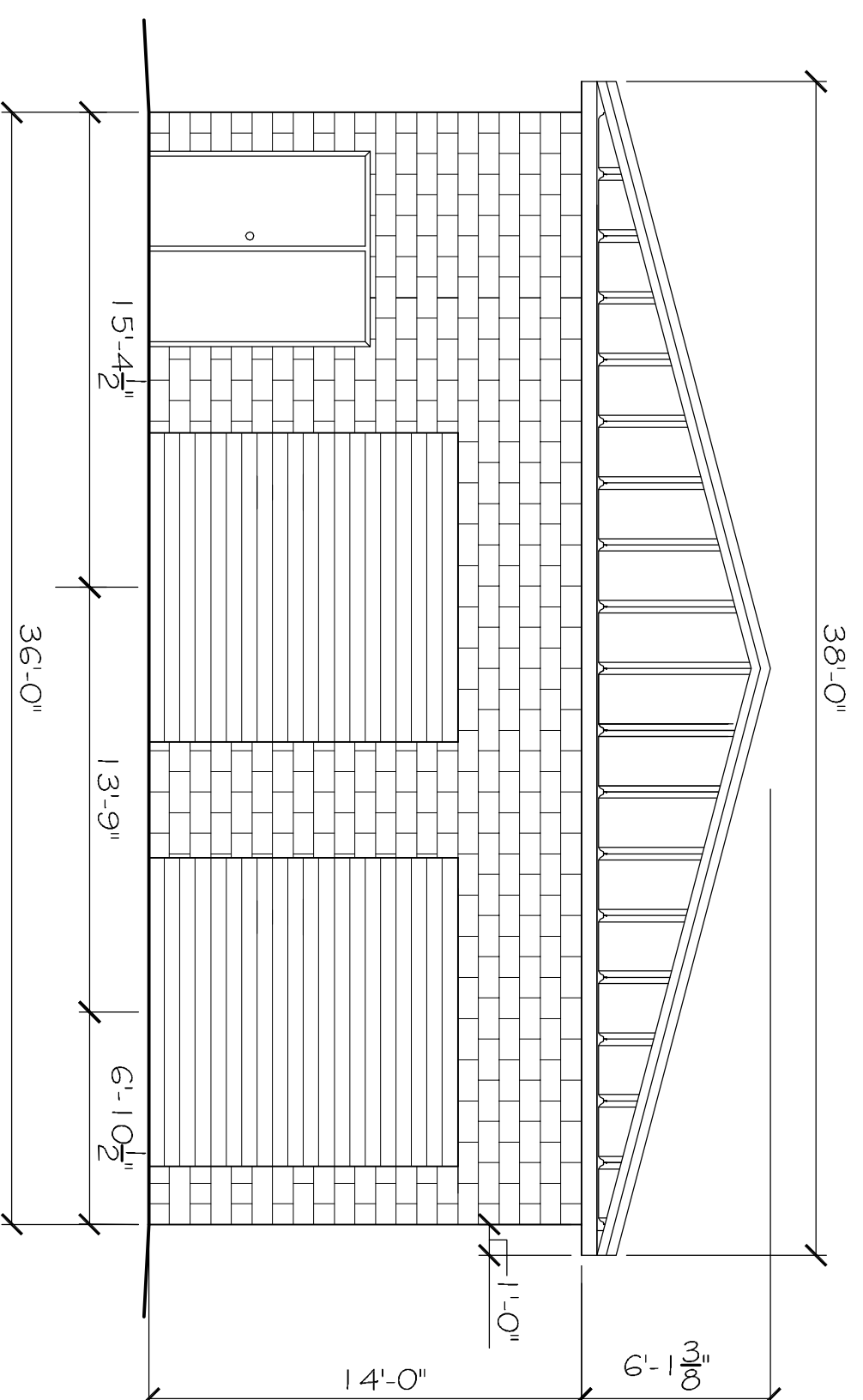


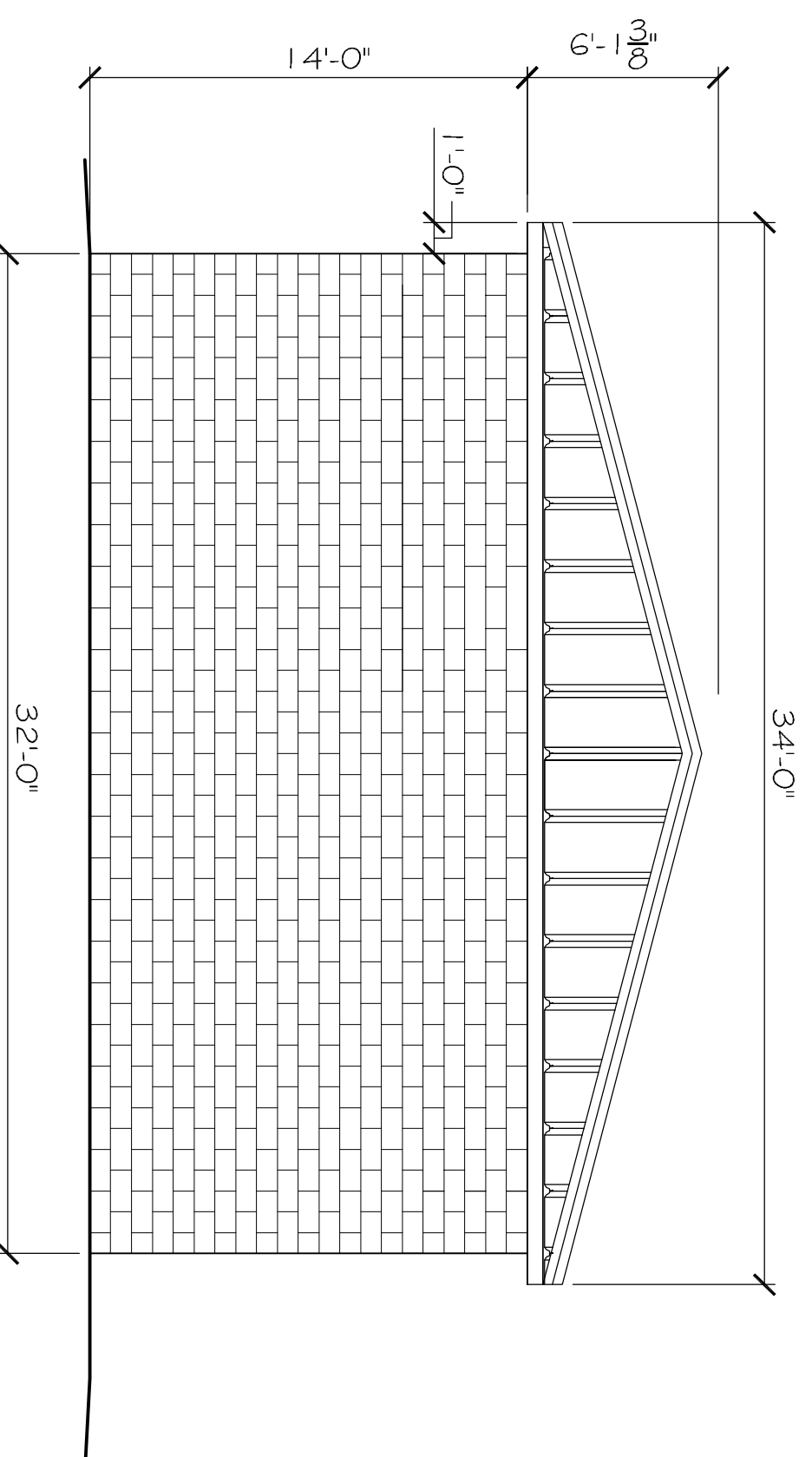
ENTRY ELEVATION  
SCALE: 3/16" = 1'-0"



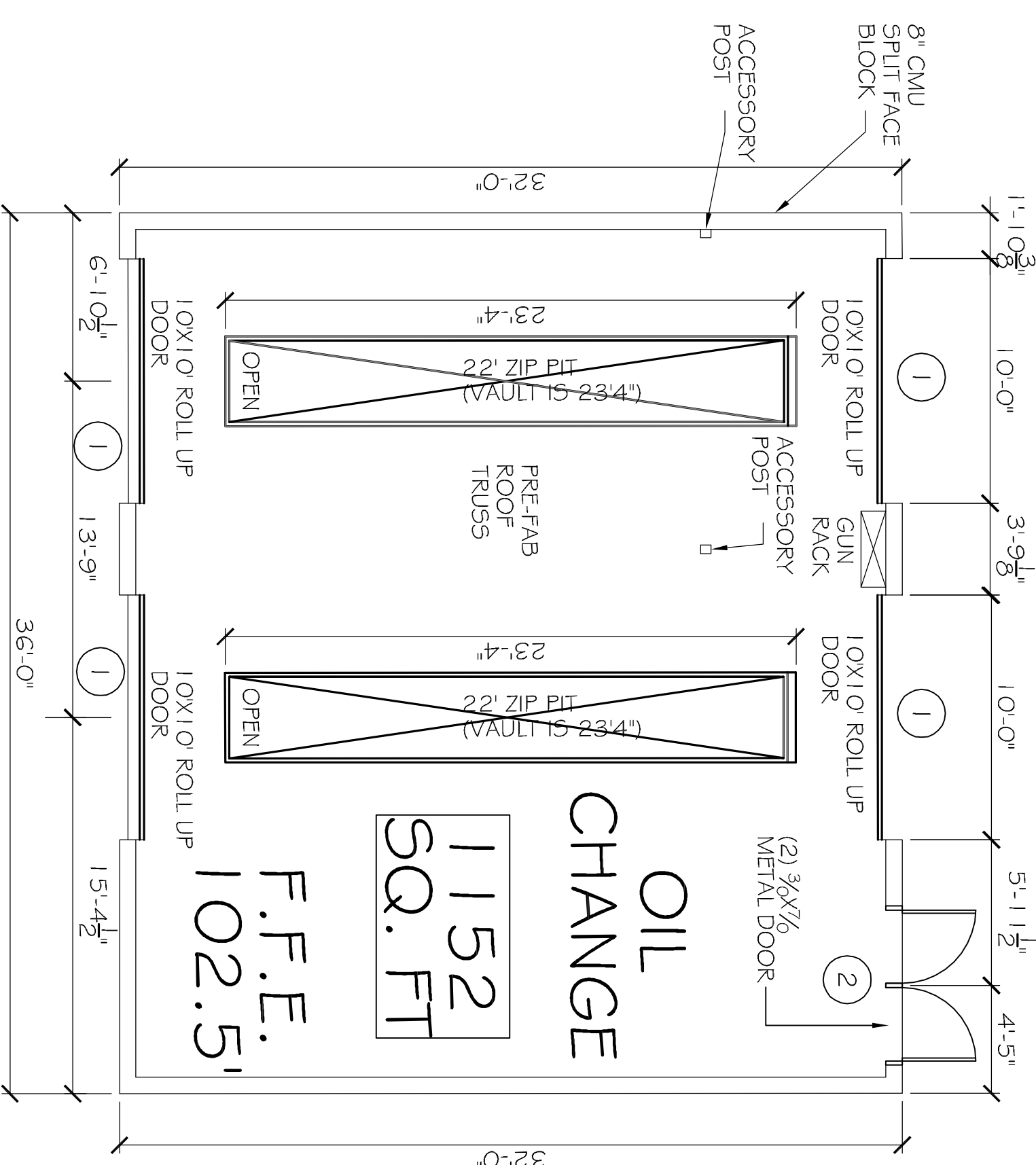
LEFT ELEVATION  
SCALE: 3/16" = 1'-0"



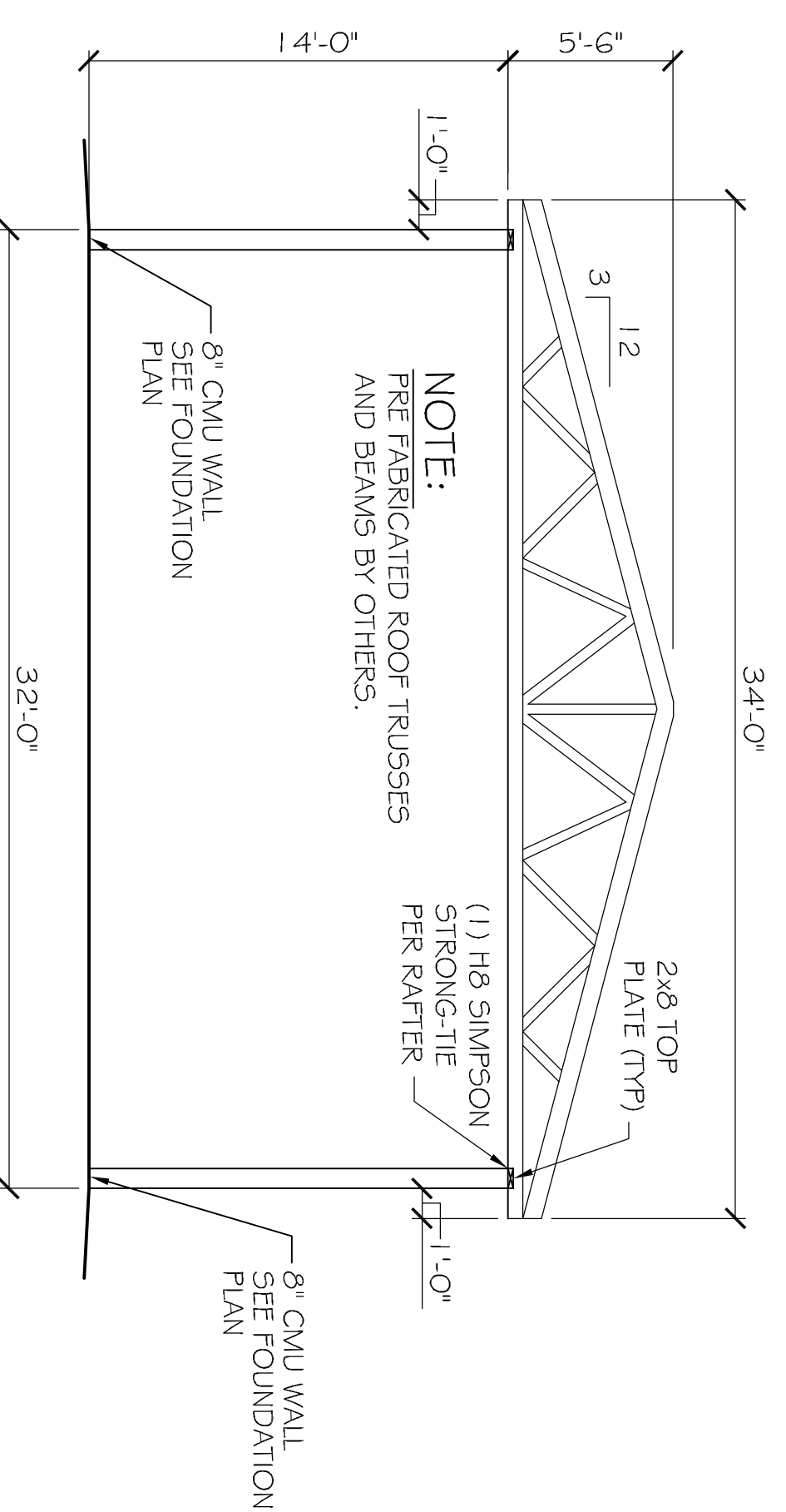
REAR ELEVATION  
SCALE: 3/16" = 1'-0"



RIGHT ELEVATION  
SCALE: 3/16" = 1'-0"



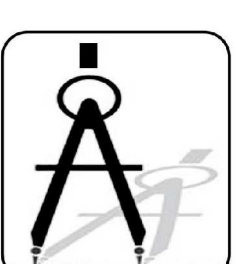
FLOOR PLAN  
SCALE: 3/16" = 1'-0"



TYPICAL SECTION  
SCALE: 3/16" = 1'-0"

DOOR & HARDWARE SCHEDULE (X)					
TYPE	FRAME	HINGE	LOCK	ACCESSORIES	REMARKS
1	10' x 10'			<input type="checkbox"/> ROLL-UP <input type="checkbox"/> HOLLOW METAL	
2	3/0' x 7/0'			<input type="checkbox"/> STEEL TRACK <input type="checkbox"/> HOLLOW METAL <input type="checkbox"/> BUTT 1-1/2 PR <input type="checkbox"/> NONE	
				<input type="checkbox"/> KEYED ENTRY <input type="checkbox"/> DEADBOLT <input type="checkbox"/> PRIVACY <input type="checkbox"/> SLIDE BOLT	
				<input type="checkbox"/> THRESHOLD <input type="checkbox"/> WEATHERSTRIP <input type="checkbox"/> DOOR STOP <input type="checkbox"/> DOOR CLOSER <input type="checkbox"/> SEAL PROOFING <input type="checkbox"/> SIDE LITE <input type="checkbox"/> VENT/GRILLE	
					OVERHEAD DR. SEE ELEVATIONS

- DOOR & HARDWARE NOTES:
1. DOOR HINGES TO BE STANLEY FULL MORTISE STANDARD WEIGHT BALL BEARING HINGES. STAINLESS STEEL WITH SATIN FINISH.
  2. PROVIDE ADA APPROVED LOCKSETS WITH SATIN STAINLESS STEEL FINISH. TO BE SELECTED BY OWNER.
  3. COORDINATE KEYS SCHEDULE WITH OWNER.
  4. DOOR STOPS TO BE EQUAL TO IVECS NO. 436 OR 437. AS REQUIRED IN MATCHING SATIN STAINLESS STEEL FINISH.
  5. WEATHER-STRIP & THRESHOLD FINISH TO COMPLEMENT OTHER HARDWARE.



**DAMMON**  
ENGINEERING, INC.

CHIEF ENGINEER, EMMETT DAMMON, P.E.  
554 OLD SPANISH TRAIL  
SLIDEHEAD, LA 70458

dammoneengineering.com  
dammoneg@bellsouth.net  
PHONE: 985-649-5832  
FAX: 985-641-5950

RAINFOREST CARWASH

5026 HARDY ST.  
HATTIESBURG, MISSISSIPPI

JOB No: 2176 DATE: 06-28-2013

DRAWN BY: JCT/JTL CHECKED BY: CD

The above drawings and specifications, designs and engineering representations hereby are and shall remain the property of Dammon Engineering, and no part thereof shall be copied, disclosed to others, or used in connection with any work or project other than the specific project for which they have been prepared and distributed without written consent of Dammon Engineering. Visual contact with these drawings or specifications shall constitute complete and exclusive acceptance of these restrictions.

REVISIONS		DATE
#	DESCRIPTION	

OIL CHANGE ELEVATIONS & PLAN

SHEET No: 10 OF 22

A-3