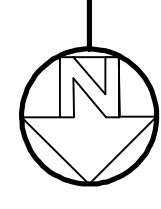


**GENERAL FOUNDATION NOTES**

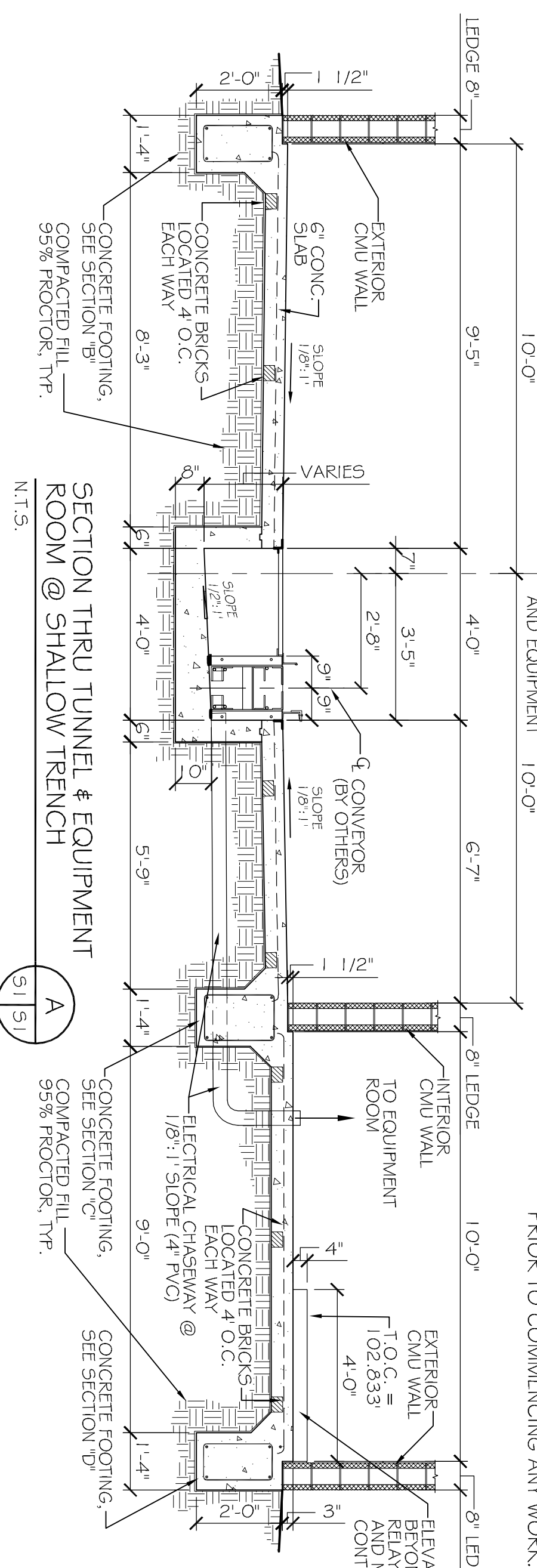
1. THE CONCRETE MIX SHALL HAVE A MINIMUM COMPRESSIVE STRENGTH OF 3,000 PSI AT 28 DAYS. CONCRETE MIX SHALL BE IN ACCORDANCE WITH ACI-318.
2. ALL CONVENTIONAL REINFORCING STEEL SHALL MEET ASTM A615 (GRADE 60).
3. ONE LAYER OF POLYETHYLENE VAPOR BARRIER SHALL BE PLACED UNDER ALL CONCRETE. VAPOR RETARDER TO BE 15 MIL STRENGTH; ASTM E 1745 CLASS A, PERMEANCE LESS THAN 0.01 PERMS, EQUAL TO STEGO INDUSTRIES STEGO WRAP, ECOSHIELD-E 15 MIL BY ERKO, OR IRONBAR 15 BY FLATIRON FILMS. PROVIDE APPROPRIATE ACCESSORIES FOR A COMPLETE SYSTEM.
4. ALL REINFORCING STEEL AND MESH SHALL BE SECURELY SUPPORTED TO PREVENT BOTH VERTICAL AND HORIZONTAL MOVEMENT DURING CONCRETE PLACEMENT.
5. THE CONTRACTOR SHALL VERIFY ALL DROPS, OFFSETS, DIMENSIONS AND CONFIGURATIONS. CONTRACTOR MUST BE RESPONSIBLE FOR SAME.
6. GRADE BEAM SIZES MAY VARY BY -.5% +20%.
7. ALL SUB GRADE FILL SHALL BE SELECT GRANULAR MATERIAL COMPACTED TO 95% STANDARD PROCTOR DENSITY IN A MAXIMUM OF 6" LIFTS.
8. A MINIMUM OF 6" CONCRETE SHALL BE MAINTAINED THROUGHOUT THE SLAB.
9. ALL RUNOFF WATER MUST BE CARRIED AWAY FROM THE SLAB TO PREVENT SATURATION OF THE SUB-BASE.
10. ALL TREES WITHIN CLOSE PROXIMITY SHALL BE REMOVED TO PREVENT THE ROOTS FROM EXTENDING UNDER THE SLAB.
11. PROVIDE AND MAINTAIN IMMEDIATE SITE DRAINAGE BEFORE, DURING, AND AFTER CONSTRUCTION. PROVIDE GRADING, SWELLS, AND SUMP PUMPS AS MAY BE REQUIRED TO IMMEDIATELY DRAIN ALL RAINWATER FROM THE CONSTRUCTION AREA. FOOTING EXCAVATIONS SHOULD BE OBSERVED AND CONCRETE PLACED AS QUICKLY AS POSSIBLE TO AVOID EXPOSURE OF THE FOOTING BOTTOMS TO WETTING AND DRYING. SURFACE RUNOFF WATER SHOULD BE DRAINED AWAY FROM THE EXCAVATIONS AND NOT BE ALLOWED TO POOL PRIOR OR AFTER CONCRETE PLACEMENT. IF IT IS REQUIRED THAT A FOOTING EXCAVATION BE LEFT OPEN FOR MORE THAN ONE DAY, THEY SHOULD BE PROTECTED TO REDUCE EVAPORATION OR ENTRY OF MOISTURE.
12. NEW SPREAD CONCRETE FOOTINGS AND CONTINUOUS FOOTINGS, BEARING ON COMPACTED PRESURESS OF 1,200 PSF AND 2,000 PSF, RESPECTIVELY. BASED ON DEAD LOADS AND DESIGN LIVE LOADS.
13. FOUNDATION SETTLEMENTS SHOULD NOT EXCEED 1 1/4 INCH. DIFFERENTIAL SETTLEMENT IS ESTIMATED TO BE LESS THAN 1 INCH.
14. TREAT SOIL BELOW SLAB FOR TERMITES.

**FOUNDATION PLAN**

SCALE: 3/16"=1'-0"

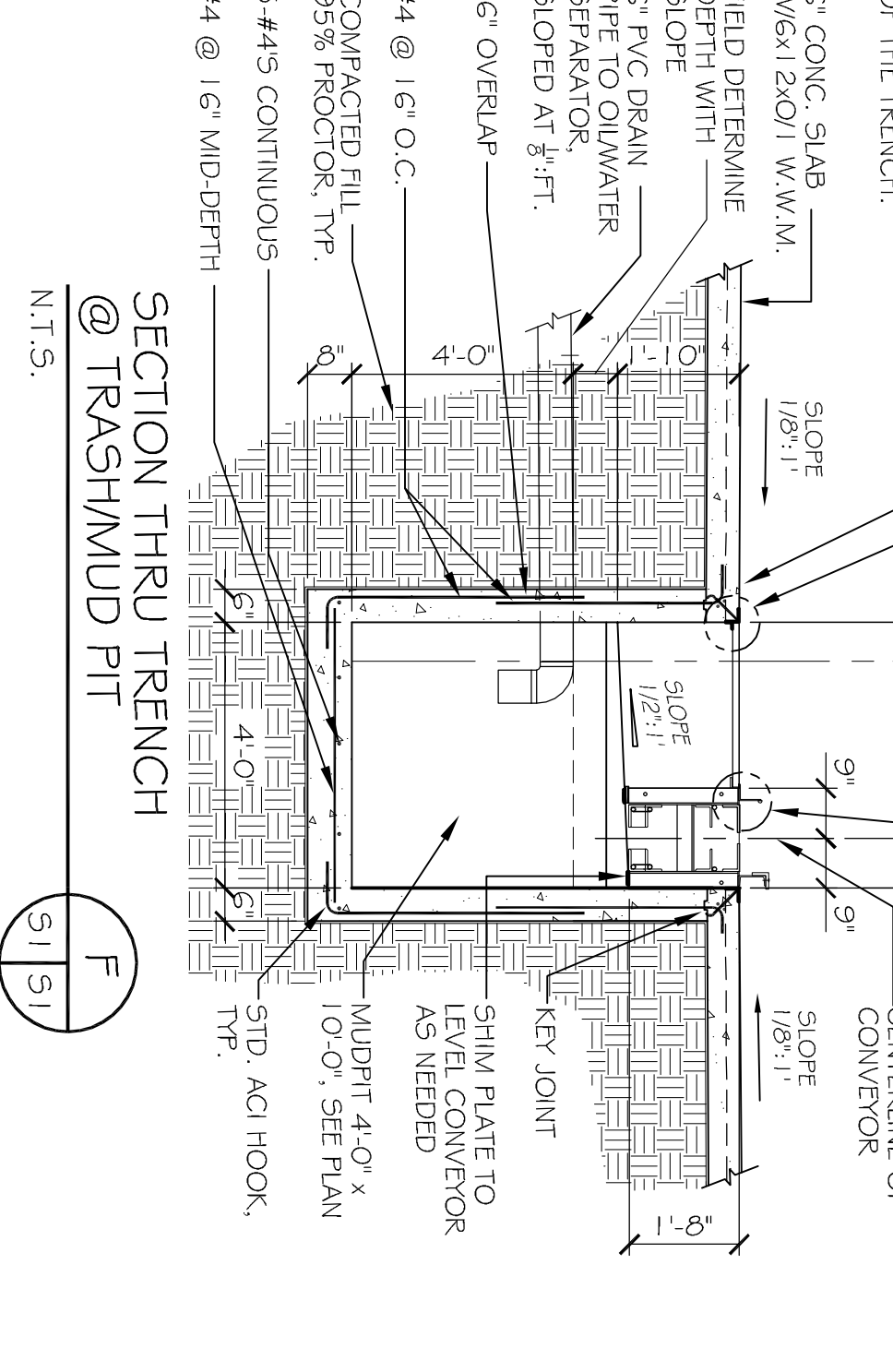
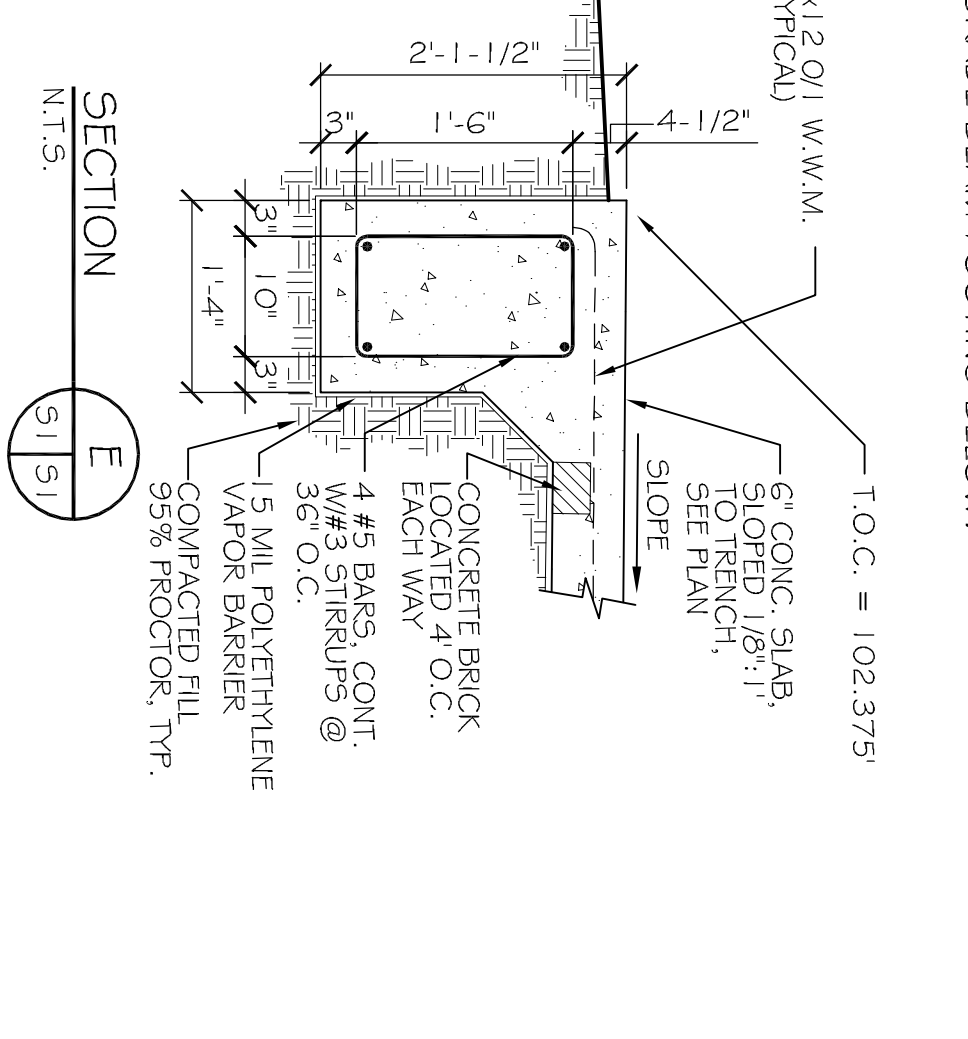
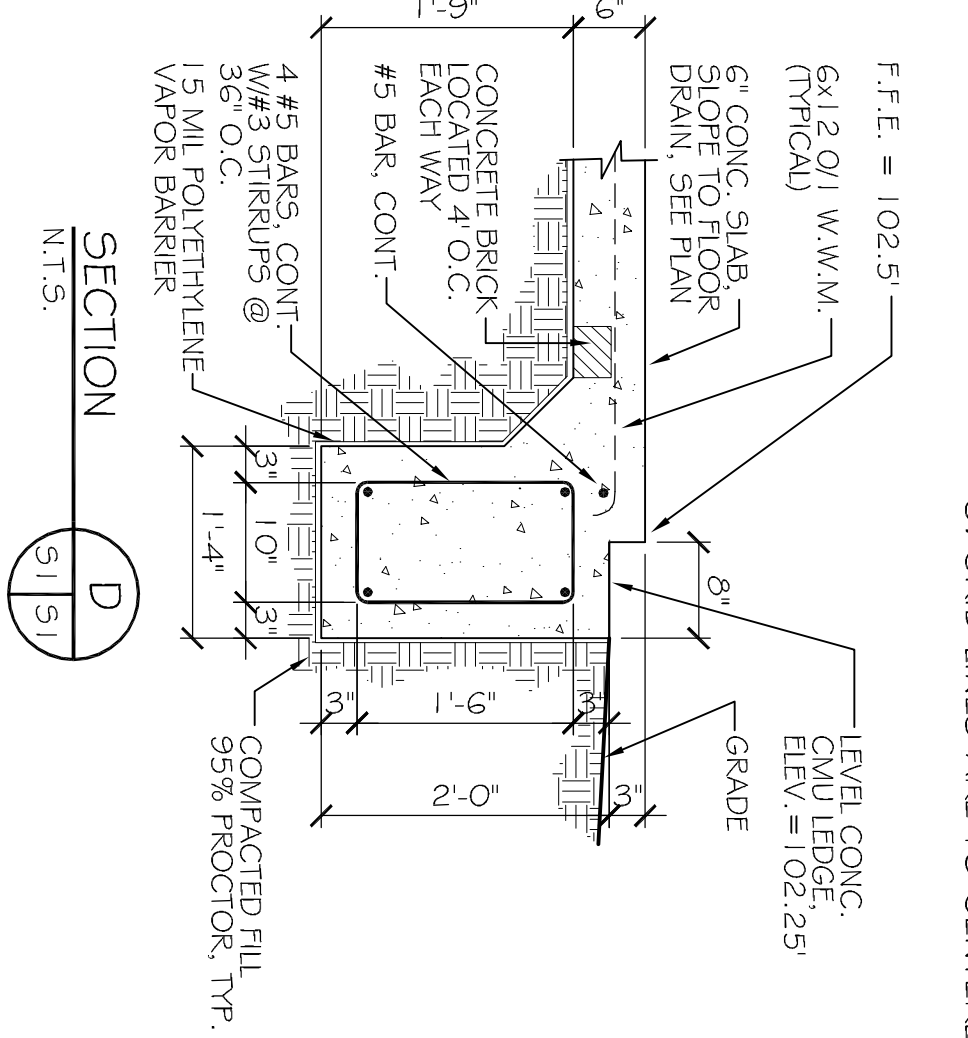
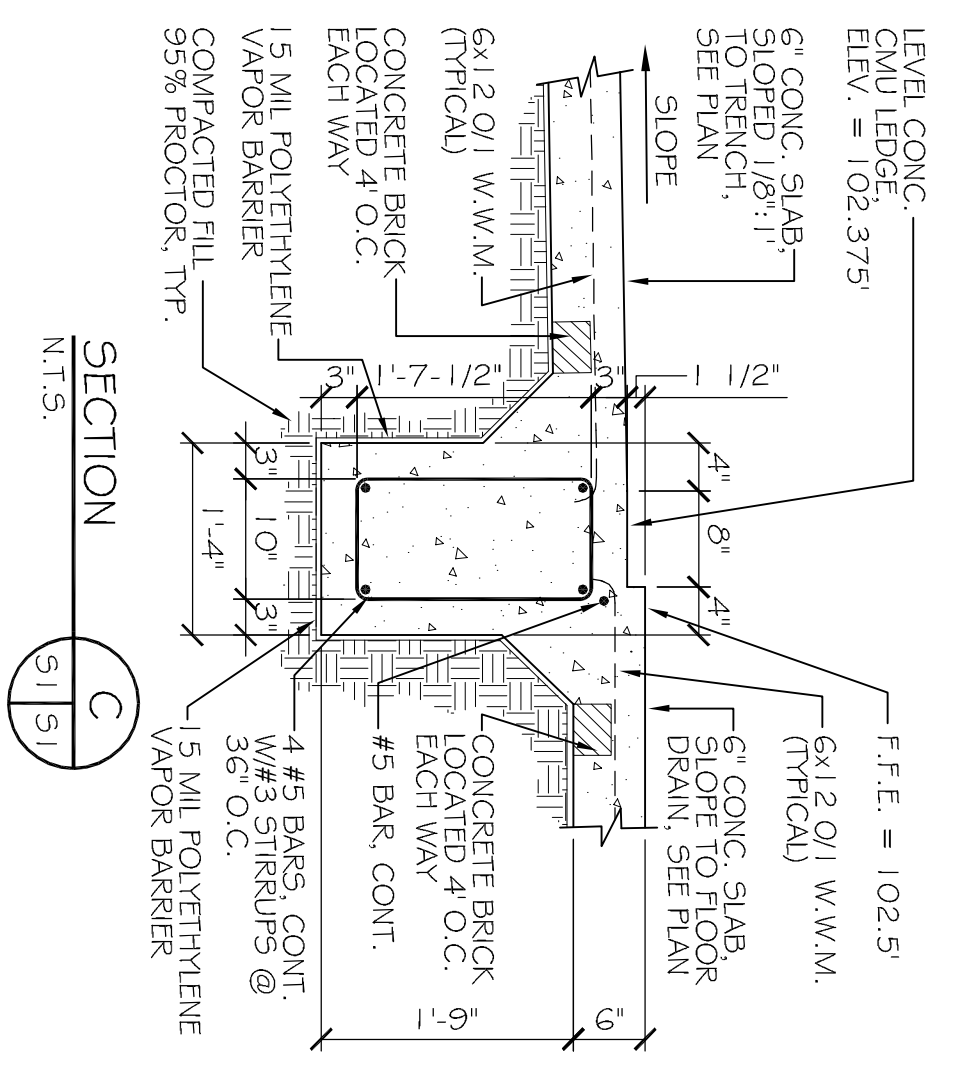
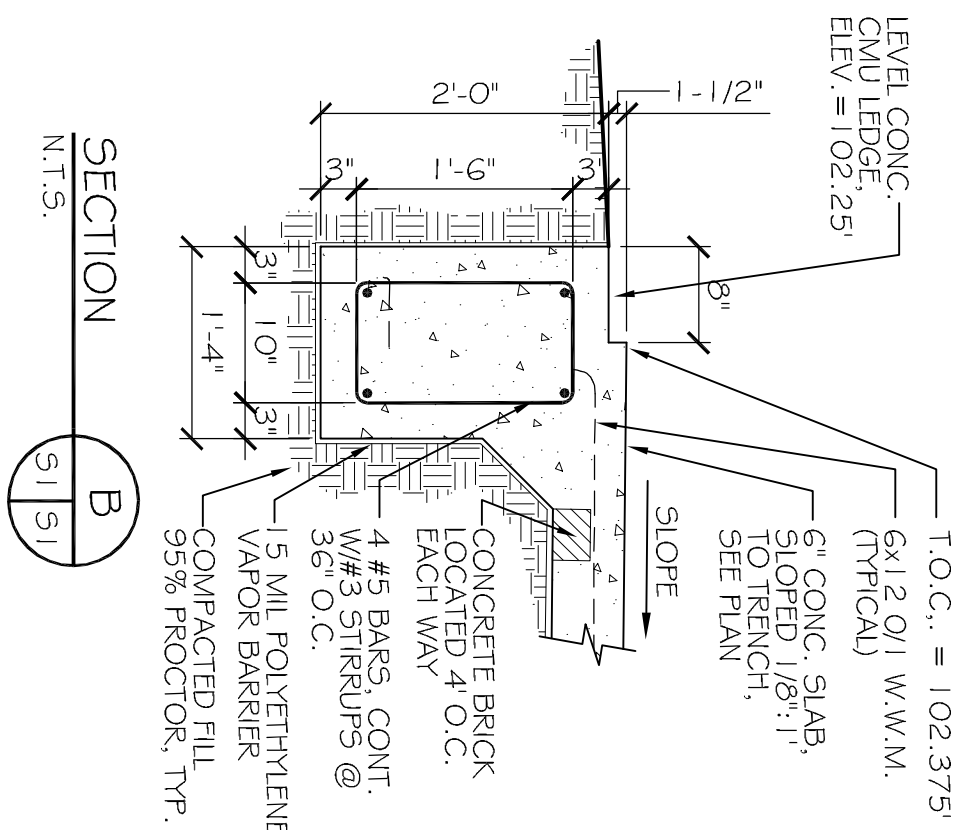


**NOTE:**  
COORDINATE WITH EQUIPMENT MANUFACTURER DRAWINGS AND PROVIDE EQUIPMENT ELECTRICAL CONDUIT, WIRING, AND PLUMBING REQUIREMENTS PRIOR TO COMMENCING ANY WORK.



**SPECIAL FOUNDATION NOTES**

1. HATCHED AREA INDICATES CONTINUOUS 8" WIDE "RECESSED" LEVEL TOP OF SLAB FOR CMU WALL BASE. ELEVATION AS SHOWN. BEGIN SLOPE OF CONCRETE SLAB TO TRENCH DRAIN BEYOND THE 8" LEVEL STRIP AS SHOWN ON PLANS.
2. LEVEL LANDING AT MECHANICAL ROOM DOOR. ELEVATION MAY 1/2" BELOW T.O.S.
3. GRID LINES ARE TO CENTERLINE OF GRADE BEAM FOOTING BELOW.



**RAINFOREST CARWASH**

5026 HARDY ST.  
HATTIESBURG, MISSISSIPPI

JOB No: 2176 DATE: 06-28-2013

DRAWN BY: JTL CHECKED BY: CD



**DAMMON**  
ENGINEERING, INC.

CHIEF ENGINEER, EMMETT DAMMON, P.E.  
554 OLD SPANISH TRAIL  
SLIDELL, LA 70458

dammoneengineering.com  
dammoneng@bellsouth.net  
PHONE: 985-649-5832  
FAX: 985-641-5950

#	DESCRIPTION	DATE