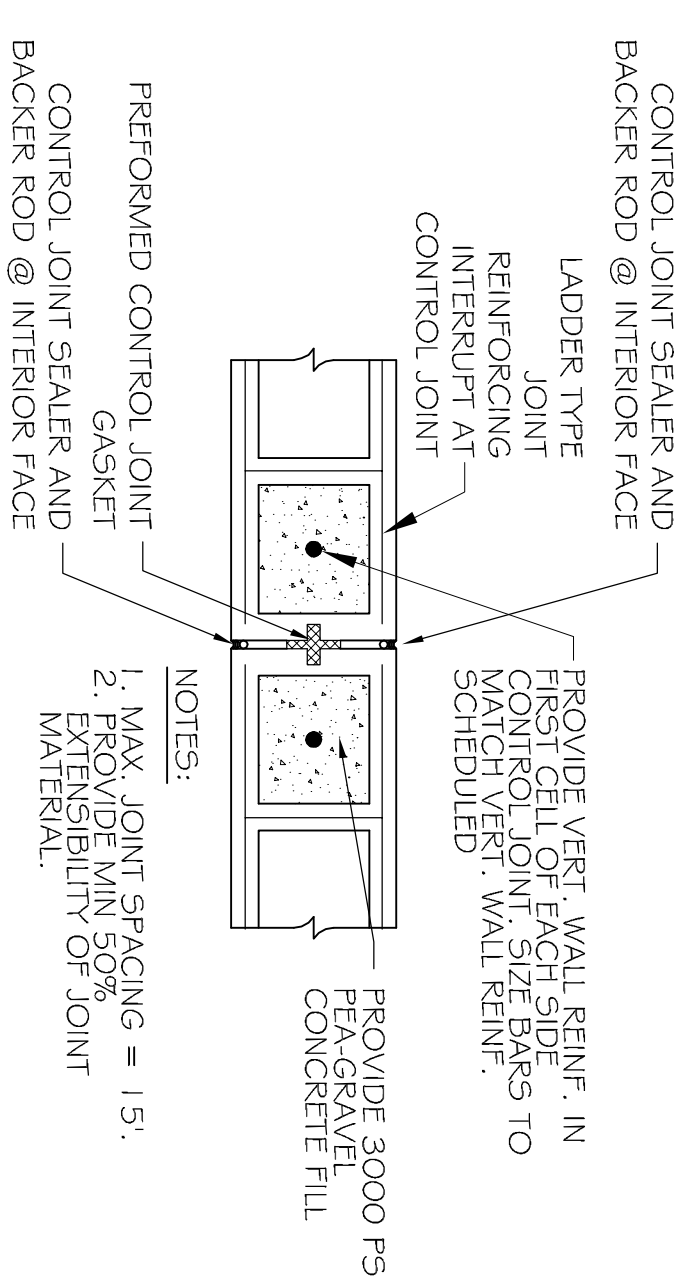
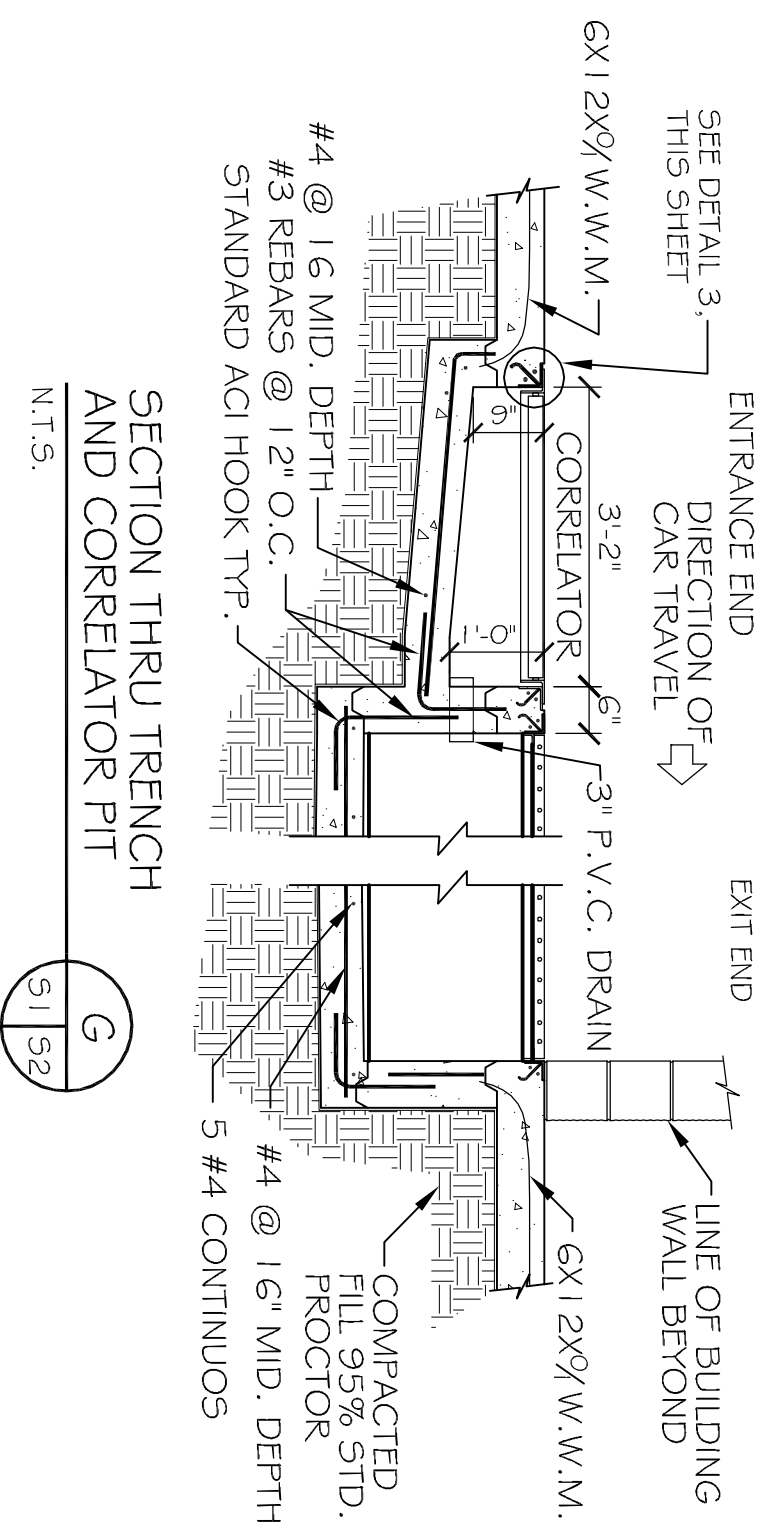
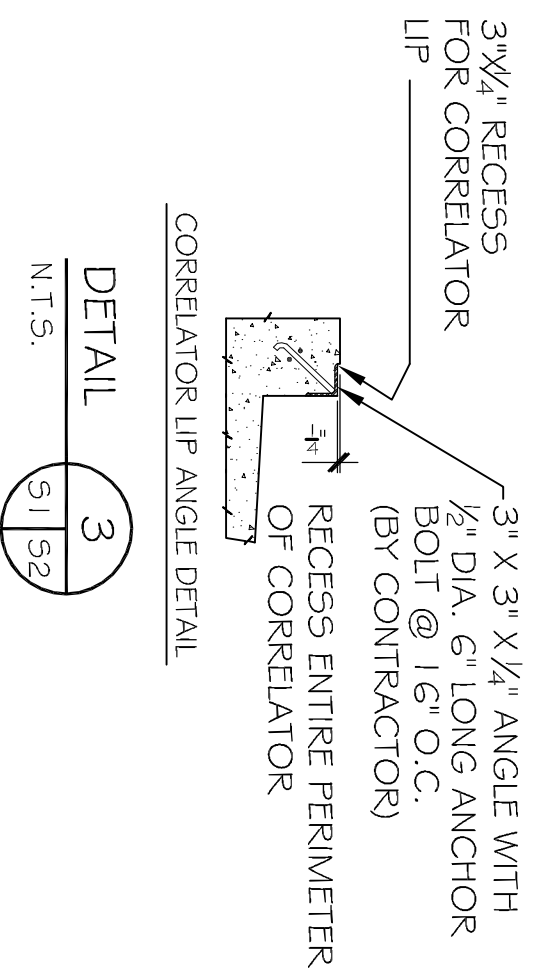
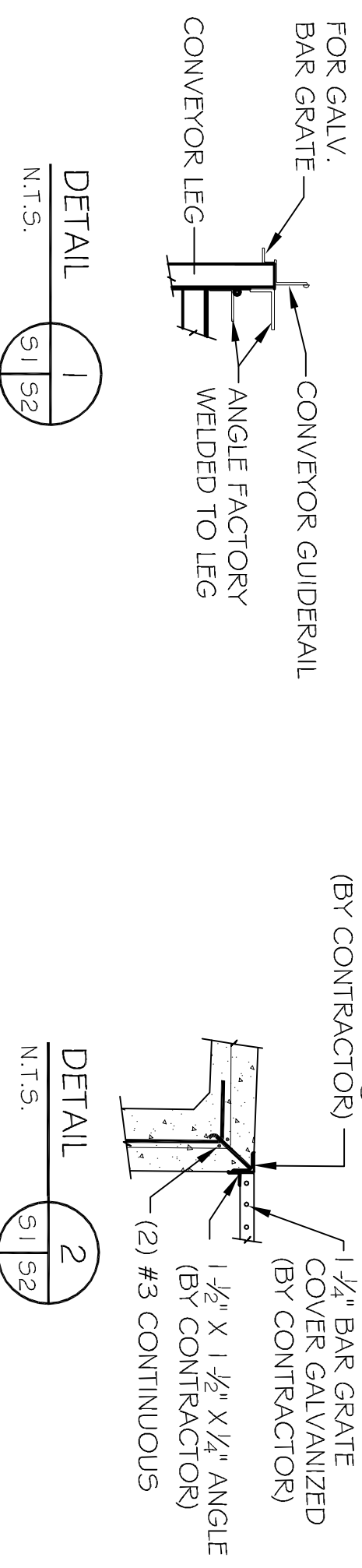
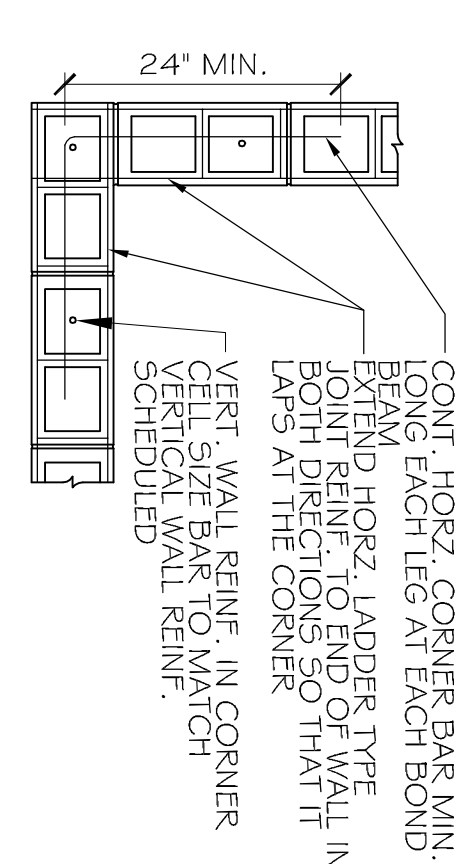


CMU LINTEL SCHEDULE			
WIDTH (W)	CLEAR SPAN	DEPTH (D)	HORIZ. REINF.
8'-TYPE AT ALL CMU WALLS	UP TO 3'-4"	8"	(1) #6 BOTTOM
	UP TO 6'-4"	16"	(1) #6 T&B
	UP TO 14'-0"	24"	(2) #6 T&B

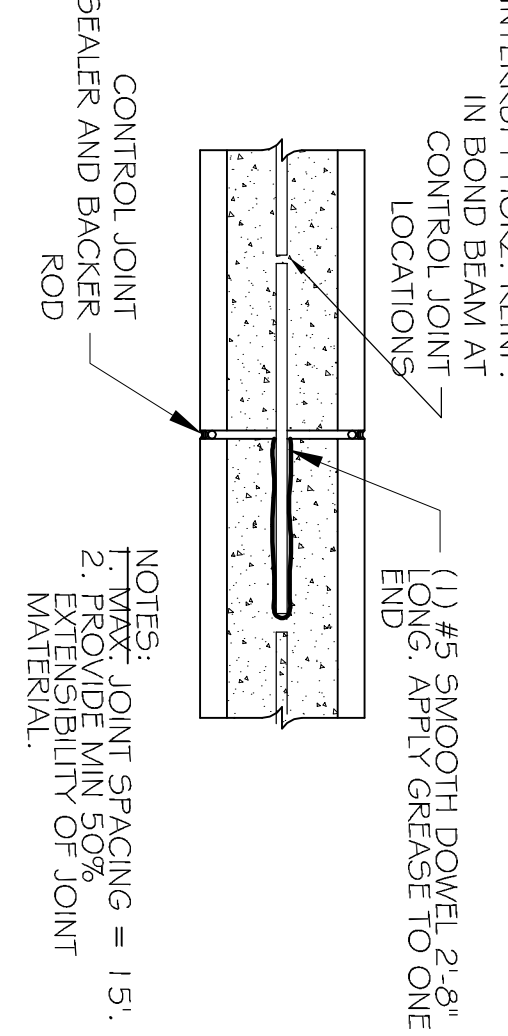
PROVIDE 3000 PSI PEA-GRAVEL CONCRETE FILL FOR ALL LINTELS.



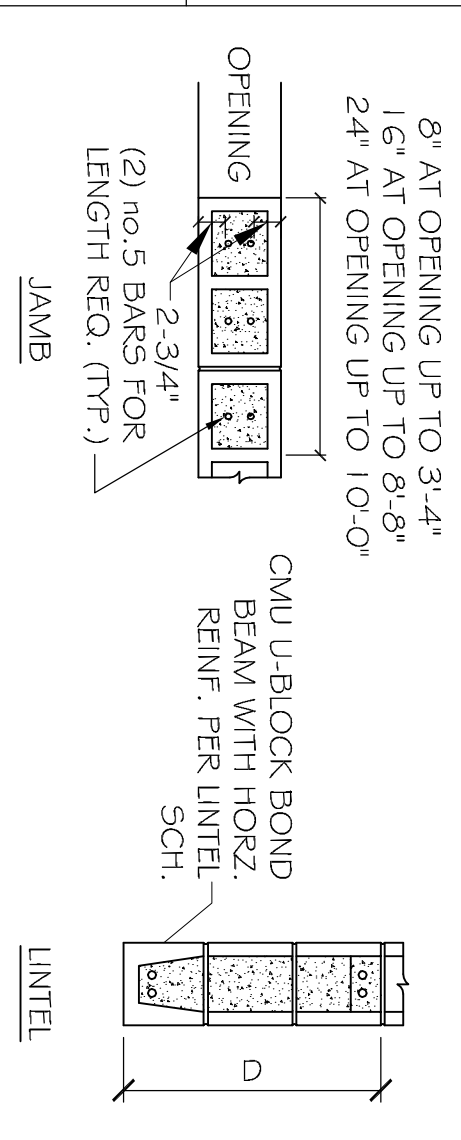
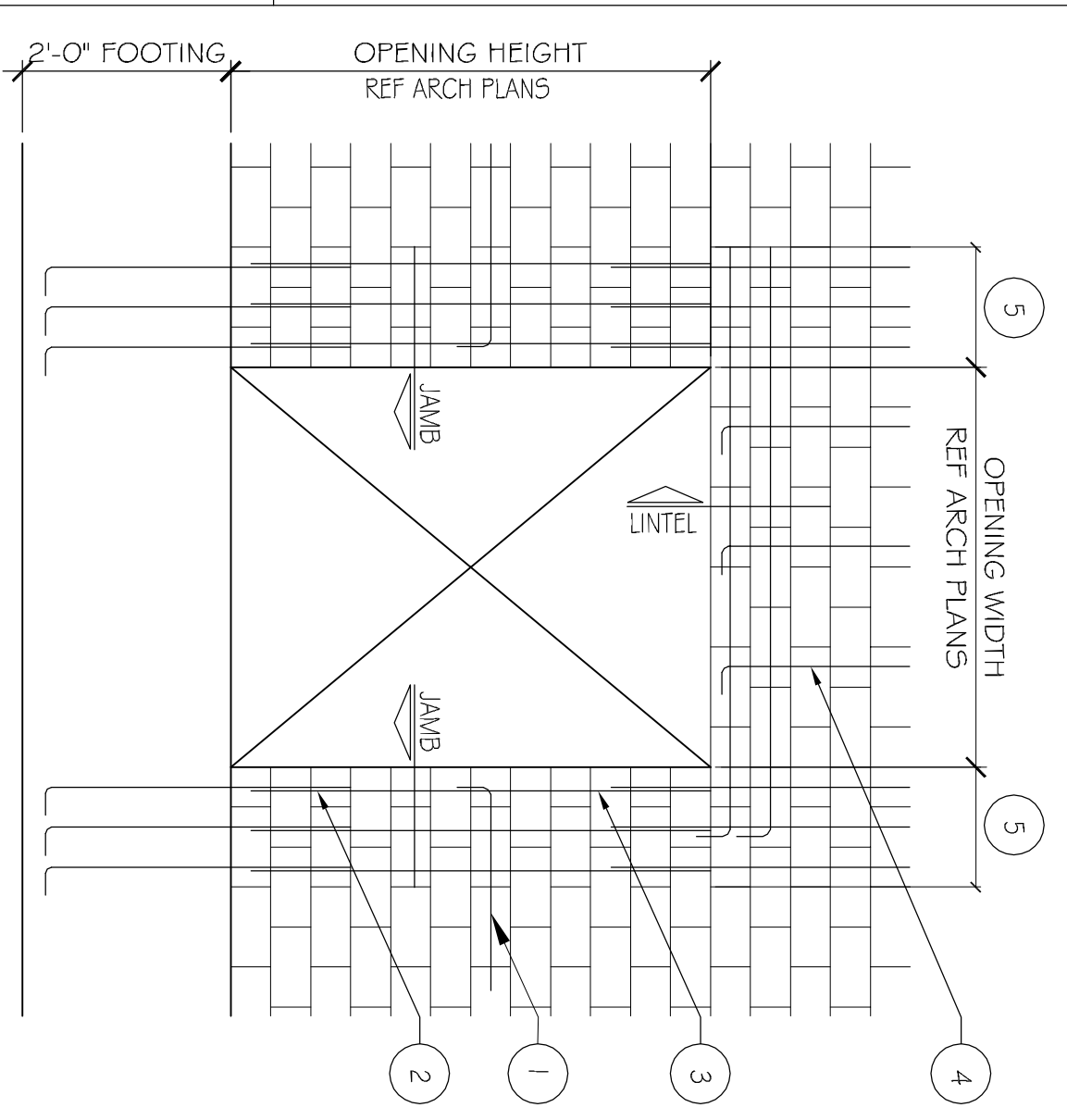
TYPICAL MASONRY CONTROL JOINT
SCALE: N.T.S.



TYPICAL REINF. @ CORNER OF MASONRY
SCALE: N.T.S.



CONTROL JOINT @ BOND BEAM
SCALE: N.T.S.



NOTES: (1) WHERE HORIZ. REINFORCEMENT IS INTERRUPTED BY OPENING OR CONTROL JOINT, PROVIDE STANDARD ACI HOOK WITH VERT. WALL REINF. IN VERT. REINF. REF. WALL SECTIONS 5-3. 2. SPICES IN VERT. REINF. OVER OPENING. ANCHOR VERT. REINF. 3. ALL VERT. BARS AT DOOR JAMBS TO BE FULL HEIGHT. 4. CONTINUE VERT. WALL REINF. OVER OPENING. ANCHOR VERT. REINF. INTO LINTEL BEAM WITH STANDARD ACI HOOK FOR OPENING EACH SIDE. 5. FOR STRAIGHT LINTEL REINF. AND 1'-0\"/>

TYPICAL MASONRY WALL OPENING DIAGRAM
SCALE: N.T.S.

REVISIONS		DATE
#	DESCRIPTION	

RAINFOREST CARWASH			
5026 HARDY ST. HATTIESBURG, MISSISSIPPI			
JOB No:	2176	DATE:	06-28-2013
DRAWN BY:	JTL	CHECKED BY:	CD

DAMMON
ENGINEERING, INC.

CHIEF ENGINEER, EMMETT DAMMON, P.E.
554 OLD SPANISH TRAIL
SLIDELL, LA 70458

dammonengineering.com
dammoneng@bellsouth.net
PHONE: 985-649-5832
FAX: 985-641-5950

CARWASH
FOUNDATION
DETAILS

SHEET No: 6 OF 22

S-2