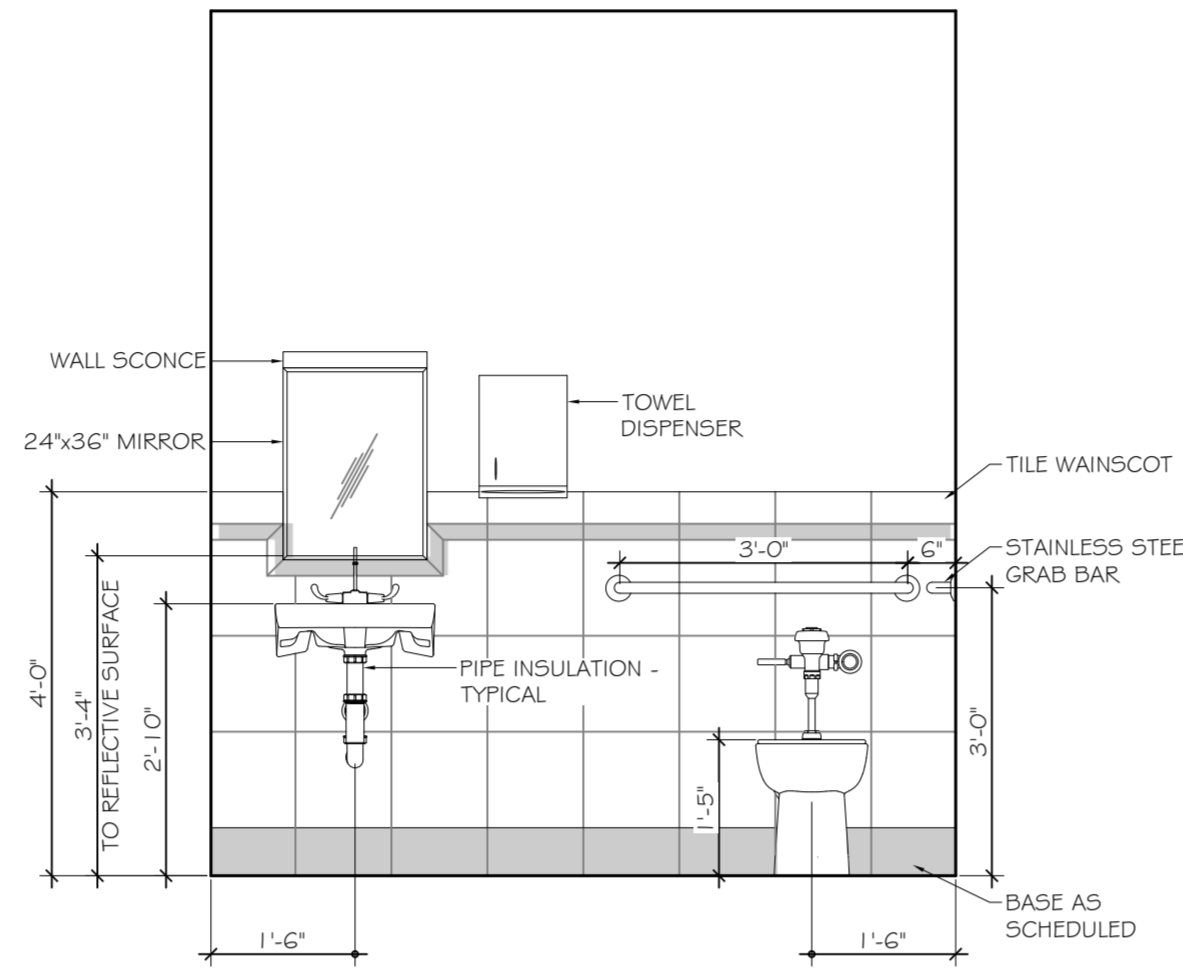
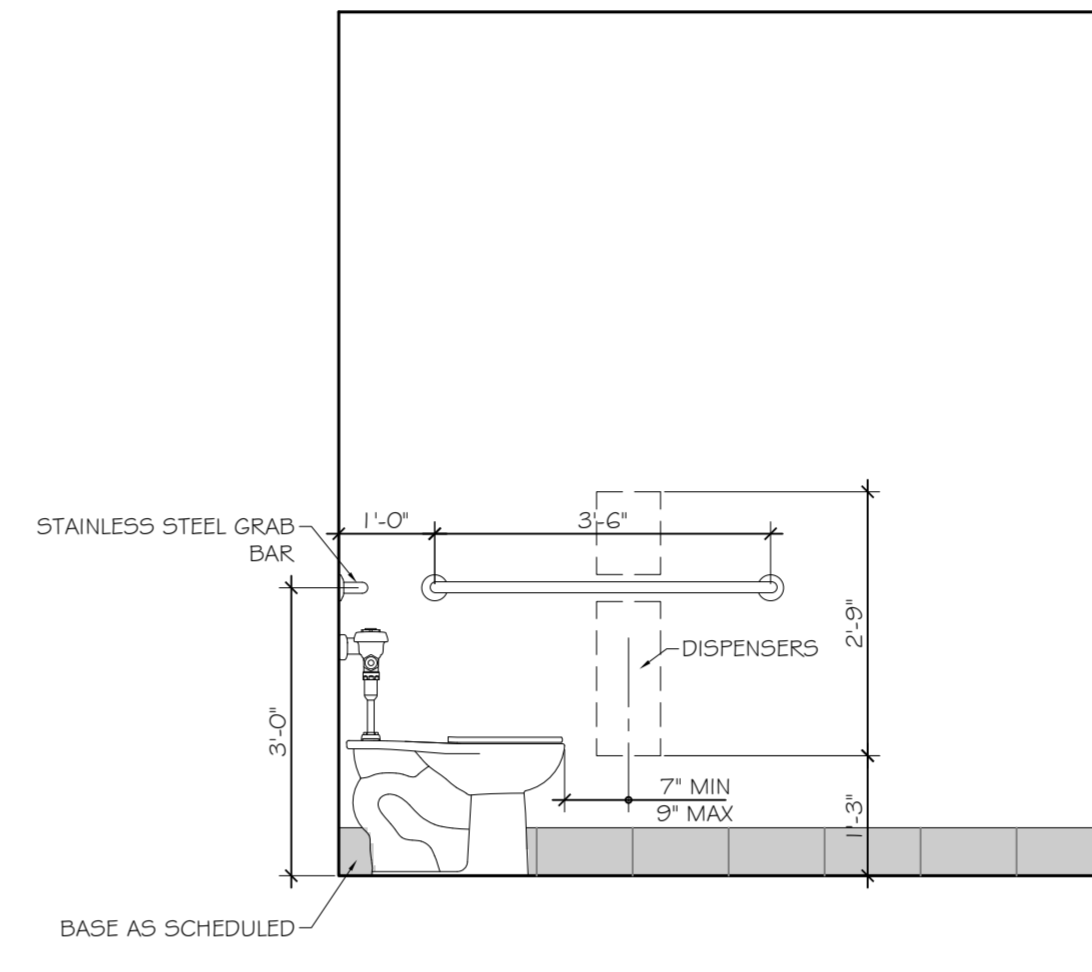


**DOOR SCHEDULE**

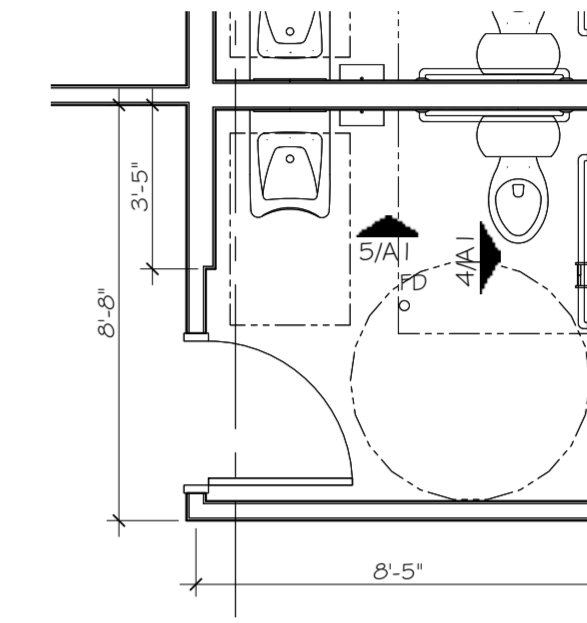
MK	SIZE	TYPE	DOOR MATERIAL	FRAME MATERIAL	FRAME TYPE	FR	REMARKS
A101A	2'-3"-0" x 7'-0"	C	ALUM/GLASS	ALUM	F1	NR	ALUM STOREFRONT SYSTEM
A103A	2'-3"-0" x 7'-0"	C	ALUM/GLASS	ALUM	F1	NR	ALUM STOREFRONT SYSTEM
A104A	3'-0" x 7'-0"	B	ALUM/GLASS	ALUM	F3	NR	ALUM STOREFRONT SYSTEM
A104B	3'-0" x 7'-0"	B	ALUM/GLASS	ALUM	F3	NR	ALUM STOREFRONT SYSTEM
A105A	3'-0" x 7'-0"	B	ALUM/GLASS	ALUM	F3	NR	ALUM STOREFRONT SYSTEM
A105B	3'-0" x 7'-0"	B	ALUM/GLASS	ALUM	F2	NR	ALUM STOREFRONT SYSTEM
A106A	3'-0" x 7'-0"	B	ALUM/GLASS	ALUM	F3	NR	ALUM STOREFRONT SYSTEM
A106B	3'-0" x 7'-0"	B	ALUM/GLASS	ALUM	F2	NR	ALUM STOREFRONT SYSTEM
A107A	A107A	B	ALUM/GLASS	ALUM	F3	NR	ALUM STOREFRONT SYSTEM
A107B	A107B	B	ALUM/GLASS	ALUM	F2	NR	ALUM STOREFRONT SYSTEM
A108A	3'-0" x 7'-0"	A	SC WOOD	HOLLOW METAL	F4	NR	
A109A	3'-0" x 7'-0"	A	SC WOOD	HOLLOW METAL	F4	NR	
A110A	3'-0" x 7'-0"	A	SC WOOD	HOLLOW METAL	F4	NR	
A111A	3'-0" x 7'-0"	A	SC WOOD	HOLLOW METAL	F4	NR	
A112A	2'-0" x 7'-0"	D	INSULATED METAL	HOLLOW METAL	F4	NR	GALV METAL SECURITY DOOR



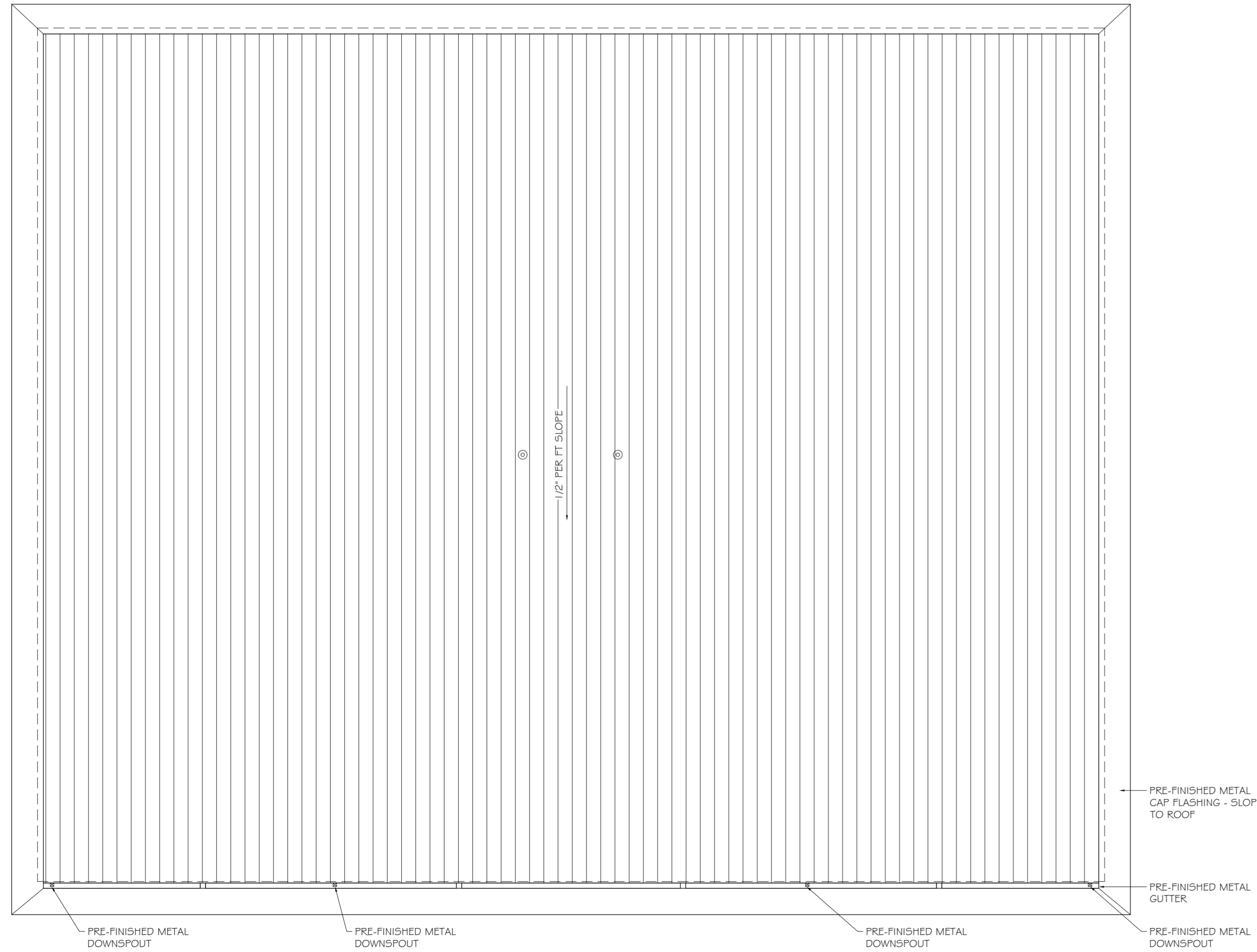
**5 INTERIOR ELEVATION - TYPICAL RESTROOM**  
SCALE: 1/2" = 1'-0"



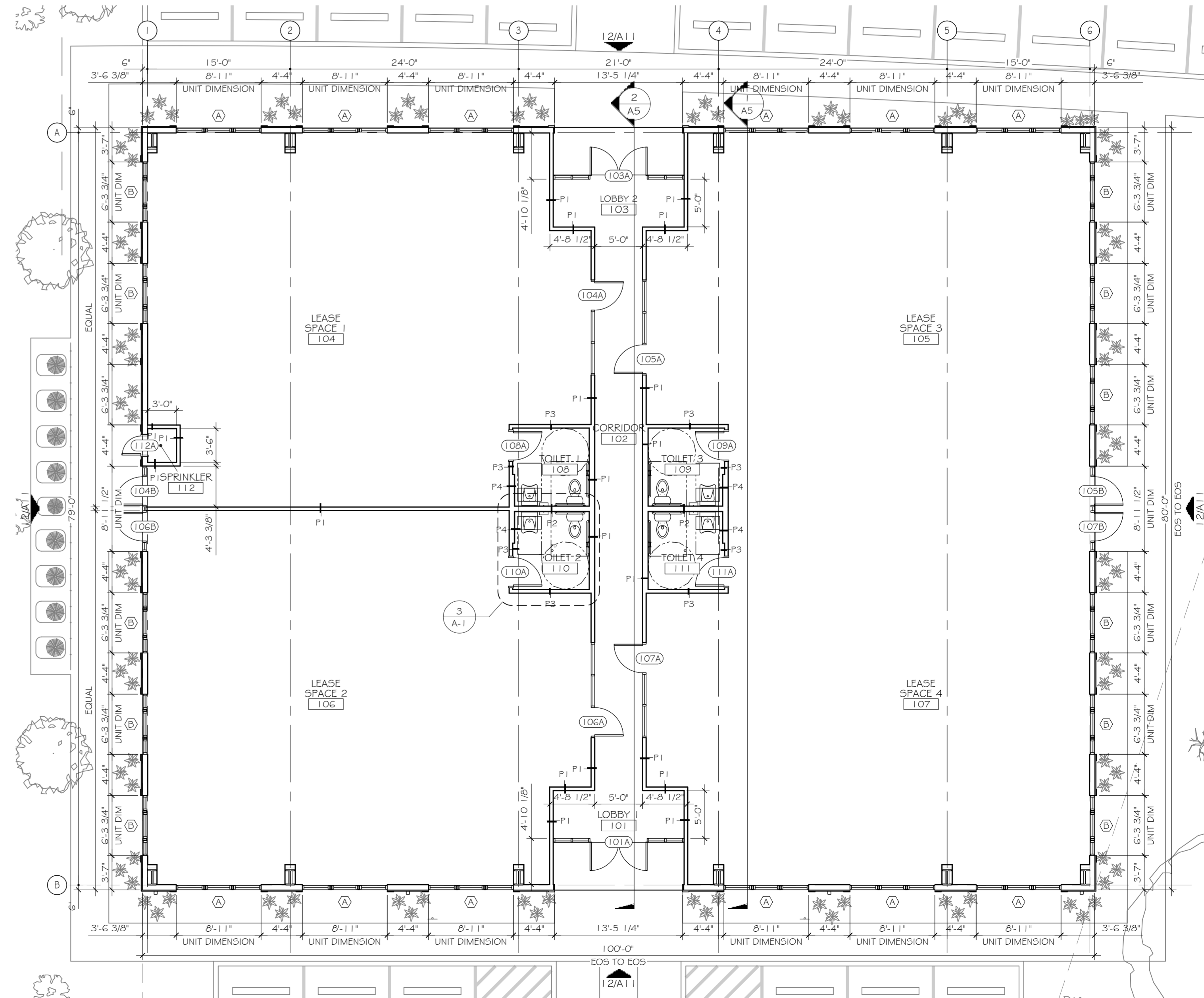
**4 INTERIOR ELEVATION - TYPICAL RESTROOM**  
SCALE: 1/2" = 1'-0"



**3 ENLARGED FLOOR PLAN - TYPICAL RESTROOM**  
SCALE: 1/4" = 1'-0"



**2 ROOF PLAN**  
SCALE: 1/4" = 1'-0"



**1 FLOOR PLAN**  
SCALE: 1/4" = 1'-0"



Architects & Engineers  
 DAMMON ENGINEERING, INC.  
 ARCHITECTS & ENGINEERS  
 554 OLD SPANISH TRAIL  
 SUITE 100  
 SUDELL, LA 70455  
 PHONE: 985-649-5432  
 FAX: 985-641-5950

NEW COMMERCIAL BUILDING  
**DR. FARHAD ADULI**  
 LOT 288 MARGOLD DRIVE  
 COVINGTON, LA  
 JOB No: 2178 DATE: 09-03-2013  
 DRAWN BY: BSN CHECKED BY: BSN

#	DESCRIPTION	REVISIONS	DATE

FLOOR PLANS,  
 ROOF PLAN,  
 INT. ELEV. &  
 DOOR SCHED.

SHEET No: 11 of 22

**A1**