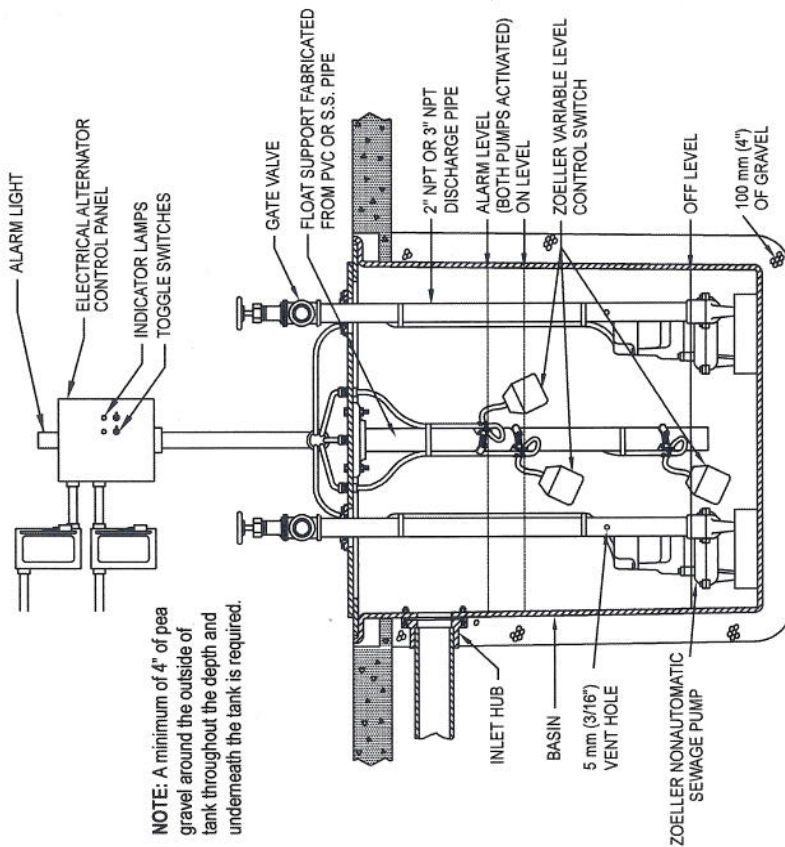


**SEWAGE DUPLEX SYSTEM WITH ELECTRICAL ALTERNATOR
(SINGLE OR THREE PHASE)**



NOTE: A minimum of 4" of pea gravel around the outside of tank throughout the depth and underneath the tank is required.

**SEWAGE DUPLEX SYSTEM WITH ELECTRICAL ALTERNATOR
(SINGLE OR THREE PHASE) TOP VIEW**

