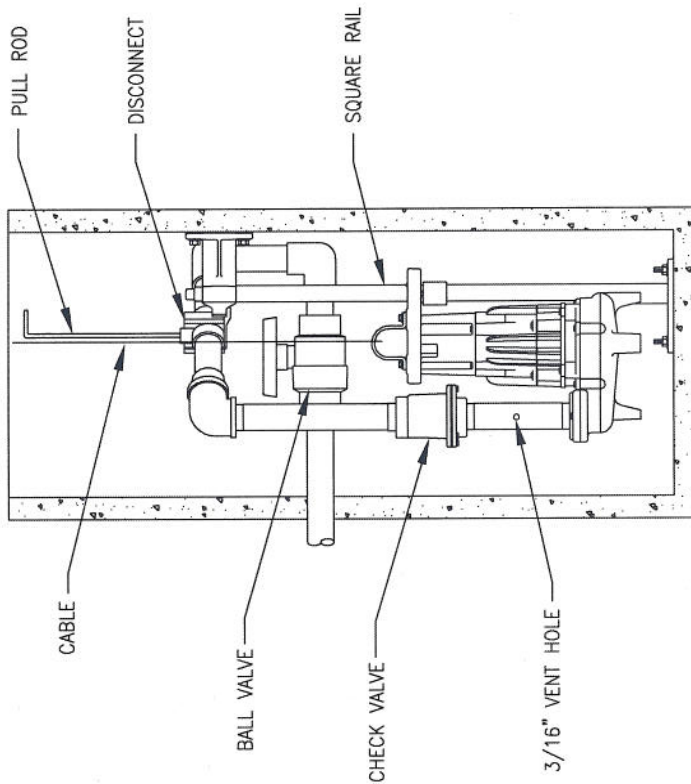
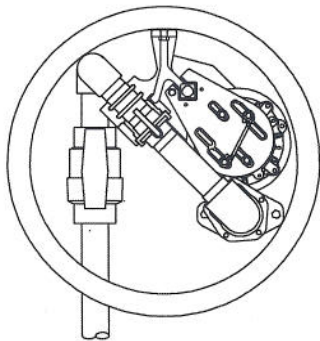
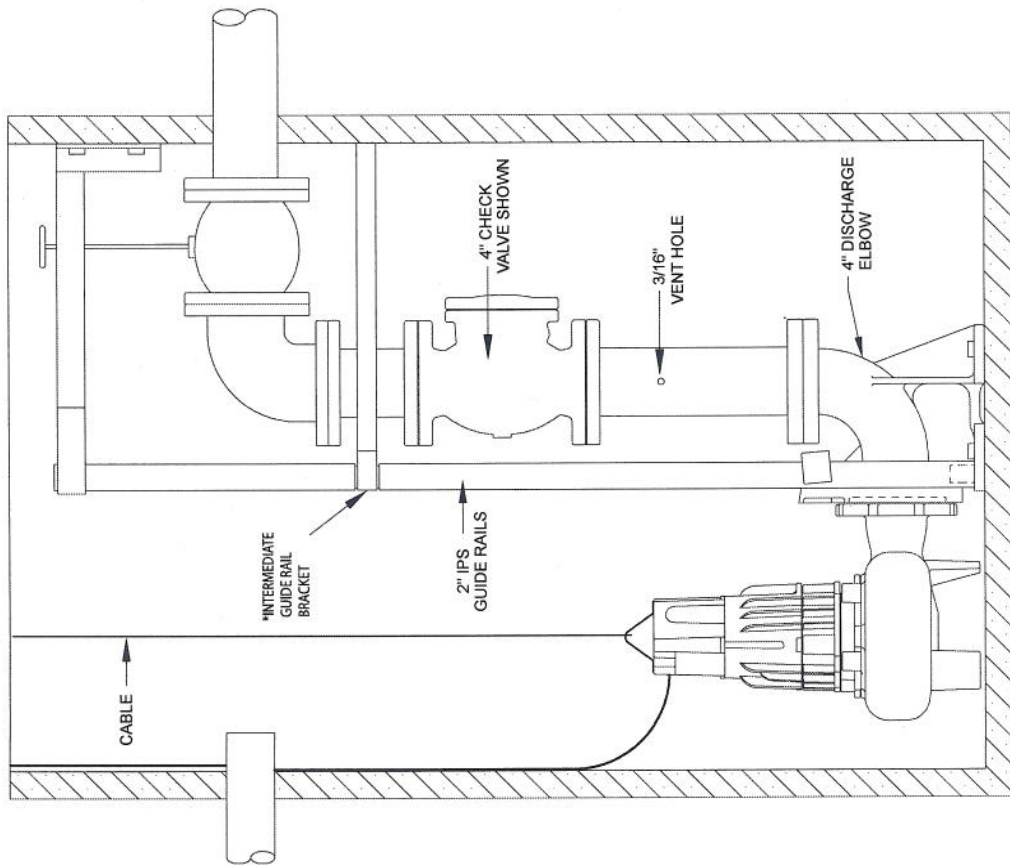


SQUARE RAIL SYSTEM



SK1650

404/405, 4404/4405 AND SEWAGE/WASTE GUIDE RAIL SYSTEMS



SK1100