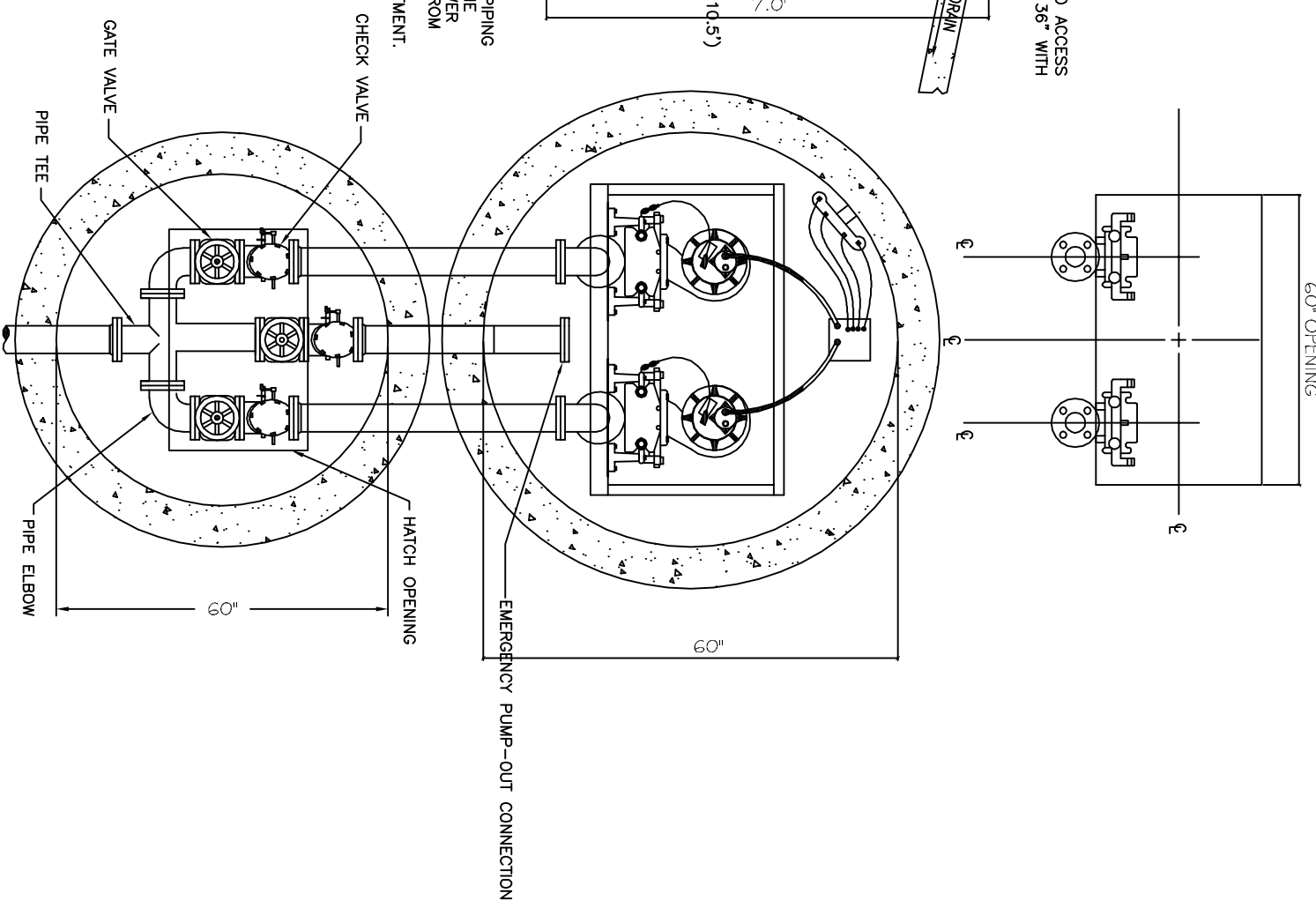


PUMP DATA
 DUPLEX GRINDER PUMPS
 40 GPM @ 40 TDH
 WITH 2 H.P. 3750 R.P.M. MOTORS
 ZOELLER 840

DUPLEX LIFT STATION DETAIL
 NOT TO SCALE

- * CONCRETE STRENGTH IS 4,800 PSI @ 28 DAYS
- * STRUCTURE JOINTS TO BE SEALED WITH FLAT BUTYL SEALANT (CONSAL)
- * REINFORCEMENT STEEL MEETS HS-20 LOADING REQUIREMENTS



REVISIONS		
#	DESCRIPTION	DATE

DREAMLAND MOBILE HOME PARK
 ALLIE ESSENCE LANE
 NICHOLSON, MISSISSIPPI

JOB No: 2182 DATE: 05-19-2014

DRAWN BY: CKD CHECKED BY: BM

The above drawings and specifications, design and arrangements, represent the property of Dammon Engineering, Inc. and shall remain the property of Dammon Engineering, Inc. No part thereof shall be copied, altered, or reproduced in any form or by any means, without the prior written consent of Dammon Engineering, Inc. Dammon Engineering, Inc. shall not be held responsible for any errors or omissions in these drawings or specifications and shall not be held responsible for any consequences of any use of these drawings or specifications other than those intended by Dammon Engineering, Inc.

DAMMON ENGINEERING, INC.
Architects & Engineers

CHIEF ENGINEER: BRIAN MISTICH, P.E.
 CHIEF ARCHITECT: KEVIN KINCHEN

554 OLD SPANISH TRAIL
 SLIDELL, LA 70458

dammonengineering.com
 dammoneng@bellsouth.net
 PHONE: 985-644-5802
 FAX: 985-641-5950

SEWER LIFT STATION

SHEET NO: 03 OF 04

C2A