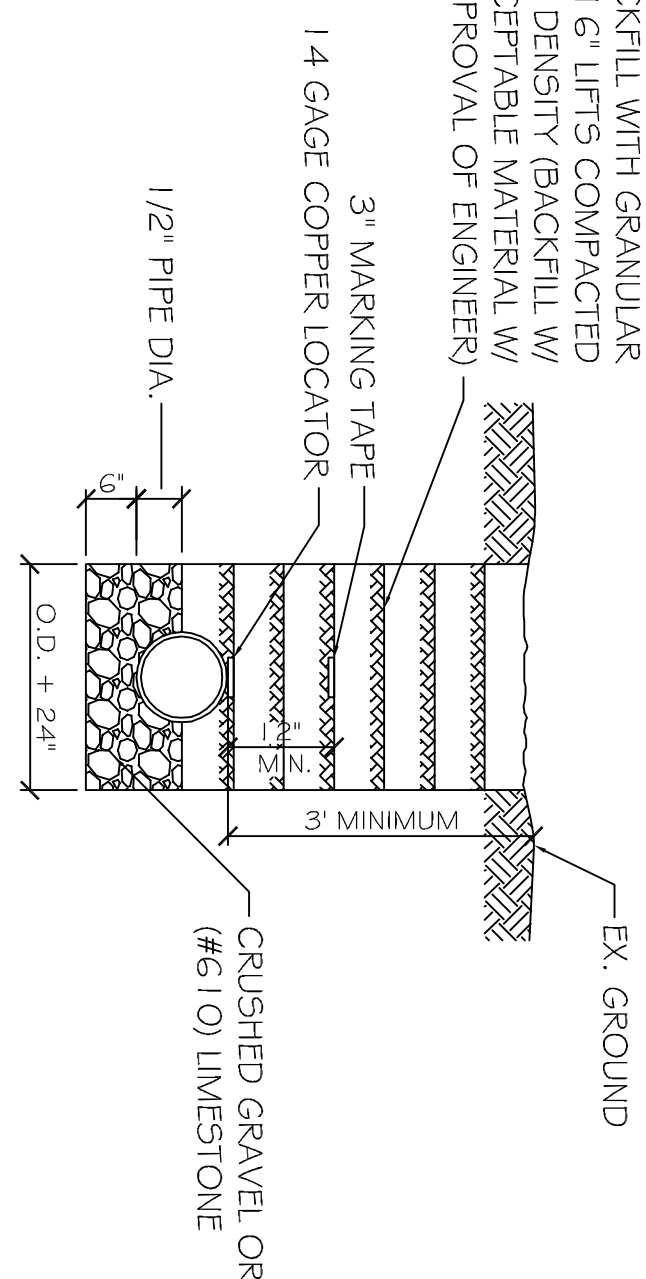
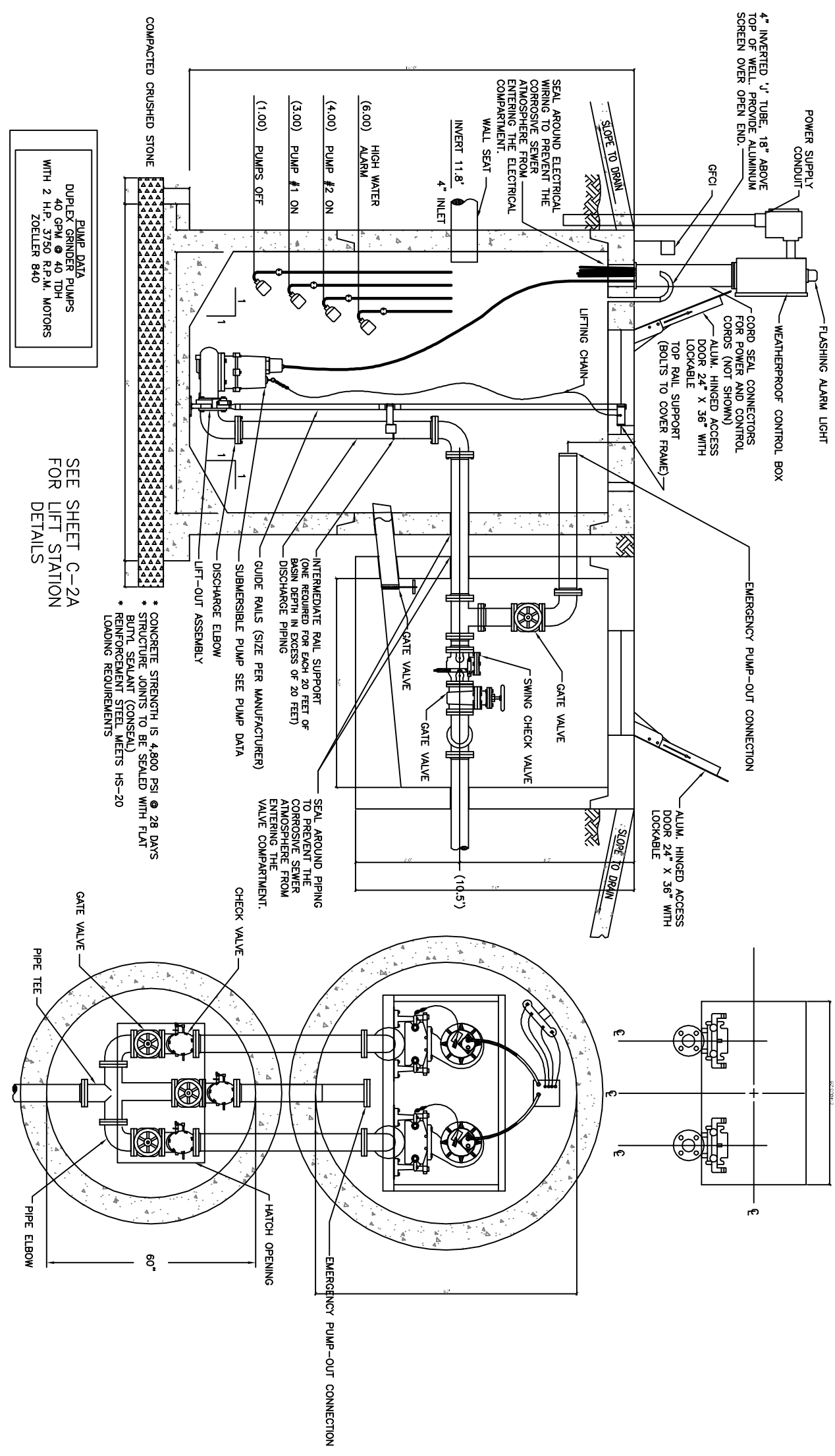


BACKFILL WITH GRANULAR MATERIAL IN 6" LIFTS COMPACTED TO 95% DENSITY (BACKFILL W/ EXIST. ACCEPTABLE MATERIAL W/ APPROVAL OF ENGINEER)

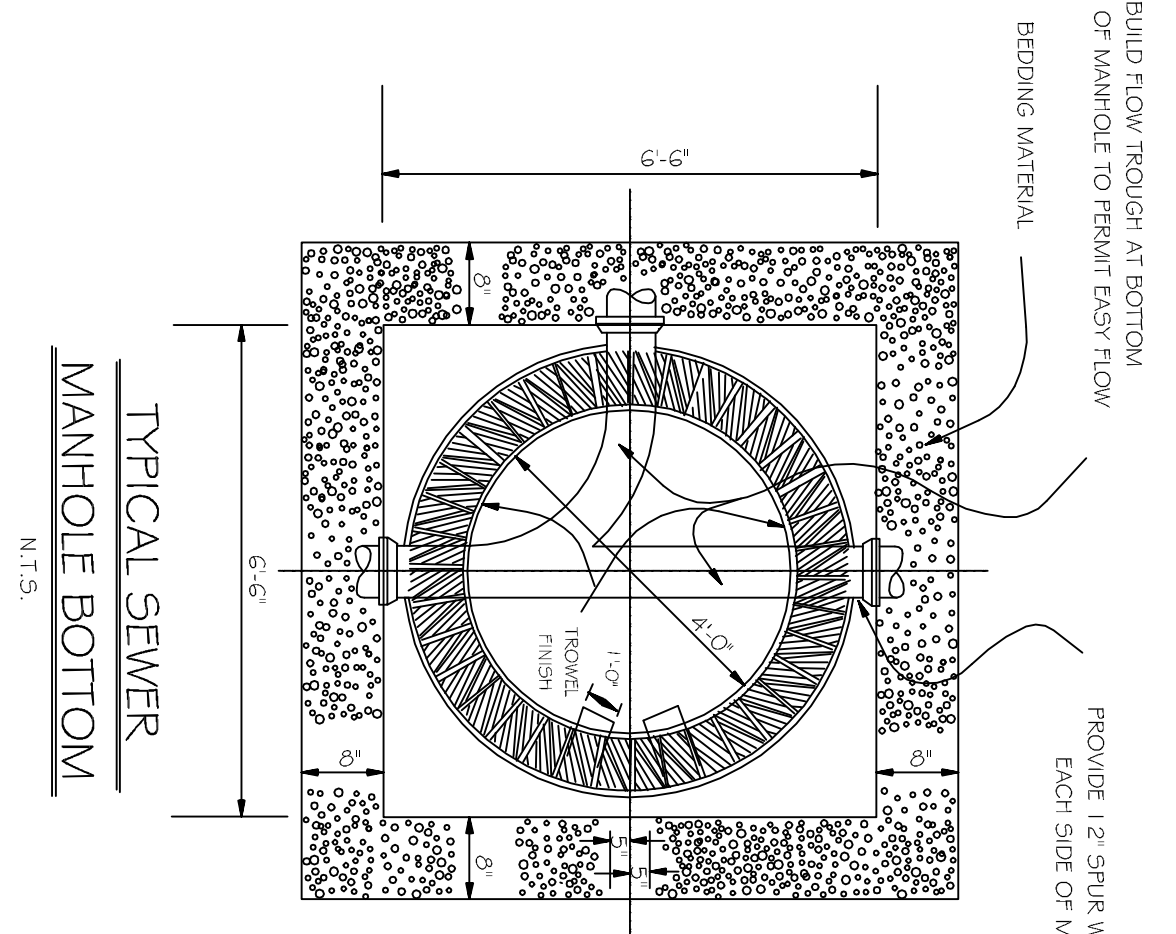


NOTE: A MINIMUM 1'0" HORIZ. AND 1'8" VERT. SEPARATION (WITH WATER MAIN ON TOP) IS REQUIRED BETWEEN WATER AND SEWER LINES.

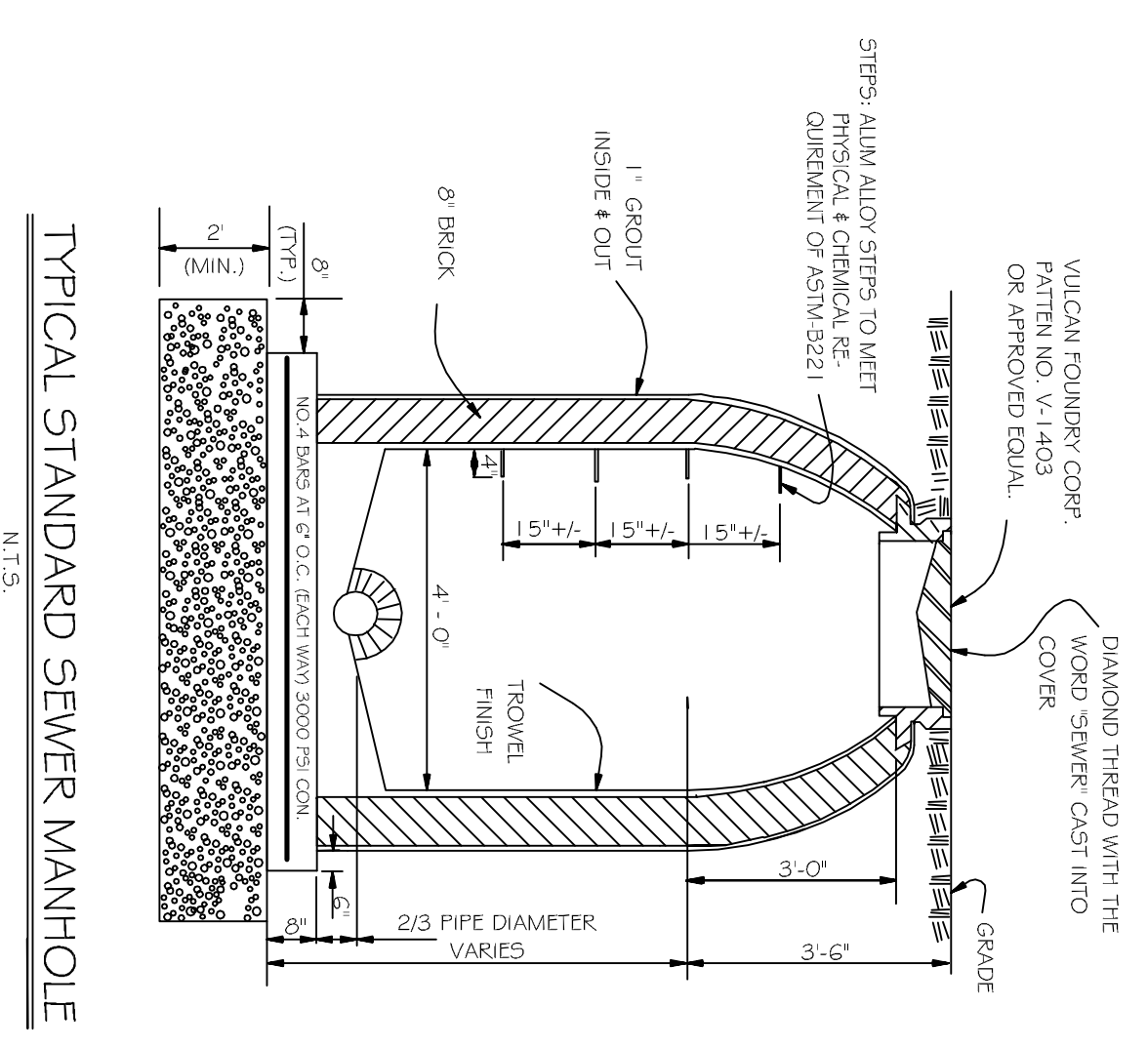
PIPE MAIN BEDDING DETAIL FOR SEWER AND WATER
SCALE: N.T.S.



DUPLEX LIFT STATION DETAIL
SCALE: N.T.S.

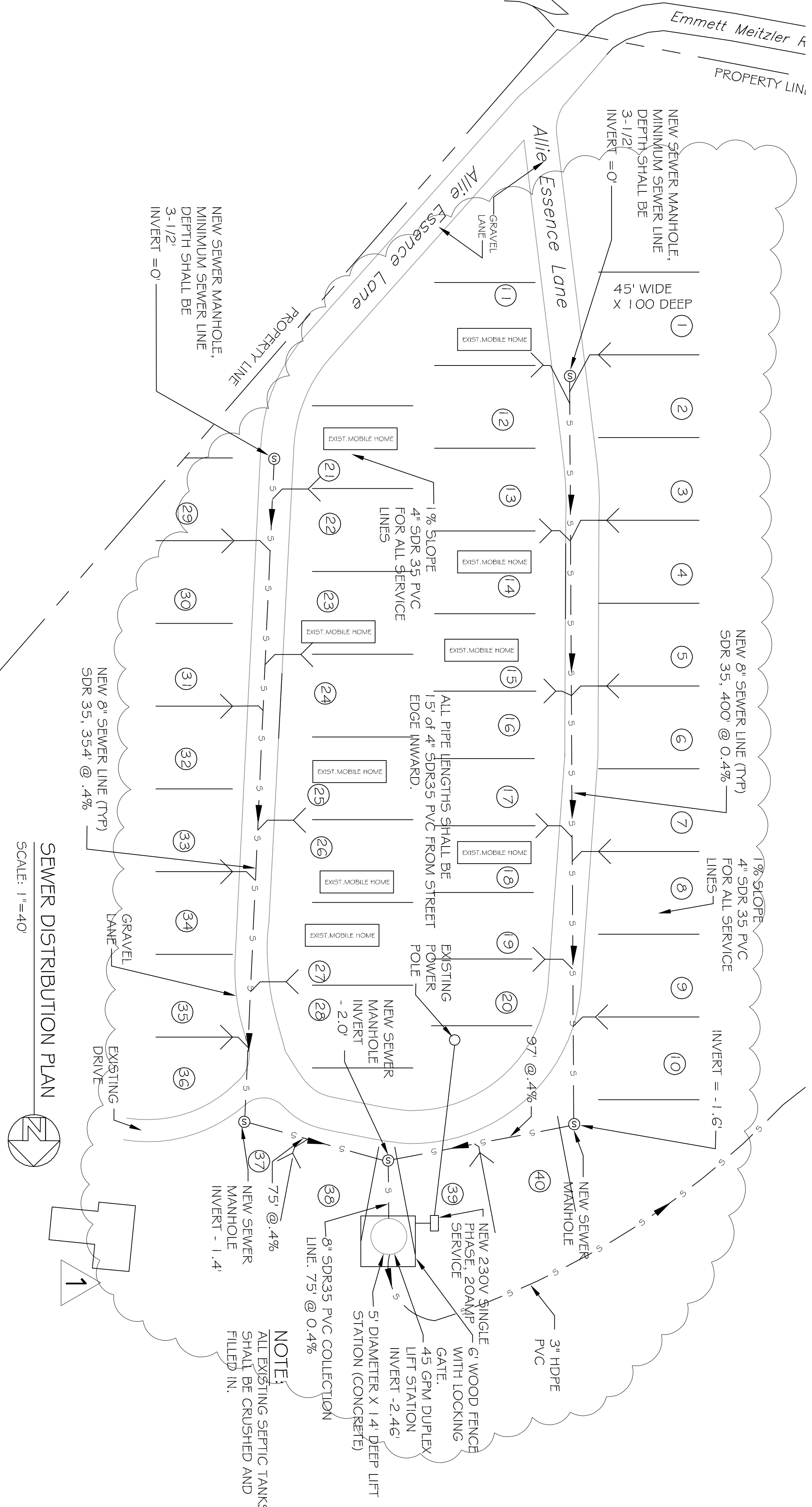


TYPICAL SEWER MANHOLE BOTTOM
N.T.S.



TYPICAL STANDARD SEWER MANHOLE
N.T.S.

EXISTING TRAILER PARK 3.4 ACRE (ADDITION OF SEWER PUMP STATION/ FORCE MAIN & POTABLE WATER MAIN TO CONNECT WITH NICHOLSON WATER & SEWER ASSOCIATION, INC.)



SEWER DISTRIBUTION PLAN
SCALE: 1"=40'

NOTE:

- 1) OWNER SHALL IDENTIFY ALL TRAILER SPACING FOR CONTRACTOR TO LAYOUT SEWER WORK.
- 2) ALL PIPE LENGTHS SHALL BE 15' OF 4" SDR35 PVC FROM STREET EDGE INWARD.

GENERAL NOTES:

1. PROVIDE ALL LABOR, MATERIAL AND EQUIPMENT FOR A COMPLETE OPERATING SYSTEM.
2. ALL WORKS AND MATERIAL SHALL CONFORM STRICTLY TO THE LATEST LOCAL, CITY, COUNTY, STATE AND NATIONAL GOVERNING CODES.
3. CONTRACTOR IS TO FIELD VERIFY ALL EXISTING UTILITY LOCATIONS, ELEVATIONS AND SIZES PRIOR TO COMMENCING ANY WORK. CONTRACTOR SHALL PAY NECESSARY FEES FOR THE UTILITIES CONNECTIONS.
4. CONTRACTOR IS RESPONSIBLE TO SET NEW INVERTS OF SEWERAGE PIPES.
5. 4-INCH SEWER LINES SHALL BE SLOPED 1/8" PER FOOT.
6. TEST ALL PIPING AT REQUIRED PRESSURE.
7. ALL PUMPING SHALL BE CLOSELY COORDINATED WITH WATER SYSTEM.
8. ALL SEWER LINES SHOWN ARE DIAGRAMATIC.
9. ALL SEWER LINES SHOWN ARE DIAGRAMATIC.
10. MINIMUM PIPE BURIAL SHALL BE 3'-0"

LEGEND:

40 DENOTES TRAILER COUNT

NOTE:
ALL EXISTING SEPTIC TANKS SHALL BE CRUSHED AND FILLED IN.

AS-BUILT
07-5-16

REVISIONS		
#	DESCRIPTION	DATE
1	RELOCATED SEWER CLOSE TO STREET	07-05-16

DREAMLAND MOBILE HOME PARK
ALLIE ESSENCE LANE
NICHOLSON, MISSISSIPPI

JOB No: 2182 DATE: 05-19-2014
DRAWN BY: CKD CHECKED BY: BM



DAMMON ENGINEERING, INC.
Architects & Engineers

CHIEF ENGINEER: BRIAN MISTICH, P.E.
CHIEF ARCHITECT: KEVIN KINCHEN
554 OLD SPANISH TRAIL
SLIDEL, LA 70458
dammonengineering.com
dammoneng@bellsouth.net
PHONE: 985-649-5832
FAX: 985-641-5850

SEWER DISTRIBUTION PLAN

SHEET NO: 02 OF 04

C2