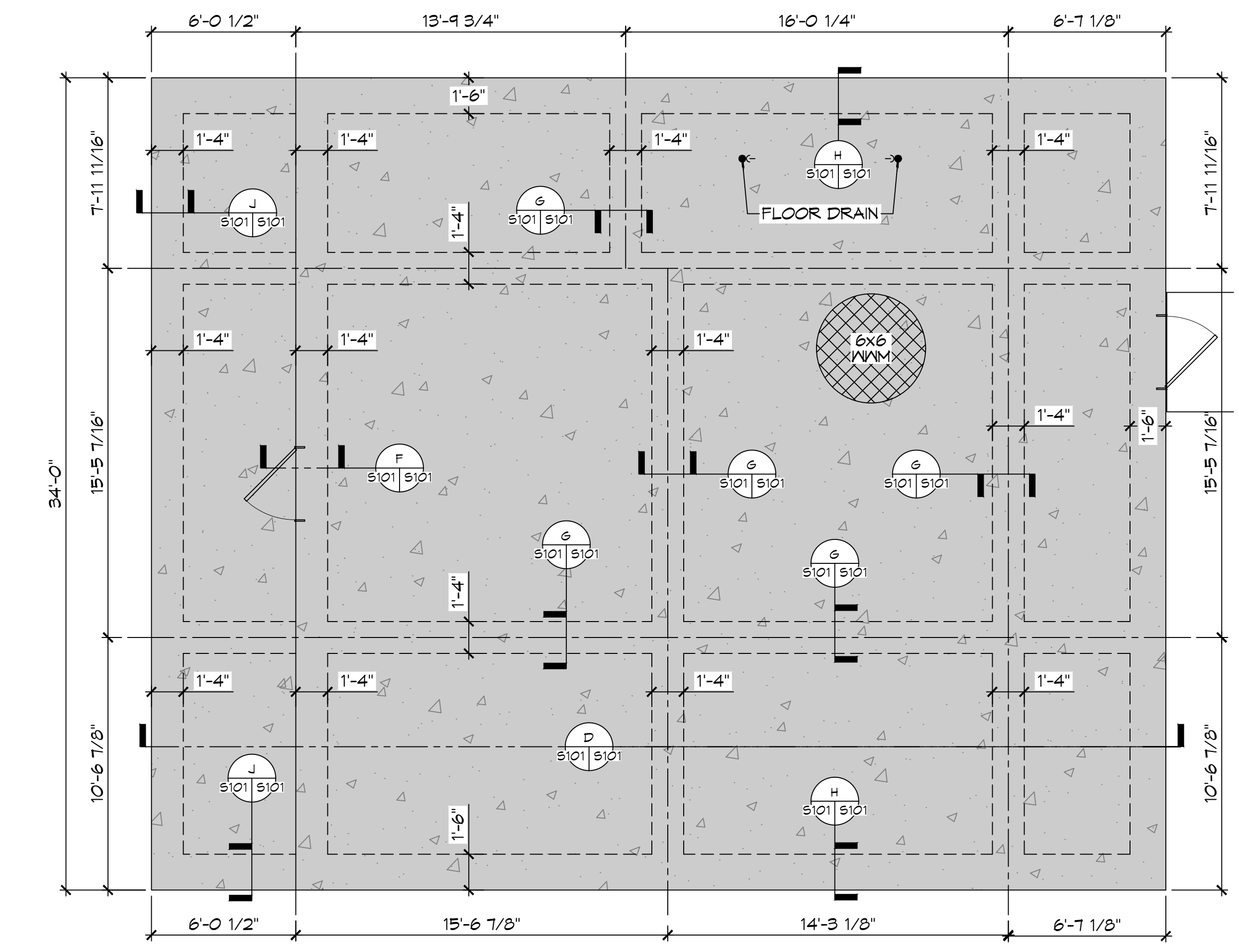
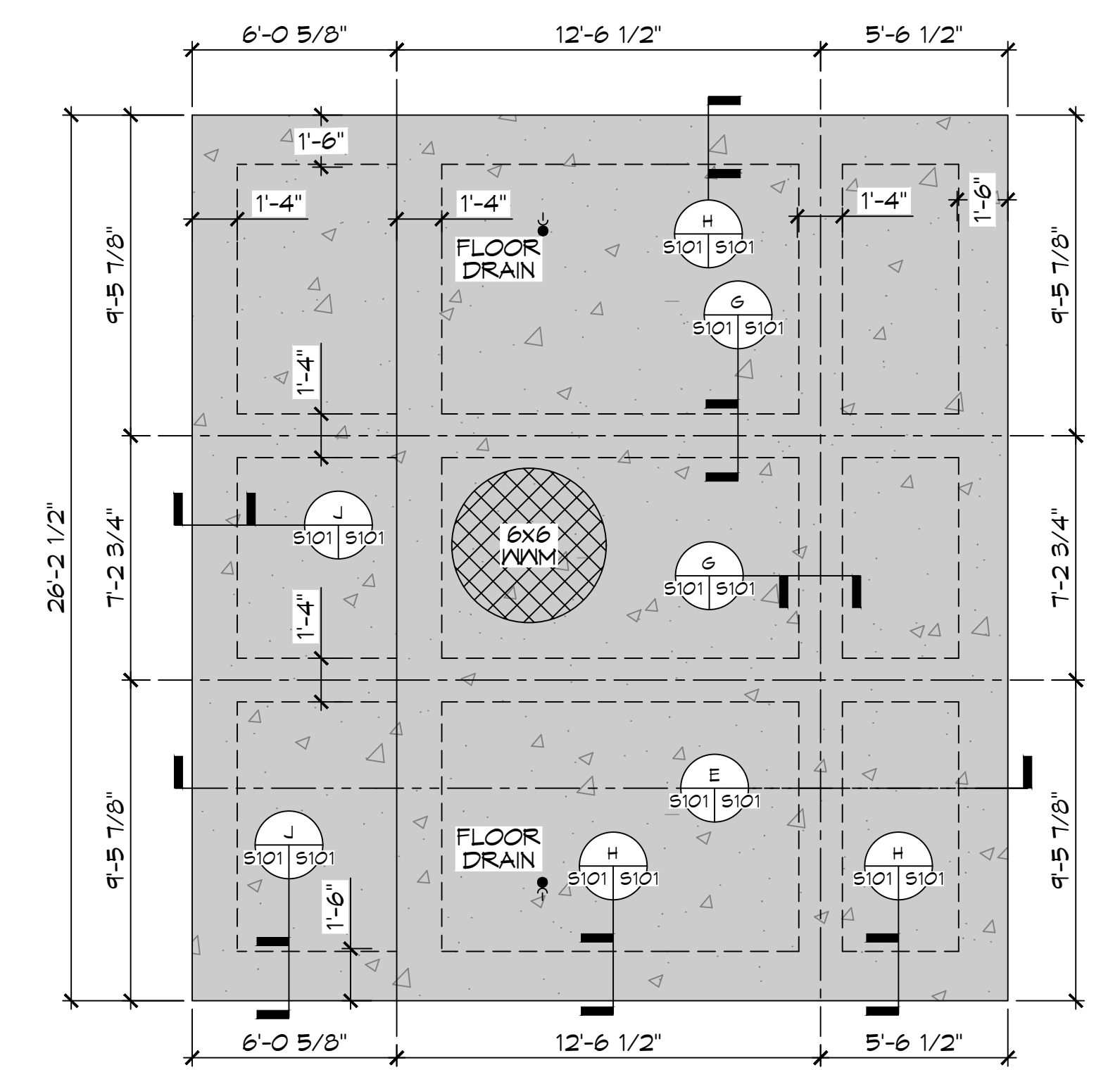


FILE NAME: J:\1 - Commercial\3433 - Park Meadows IV, aka US General Contractors\3101 - Building Foundation Plans - R02.dwg, DATE: 04-11-2022, 2:52:37 PM



**13 OFFICE FOUNDATION PLAN**  
SCALE: 1/4"=1'-0"



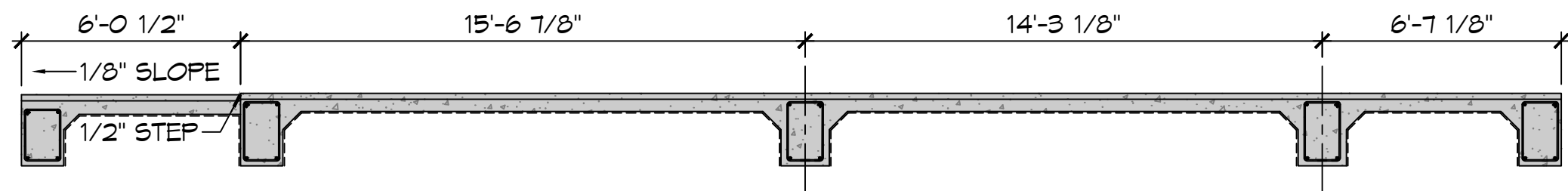
**14 RESTROOM FOUNDATION PLAN**  
SCALE: 1/4"=1'-0"

**GENERAL FOUNDATION NOTES**

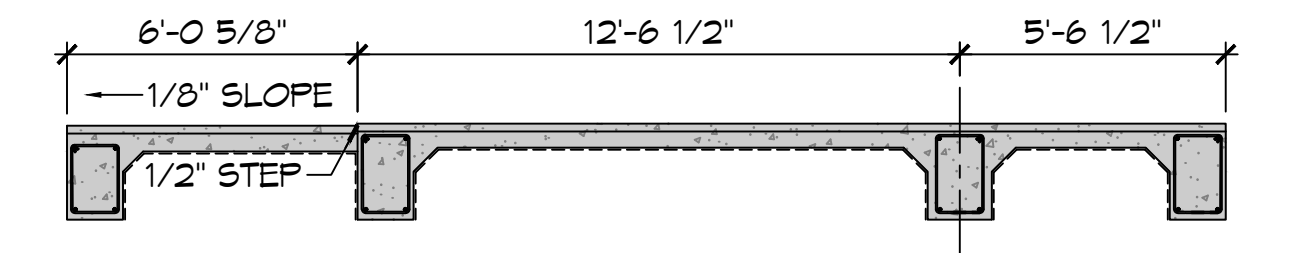
1. ALL DIMENSIONS ARE EDGE OF CONCRETE (EOC) TO EDGE OF CONCRETE (EOC) UNLESS NOTED OTHERWISE.
2. VERIFY ALL PLUMBING ROUGH-IN LOCATIONS ON ARCHITECTURAL DWGS.
3. CONCRETE MIX SHALL HAVE A MINIMUM COMPRESSIVE STRENGTH OF 4000 PSI AT 28 DAYS. CONCRETE MIX SHALL BE IN ACCORDANCE WITH ACI-318.
4. ALL CONVENTIONAL REINFORCING STEEL SHALL MEET ASTM-A615 (GRADE 60).
5. ONE LAYER OF POLYETHYLENE VAPOR BARRIER SHALL BE PLACED UNDER ALL CONCRETE. VAPOR RETARDER TO BE MINIMUM 10 MIL THICKNESS, ASTM E 1745 CLASS A, PERMEANCE LESS THAN 0.01 PERMS, EQUAL TO STEGO INDUSTRIES STEGO WRAP, EGOSHELD E-15 MIL BY EPRO, OR RONBAR 15 BY FLATIRON FILMS. PROVIDE APPROPRIATE ACCESSORIES FOR A COMPLETE SYSTEM.
6. ALL REINFORCING STEEL AND MESH SHALL BE SECURELY SUPPORTED TO PREVENT BOTH VERTICAL AND HORIZONTAL MOVEMENT DURING CONCRETE PLACEMENT.
7. THE CONTRACTOR SHALL VERIFY ALL DROPS, OFFSETS, BRICK LEDGES, DIMENSIONS AND CONFIGURATIONS. CONTRACTOR MUST BE RESPONSIBLE FOR SAME.
8. GRADE BEAM DIMENSIONS MAY VARY BY -5%, +20%.
9. NEW SPREAD CONCRETE FOOTINGS AND CONTINUOUS FOOTINGS BEARING ON COMPACTED STRUCTURAL FILL AT LEAST 2 FEET BELOW FINISHED GRADE, SHOULD BE DESIGNED FOR MINIMUM NET ALLOWABLE BEARING PRESSURES OF 1200 PSF AND 2000 PSF, RESPECTIVELY, BASED ON DEAD LOADS AND DESIGN LIVE LOADS.
10. ALL SOIL BELOW SLAB SHALL RECEIVE TERMITE TREATMENT.

**DAMMON ENGINEERING, INC.**  
 LOUISIANA & MISSISSIPPI  
 Chief Engineer: Brian Mirtich, PE  
 554 Old Spanish Trail  
 Slidell, LA 70458  
 www.dammonengineering.com  
 info@dammonengineering.com  
 PH: 985.649.5832

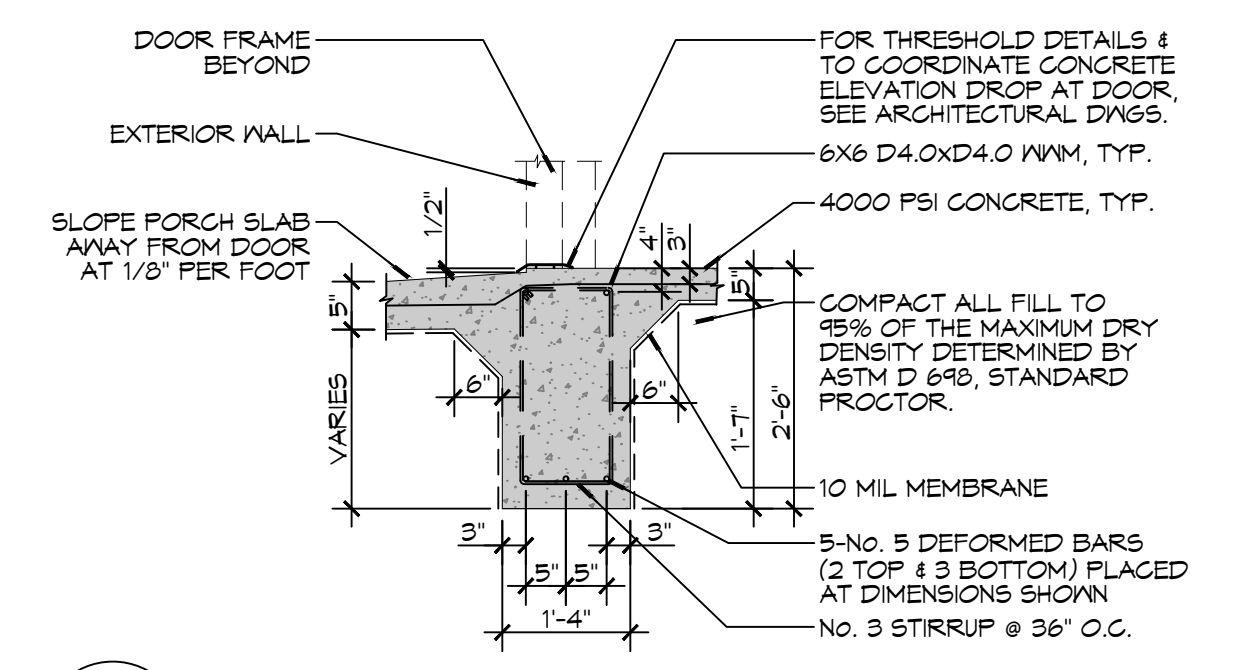
#	DESCRIPTION	DATE



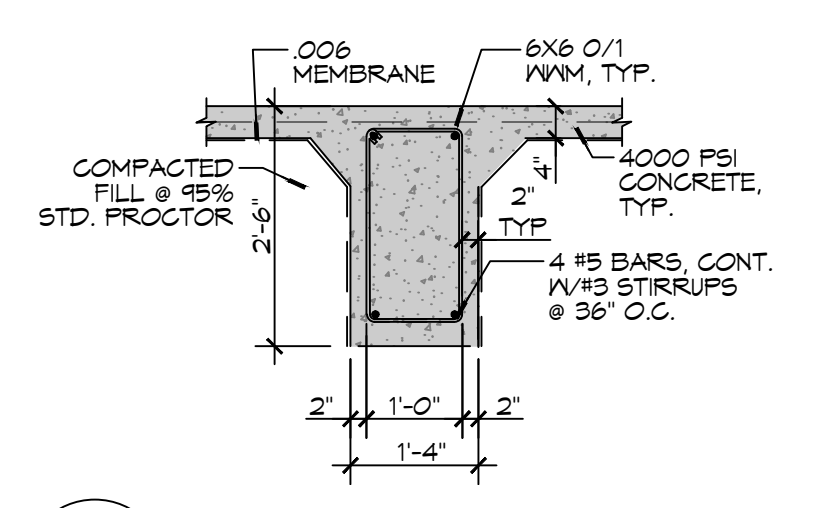
**D SECTION**  
SCALE: 1/4"=1'-0"



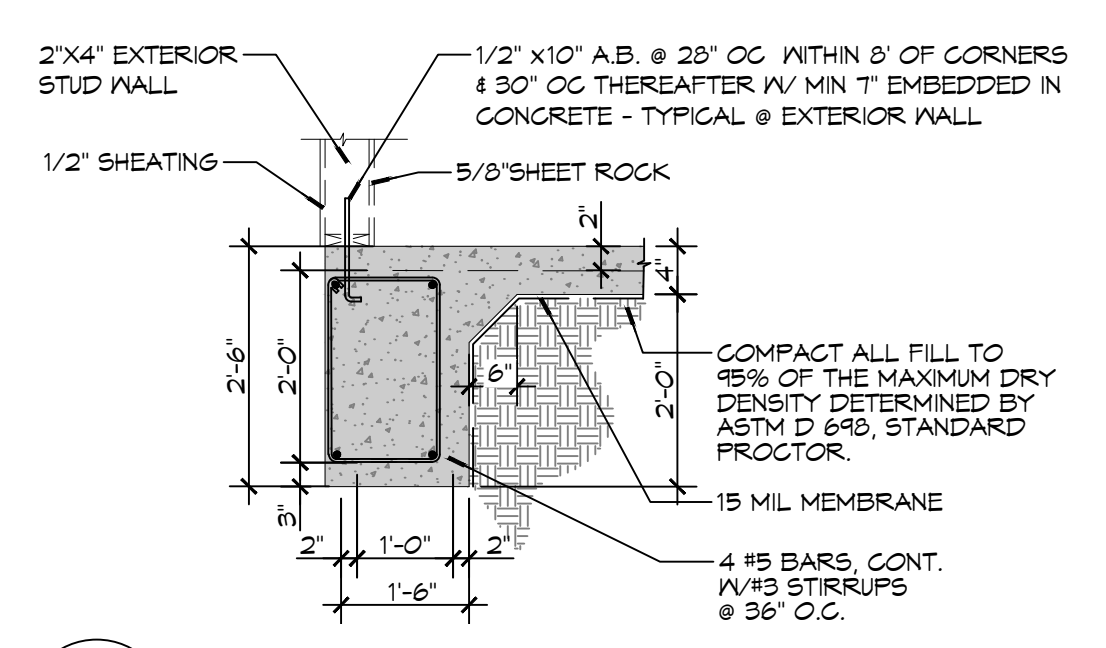
**E SECTION**  
SCALE: 1/4"=1'-0"



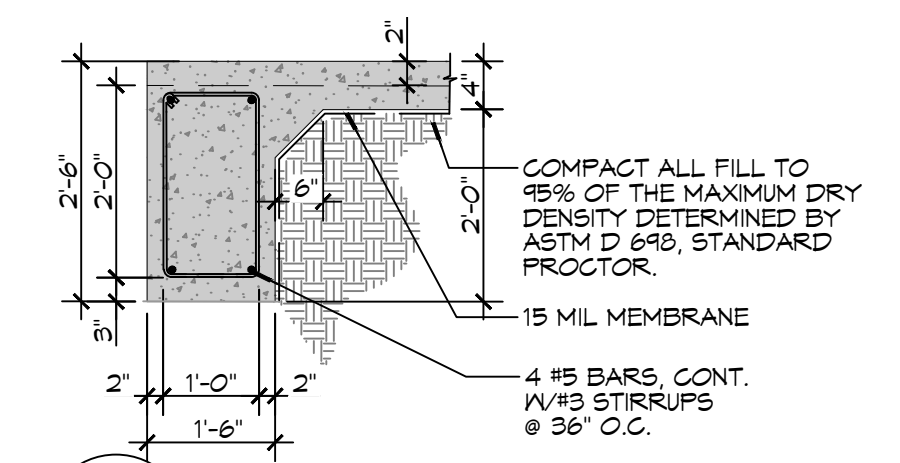
**F SECTION**  
SCALE: 1/2"=1'-0"



**G SECTION**  
SCALE: 1/2"=1'-0"



**H SECTION**  
SCALE: 1/2"=1'-0"



**J SECTION**  
SCALE: 1/2"=1'-0"

NEW RECREATIONAL R/V SITE  
**EXIT 1 R.V. LLC.**  
 CLAYE WETZER ROAD  
 INCHALCO, MS 38951  
 JOB No: 2436 DATE: 04-11-2022  
 DRAWN BY: TNT CHECKED BY: BAY

SHEET TITLE: FOUNDATION PLAN  
 DRAWING NUMBER:  
**S101**  
 SHEET No: 9 of 19