

SPECIFIC NOTES

- 1. EXISTING ELECTRICAL SERVICE.

ELECTRICAL ONELINE DIAGRAM

NOT TO SCALE

SPECIFICATIONS

- THIS DOCUMENT HAS BEEN PREPARED BY ME AND/OR UNDER MY SUPERVISION AND IT COMPLIES, TO THE BEST OF MY KNOWLEDGE AND BELIEF, WITH LOCAL AND STATE CODE REQUIREMENTS.
- ELECTRICAL WORK SHALL BE IN ACCORDANCE WITH THE NATIONAL ELECTRICAL CODE (NEC 2014 EDITION), STATE AND CITY REGULATIONS AND ORDINANCES.
- ALL ELECTRICAL SYSTEMS, EQUIPMENT, AND COMPONENTS SHALL BE LOCATED AT OR ABOVE THE BASE FLOOD ELEVATION OR GRADE ELEVATION, WHICHEVER IS HIGHER, AS PER INTERNATIONAL 2012 ARTICLE 1612.1.
- SHORT CIRCUIT CURRENT INTERRUPTING RATINGS OF ALL CIRCUIT BREAKERS AND FUSES SHALL COMPLY WITH NEC 2014 ARTICLES 110.9, 110.10, 225.52(B), 230.82(3), 230.205(B), 230.208, 240.12, AND 240.92(C)(1).
- MATERIALS SHALL BE NEW AND U.L. APPROVED, EXCEPT AS INDICATED.
- CONTRACTOR SHALL APPLY FOR PERMITS AND PAY INSPECTION FEES. NO WORK SHALL BE CONCEALED UNTIL APPROVED BY LOCAL INSPECTOR. UPON COMPLETION, FURNISH CERTIFICATE OF APPROVAL FROM DIVISION OF REGULATORY INSPECTION AS APPLICABLE.
- CONDUCTORS SHALL BE COPPER WITH TYPE THHN/THWN INSULATION, AND SHALL BE #12 AWG OR LARGER.
- WIRING CONCEALED IN WALLS, ATTICS, OR CRAWL SPACES SHALL BE METAL CLAD CABLE.
- WIRING INSTALLED OUTDOORS SHALL BE CONTAINED IN RIGID PVC CONDUIT, UNLESS INDICATED OTHERWISE; PROVIDE SCHEDULE 80 ABOVE GROUND.
- WIRING INSTALLED EXPOSED IN DRY LOCATIONS SHALL BE CONTAINED IN ELECTRIC METALLIC TUBING WITH SET SCREW FITTINGS, UNLESS INDICATED OTHERWISE.
- RACEWAYS AND CABLES SHALL BE CONCEALED UNLESS INDICATED OTHERWISE.

- EACH BRANCH CIRCUIT AND FEEDER SHALL BE PROVIDED WITH A GROUND CONDUCTOR INSTALLED WITH THE CIRCUIT CONDUCTORS. EACH GROUND CONDUCTOR SHALL BE A GREEN INSULATED COPPER CONDUCTOR, SIZED IN ACCORDANCE WITH TABLE 250.122 OF THE NATIONAL ELECTRICAL CODE NFPA 70. THESE GROUNDING CONDUCTORS ARE NOT SHOWN ON THE DRAWINGS.
- AFTER COMPLETION OF BRANCH CIRCUIT WORK, NEW CORRECTED TYPEWRITTEN DIRECTORIES SHALL BE PROVIDED IN PANELBOARDS AND LOADCENTERS SERVING THE AREA. NEW TYPEWRITTEN DIRECTORIES SHALL ALSO BE PROVIDED FOR EXISTING ELECTRICAL PANELS.
- WALL TOGGLE SWITCHES SHALL BE MOUNTED TO HEIGHTS AS DIRECTED BY ARCHITECT. STYLE (STANDARD TOGGLE OR DECORA) AND COLOR (WHITE, IVORY, OR LIGHT ALMOND) SHALL BE AS DIRECTED BY ARCHITECT OR OWNER.
- ELECTRICAL CONTRACTOR SHALL INSTALL POWER WIRING REQUIRED FOR MECHANICAL SYSTEMS. CONTROL WIRING SHALL BE BY MECHANICAL CONTRACTOR.
- SEQUENCE, COORDINATE, AND INTEGRATE INSTALLING ELECTRICAL MATERIALS AND EQUIPMENT FOR EFFICIENT FLOW OF THE WORK. COORDINATE ELECTRICAL EQUIPMENT AND DEVICES WITH OTHER BUILDING COMPONENTS.
- COORDINATE CONNECTING ELECTRICAL SYSTEMS WITH EXTERIOR UNDERGROUND AND OVERHEAD UTILITIES AND SERVICES. COMPLY WITH REQUIREMENTS OF GOVERNING REGULATIONS, FRANCHISED SERVICE COMPANIES, AND CONTROLLING AGENCIES.
- COORDINATE REQUIRED NUMBER OF CONDUITS, SIZE OF CONDUITS, AND PULL BOX REQUIREMENTS WITH UTILITIES.
- PROVIDE BONDING AROUND CONCENTRIC AND ECCENTRIC KNOCKOUTS ON EQUIPMENT.
- PROVIDE ADDITIONAL BOXES IN RACEWAYS AS NECESSARY. LOCATIONS SHALL MEET NFPA 70.

SYMBOL SCHEDULE

	LED FIXTURE, RECESSED.
	SURFACE MOUNTED LINEAR, LED.
	LAY-IN RECESSED, LED LUMINAIRE.
	EXTERIOR GOOSENECK FIXTURE WITH LED LAMP.
	EXTERIOR WALL MOUNTED LUMINAIRE.
	EXTERIOR FLOOD.
	EXHAUST FAN, FURNISHED BY DIV 25.
	EXIT LIGHT.
	TWIN HEAD EMERGENCY BATTERY FIXTURE.
	COMBINATION EXIT AND TWIN HEAD EMERGENCY BATTERY FIXTURE.
	EXTERIOR REMOTE HEAD.
	20A/1P WALL SWITCH.
	20A THREE-WAY WALL.
	20A, 3-WIRE, 125V, GROUNDING TYPE DUPLEX RECEPTACLE, NEMA 5-20R.
	SAME AS EXCEPT MOUNTED ABOVE COUNTER AT HEIGHT AS DIRECTED.
	SAME AS EXCEPT HALF OF YOKE IS SWITCHED.
	SAME AS EXCEPT WITH GROUND FAULT INTERRUPTER.
	SAME AS EXCEPT WEATHERPROOF.
	SAME AS EXCEPT MOUNTED AS REQUIRED FOR ELECTRIC WATER COOLER.
	FLOOR RECEPTACLE, METAL, BRUSHED NICKEL PLATE.
	JUNCTION BOX 4-11/16" SQUARE OR LESS, LOCATED ABOVE ACCESSIBLE CEILING.
	SAME AS EXCEPT PROVIDE WIRING IN RACEWAY TO EACH LIGHTING FIXTURE IN THIS ROOM USING OTHER OUTLET BOXES AS SPECIFIED.
	JUNCTION BOX OR WIREWAY, LARGER THAN 4-11/16".
	LOADCENTER OR PANELBOARD.
	LIGHTING CONTACTOR, 4-POLE, 30A.
	TIME CLOCK.
	PHOTOELECTRIC SWITCH.
	DATA/TELEPHONE OUTLET. NUMERAL INDICATES THE NUMBER OF CAT5 DROPS TO LOCATION; PROVIDE CAT 5 TO TELEPHONE DEMARCATION.
	TV LOCATION, PROVIDE COAX CABLE TO CATV DEMARCATION.
	SAFETY SWITCH.
	WIRING IN RACEWAY CONCEALED OVERHEAD OR IN WALLS. CROSSBARS INDICATE NUMBER OF CONDUCTORS IF MORE THAN TWO. REQUIRED GREEN EQUIPMENT GROUNDING CONDUCTOR IS NOT SHOWN AS A CROSSBAR, ARROWS INDICATE NUMBER OF CIRCUITS.

DIRECTORY	CIR. NO.	BRK. AMPS	L1	L2	CIR. NO.	DIRECTORY	
AHU	1	60			20	2	LIGHTS
	3				20	4	LIGHTS
CU	5	40			20	6	LIGHTS
	7				20	8	LIGHTS
CUSTOMER WORK STATION	9	20			20	10	POINT OF SALE
LOBBY	11	20			20	12	POINT OF SALE
OFFICE	13	20			20	14	MEINEKE WALL
RESTROOMS	15	20			20	16	HOSPITALITY STATION
SHOP RESTROOM	17	20			20	18	SPARE
	19				20	20	SPARE
EWB	21	30			20	22	SPARE
	23				20	24	SPARE
SHOP SUBPANEL B	25	100			20	26	SPARE
	27	20			20	28	SPARE
SPARE	29	20			20	30	SPARE

VOLTAGE: 120/240V 1 PHASE 3 WIRE SN 10KAIC
 MAIN BREAKER: 200A, MCB
 MOUNTING: FLUSH, NEMA 1
 NOTE: EXISTING PANEL

PANEL NO. **A**
 LOCATION **SEE PLANS**

DIRECTORY	CIR. NO.	BRK. AMPS	L1	L2	CIR. NO.	DIRECTORY	
ALIGNMENT	1				20	2	AIR
	3				20	4	
LIFT	5	20			20	6	LIFT
	7				20	8	
LIFT	9	20			20	10	BAY 1
	11				20	12	BAY 2
LIFT	13	20			20	14	BAY 3
	15				20	16	BAY 4
LIFT	17	20			20	18	BAY 5
	19				20	20	GFI RECEPTACLES

VOLTAGE: 120/240V 1 PHASE 3 WIRE SN 10KAIC
 MAIN BREAKER: 100A, MLO
 MOUNTING: SURFACE, NEMA 1
 NOTE: EXISTING PANEL

PANEL NO. **B**
 LOCATION **SEE PLANS**

DAMMON ENGINEERING, INC.
 LOUISIANA & MISSISSIPPI
 Chief Engineer: Brian Misch, PE
 554 Old Spanish Trail
 Slidell, LA 70688
 www.dammonengineering.com
 info@dammonengineering.com
 PH: 905.649.9832

REVISIONS	DATE	DESCRIPTION

SEAL:

 06/16/2021

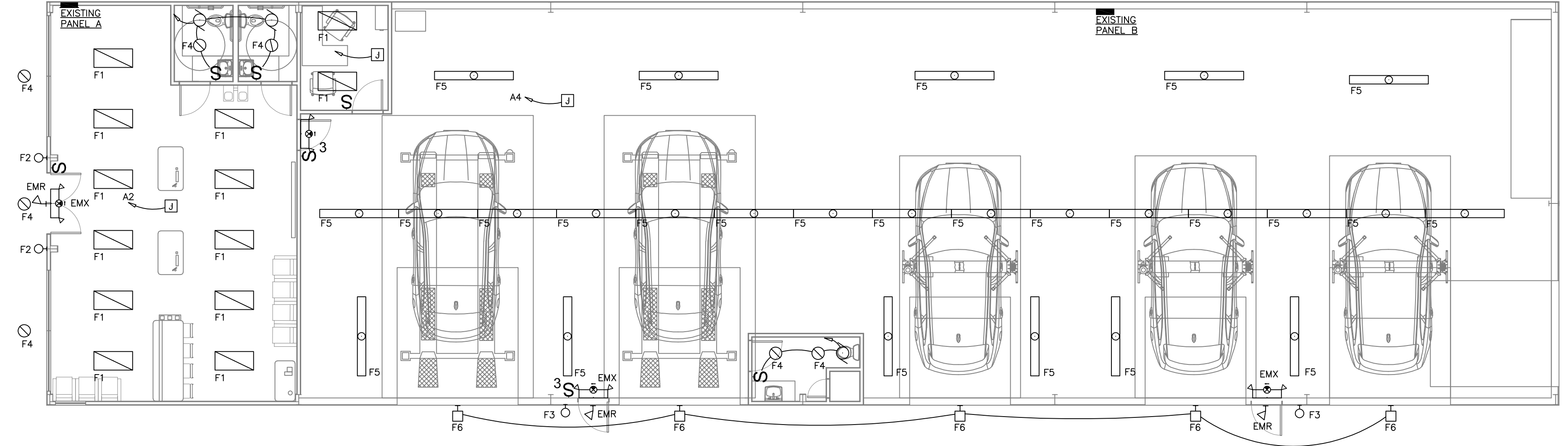
MEINEKE CARE CENTER
 772 EAST I-10 SERVICE ROAD
 SLIDELL, LA.
 JOB No: 2347 DATE: 06-16-2021
 DRAWN BY: RJK CHECKED BY: RJK

SHEET TITLE:
 ELECTRICAL - SPECIFICATIONS

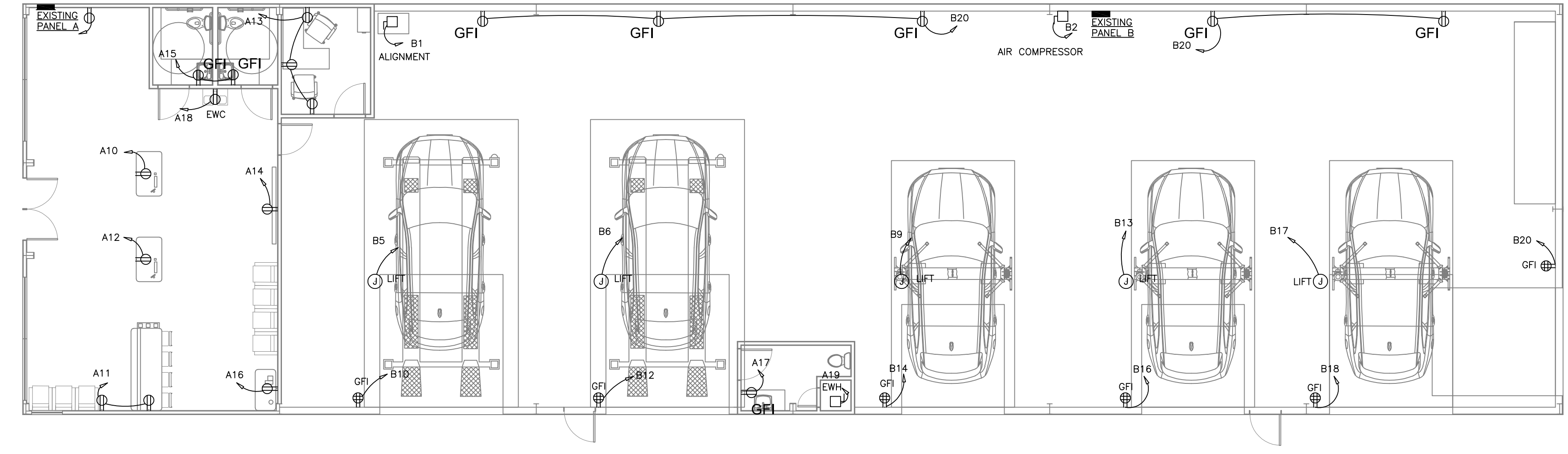
DRAWING NUMBER:
E101

SHEET No: 5 of 6





ELECTRICAL LIGHTING PLAN
 SCALE : 1/8" = 1'-0"



ELECTRICAL POWER PLAN
 SCALE : 1/8" = 1'-0"

- NOTES**
1. THIS DOCUMENT HAS BEEN PREPARED BY ME AND/OR UNDER MY SUPERVISION AND IT COMPLIES, TO THE BEST OF MY KNOWLEDGE AND BELIEF, WITH LOCAL AND STATE CODE REQUIREMENTS.
 2. ALL ELECTRICAL EQUIPMENT SHALL BE INSTALLED AS PER NATIONAL ELECTRICAL CODE NFPA 70 AND BE U.L. LISTED.



#	DESCRIPTION	DATE

SEAL:

06/16/2021

MEINEKE
 MEINEKE CAR
 CARE CENTER
 722 EAST I-10 SERVICE ROAD
 SLIDELL, LA.
 JOB No: 2347 DATE: 06-16-2021
 DRAWN BY: RJK CHECKED BY: RJK

SHEET TITLE:
 ELECTRICAL - LIGHTING & POWER

DRAWING NUMBER:

E102

