

### LIFE-SAFETY INFORMATION

<b>APPLICABLE CODES</b>	
NFPA 101 LIFE-SAFETY CODE 2015	
OCCUPANCY TYPE(S) AND CHAPTER(S)	
ASSEMBLY (CHAPTER 12)	
<b>OCCUPANT LOAD FACTOR</b>	(REFERENCE TABLE 7.3.1.2)
ASSEMBLY (concentrated use, without fixed seating)	7 NET / PERSON 2079 S.F. / 7 S.F. / PERSON = 291 OCCUPANTS
<b>CLASSIFICATION OF HAZARD OF CONTENTS</b>	
(REFERENCE: OCCUPANCY CHAPTER AND 6.2.2; SPECIFY LOW, ORDINARY, OR HIGH)	
CONST. TYPE = B(200) (REFERENCE: CHAPTERS, TABLE A.8.2.1.2 AND COMMENTARY TABLE 8.1 IN HANDBOOK)	
<b>MINIMUM EXIT SEPARATION DISTANCE FOR REMOTELY LOCATED EXITS</b>	
(REFERENCE: SECTION 7.5; SPECIFY 1/2 OR 1/3 DIAGONAL DISTANCE OF AREA SERVED)	
1/3 DIAGONAL =	107 FT / 3 = 35.6 FT
<b>MAXIMUM DEAD-END CORRIDORS</b> (REFERENCE: OCCUPANCY CHAPTER AND TABLE A.7.6)	
20 FEET	
<b>MAXIMUM COMMON PATH OF TRAVEL DISTANCE</b> (REFERENCE: OCCUPANCY CHAPTER AND TABLE A.7.6)	
20 FEET	
<b>MAXIMUM TRAVEL DISTANCE TO EXITS</b> (REFERENCE: OCCUPANCY CHAPTER AND TABLE A.7.6)	
250 FEET	
*MAIN ENTRANCE MUST BE SIGNED TO ACCOMMODATE 1/2 OCCUPANT LOAD OF BUILDING	
<b>EXTINGUISHMENT REQUIREMENTS</b>	THIS BUILDING IS FULLY SPRINKLERED
<b>DETECTION, ALARM, AND COMMUNICATION SYSTEMS</b>	MONITORED FIRE ALARM SYSTEM
<b>ALLOWABLE HEIGHT AND BUILDING AREA</b>	PER IBC EQUIVALENT CONSTRUCTION TYPE

### BUILDING CODE INFORMATION

<b>APPLICABLE CODES</b>	
IBC 2015	
<b>ASSEMBLY GROUP A2 &amp; A3</b>	(IBC 2015 CHAPTER 10)
<b>OCCUPANT LOAD CALCULATIONS</b>	(TABLE 1004.1.2)
ASSEMBLY A-3 (CONCENTRATED NON-FIXED SEATING) =	7 S.F. NET / PERSON 2079 S.F. / 7 S.F. / PERSON = 291 OCCUPANTS
<b>TOTAL OCCUPANTS</b>	291 OCCUPANTS
<b>CONSTRUCTION TYPE(S)</b>	3 B (SECTION 602)
<b>ALLOWABLE HEIGHT AND BUILDING AREA LIMITED BY TYPE OF CONSTRUCTION</b>	
MAXIMUM HEIGHT IN STORES (SECTION 503 & 504, TABLE 504.4)	2
MAXIMUM AREA IN SQUARE FEET (SECTION 503, 506 & 507, TABLE 506.2)	39,000 SF
ACTUAL BUILDING FIRE AREA IN SQUARE FEET	18,000 SF

### WIND SPEED DESIGN REQUIREMENTS

IMPROVEMENTS TO THIS BUILDING SHALL BE DESIGNED WITH IBC SEC 1609 AS A FULLY ENCLOSED BLDG USING THE FOLLOWING INFORMATION:

WIND DESIGN DATA: DETERMINATION OF WIND LOADS SHALL BE IN ACCORDANCE WITH IBC SEC 1609.3 (A), (B), OR (C) DEPENDING ON THE RISK CATEGORY

ULTIMATE WIND SPEED =	142 MPH (IBC FIG 1609C)	NOMINAL WIND SPEED =	V <sub>50yd</sub> = 110 MPH
RISK FACTOR:	CATEGORY II	SURFACE ROUGHNESS =	B
TOPOGRAPHIC FACTOR =	1	EXPOSURE =	B
INTERNAL PRESSURE COEFFICIENT (ASCE 7-10 TABLE 26.11-1): ± 0.18			
<b>LIVE LOADS (IBC SEC 1607)</b>			
ASSEMBLY MOVEABLE SEATING (IBC TABLE 1607.1):	100 PSF		
PLATFORMS (ASSEMBLY) (IBC TABLE 1607.1):	100 PSF		
LOBBIES (IBC TABLE 1607.1):	100 PSF		
CLASSROOMS (IBC TABLE 1607.1):	40 PSF UNIFORM, 1,000 LB CONCENTRATED		
ROOF LIVE LOADS (IBC TABLE 1607.1):	20 PSF UNIFORM, 300 LB CONCENTRATED		
<b>SNOW LOADS (IBC TABLE 1608):</b>			
GROUND SNOW LOAD (IBC FIG 1608.2):	5 PSF		

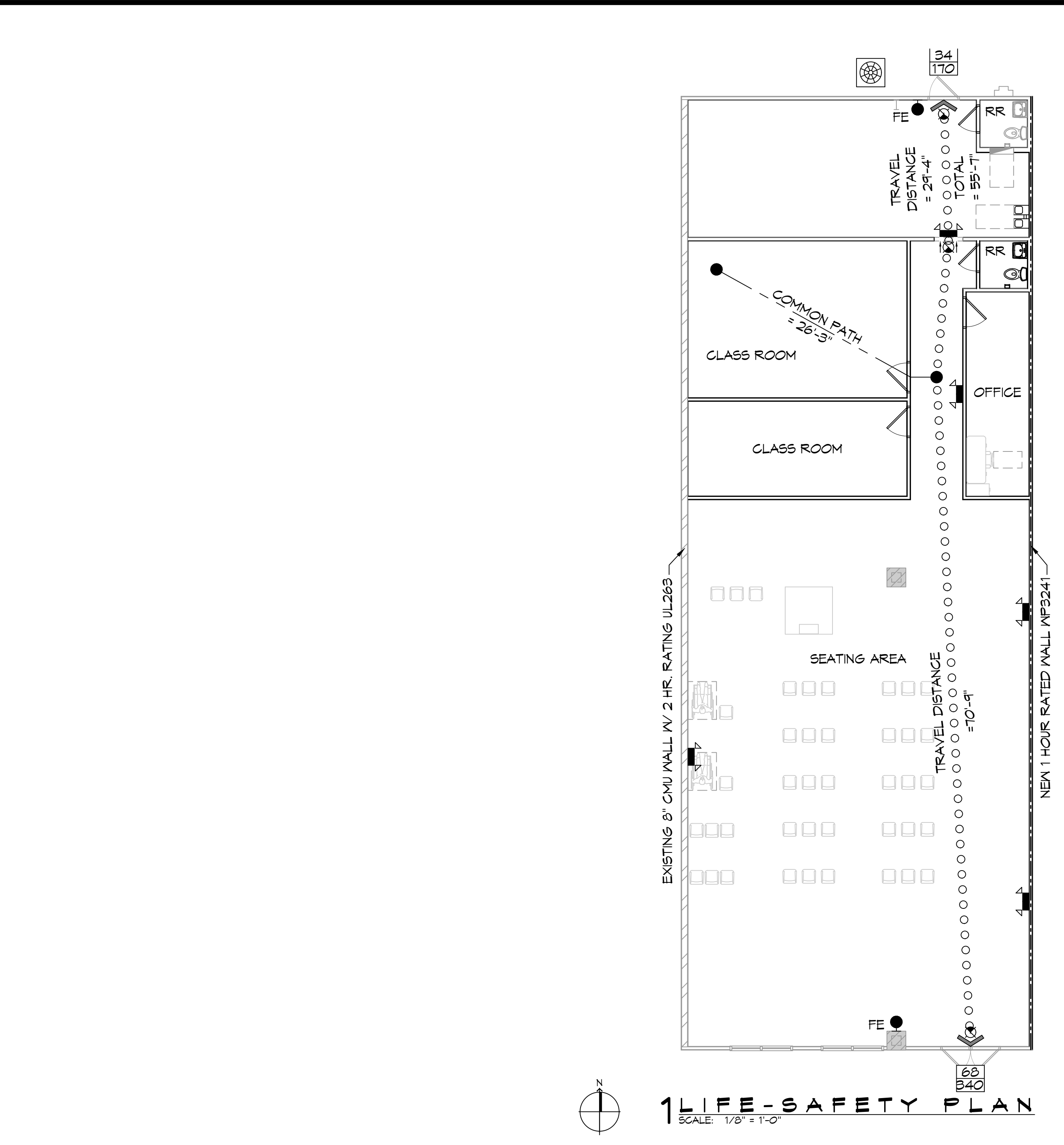
### FLOOD ZONE INFORMATION

BASED ON THE LSW FLOOD MAP PROPERTY IS IN ZONE AE, EL. 13 BASE FLOOD.

FLOOD ZONE:	AE	BASE FLOOD ELEVATION	13.0'
FIRM, COMMUNITY NUMBER 2201C0695F	DATE: 04/30/2008		

### LIFE-SAFETY LEGEND

SYMBOL	DESCRIPTION
	EXITS
	DOOR FIRE RATING (MINUTES)
	DOOR WIDTH/EGRESS CAPACITY
	EXIT LIGHT
	FIRE EXTINGUISHER VV WALL MTD BRACKET
	COMMON PATH OF TRAVEL
	TRAVEL DISTANCE
	DECISION POINT



**BUILDING INFORMATION:**  
TOTAL S.F. = 87,583 S.F.  
SPRINKLED = YES  
ALARMED = YES

**FIRE AREA INFORMATION:**  
2 HR CMU FIREWALL AREA = 18,000 S.F.

**SUITE INFORMATION:**  
TOTAL SUITE = 3,600 S.F.  
WORSHIP AREA = 2,079 S.F.  
NEITHER CLASSROOMS NOR MISCELLANEOUS ROOM WILL BE OCCUPIED WHILE WORSHIP SERVICE IS BEING HELD.



### SHEET INDEX

SHEET #	SHEET TITLE
G101	GENERAL INFORMATION SHEET
G101	SITE PLAN
A101	FLOOR AND REFLECTED CEILING PLAN
PM101	PLUMBING AND MECHANICAL PLAN
E101	POWER AND LIGHTING PLAN

- ### GENERAL NOTES
- ALL MATERIALS AND WORK, INCIDENTAL TO THE CONSTRUCTION OF THIS PROJECT, SHALL CONFORM TO ALL GOVERNING CODES, AND REGULATIONS OF AGENCIES IN AUTHORITY.
  - CONTRACTOR SHALL PROVIDE ALL PUBLIC PROTECTIONS NECESSARY AS REQUIRED BY LAW.
  - THE DRAWINGS, SPECIFICATIONS AND ANY SUBSEQUENTLY ISSUED ADDENDA, AMENDMENTS OR SUCH CHANGE ORDERS APPROVED BY THE OWNER AND THE CONTRACTOR ARE PART OF THESE CONTRACT DOCUMENTS.
  - DO NOT SCALE DRAWINGS.** CONSULT WITH THE ARCHITECT REGARDING ANY ITEMS IN THE CONTRACT DOCUMENTS THAT REQUIRE CLARIFICATION.
  - TRASH SHALL BE REMOVED FROM THE SITE NOT LESS THAN TWICE MONTHLY.
  - THE GENERAL CONTRACTOR SHALL VERIFY EXISTING CONDITIONS PRIOR TO COMMENCING WORK AND REPORT ANY AND ALL DISCREPANCIES TO THE ARCHITECT.
  - CONTRACTOR VEHICLES AND EQUIPMENT NECESSARY FOR CONSTRUCTION MAY BE PARKED ON THE SITE. OTHER VEHICLES PARKED ON THE SITE REQUIRE THE OWNER'S PERMISSION.
  - NAMING A CERTAIN BRAND, MAKE OR MANUFACTURER IS TO DESIGNATE THE GENERAL STYLE, TYPE, CHARACTER AND QUALITY STANDARD OF THE PRODUCT DESIRED. SUBSTITUTION REQUESTS MUST BE SUBMITTED PRIOR TO BIDDING.
  - ALL MATERIALS/EQUIPMENT SHALL BE INSTALLED PER MANUFACTURER'S RECOMMENDATIONS. WORK NOT CONSISTENT WITH MANUFACTURER'S RECOMMENDATIONS WILL BE REJECTED BY OWNER/ARCHITECT.

# DAMMON ENGINEERING, INC.

LOUISIANA & MISSISSIPPI

www.dammonengineering.com  
info@dammonengineering.com  
PH: 985.649.5832 F: 985.641.5590

Chief Engineer: Brian Misch, PE  
554 Old Spanish Trail  
Slidell, LA 70458

#	DESCRIPTION	DATE



### IGLESIA CRISTIANA LLINAJE DE CRISTO INC.

1000 CARUSO BLVD.  
BUILDING 1 UNIT 165  
SLIDELL, LA 70461

JOB No: 2454 DATE: 12/02/2021  
DRAWN BY: JMS CHECKED BY: RLD

SHEET TITLE:  
GENERAL PROJECT,  
LIFE-SAFETY, AND  
BUILDING CODE  
INFORMATION

DRAWING NUMBER:  
**GOO1**

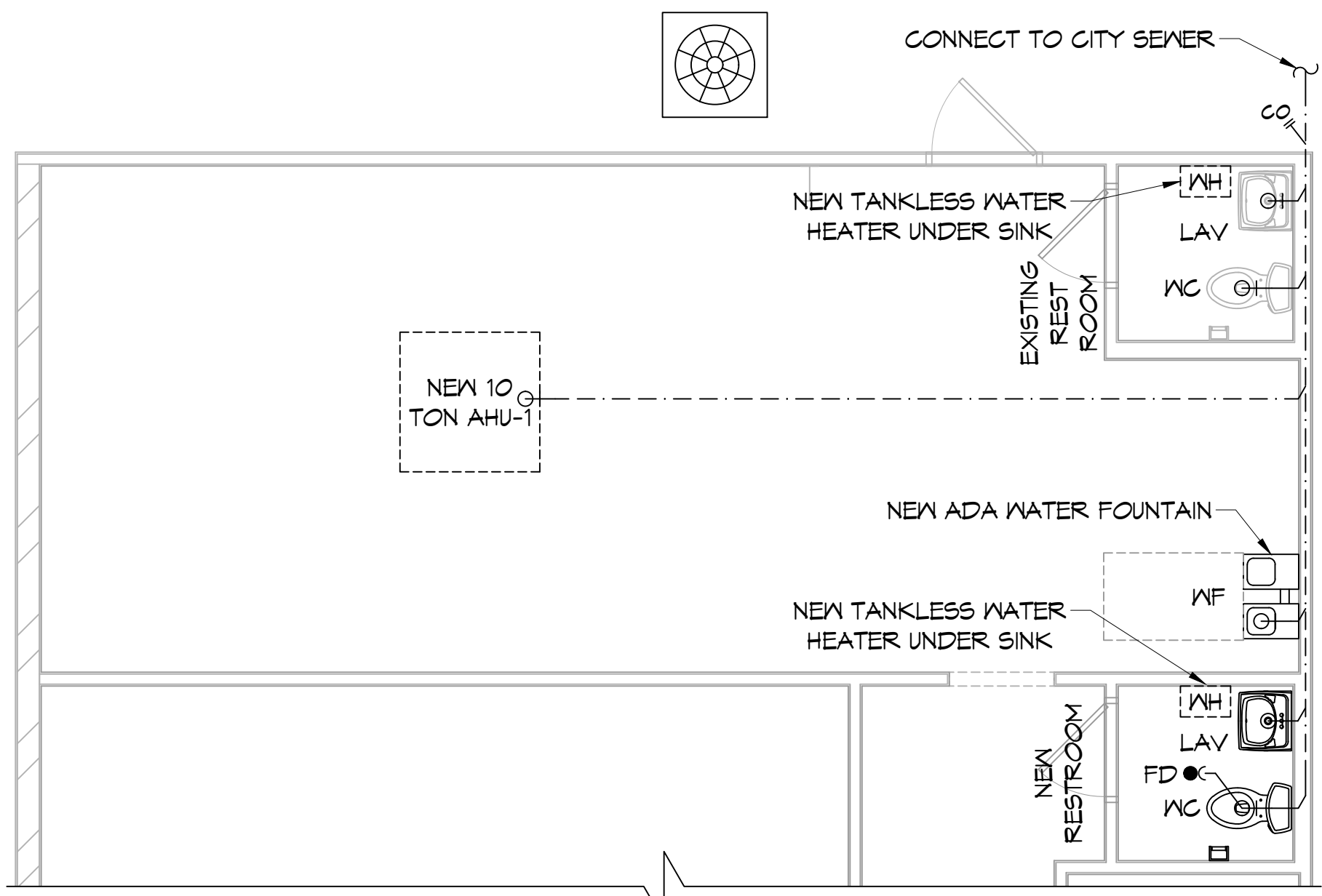
SHEET No: 1 of 5



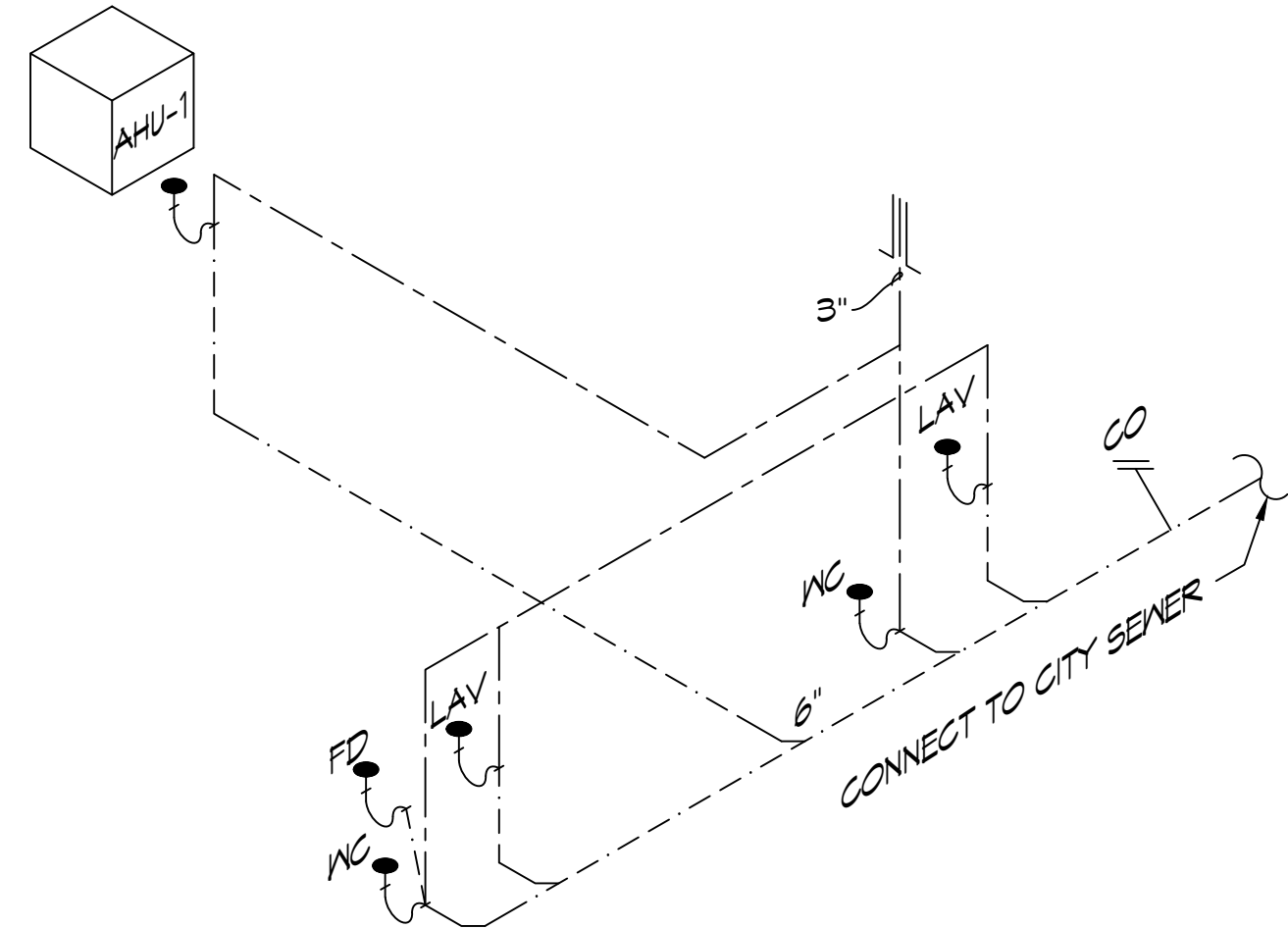


### PLUMBING LEGEND

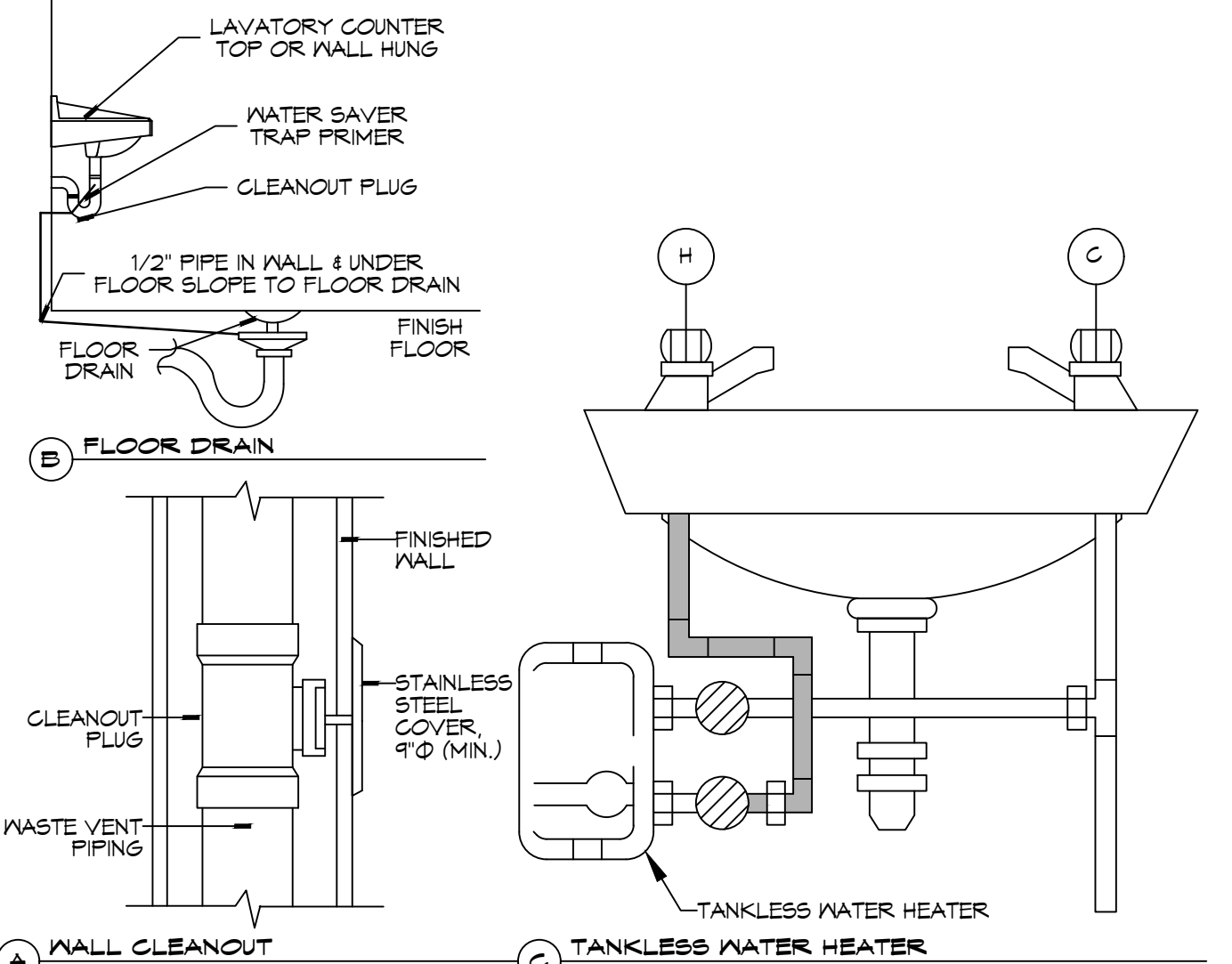
- LAV LAVATORY
- WC WATER CLOSET
- VENT PIPE
- ⊕ P-TRAP
- FD FLOOR DRAIN
- MH WATER HEATER
- MF WATER FOUNTAIN
- SANITARY SEWER
- COI WALL CLEAN OUT



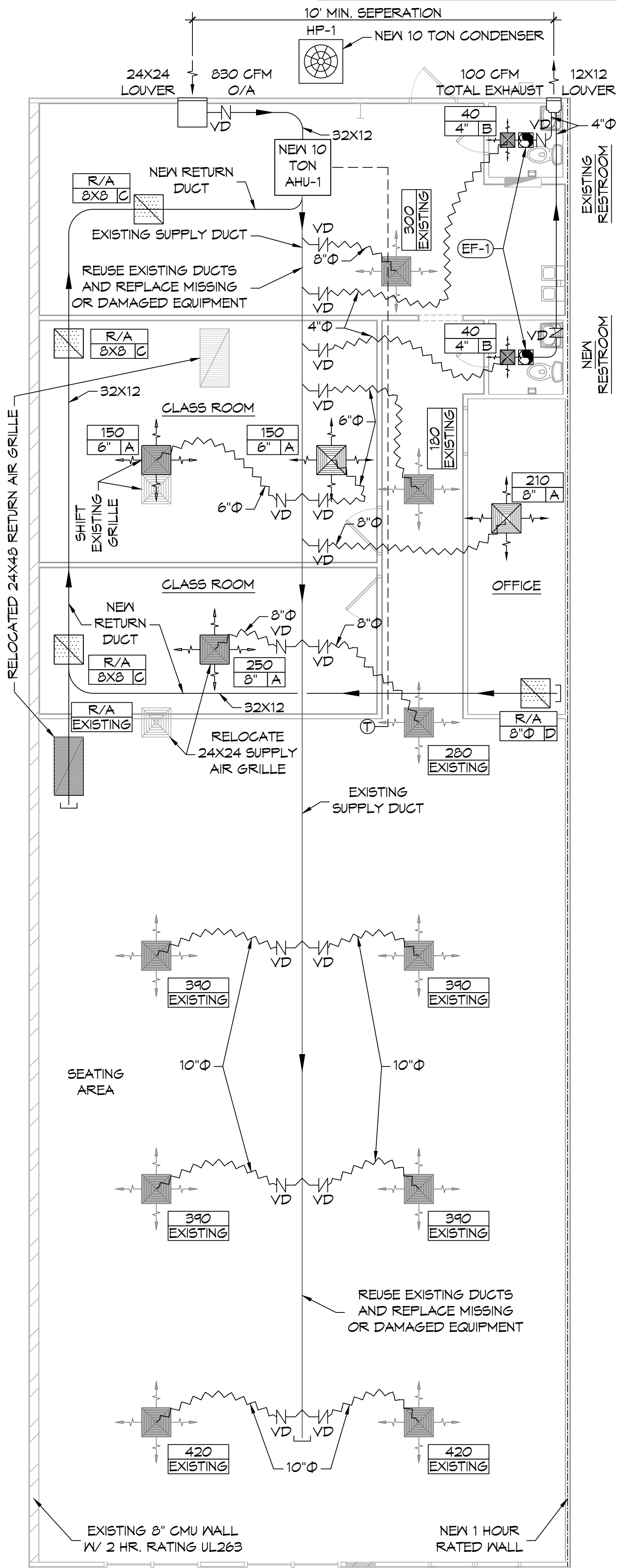
**10 PARTIAL PLUMBING PLAN**  
SCALE: 1/4"=1'-0"



**11 PLUMBING RISER DIAGRAM**  
SCALE: NTS



**12 PLUMBING DETAILS**  
SCALE: NTS



**13 MECHANICAL PLAN**  
SCALE: 3/16"=1'-0"

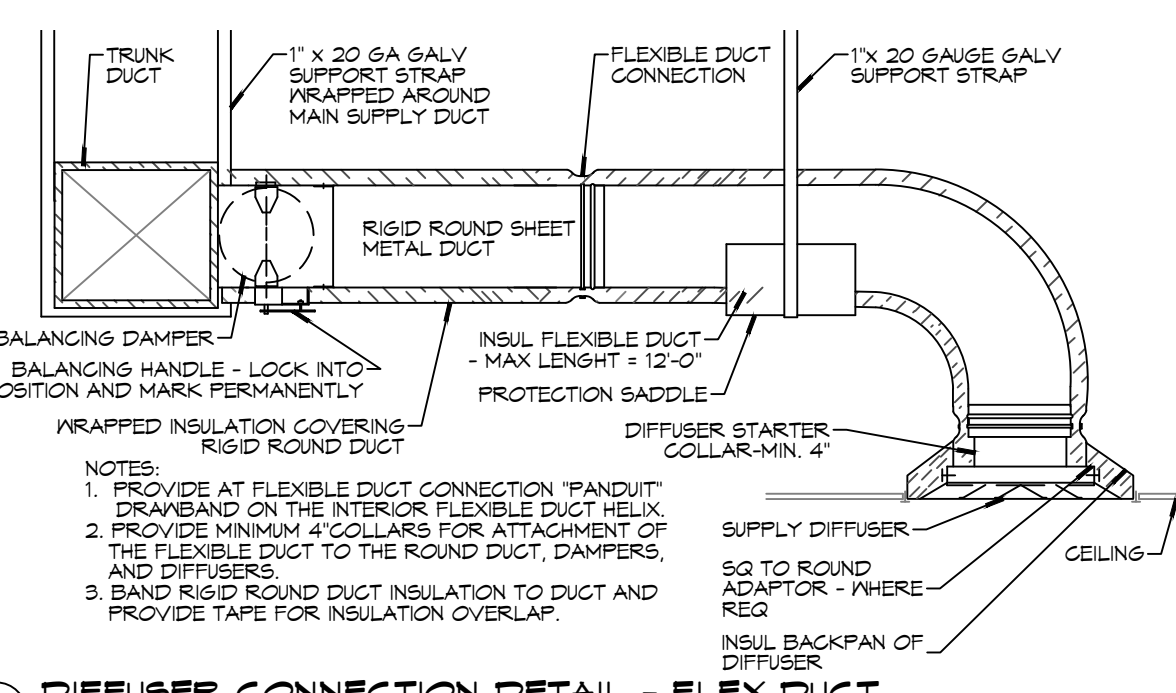
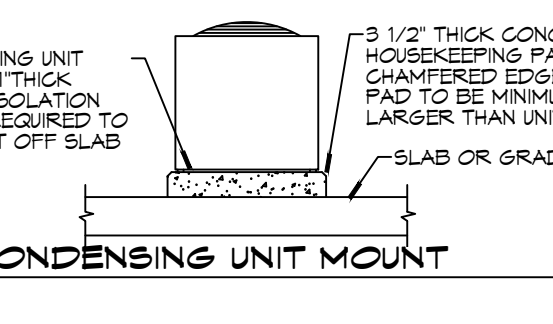
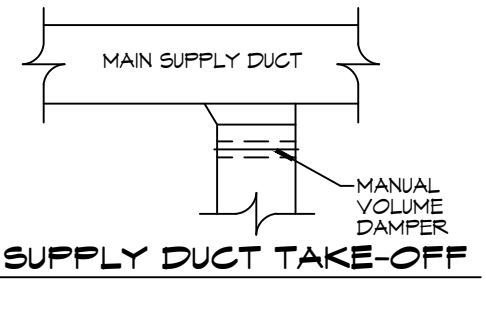
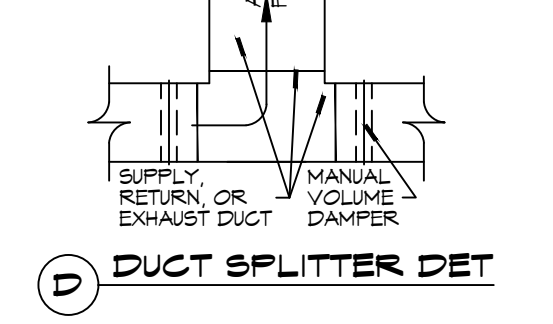
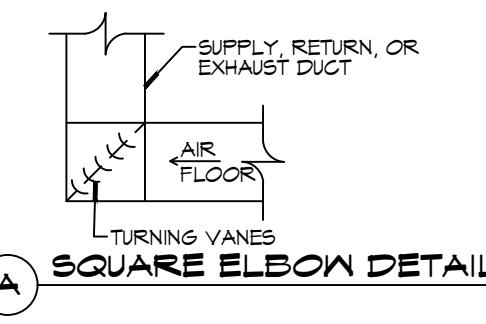
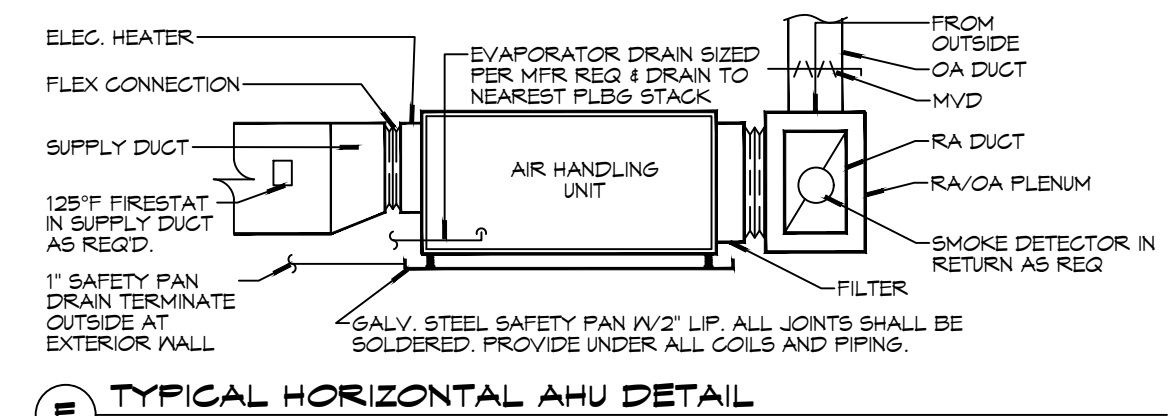
A/C SCHEDULE															
TAG	TRANE MODEL NO.	NOMINAL TONS	TOTAL CFM	OA CFM	COOLING		Motor HP	ESP (\"WC)	POWER VAC PH	HEAT PUMP					
					TMBH	SMBH				TAG	TRANE MODEL NO.	POWER VAC PH	REMARKS		
AHU-1	TWE12043A	10	4000	830	127	99	2	0.4	230	3	HP-1	TVA12043A	230	3	1, 2, 3, 4

DIFFUSER SCHEDULE				
TAG	SERVICE	NECK SIZE	DESCRIPTION	REMARKS
A	Supply Air	Ref. Plan	24" x 24" Perforated Ceiling Diffuser, Metalaire 7500	1, 2, 3
B	Supply Air	Tef. Plan	12" x 12" Perforated Ceiling Diffuser, Metalaire 7500	1, 2, 3
C	Return Air	Ref. Plan	24" x 24" Perforated Return, Metalaire 7500R	1, 2, 3

Exhaust Fan Schedule									
Tag	Service	Airflow (CFM)	TSP (\"we)	Watts	Volts	Phase Hz	Make / Model	Remarks	
EF-1	Restroom Exhaust	50	0.1	18	120	1	60	NuTone 50NT	1

### MECHANICAL LEGEND

- NEW SUPPLY AIR GRILLE
- EXISTING SUPPLY AIR GRILLE
- NEW RETURN AIR GRILLE
- EXISTING RETURN AIR GRILLE
- DAMPER CONTROL (V.D.)
- NEW EXHAUST FAN
- ROUND FLEX DUCT, MAX. LENGTH 12'-0", MIN. R-6. DUCT SIZE AS FOLLOWS:  
250 CFM TO 350 CFM = 9"  
200 CFM TO 250 CFM = 8"  
150 CFM TO 200 CFM = 7"  
100 CFM TO 150 CFM = 6"
- NEW THERMOSTAT



**F DIFFUSER CONNECTION DETAIL - FLEX DUCT**  
SCALE: N.T.S.

### GENERAL PLUMBING NOTES

- PLUMBING LINES SHOWN ARE DRAWN DIAGRAMMATIC IN NATURE AND REPRESENT CONCEPTUAL ROUTING ONLY. CONTRACTOR IS RESPONSIBLE FOR FIELD VERIFICATION OF ALL ACTUAL CONDITIONS.
- PROVIDE ALL LABOR, MATERIAL, TRANSPORTATION, SUPERVISION, CLEAN-UP, SERVICES, AND EQUIPMENT FOR A COMPLETE OPERATING SYSTEM. THE SYSTEM SHALL INCLUDE HOT AND COLD WATER PIPING, SEWER AND VENT PIPING, INSULATION, WATER HEATER, HANGERS, VALVES, SUPPORTS WITHOUT ANY RESTRICTIONS TO VOLUME, CUT AND PATCH AS REQUIRED TO INSTALL PIPES.
- ALL WORK AND MATERIAL SHALL CONFORM STRICTLY TO THE LATEST LOCAL CITY, PARISH, STATE AND NATIONAL GOVERNING CODES, MUST MEET LA STATE PLUMBING CODE 2019 REQUIREMENTS.
- CONTRACTOR IS TO FIELD VERIFY ALL EXISTING UTILITY LOCATIONS, ELEVATIONS AND SIZES PRIOR TO COMMENCING ANY WORK. CONTRACTOR SHALL PAY NECESSARY FEES FOR THE UTILITIES CONNECTIONS.
- CONTRACTOR IS RESPONSIBLE TO VERIFY THE EXISTING INVERTS AND SET NEW INVERTS OF SEWERAGE AND DRAINAGE PIPES.
- SEWERAGE LINES 3-INCH AND SMALLER SHALL BE SLOPED 1/4" PER FOOT AND LINES 4-INCH AND LARGER SHALL BE 1/8" PER FOOT.
- TEST ALL PIPING AT REQUIRED PRESSURE.
- ALL PLUMBING SHALL BE CLOSELY COORDINATED WITH STRUCTURAL, MECHANICAL SYSTEM AND ELECTRICAL SYSTEMS TO INSURE NO TRADES WILL CONFLICT WITH EACH OTHER.
- DO NOT SCALE DRAWINGS. SEE ARCHITECTURAL DRAWINGS FOR EXACT LOCATIONS OF DOORS, WINDOWS, WALLS, FIXTURES, ETC.
- ALL WATER MAINS AND PIPING NOT SHOWN FOR CLARITY, ALL LOCATIONS FIELD VERIFIED.
- DOMESTIC HOT AND COLD WATER PIPING AND FITTINGS UNDER SLAB SHALL BE ASTM B88 COPPER WATER TUBE, TYPE K, SOFT ANNEALED. NO JOINTS SHALL BE ALLOWED UNDER THE SLAB.
- DOMESTIC WATER PIPING AND FITTINGS ABOVE THE SLAB SHALL BE ASTM B88 COPPER WATER TUBE, TYPE L, HARD DRAWN WITH COPPER PRESSURE TYPE FITTINGS, ANSI B16.22. THE JOINTS SHALL BE SOLDERED TYPE USING ASTM B32, ALLOY GRADE #5A (#5-B) SOLDER.
- SOIL, WASTE, VENT PIPING AND FITTINGS ABOVE THE SLAB SHALL BE SERVICE WEIGHT CAST IRON PIPE WITH BELL AND SPIGOT ENDS AND ONE PIECE NEOPRENE INSERT TYPE GASKET. USE PVC SCHEDULE 40 OR ABS D/W PIPES AND FITTINGS WHERE PERMITTED BY CODE.
- ALL WATER PIPING AND FITTINGS ABOVE THE FLOOR SHALL BE INSULATED WITH 1/2" THICK FIBERGLASS INSULATION AND JACKET.
- ALL ELECTRICAL, MECHANICAL AND PLUMBING ELEMENTS PENETRATING FIRE PARTITIONS SHALL BE FIRE CAULKED. (PENETRATIONS THROUGH RATED CONSTRUCTION SHALL BE SEALED WITH A MATERIAL CAPABLE OF PREVENTING THE PASSAGE OF FLAMES AND HOT GASES WHEN TESTED IN ACCORDANCE WITH ASTM-E814.)
- SEE ROOF PLAN FOR PLUMBING ROOF PENETRATIONS. ROUTE VENT PIPES IN ATTIC AS NECESSARY.
- ALL VENTS THROUGH ROOF (VTR) SHALL BE LOCATED A MINIMUM OF 10'-0" FROM ANY MECHANICAL OR NATURAL AIR INTAKE.

### GENERAL HVAC NOTES

- CONCEALED DUCTWORK TO BE GALVANIZED SHEET METAL WRAPPED WITH FIBROUS GLASS DUCT WRAP WITH FSK VAPOR BARRIER, MIN R-6. INSTALLED PER SMACNA STANDARDS. DUCT WORK IMMEDIATELY DOWNSTREAM FROM RTU SHALL BE LINED FOR SOUND ATTENUATION.
- EXPOSED DUCTWORK TO BE GALVANIZED SHEET METAL LINED WITH FIBROUS GLASS DUCT LINER, MIN R-6. INSTALLED PER SMACNA STANDARDS.
- ROUND FLEXIBLE DUCT TO BE UL-101, CLASS 1, AIR DUCT MATERIALS.
- DUCT SIZES SHOWN ARE CLEAR INSIDE DIMENSIONS.
- IN ALL SYSTEMS OVER 2000 CFM AND LESS THAN 15,000 CFM, SMOKE DETECTORS SHALL BE INSTALLED IN ACCORDANCE WITH NFPA 72E IN THE RETURN DUCT DOWNSTREAM OF THE AIR HANDLING UNIT AND ALL FILTERS TO AUTOMATICALLY STOP THE FAN.
- PROVIDE UL LISTED 125 F FIRESTAT IN RETURN AIR OF EACH SYSTEM UNDER 2000 CFM TO SHUT DOWN THE FAN IN THE EVENT OF FIRE.
- PROVIDE UL RATED FIRE DAMPERS WHERE REQUIRED AT ALL DUCT PENETRATIONS OF FIRE-RATED ASSEMBLIES AND WHERE REQUIRED BY CODE, INCLUDING OUTSIDE AIR INTAKES AND EXHAUST FANS.
- CONDENSATE DRAINS TO BE PVC PIPE RUN TO PLUMBERS P-TRAP WITH FIVE FEET OF AIR HANDLING UNITS.
- ALL AIR HANDLING SYSTEMS TO BE BALANCED TO ASSURE PROPER AIR FLOWS PER PLANS.
- ALL THERMOSTATS TO BE AUTOMATIC CHANGEOVER WITH HEAT SWITCH.
- EXHAUST FAN SHALL BE CONTROLLED BY A SWITCH ON THE WALL IN THE SAME LOCATION AS LIGHT SWITCH(S). PROVIDE BACK DRAFT DAMPER.
- PROVIDE AND INSTALL WATER PROOF GRILLE VENT IN PROPER ROOF LOCATION FOR PLUMBING FIXTURE EXHAUST.
- ALL SUPPLY AIR VENTS SHALL BE EQUIPPED WITH AIR CONTROL DAMPERS AT THE REGISTER.
- LOCATE OUTDOOR UNITS AS SHOWN ON ARCHITECTURAL DRAWINGS.
- REFRIGERANT LINES SHALL BE SIZED BY UNIT MANUFACTURER AND INSTALLED ACCORDING TO MANUFACTURER'S INSTRUCTIONS.
- FRESH AIR SHALL BE SUPPLIED TO EACH AIR HANDLER THROUGH EXTERIOR WALL DUCT SUPPLIED WITH A CONTROL DAMPER.
- ALL ELECTRICAL, MECHANICAL, AND PLUMBING PENETRATING FIRE WALLS SHALL BE FIRE CAULKED. (PENETRATIONS THROUGH RATED CONSTRUCTION SHALL BE SEALED WITH A MATERIAL CAPABLE OF PREVENTING THE PASSAGE OF FLAMES AND HOT GASES WHEN TESTED IN ACCORDANCE WITH ASTM-E814.)
- ALL MECHANICAL SYMBOLS ARE DRAWN DIAGRAMMATICALLY. CONTRACTOR TO VERIFY WITH OWNER LOCATIONS OF VENTS, DAMPERS, REGISTERS, ETC.
- FLEXIBLE DUCTWORK LENGTH NOT TO EXCEED 12'-0". SUPPORT FLEX DUCT TO PREVENT SAGGING.
- REFER TO REFLECTED CEILING PLAN FOR FINAL GRILLE AND DIFFUSER LOCATIONS AND COORDINATE AS REQUIRED.
- FINAL LOCATION OF TEMPERATURE CONTROLS TO BE COORDINATED WITH OWNER AT JOB SITE.
- PROVIDE AND INSTALL SMOKE DETECTORS AS APPROVED BY LOCAL A.H.J.S. PLACE NEAR R/A AND S/A OPENINGS OF AHU AND PROVIDE, WITH ACCESS PANEL, WIRING BY ELECTRICAL CONTRACTOR.
- FRESH AIR INTAKES ARE REQUIRED TO HAVE MOTORIZED OR GRAVITY DAMPERS TO SHUT OFF WHEN SYSTEM IS NOT RUNNING.
- PROVIDE BIRD SCREENS AT ALL EXTERIOR MECHANICAL PENETRATIONS.
- COORDINATE WALL MOUNTED THERMOSTAT LOCATIONS WITH ALL OWNER FURNISHED ITEMS EITHER WALL MOUNTED OR FLOOR MOUNTED AGAINST PARTITIONS. REFER TO ARCHITECTURAL DRAWINGS.
- SEE ROOF PLAN FOR ALL ROOF PENETRATIONS.
- PROVIDE MIN 10 GA GALVANIZED SHEET METAL TO BLANK-OFF GABLE VENTS WHERE INTAKE/EXHAUST DUCTS OCCUR.

NOTE: REUSE EXISTING DUCTS. REPLACE MISSING OR DAMAGED EQUIPMENT. VERIFY ALL EXISTING COMPONENTS

**DAMMON ENGINEERING, INC.**  
LOUISIANA & MISSISSIPPI  
Chief Engineer: Brian M. Cristiano, PE  
554 Old Spanish Trail  
Slidell, LA 70458  
PH: 985.649.5832 F: 985.641.9590  
info@dammoneengineering.com

#	DESCRIPTION	DATE



**CRISTIANO LESIA DE CRISTIANO LESIA DE CRISTIANO LESIA DE CRISTIANO LESIA DE CRISTIANO**

1000 CARUSO BLVD., SUITE 100, SLIDELL, LA 70451  
JOB No: 2454 DATE: 12/02/2023 CHECKED BY: TMT  
DRAWN BY: TMT

SHEET TITLE: **PLUMBING AND MECHANICAL PLAN**

DRAWING NUMBER: **PM101**

SHEET No: 4 of 5

