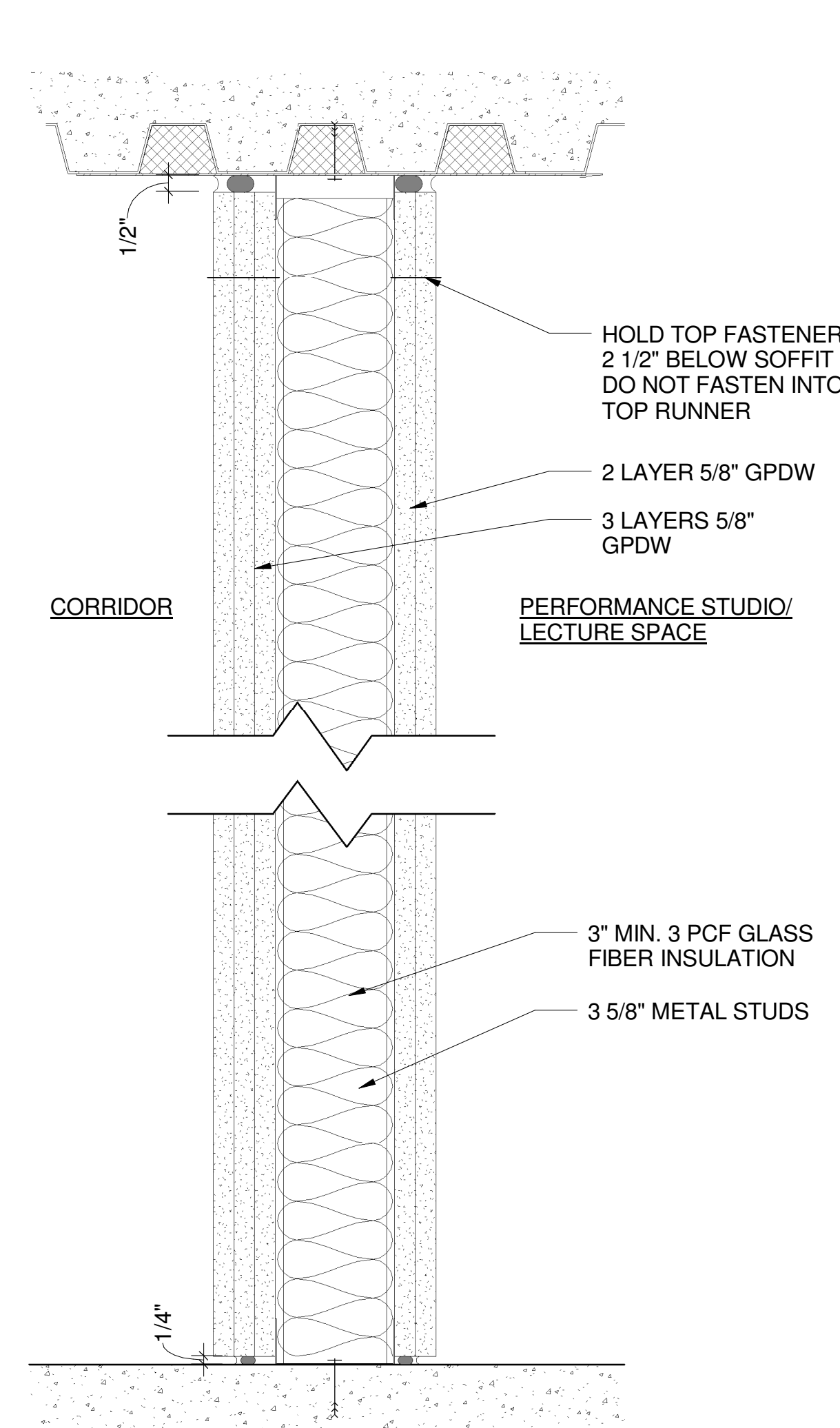
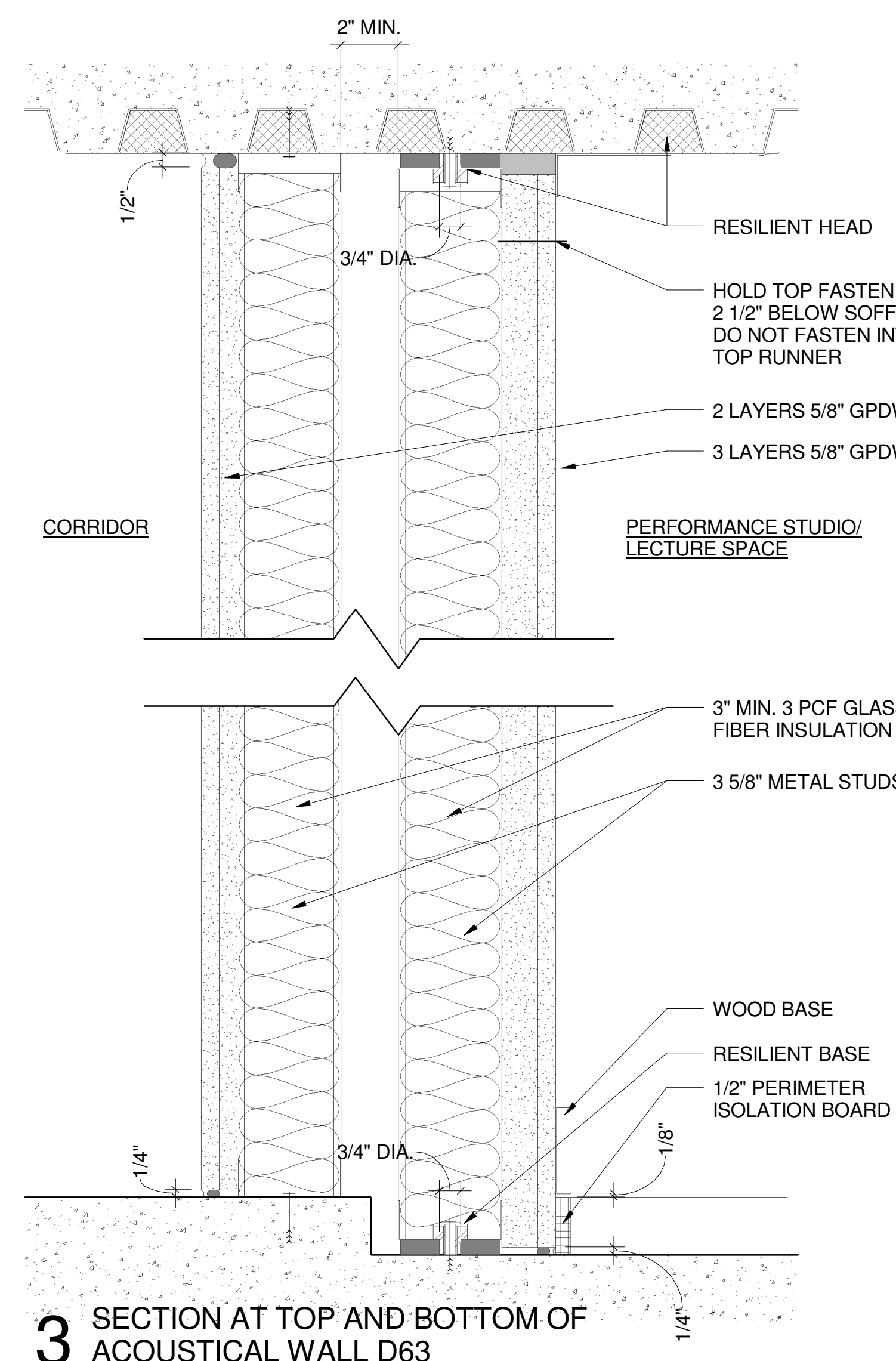


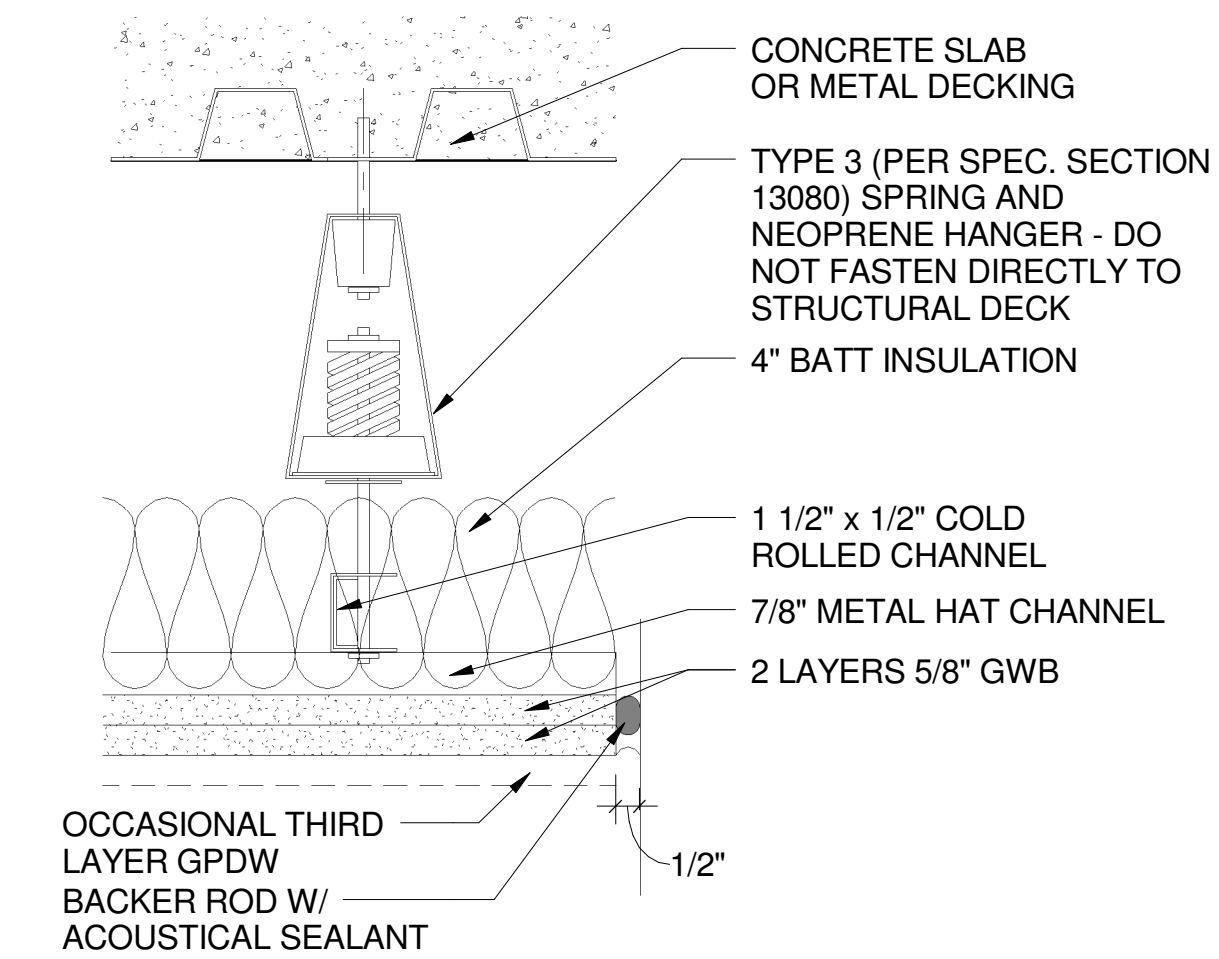
**1** SECTION AT TOP AND BOTTOM OF ACOUSTICAL WALL D60  
A7-2 3" = 1'-0" ?



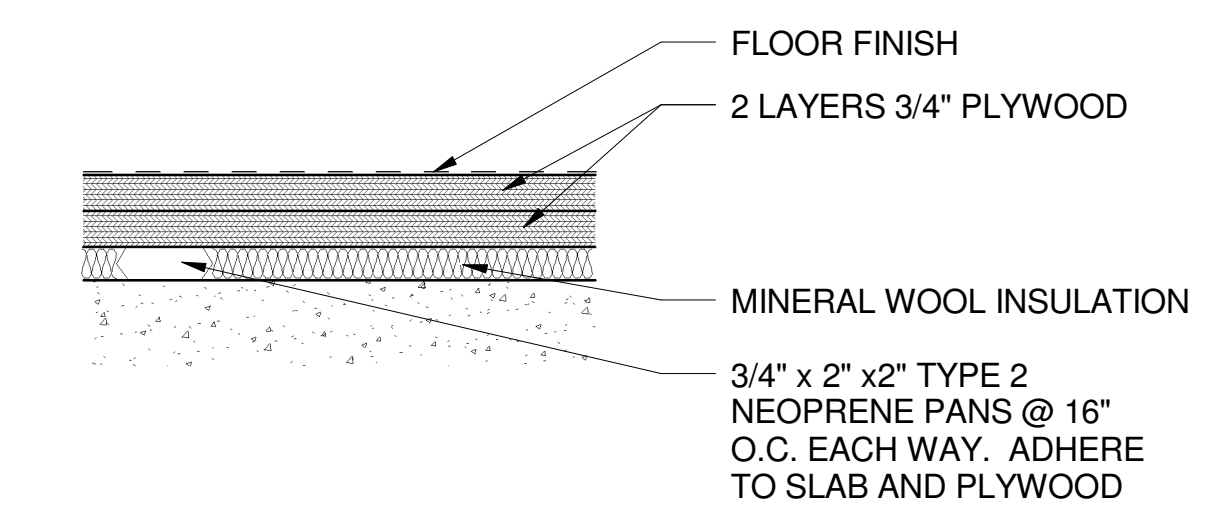
**2** SECTION AT TOP AND BOTTOM OF ACOUSTICAL WALL D61  
A7-2 3" = 1'-0" ?



**3** SECTION AT TOP AND BOTTOM OF ACOUSTICAL WALL D63  
A7-2 3" = 1'-0" ?



**4** BARRIER CEILING DTL  
A7-2 3" = 1'-0" ?



**5** RESILIENT HARDBOARD FLOOR DTL  
A7-2 3" = 1'-0" ?

1	12.23.2010	SD PRICING SET			
2	01.18.2011	100% SD SET			
3	09.15.2011	100% DD / PRICING SET			
No.	Date	Issue	No.	Date	Issue

Holabird & Root / Holly & Smith LLC expressly disclaims any responsibility arising from any unauthorized use of these plans, drawings and notes. Any authorization must be in writing.  
This drawing copy may have been reproduced at a size different than originally drawn. The Owner and Architect assume no responsibility for use of incorrect scale. Drawings are not to be scaled.  
Not published - All rights reserved.

**HOLABIRD & ROOT** | **HOLLY & SMITH LLC**  
140 South Dearborn Avenue Suite 500 Chicago, IL 60660  
312.357.1771 (tel) 312.357.1909 (fax) www.holabird.com  
2302 Magazine Street New Orleans, LA 70130  
985.345.5210 (tel) www.hollyandsmith.com

Project Number	15248.00
Drawn	J. HOWARD
Checked	A. WHITE
Proj. Arch./Eng.	A. WHITE



ACOUSTICAL DETAILS	
Sheet Name	A7-2
Project Name	MONROE HALL RENOVATION
Drawing No.	A7-2