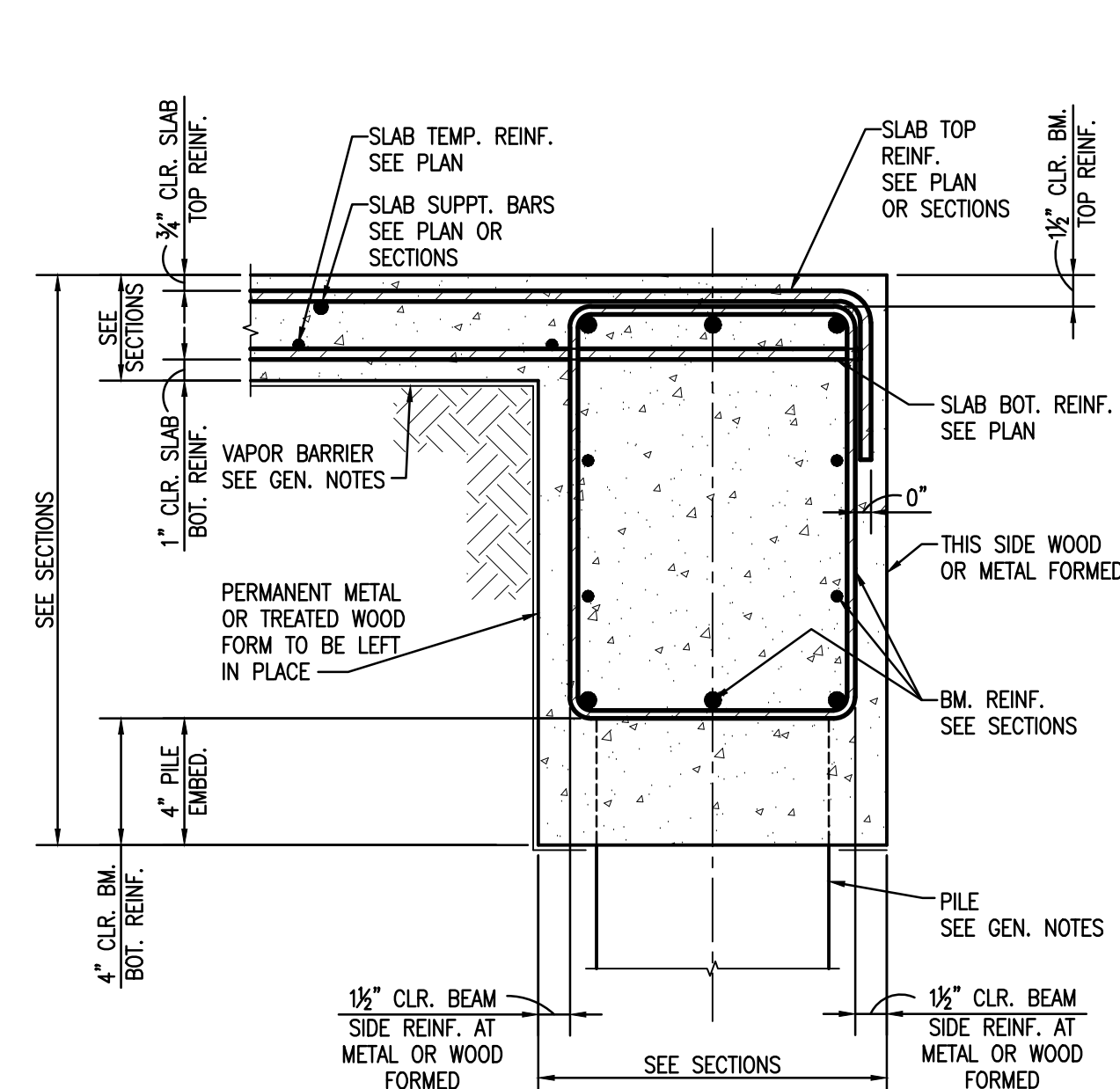


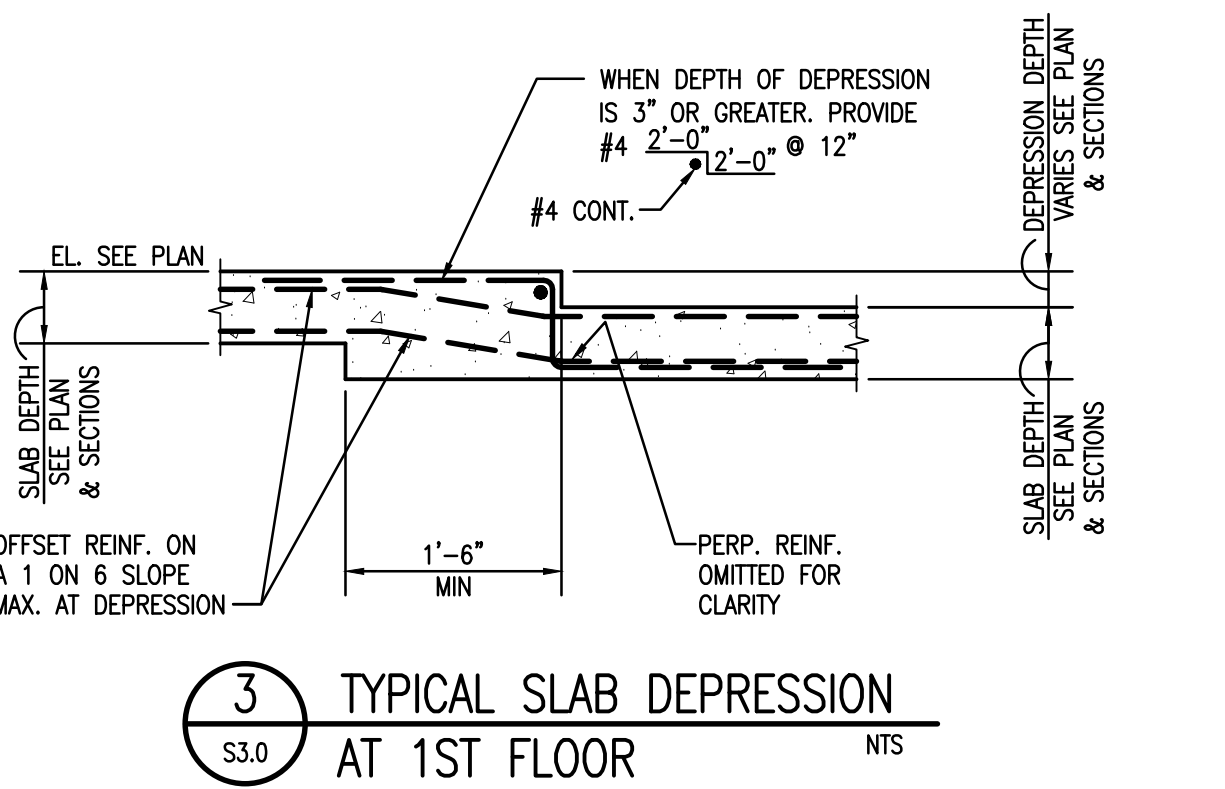
NOTES:
 1. DETAIL SHOWN IS TO ILLUSTRATE REINFORCEMENT PLACEMENT AND OTHER BEAM DETAILS.
 2. SEE PLANS, SCHEDULES, DETAILS, AND SECTIONS FOR DIMENSIONS, ELEVATIONS, AND REINFORCING SIZES AND QUANTITIES.

1 DETAIL-TYPICAL INTERIOR
 S3.0 1ST FLOOR CONCRETE BEAM NTS

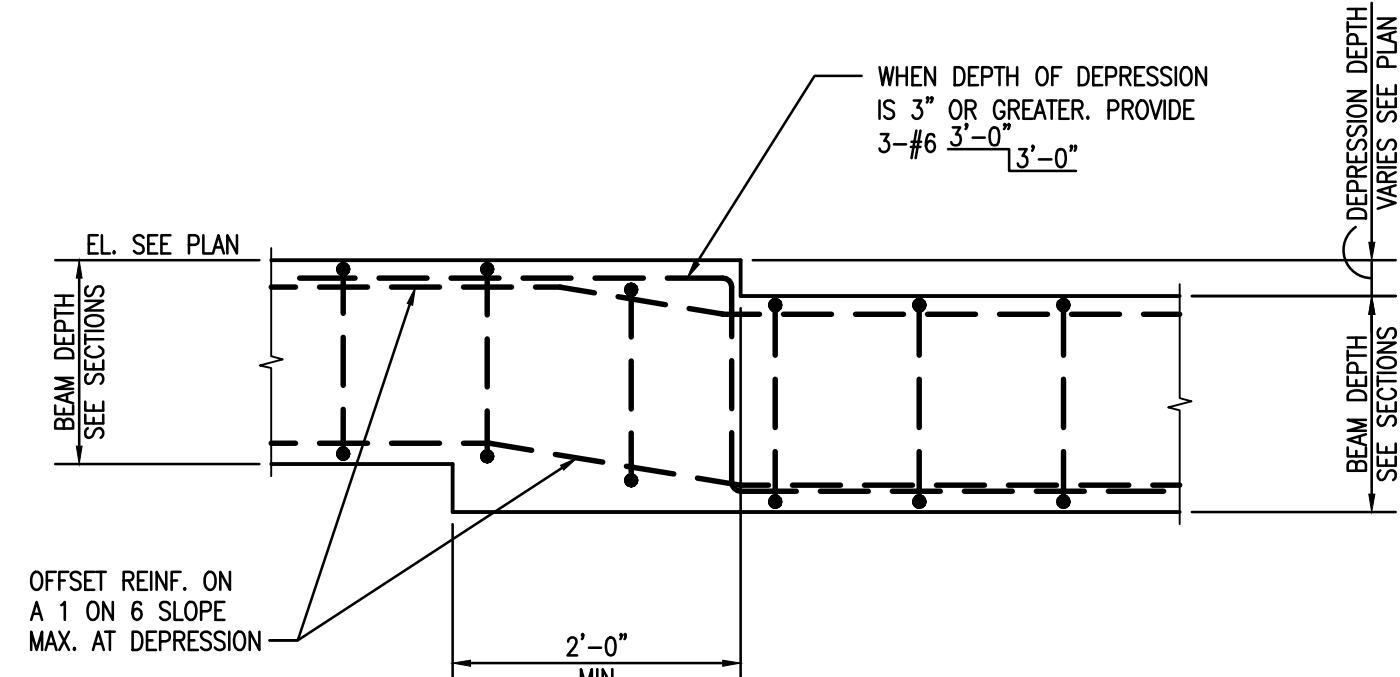


NOTES:
 1. DETAIL SHOWN IS TO ILLUSTRATE REINFORCEMENT PLACEMENT AND OTHER BEAM DETAILS.
 2. SEE PLANS, SCHEDULES, DETAILS, AND SECTIONS FOR DIMENSIONS, ELEVATIONS, AND REINFORCING SIZES AND QUANTITIES.

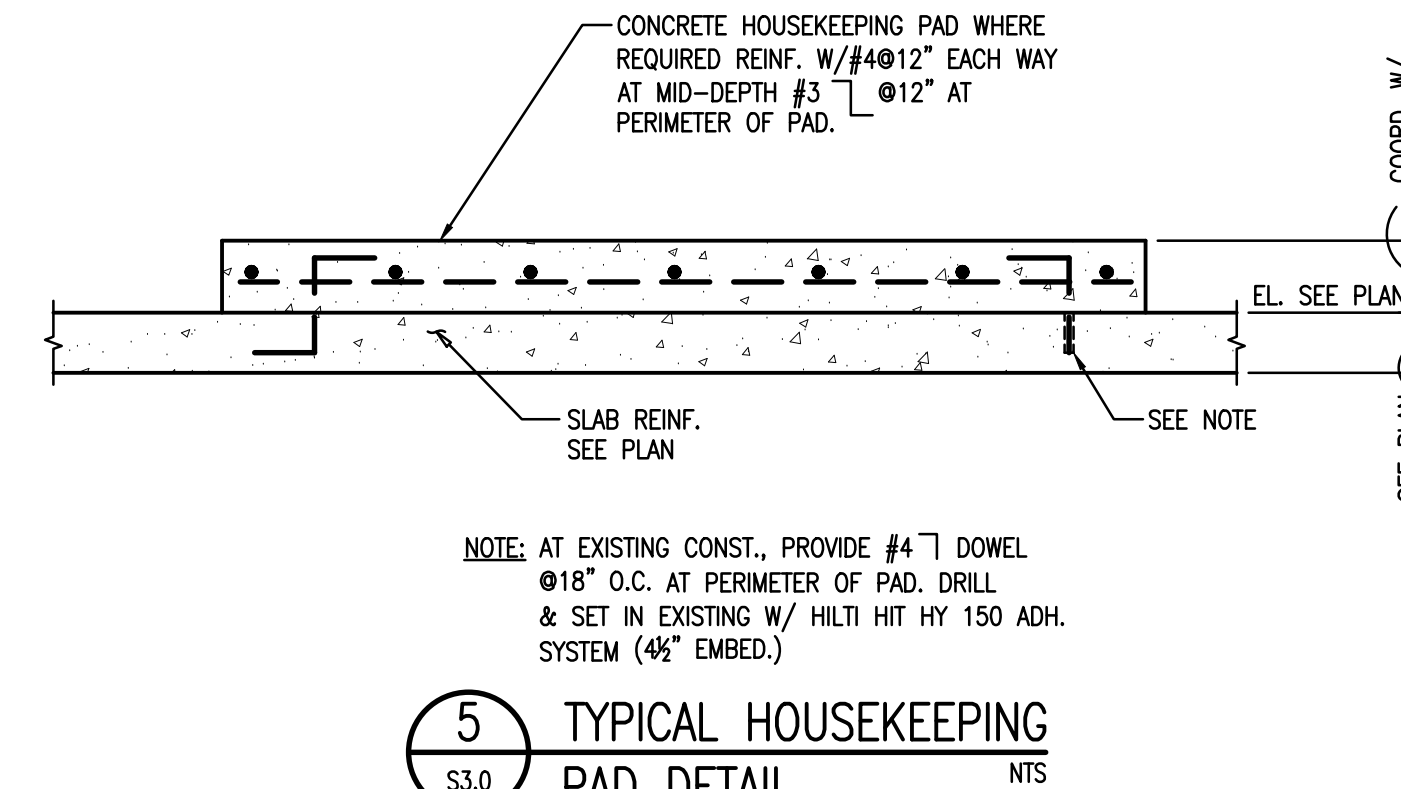
2 DETAIL-TYPICAL EXTERIOR
 S3.0 1ST FLOOR CONCRETE BEAM NTS



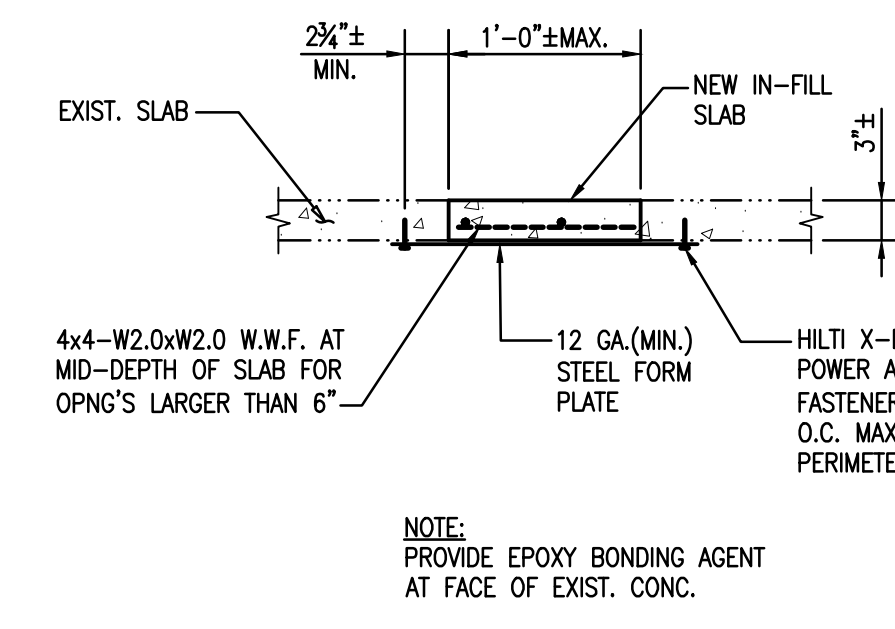
3 TYPICAL SLAB DEPRESSION
 S3.0 AT 1ST FLOOR NTS



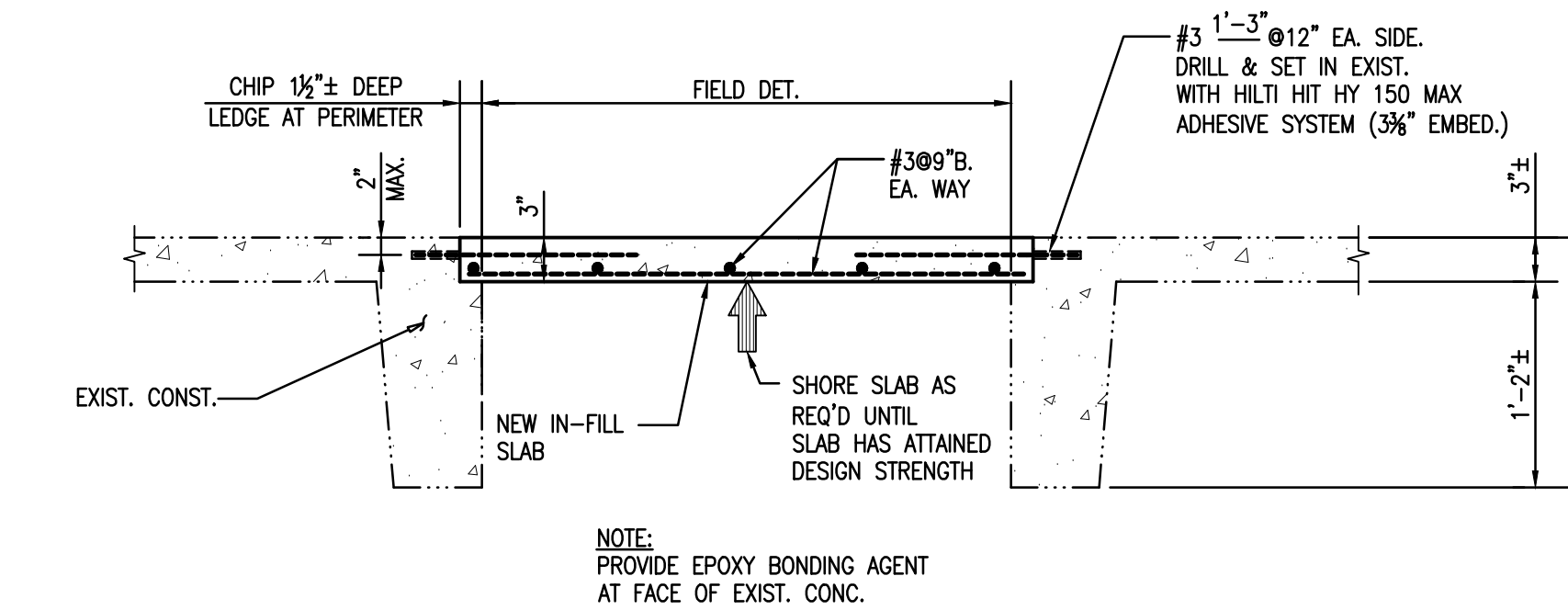
4 TYPICAL BEAM DEPRESSION
 S3.0 AT 1ST FLOOR NTS



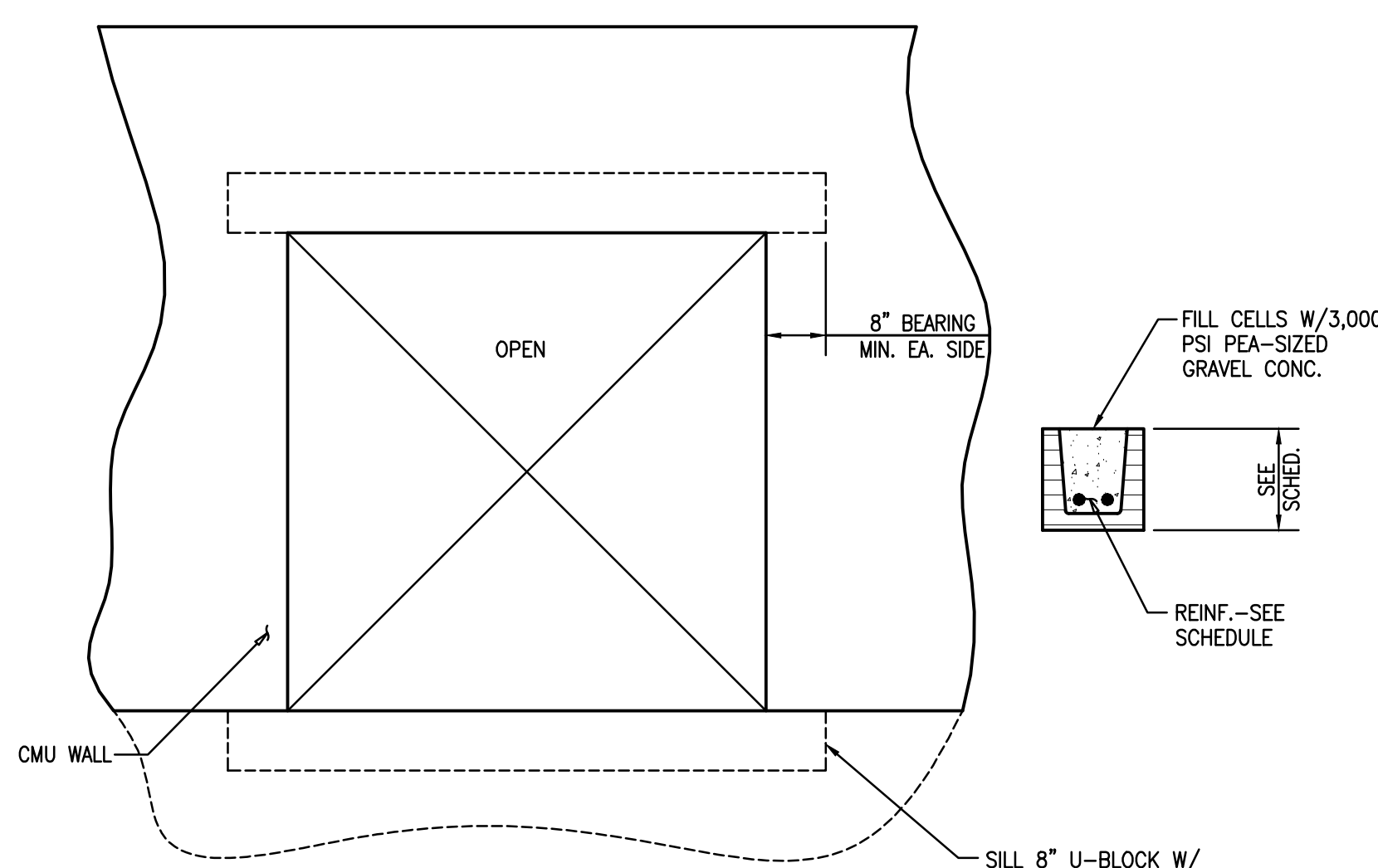
5 TYPICAL HOUSEKEEPING PAD DETAIL
 NTS



7 DETAIL-TYPICAL IN FILL OF EXIST. SLAB OPENING IN FIELD OF FLOOR
 S3.0 1'-11\"/>

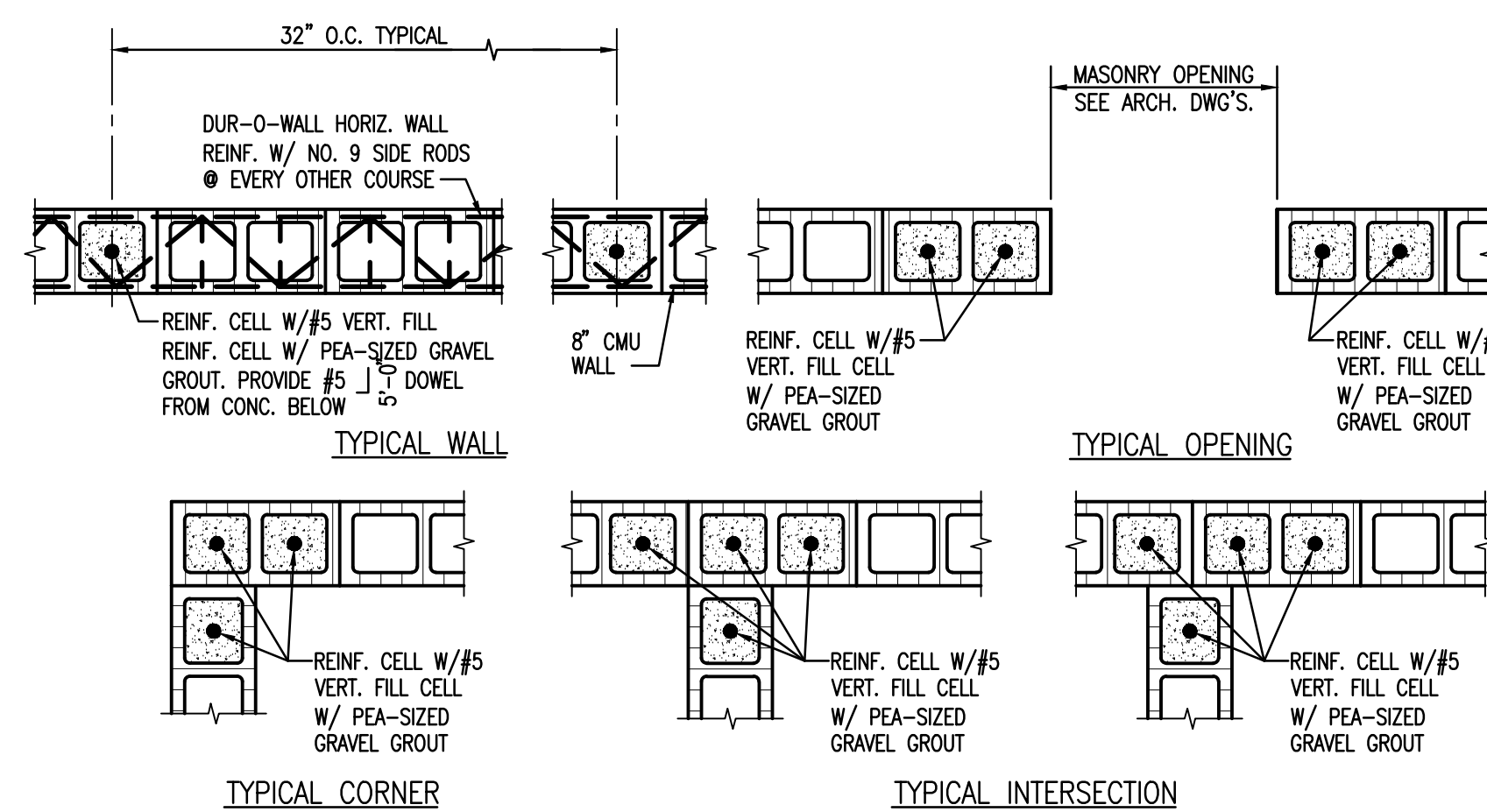


8 DETAIL-TYPICAL IN FILL OF EXIST. SLAB OPENING BETWEEN JOISTS
 NTS

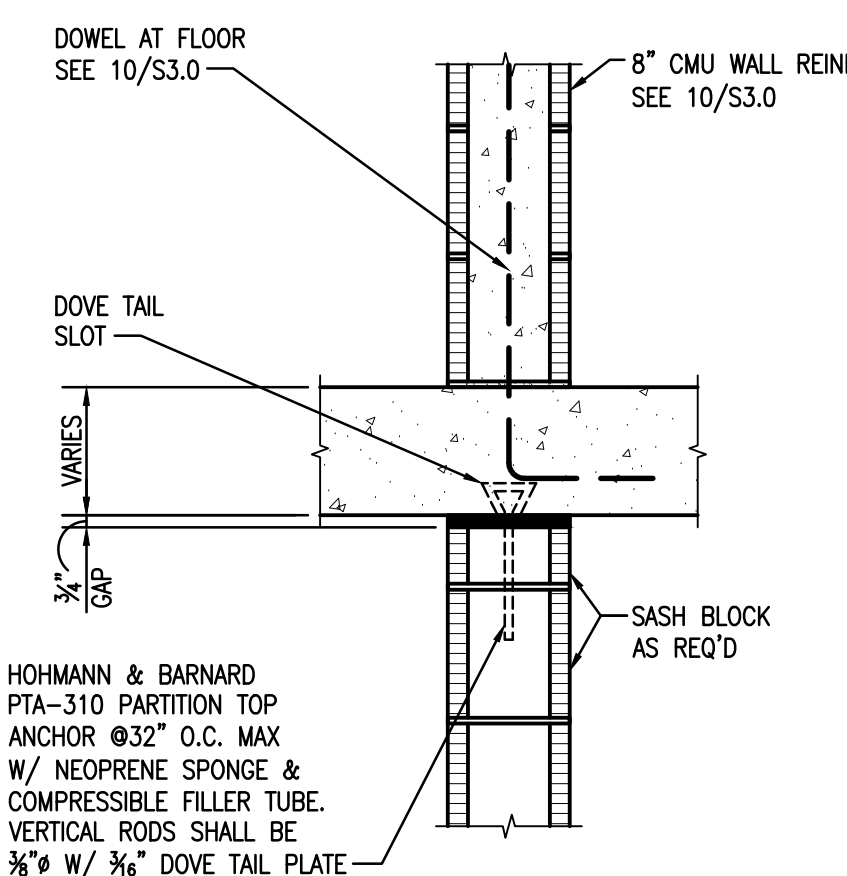


OPENING SIZE (UP TO & INCLUDING)	LINTEL "U"-BLOCK SIZE AND REINFORCING
4'-0"	8" U-BLOCK 2-#4 CONT. BOT.
7'-0"	8" U-BLOCK 2-#5 CONT. BOT.
9'-0"	16" U-BLOCK 2-#5 CONT. BOT.
12'-0"	16" U-BLOCK 2-#5 CONT. TOP & BOT.

9 LINTEL SCHEDULE-INT./EXT. WALL OPENINGS
 NTS



10 TYPICAL DETAIL - 8" INTERIOR/ EXTERIOR CMU WALL REINFORCEMENT
 S3.0 3/4'-11\"/>



11 DETAIL
 S3.0 1'-11\"/>

PRELIMINARY
 NOT FOR CONSTRUCTION

No.	Date	Issue	No.	Date	Issue
1	12.23.10	SD PRICING SET			
2	01.18.11	100% SD SET			
3	05.18.11	LNO Meeting			
4	09.15.11	100% DD/ PRICING			

Holabird & Root / Holly & Smith LLC expressly disclaims any responsibility arising from any unauthorized use of these plans, drawings and notes. Any authorization must be in writing.
 This drawing copy may have been reproduced at a size different than originally drawn. The Owner and Architect assume no responsibility for use of incorrect scale. Drawings are not to be scaled.
 Not published - All rights reserved.

HOLABIRD & ROOT | HOLLY & SMITH LLC
 140 South Dearborn Avenue Suite 500 Chicago, IL 60660
 312.357.1771 (tel) 312.357.1909 (fax) www.holabird.com
 541 Julia Street Suite 201 New Orleans, LA 70130
 504.585.1315 (tel) 504.585.1316 (fax) www.hollyandsmith.com

Project Number	15248.00
Drawn	RAB
Checked	JAS
Proj. Arch./Eng.	JAS

LOYOLA UNIVERSITY NEW ORLEANS
Monroe Hall
 Renovation
 Project Name

TYPICAL CONCRETE, STEEL, AND MASONRY DETAILS
 Sheet Name

Drawing No. **S3-0**