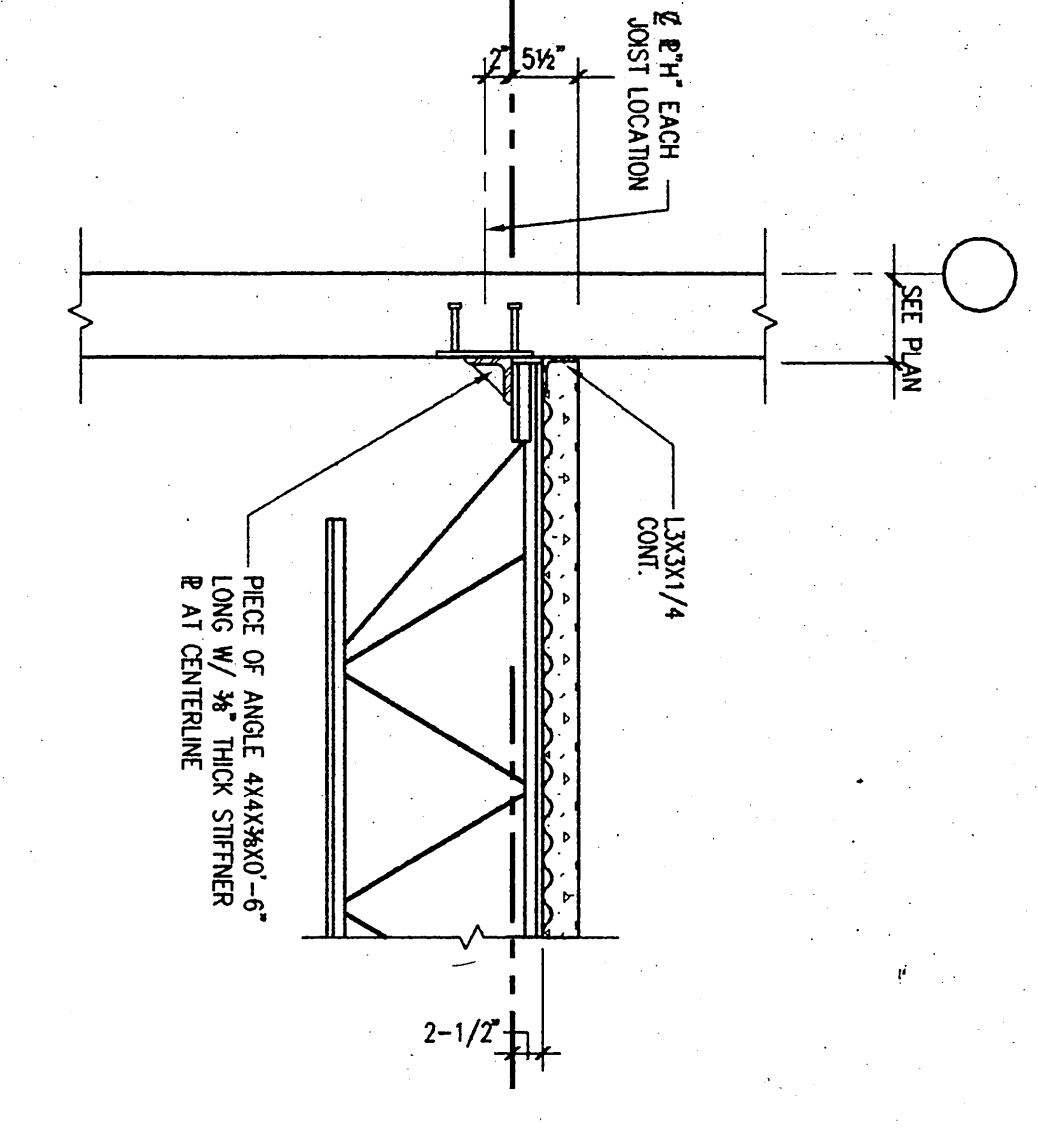
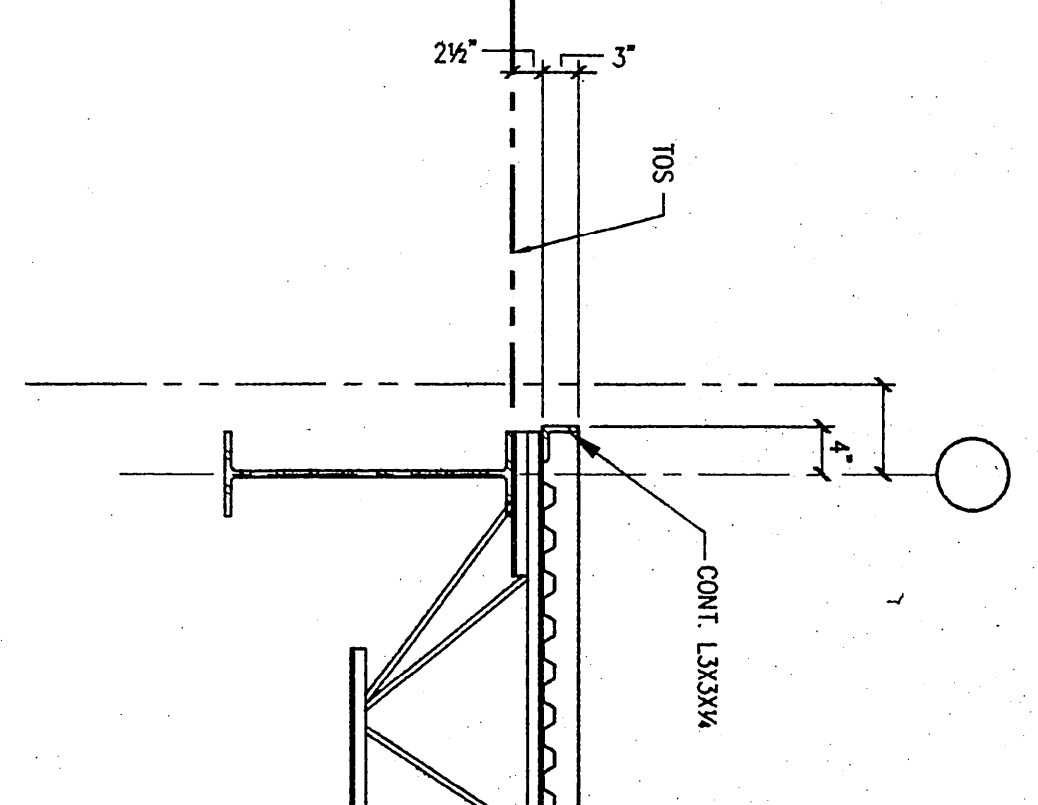
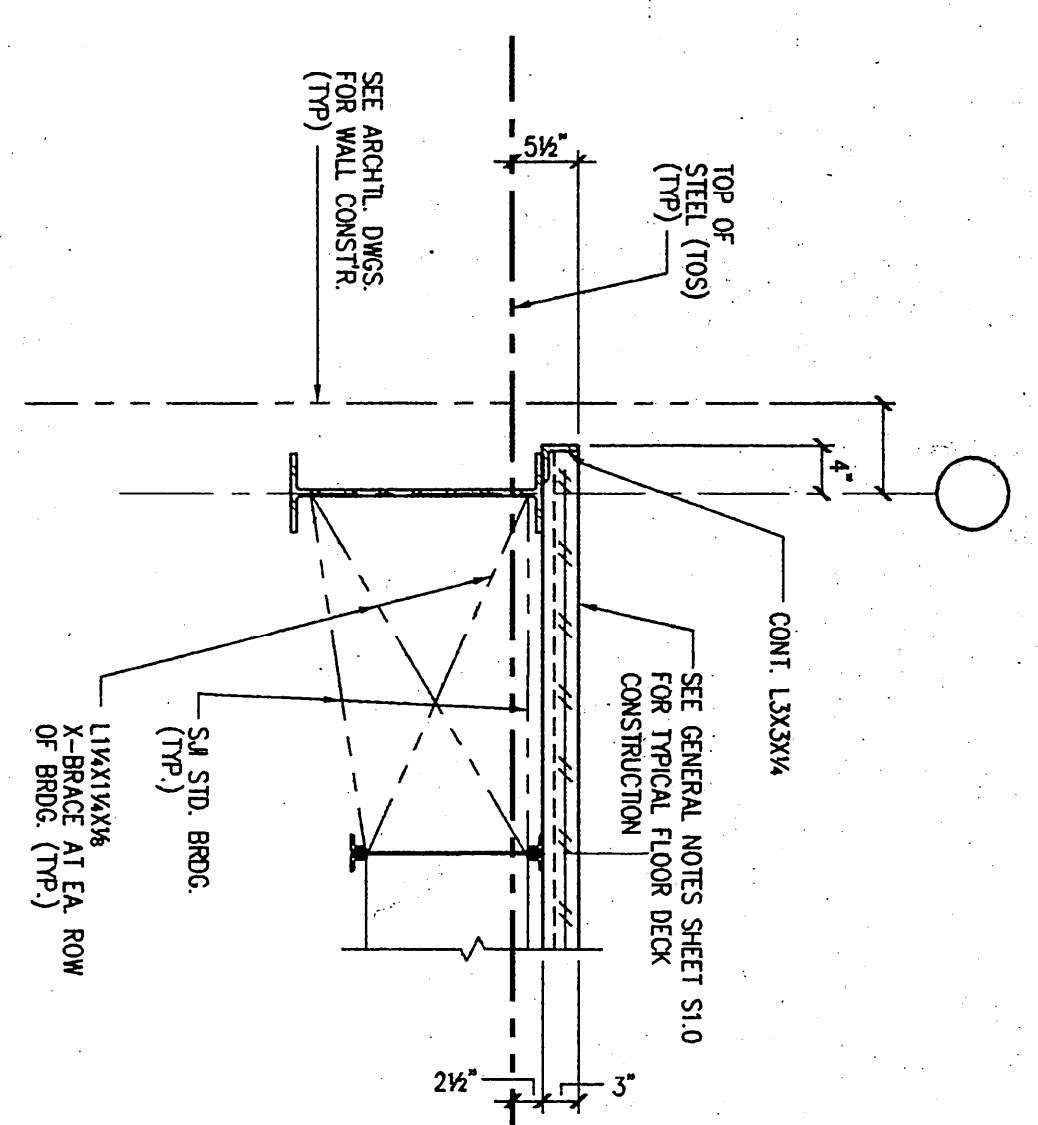
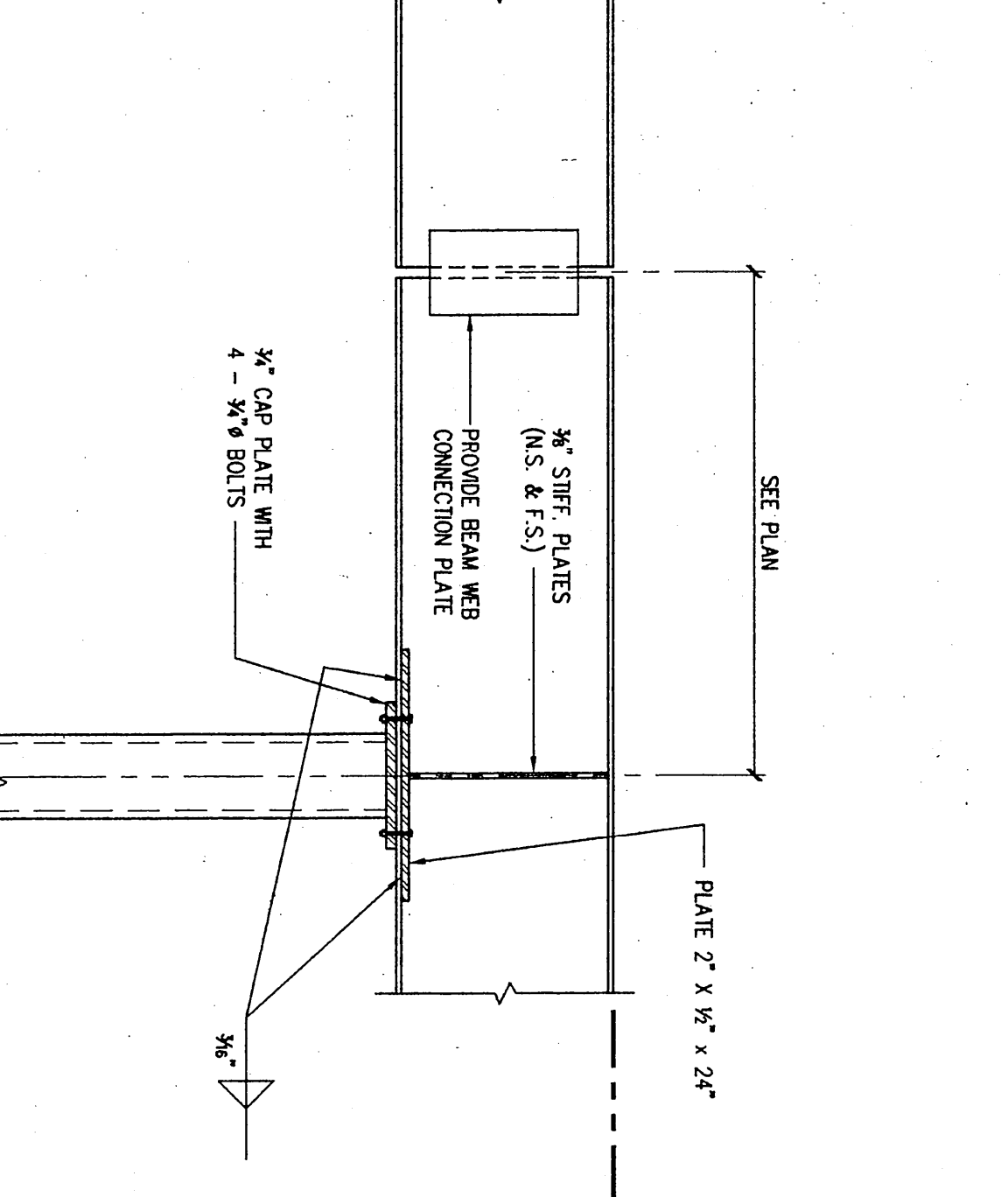
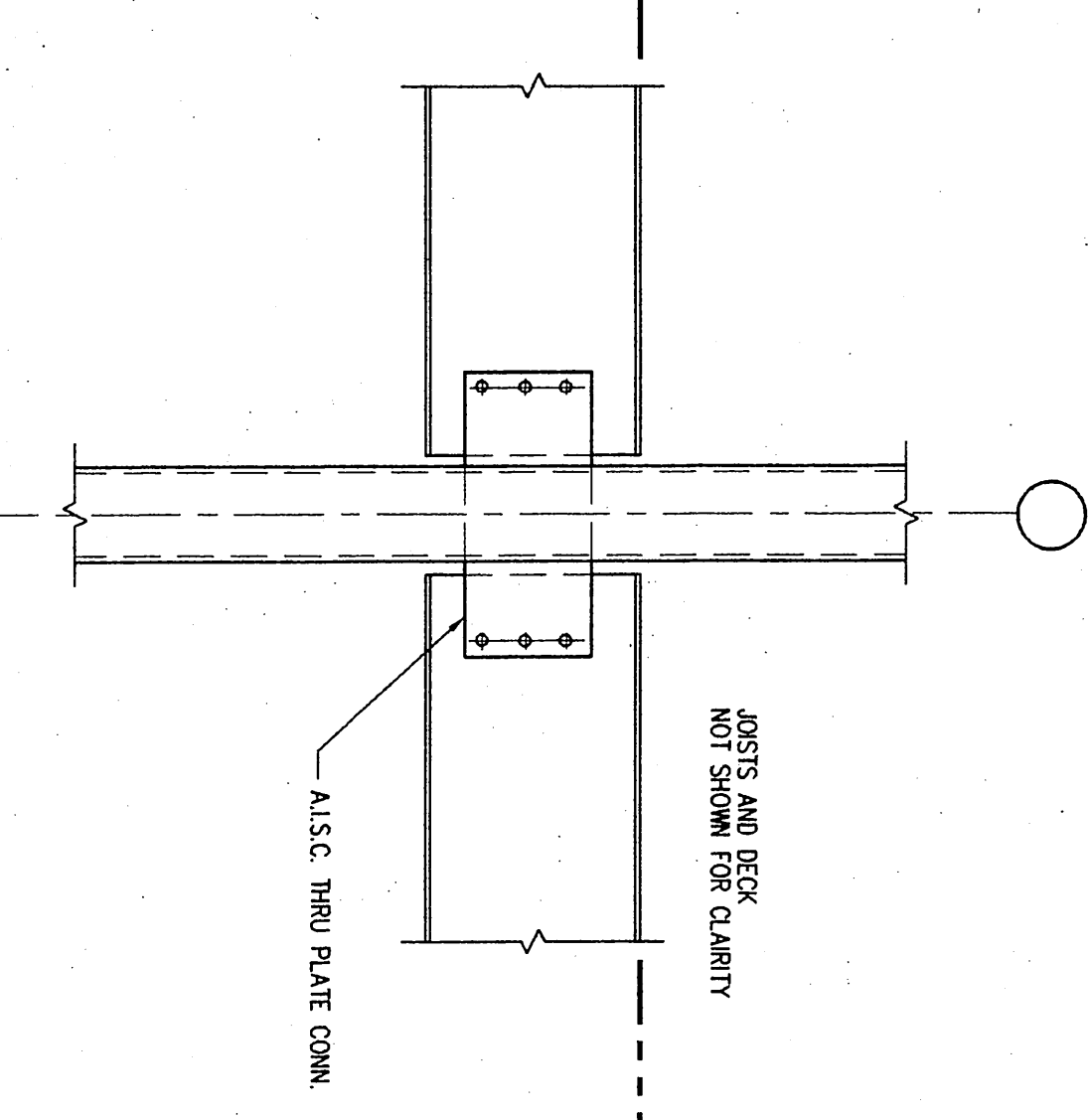
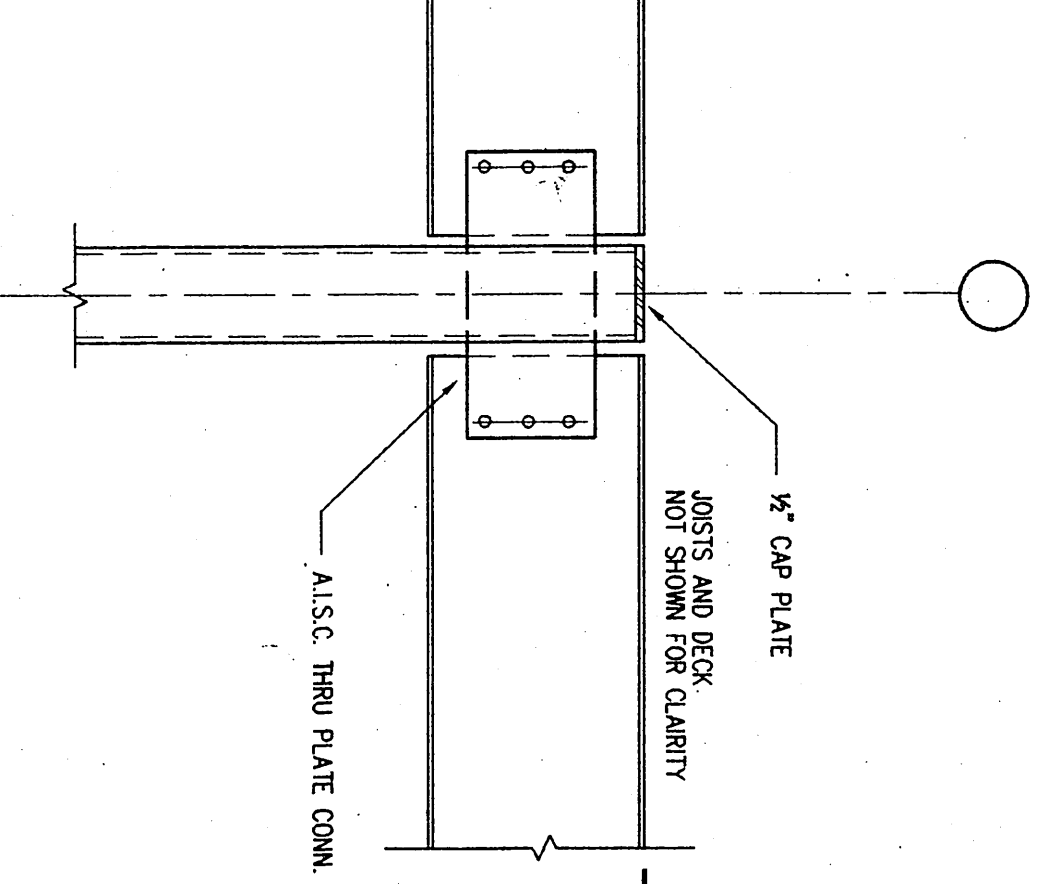
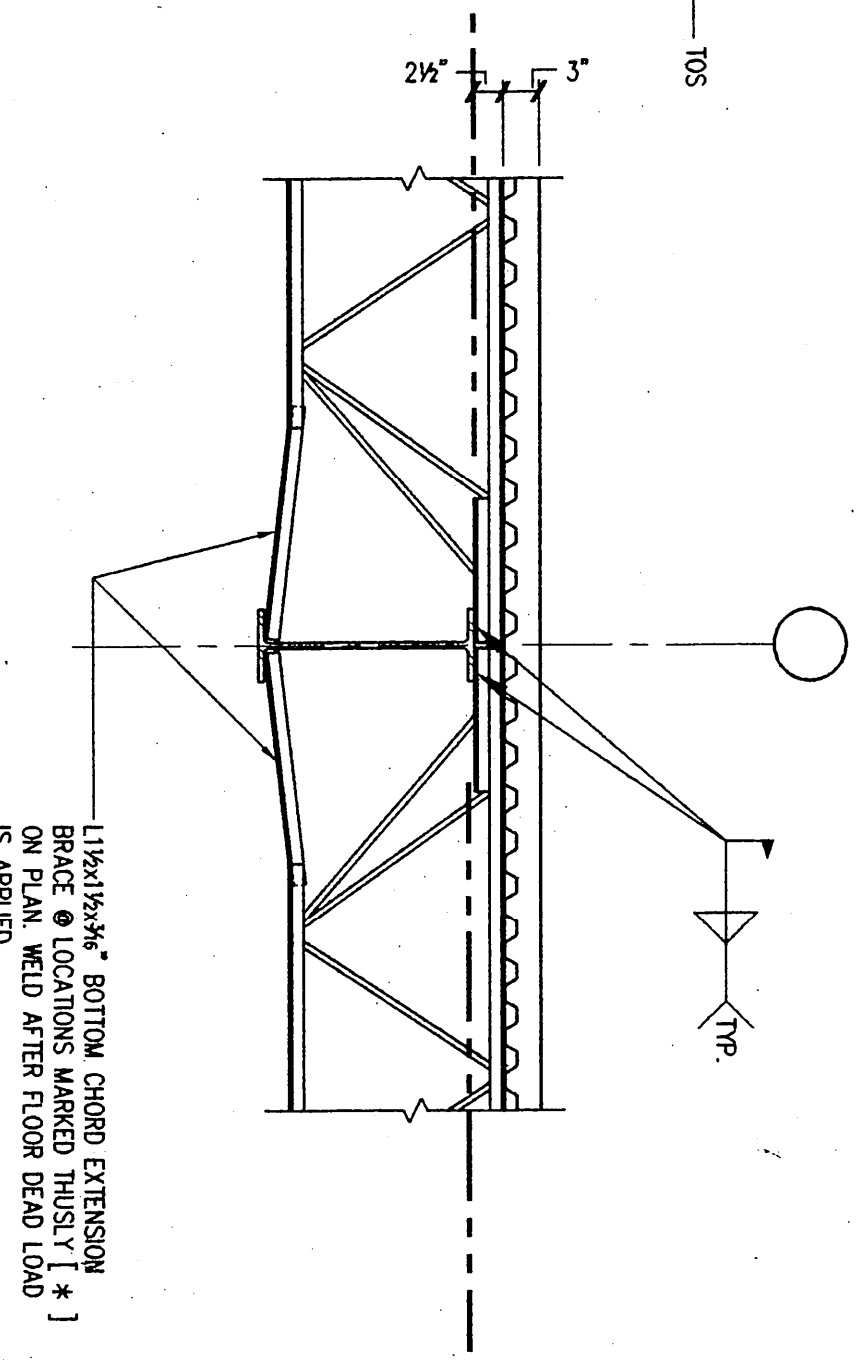
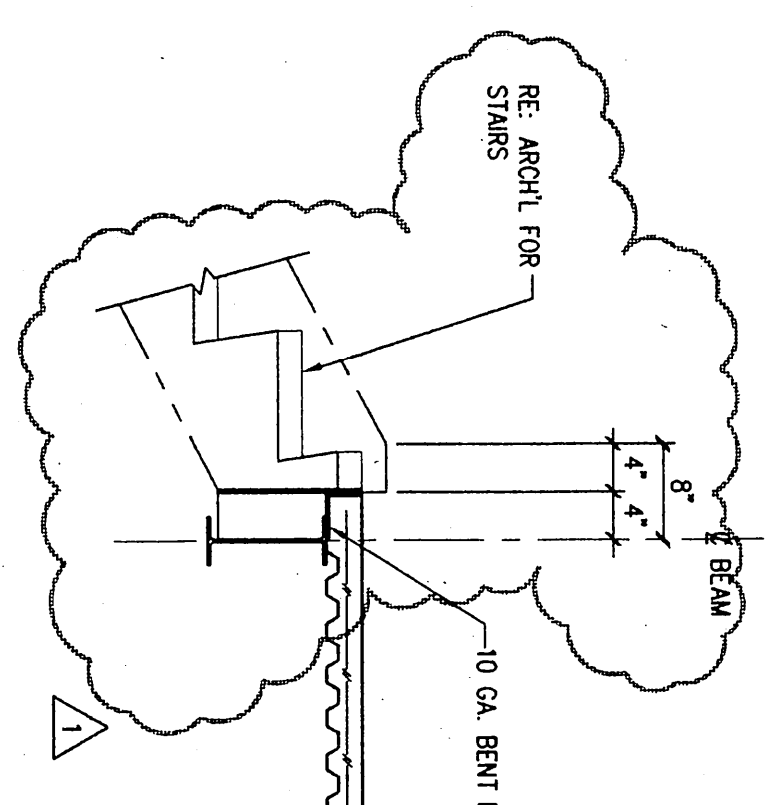


- MEZZANINE FRAMING NOTES**
1. MEZZANINE FIN FLOOR ELEV. TO BE +14'-0" ABOVE GROUND FLOOR REFERENCE ELEVATION = 0'-0".
 2. JOIST BEARING ELEV. = +13'-6"
 3. UNLESS NOTED OTHERWISE, MEZZANINE COLUMNS ARE TO BE 12.5" DIA.

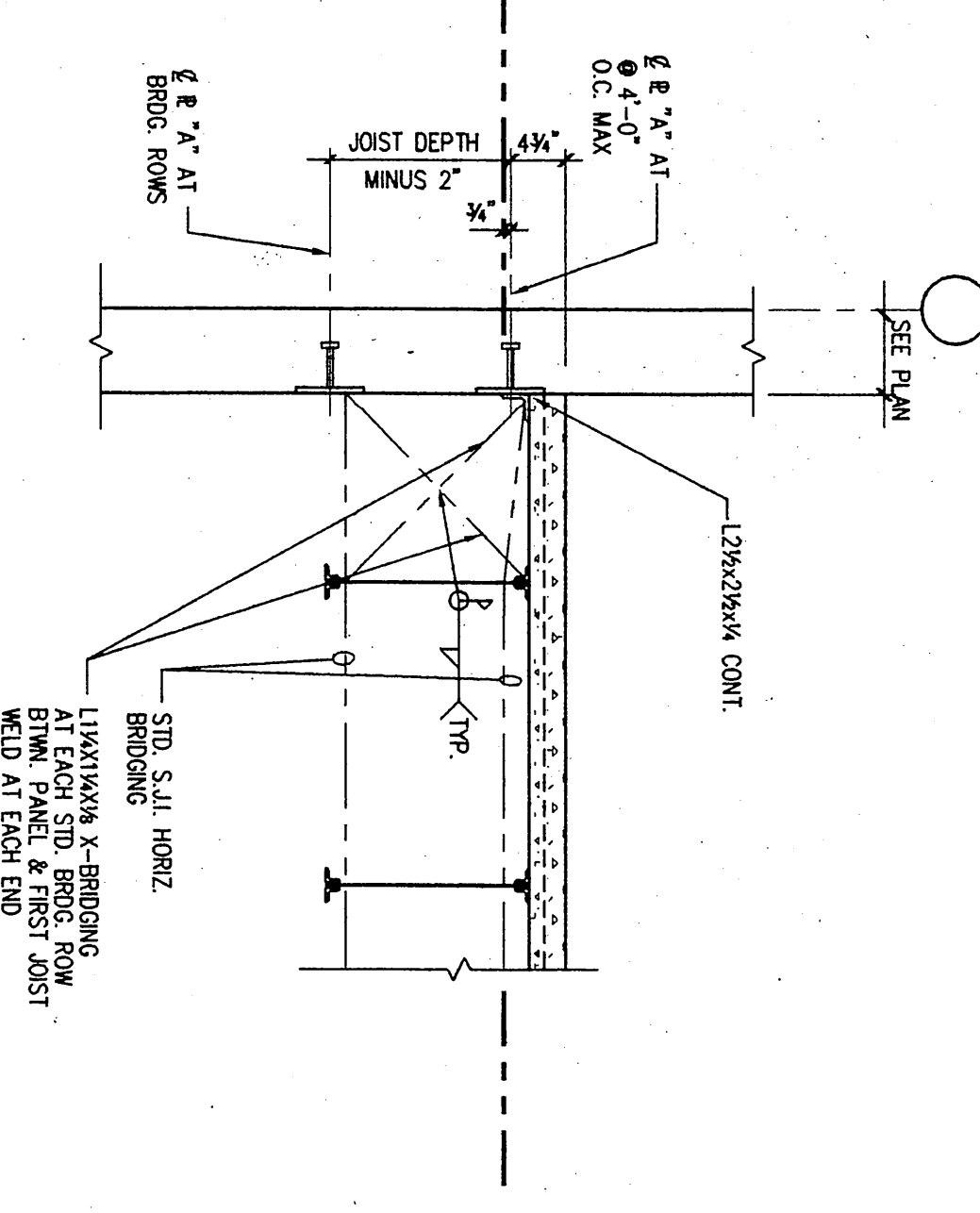
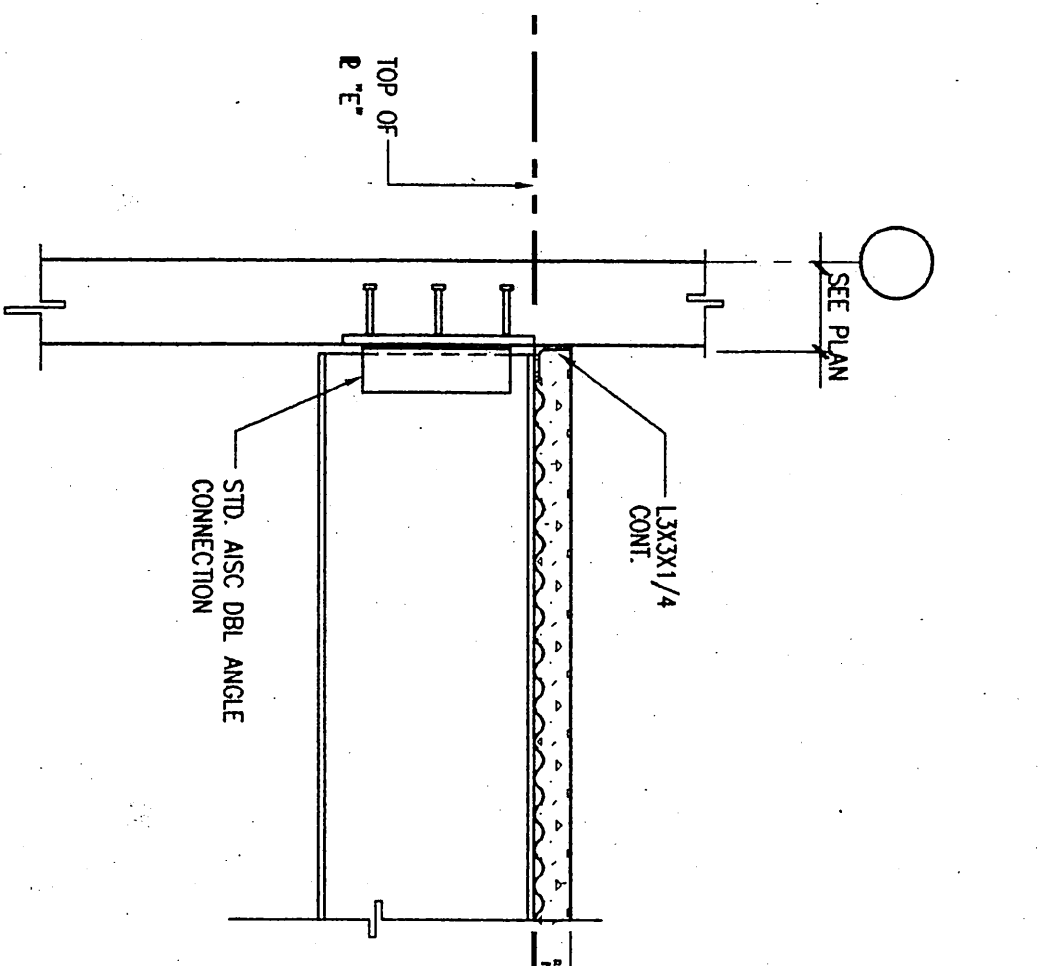
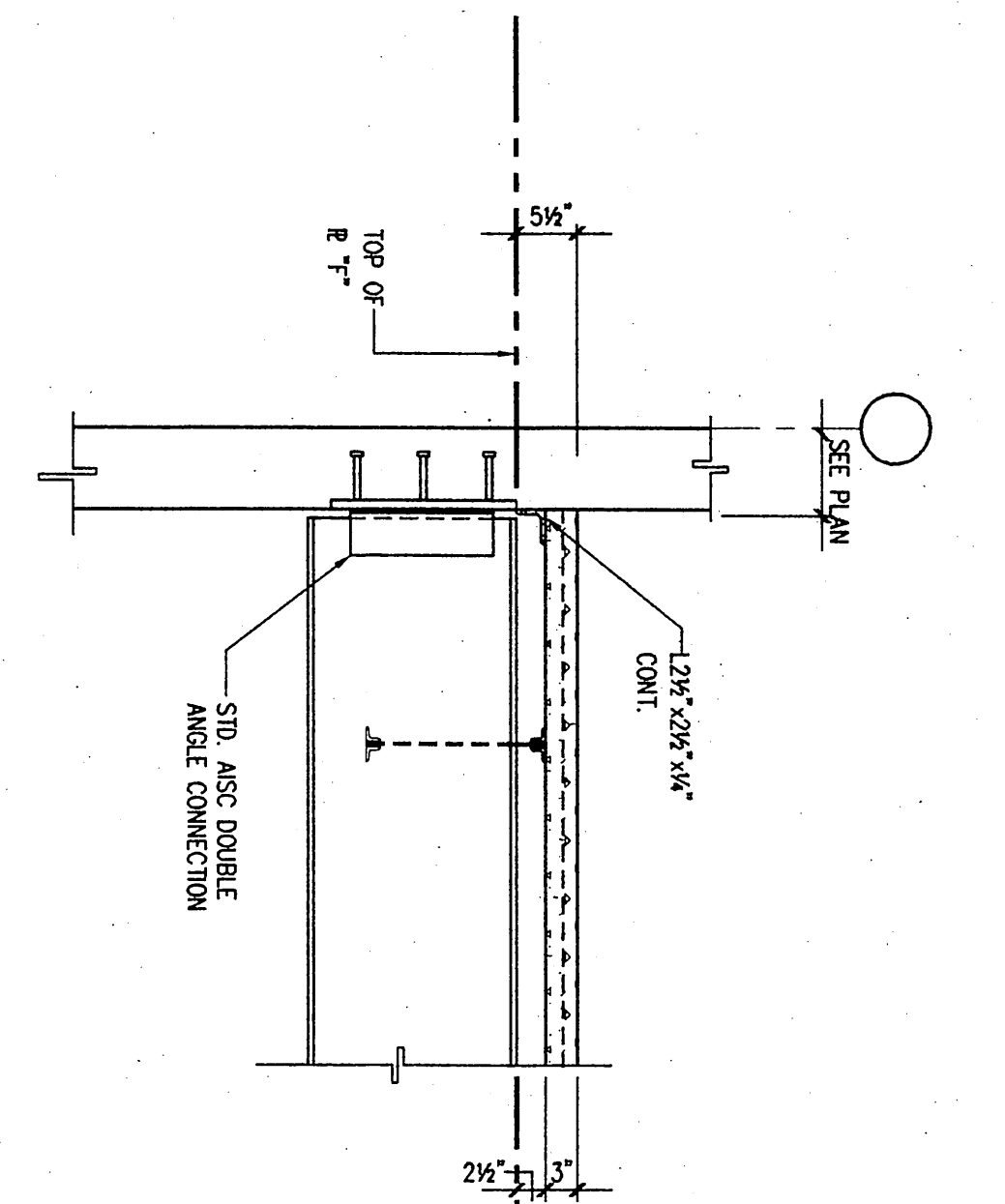
MEZZANINE FRAMING PLAN
 SCALE: 1/8" = 1'-0"



1
 SCALE: W = 1'-0" (UNCL.)

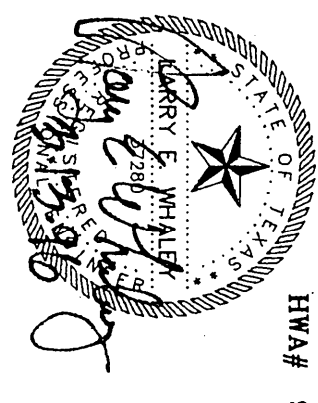
2

3



Glenn C. House, Jr. AIA
 Edward M. Reh, Jr. AIA
 William M. Burrell AIA
 811 Ross Street
 Suite 101
 Houston, Texas 77002
 713-227-0811
 713-227-0812 fax

HAYNES WHALEY ASSOCIATES, INC.
 Structural Engineers
 Houston, Texas
 HWA# 95-315-00



Owens & Minor Medical, Inc.

HRB# 85079
 Issues / Revisions
 ISSUE FOR PERMIT 20 February 1996
 REVISIONS 14 March 1996