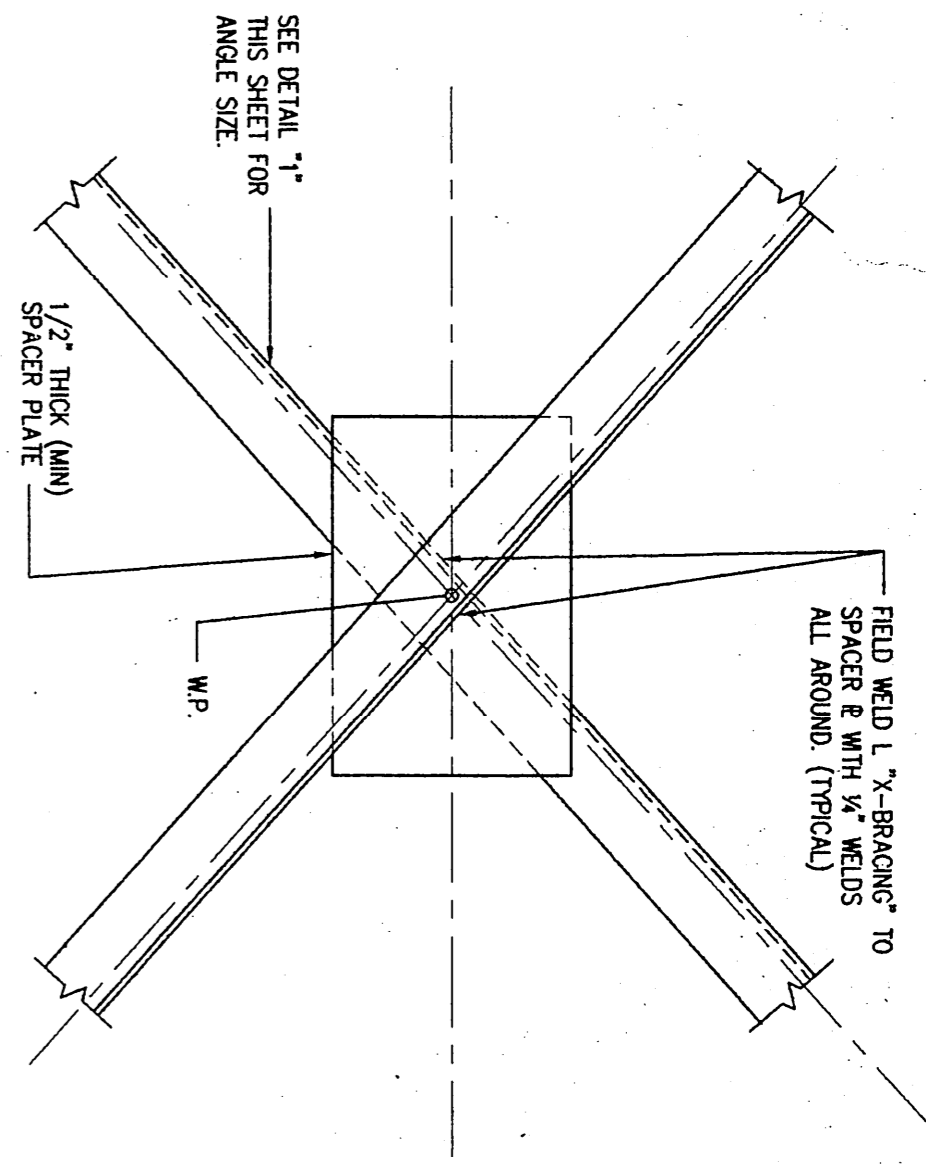
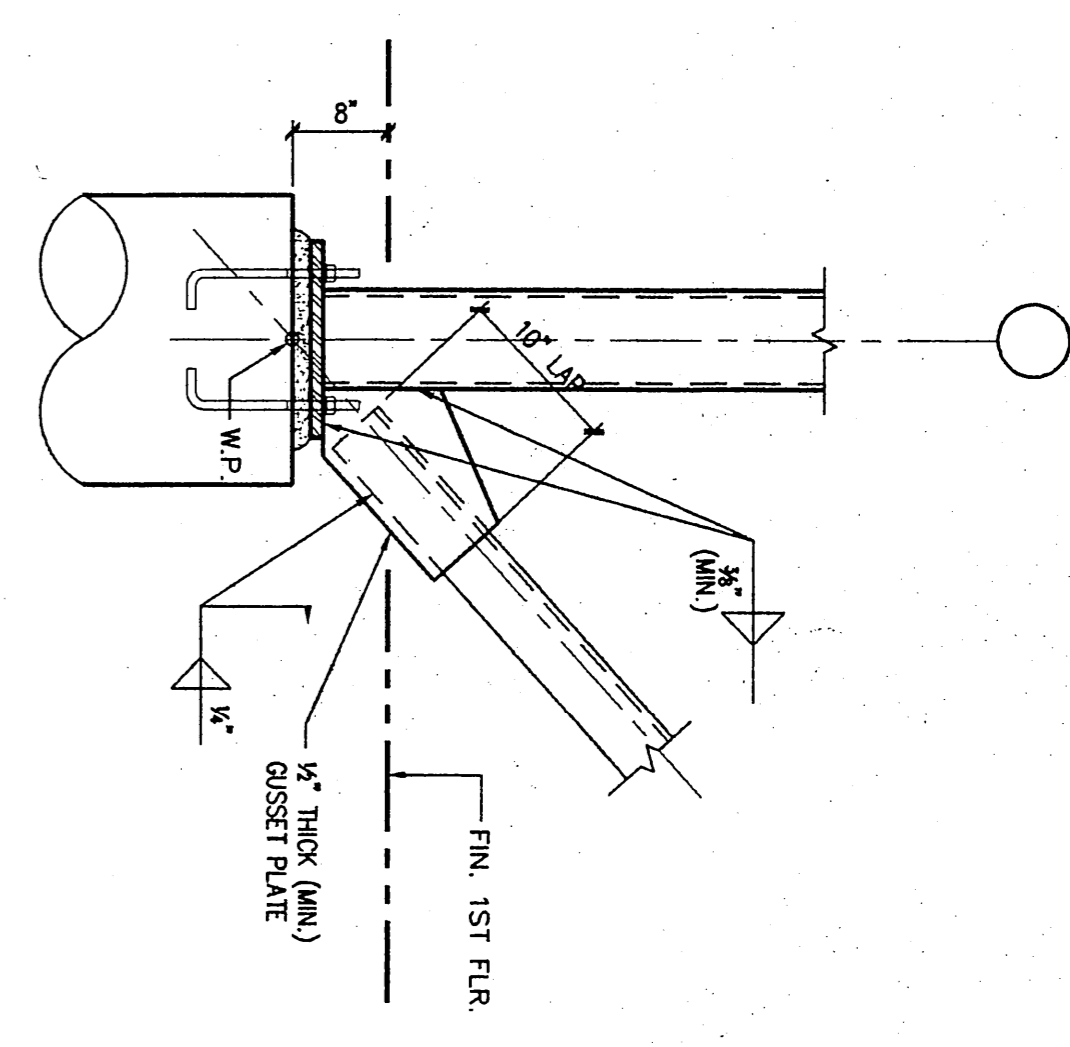


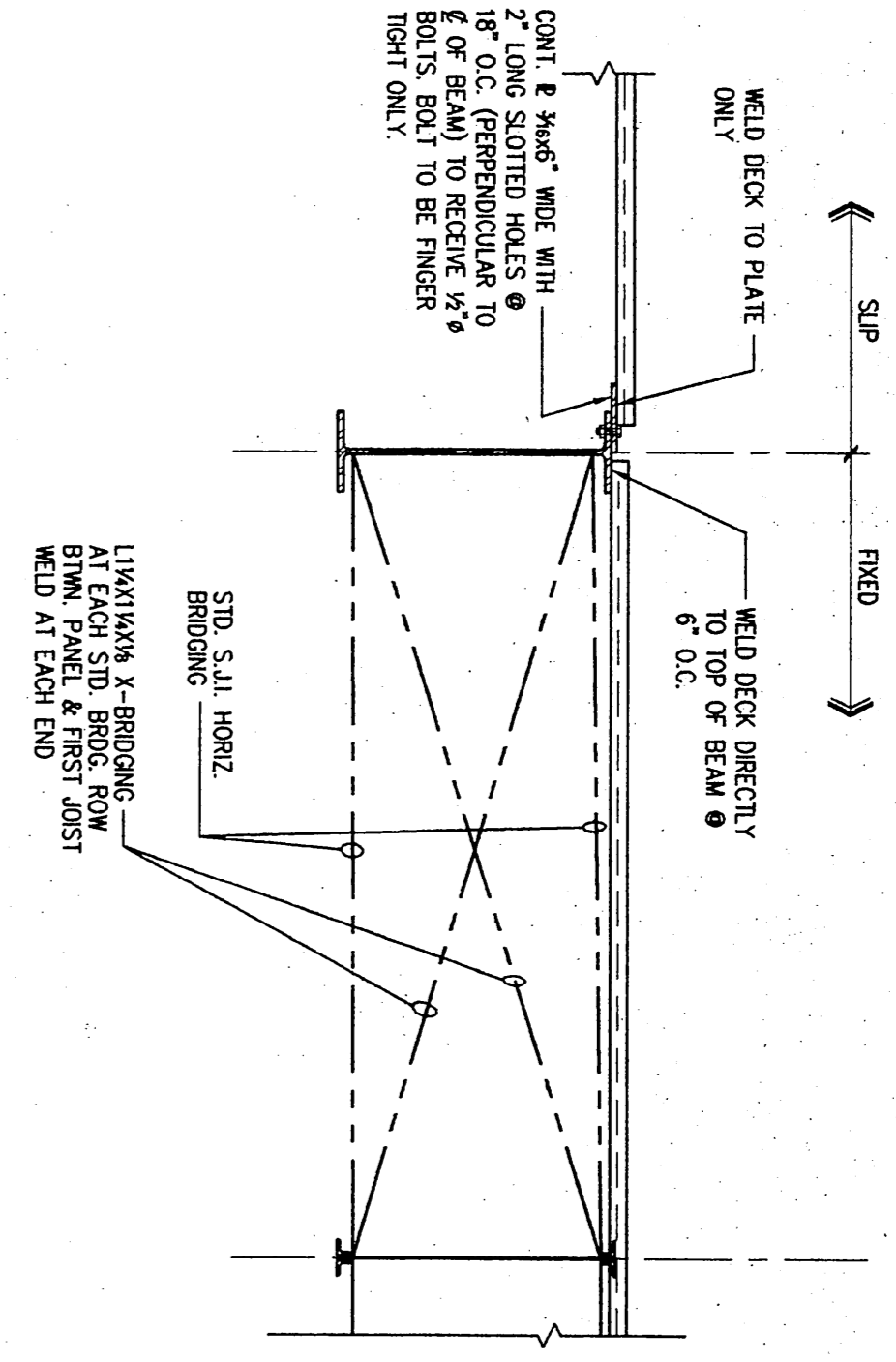
1
SCALE: NONE
TYPICAL 'X' BRACE' FRAME



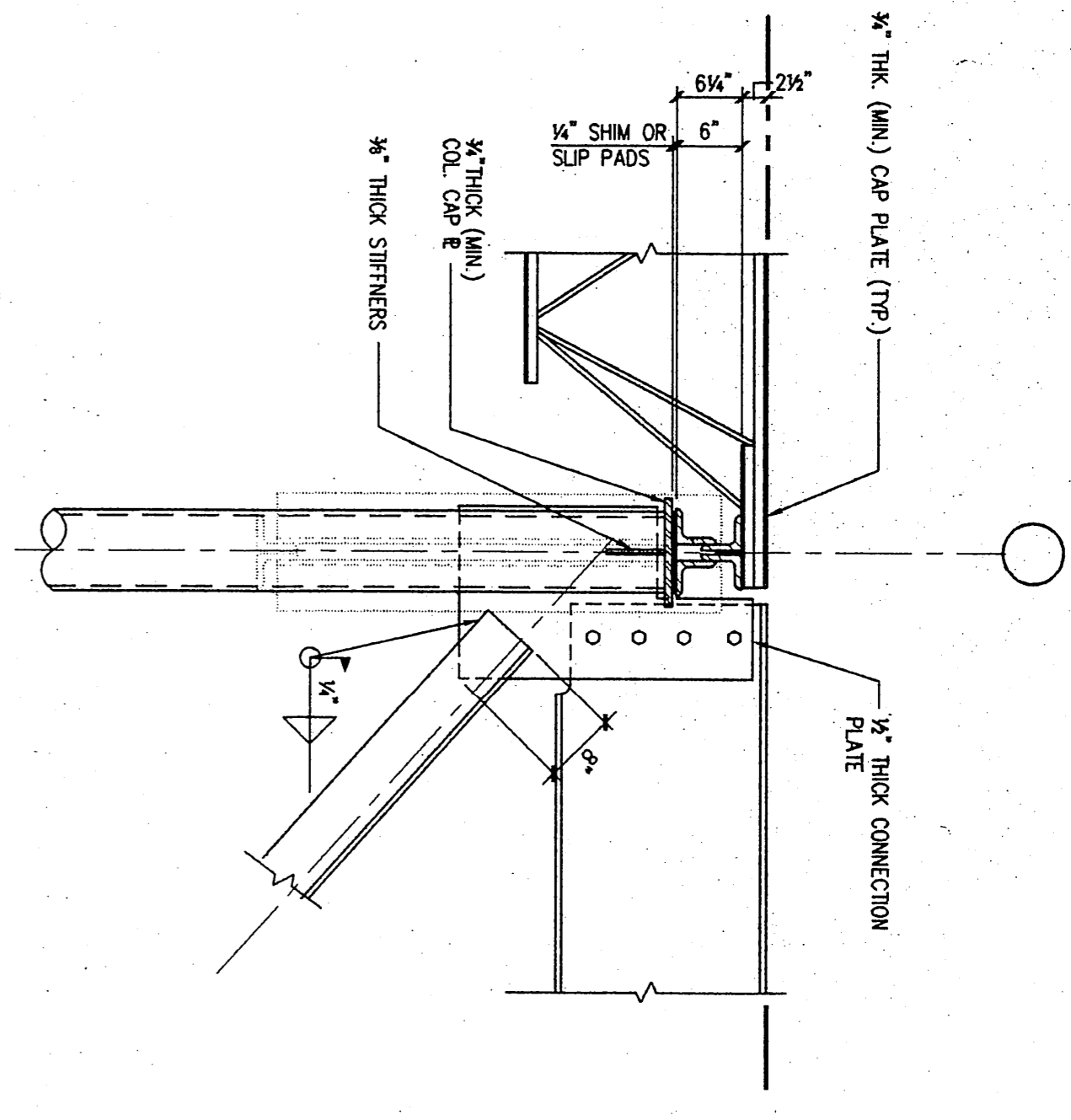
2
SCALE: 1/4\"/>



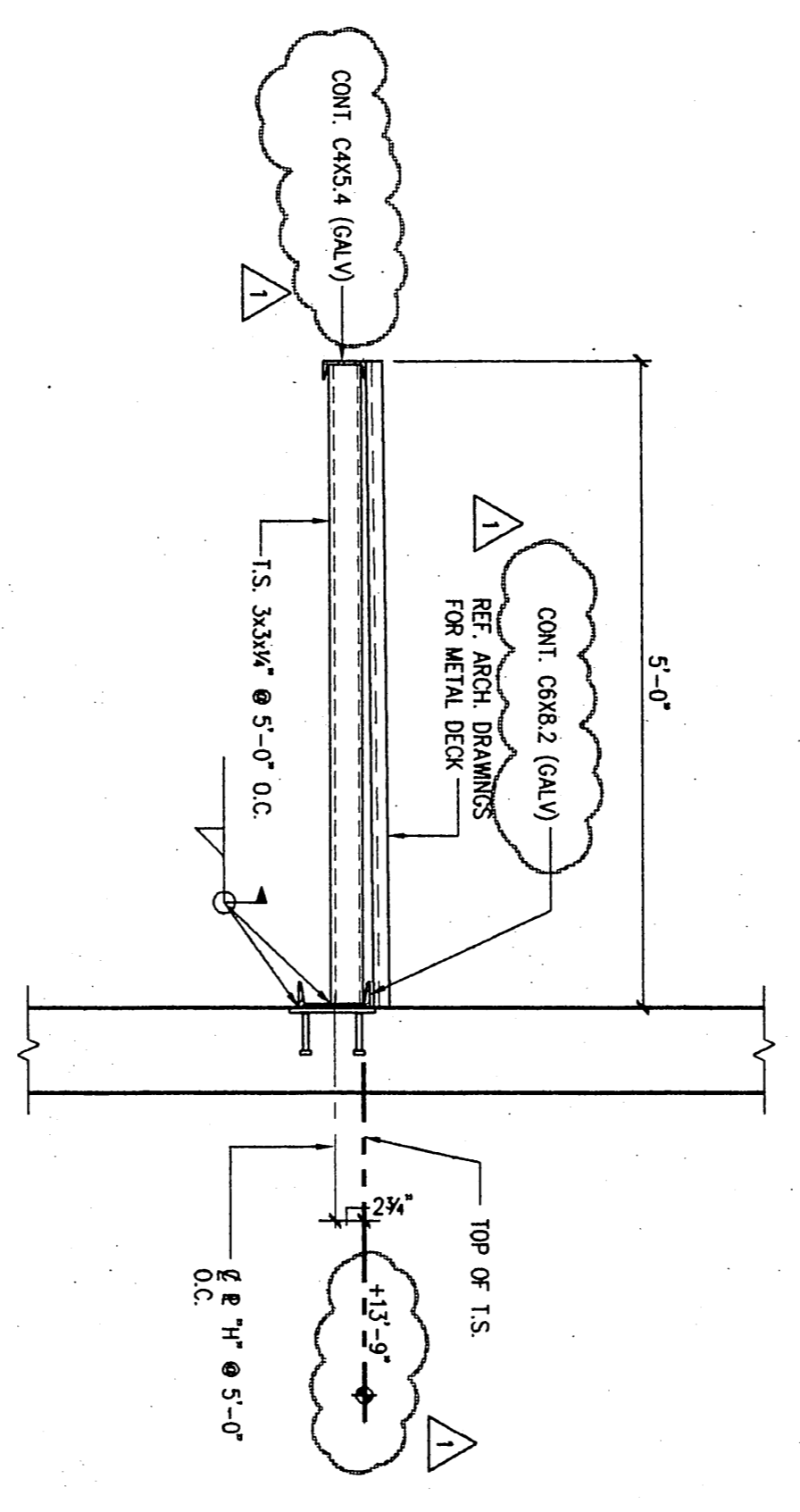
3



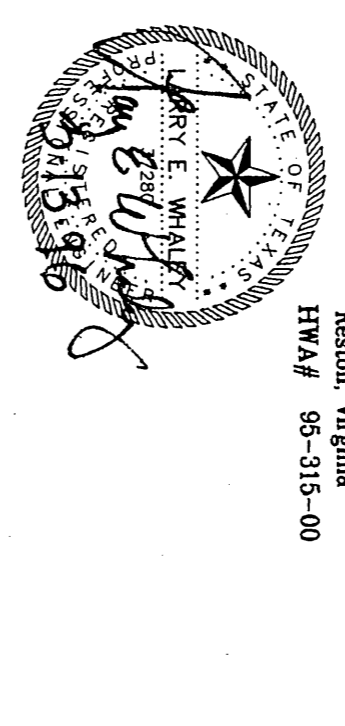
4



5



6



HANVES WHEALEY ASSOCIATES, INC.
 811 Rock Street
 Suite 101
 Houston, Texas 77002
 713-277-0811
 713-277-0812 fax

Owens & Minor Medical, Inc.

HBMJ 30173
 Issues / Revisions
 ISSUE FOR PERMIT 20 February 1986
 REVISIONS 14 March 1986