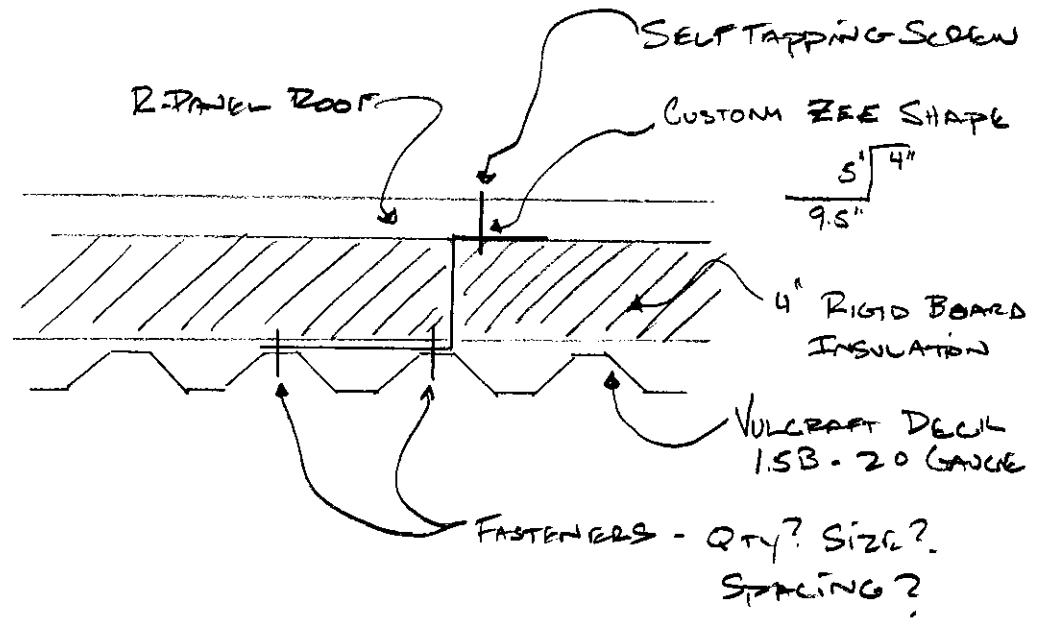


01/10/17



ROOF ATTACHMENT  
DETAIL

## 1.5 B, BI, BA, BIA

Maximum Sheet Length 42'-0"

Extra charge for lengths under 6'-0"

ICC ER-3415

Factory Mutual Approved\*

Deck type & gauge — Max. deck span

1.5B22, 1.5BI22..... 6'-0"

1.5B20, 1.5BI20..... 6'-6"

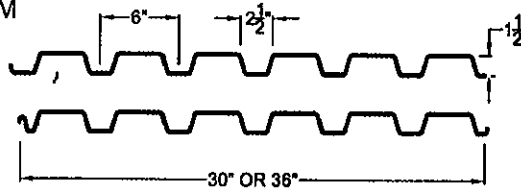
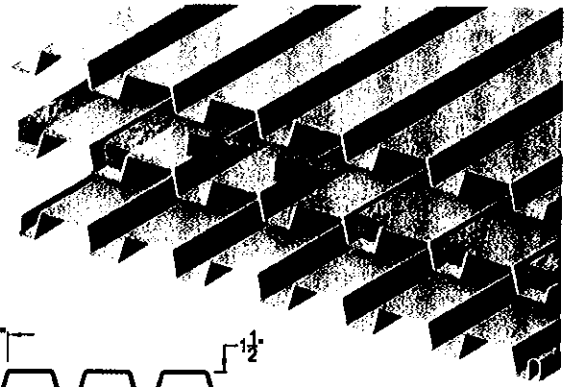
1.5B18, 1.5BI18..... 7'-5"

FM Approvals No. 0C8A7.AM & 0G1A4.AM

1.5B16, 1.5BI16..... 9'-4"

FM Approvals No. 3029260

\* Acoustical Deck is not approved by Factory Mutual



Interlocking side lap is not drawn to show actual detail.

ROOF

### SECTION PROPERTIES

Deck type	Design thickness in.	W psf	Section Properties				V <sub>s</sub> lbs/ft	F <sub>y</sub> ksi
			I <sub>p</sub>	S <sub>p</sub>	I <sub>n</sub>	S <sub>n</sub>		
			in <sup>4</sup> /ft	in <sup>3</sup> /ft	in <sup>4</sup> /ft	in <sup>3</sup> /ft		
B24	0.0239	1.46	0.107	0.120	0.135	0.131	2634	60
B22	0.0295	1.78	0.155	0.186	0.183	0.192	1818	33
B20	0.0358	2.14	0.201	0.234	0.222	0.247	2193	33
B19	0.0418	2.49	0.246	0.277	0.260	0.289	2546	33
B18	0.0474	2.82	0.289	0.318	0.295	0.327	2870	33
B16	0.0598	3.54	0.373	0.408	0.373	0.411	3578	33

### ACOUSTICAL INFORMATION

Deck Type	Absorption Coefficient						Noise Reduction Coefficient <sup>1</sup>
	125	250	500	1000	2000	4000	
1.5BA, 1.5BIA	.11	.18	.66	1.02	0.61	0.33	0.60

<sup>1</sup> Source: Riverbank Acoustical Laboratories.

Test was conducted with 1.50 pcf fiberglass batts and 2 inch polyisocyanurate foam insulation for the SDI.

Type B (wide rib) deck provides excellent structural load carrying capacity per pound of steel utilized, and its nestable design eliminates the need for die-set ends.

1" or more rigid insulation is required for Type B deck.

Acoustical deck (Type BA, BIA) is particularly suitable in structures such as auditoriums, schools, and theatres where sound control is desirable. Acoustic perforations are located in the vertical webs where the load carrying properties are negligibly affected (less than 5%).

Inert, non-organic glass fiber sound absorbing batts are placed in the rib openings to absorb up to 60% of the sound striking the deck.

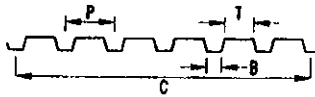
Batts are field installed and may require separation.

### VERTICAL LOADS FOR TYPE 1.5B

No. of Spans	Deck Type	Max. SDI Const. Span	Allowable Total (PSF) / Load Causing Deflection of L/240 or 1 inch (PSF)										
			Span (ft.-in.) ctr to ctr of supports										
			5-0	5-6	6-0	6-6	7-0	7-6	8-0	8-6	9-0	9-6	10-0
1	B24	4'-8"	115 / 56	95 / 42	80 / 32	68 / 26	59 / 20	51 / 17	45 / 14	40 / 11	35 / 10	32 / 8	29 / 7
	B22	5'-7"	98 / 81	81 / 61	68 / 47	58 / 37	50 / 30	44 / 24	38 / 20	34 / 17	30 / 14	27 / 12	25 / 10
	B20	6'-5"	123 / 105	102 / 79	86 / 61	73 / 48	63 / 38	55 / 31	48 / 26	43 / 21	38 / 18	34 / 15	31 / 13
	B19	7'-1"	146 / 129	121 / 97	101 / 75	86 / 59	74 / 47	65 / 38	57 / 31	51 / 26	45 / 22	40 / 19	36 / 16
	B18	7'-8"	168 / 152	138 / 114	116 / 88	99 / 89	85 / 55	74 / 45	65 / 37	58 / 31	52 / 26	46 / 22	42 / 19
2	B24	5'-10"	124 / 153	103 / 115	86 / 88	74 / 70	64 / 56	56 / 45	49 / 37	43 / 31	39 / 26	35 / 22	31 / 19
	B22	6'-11"	100 / 213	83 / 160	70 / 124	59 / 97	51 / 78	45 / 63	39 / 52	35 / 43	31 / 37	28 / 31	25 / 27
	B20	7'-9"	128 / 267	108 / 201	89 / 155	76 / 122	66 / 97	57 / 79	51 / 65	45 / 54	40 / 46	36 / 39	32 / 33
	B19	8'-5"	150 / 320	124 / 240	104 / 185	89 / 145	77 / 116	67 / 95	59 / 78	52 / 65	47 / 55	42 / 47	38 / 40
	B18	9'-1"	169 / 369	140 / 277	118 / 213	101 / 188	87 / 134	76 / 109	67 / 90	59 / 75	53 / 63	48 / 54	43 / 48
3	B24	6'-10"	154 / 120	128 / 90	108 / 89	92 / 55	79 / 44	68 / 35	61 / 29	54 / 24	48 / 21	43 / 17	39 / 15
	B22	6'-11"	124 / 167	103 / 126	87 / 97	74 / 76	64 / 61	56 / 50	49 / 41	43 / 34	39 / 29	35 / 24	31 / 21
	B20	7'-9"	159 / 209	132 / 157	111 / 121	95 / 95	82 / 76	72 / 62	63 / 51	56 / 43	50 / 36	45 / 31	40 / 26
	B19	8'-5"	186 / 250	154 / 188	130 / 145	111 / 114	96 / 81	84 / 74	74 / 61	65 / 51	58 / 43	52 / 37	47 / 31
	B18	9'-1"	210 / 289	174 / 217	147 / 167	126 / 132	108 / 105	95 / 86	83 / 71	74 / 59	66 / 50	59 / 42	54 / 36
B16	10'-3"	264 / 369	219 / 277	185 / 214	158 / 168	136 / 135	119 / 109	105 / 90	93 / 75	83 / 63	74 / 54	67 / 46	

Notes: 1. Minimum exterior bearing length required is 1.50 inches. Minimum interior bearing length required is 3.00 inches. If these minimum lengths are not provided, web crippling must be checked.

# TECHNICAL PRODUCT INFORMATION



		Approximate Dimensions in Inches																					
		Indiana				Nebraska				South Carolina				Texas				Alabama / New York					
Deck Type	Gauge	C	P	T	B	C	P	T	B	C	P	T	B	C	P	T	B	C	P	T	B		
ROOF	1.5B, 1.5BI, 1.5BA, 1.5BIA	24 22 20 19 18 16	NA 36 36 36 36 36	6.00	3.50	1.75	30 36 36 36 36 36	6.00	3.50	1.75	36 36 36 36 36 36	6.00	3.50	1.75	NA 36 36 36 36 36	6.00	3.50	1.75	36 36 36 36 36 36	6.00	3.50	1.75	
	1.5F	22 20 18	30	6.00	4.25	0.50	36	6.00	4.25	0.50	36	6.00	4.25	0.50	36	6.00	4.25	0.50	36	6.00	4.25	0.50	
	1.5A	22 20 18	36	6.00	5.00	0.38	36	6.00	5.00	0.38	36	6.00	5.00	0.38	NA	-	-	-	NA	-	-	-	
	3N, 3NI*, 3NA, 3NIA*	22 20 18 16	24	8.00	5.38	1.88	24	8.00	5.38	1.88	24	8.00	5.38	1.88	24	8.00	5.38	1.88	24	8.00	5.38	1.88	
	1.0E	26 24 22 20	36	4.00	1.13	1.13	32	4.00	1.01	1.25	33	3.67	0.90	0.90	33	3.67	1.00	1.00	36	4.00	1.13	1.13	
NON-COMPOSITE	0.6C and 0.6CSV**	28 26 24 22	NA 30 30 NA	2.50	0.62	0.62	NA 36 36 36	3.04	0.63	0.63	35 35 35 35	2.50	0.75	0.75	30 35 35 35	2.50	0.62	0.62	30 30 30 30	2.50	0.75	0.75	
	1.0C and 1.0CSV*	26 24 22 20	36	4.00	1.13	1.13	32	4.00	1.25	1.01	33	3.67	0.90	0.90	33	3.67	1.00	1.00	36	4.00	1.13	1.13	
	1.3C and 1.3CSV	28 24 22 20	NA	-	-	-	NA	-	-	-	NA	-	-	-	32	4.57	1.06	1.06	NA	-	-	-	
	1.5C	24 22 20 18	NA 36 36 36	6.00	1.75	3.50	30 36 36 36	6.00	1.75	3.50	36 36 36 36	6.00	1.75	3.50	30 36 36 36	6.00	1.75	3.50	36 36 36 36	6.00	1.75	3.50	
	2C	22 20 18 16	36	12.0	5.00	5.00	36	12.0	5.00	5.00	36	12.0	5.00	5.00	36	12.0	5.00	5.00	36	12.0	5.00	5.00	
	3C	22 20 18 16	36	12.0	4.75	4.75	36	12.0	4.75	4.75	36	12.0	4.75	4.75	36	12.0	4.75	4.75	36	12.0	4.75	4.75	
COMPOSITE	1.5VL and 1.5VLI	22 20 19 18 16	36	6.00	3.50	1.75	36	6.00	3.50	1.75	36	6.00	3.50	1.75	36	6.00	3.50	1.75	36	6.0	3.50	1.75	
	1.5VLR	22 20 19 18 16	36	6.00	1.75	3.50	36	6.00	1.75	3.50	36	6.00	1.75	3.50	36	6.00	1.75	3.50	36	6.0	1.75	3.50	
	2VLI	22 20 19 18 16	36	12.0	5.00	5.00	36	12.0	5.00	5.00	36	12.0	5.00	5.00	36	12.0	5.00	5.00	36	12.0	5.00	5.00	
	3VLI	22 20 19 18 16	36	12.0	4.75	4.75	36	12.0	4.75	4.75	36	12.0	4.75	4.75	36	12.0	4.75	4.75	36	12.0	4.75	4.75	

- NOTES:
- \* This profile is not available from Indiana and Alabama.
  - \*\* This profile is not available from Nebraska and Indiana.
  - Indiana offers 16 gauge for 1.5B, 3N and 3NA only.
  - No profile in 16 gauge is available from Alabama.