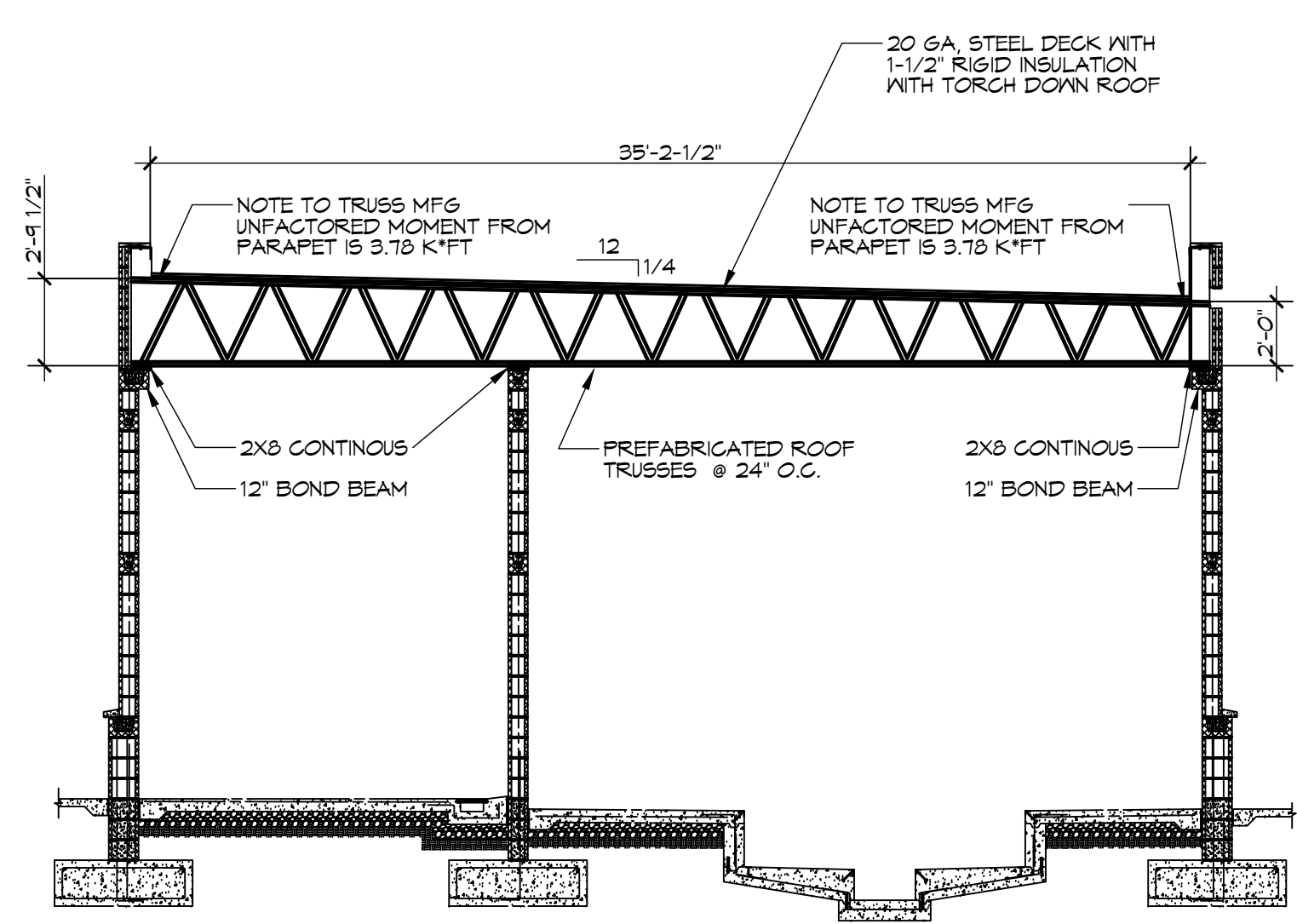


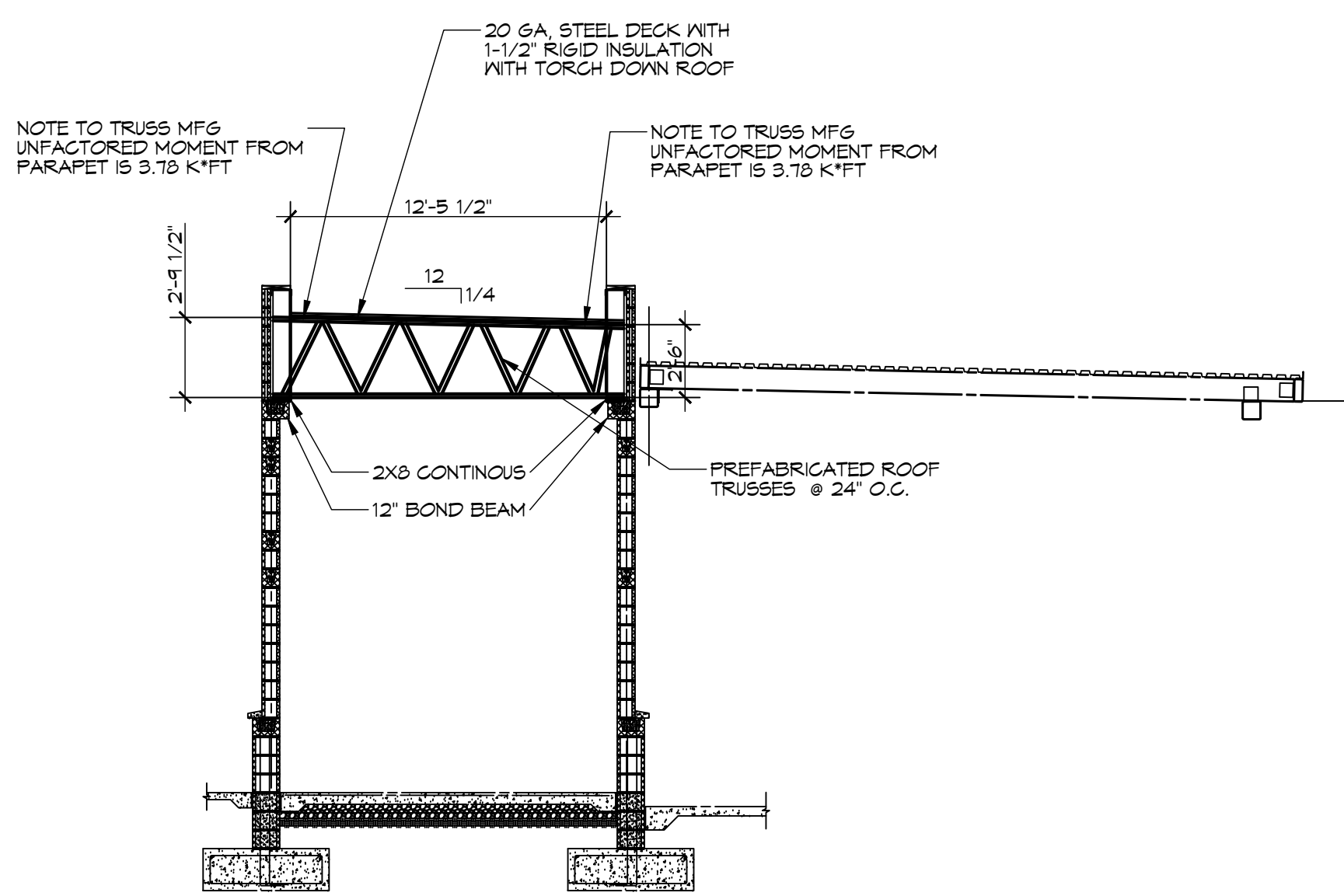
- DESIGN DATA**
- Design Codes - (All latest editions unless noted otherwise.)
 - International Building Codes (IBC 2018)
 - American Society of Civil Engineers (ASCE 7-16) Minimum Design Loads for Buildings and Other Structures
 - American Concrete Institute (ACI)
 - American Institute of Steel Construction (AISC)
 - American Welding Society (AWS)
 - American Iron and Steel Institute Specifications for the Design of Cold Formed Steel Structural Members (AISJ)
 - National Design Specification for Wood Construction (ANSI/AF&PA NDS-2001)
 - Steel Deck Institute (SDI)
 - Design Loads (IBC & ASCE7)
 - Roof: 20 psf
 - Exterior Stud Wall: Self Weight
 - Exterior CMU Wall: Self Weight
 - Live Load Design Data: 100 psf
 - Live Roof Load Design Data: 20 psf (Sloped), 20 psf (Flat)
 - Wind Design Data: Risk Category II, Velocity 160mph, Wind Exposure Category C, Internal Pressure Coefficient, GC_{pi} 0.18±
 - Snow Design Data: Importance Factor for Snow, I_s 1.0, Ground Snow Load, P_g 0 psf, Exposure Coefficient, C_e 1.0, Thermal Factor, C_t 1.0, Roof Slope Factor, C_s 1.0, Flat Roof Snow Load, P_f 0 psf
 - Seismic Criteria: Risk Category II, Seismic Impartance Factor, I_E 1.0, Site Soil Class E, Mapped Spectral Response Coefficients $S_{S1} = 0.0956 / S_{S1} = 0.059$, $S_{S2} = 0.153 / S_{S2} = 0.165$
 - Seismic Design Category C
 - Basic Seismic Force Resisting System: Ordinary Masonry Reinforced Shear Wall
 - Design Base Shear: 0.0306W
 - Seismic Response Coefficient, C_s 0.03
 - Response Modifications Factor, R: 5.0
 - Analysis Procedure: Equivalent Lateral Force
 - Deflection and Drift Limitations: Roof/Floor Members L/360, L/240, H/600, L/600, Story Drift (Seismic) 0.025 h_{max}
 - Building Drift: L/240
 - Max Wall Deflection: H/600
 - Story Drift (Seismic): 0.025 h_{max}

1 OVERALL ROOF FRAMING PLAN
SCALE: 3/16" = 1'-0"

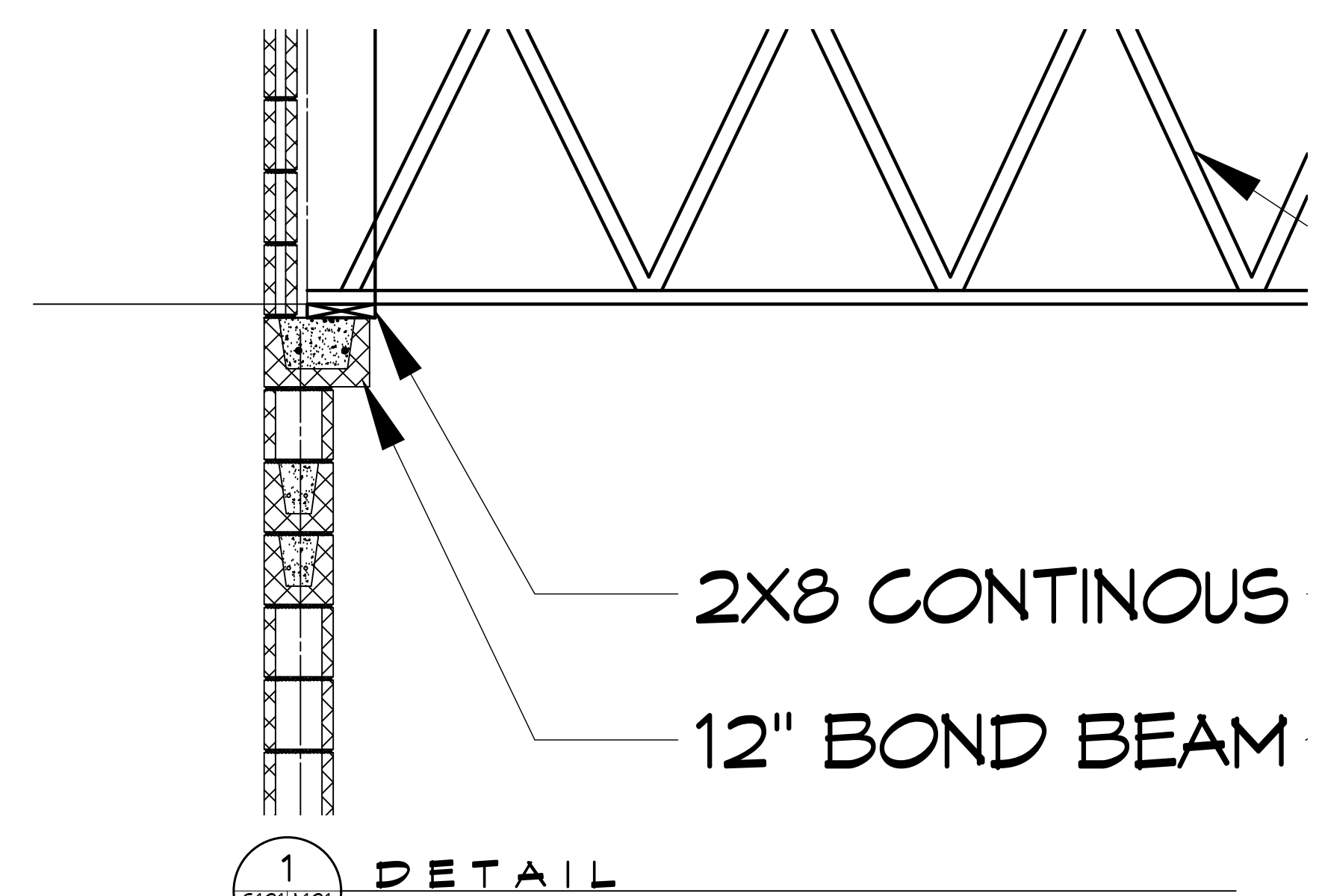
CARWASH PLAN



A SECTION
SCALE: 3/16" = 1'-0"



B SECTION
SCALE: 3/16" = 1'-0"



1 DETAIL
SCALE: 3/16" = 1'-0"

DAMMON ENGINEERING, INC.
LOUISIANA & MISSISSIPPI
www.dammonengineering.com
info@dammonengineering.com
PH: 985.649.4832
Chief Engineer: Brian March, PE
554 Old Spanish Trail
Stielit, LA 70458

REVISIONS	DATE
#	DESCRIPTION



A NEW CARWASH FOR
CHEEKY MOONKEY
11252 LORRAINE RD
GULFPORT, MISSISSIPPI 39503
JOB No: 2024 | DATE: 03-19-24
DRAWN BY: CKD | CHECKED BY: BAM

SHEET TITLE:
ROOF FRAMING PLAN
DRAWING NUMBER:
S101
SHEET No: 1 of 1