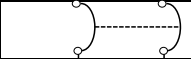

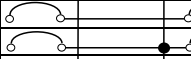

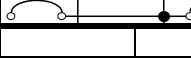
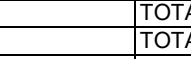
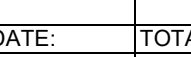



DIRECTORY		WATTS LOAD		CKT NO.	AMPS		AMPS	CKT NO.	WATTS LOAD		DIRECTORY	
		L1	L2						L1	L2		
Freezer 1	1575		1	40		40	2	1575		Freezer 2		
		1575								1575	Freezer 3	
Ice Cream	1000		1	30			40	2	1575			
		1000								1575		
Space											Space	
Space											Space	
Space											Space	
Space											Space	
Space											Space	
SUBTOTAL		2575	2575					3150	3150	SUBTOTAL		
VOLTAGE: 240/120		PHASE: 1		WIRE: 3		TOTAL WATTS, L1		5725	PANEL NO.		P3	
MAIN BREAKER: YES		FRAME: 100 AMP		TRIP: 100 AMP		TOTAL WATTS, L2		5725				
MAIN BUS: 100 AMP		NTL BUS: YES		GND BUS: YES					LOCATION		STORAGE ROOM	
MANUFACTURER: GE		MODEL: LOAD CENTER		MFG DATE:		TOTAL WATTS		11450				
NOTES: FED FROM PANEL M1, BREAKER 23/25						MOUNTING: SURFACE						