

LED INGROUND LIGHT (XIG)



DOE LIGHTING FACTS

Department of Energy has verified representative product test data and results in accordance with its Lighting Facts Program. Visit www.lightingfacts.com for specific catalog strings.

US patent 8,152,334 and US & Int'l. patents pending

EXPECTED LIFE - Minimum 60,000 hours to 100,000 hours depending upon the ambient temperature of the installation location. See LSI web site for specific guidance.

LEDS - Select high-brightness LEDs in Cool White (5000K) or Warm White (3500K) color temperature. 68CRI

DRIVER CURRENT - Available in 350mA

OPTICS / AIMING - Available with 10°, spot, 25° or 40° flood horizontal beam angle distributions. Optics can be tilted +/- 15° from vertical via external aiming screw, with tamper-resistant spanner tool. Adjustment tool provided.

HOUSING - Composite rough-in housing never corrodes; field-proven to last for more than 20 years without maintenance. Luminaire housing is 85% copper alloy for wet locations. CNC precision machined to insure proper sealing.

DRIVER OVER CAPABILITY - 4,000 lbs. vehicle weight.

OPTICAL UNIT - 15mm low-iron tempered glass lens does not change color of light emitted. 19mm thick lens supplied with stainless steel trim option to retain flush surface. Sealed optical chamber is aimable from outside the unit to ensure integrity of the seal. No heat in the LED light beam means a cool lens - no risk of burns to bare feet. Optional slip resistant lens available, to enhance public safety.

INSTALLATION - Rough-in housing can be shipped ahead for pre-casting in concrete. Luminaire connects to field wiring via IP-68 rated connector.

ELECTRICAL - Universal frequency input (120-277V, 50/60 Hz). Surge protection meets ANSI C62.41.2, Scenario 1, Location Category C-low standards (6,000; 3,000A)

DRIVER - State-of-the-art driver technology specifically designed for LSI LED fixtures provides unsurpassed system efficiency.

OPERATING TEMPERATURE - -40°C to +50°C (-40°F to +122°F)

FINISH - Clear-anodized natural aluminum finish or LSI's DuraGrip® polyester powder coat finishes available. DuraGrip finish withstands extreme weather changes without cracking or peeling, and is guaranteed for a full five years. Standard colors include black, white, bronze, metallic silver, graphite and satin verde green. Natural brass matte blast finished.

TRIM - Optional 11" diameter x .18" thick stainless steel decorative trim has radial polish finish.

WARRANTY - LSI LED fixtures carry a limited 5 year warranty.

PHOTOMETRICS - Please visit our web site at www.lsi-industries.com for detailed photometric data.

SHIPPING WEIGHT - XIGB - 28 lbs.

LISTING - Listed to U.S. and Canadian safety standards. Suitable for wet locations.

LIGHT OUTPUT - XIG					
	# of LEDES	Lumens (Nominal)			
		SP10	NFL25	FL40	
Cool White	350 mA	19	2159	2076	2066
	Watts		22	23	22
Warm White	350 mA	19	1445	1485	1347
	Watts		22	23	22

LED Chips are frequently updated therefore values may increase.

This product, or selected versions of this product, meet the standards listed below. Please consult factory for your specific requirements.



Intertek
Suitable for wet locations



Not recommended for continuously immersed applications



Project Name _____ Fixture Type _____
Catalog # _____

10/09/19
© 2019
LSI INDUSTRIES INC.

LED INGROUND LIGHT (XIG)

LUMINAIRE ORDERING INFORMATION

TYPICAL ORDER EXAMPLE: **XIG B LED 19 350 CW UE SP10 WHT SST**

Prefix	Housing	Light Source	# of LEDs	Drive Current	Color Temperature	Input Voltage	Distribution	Finish	Options
XIG	B - Brass	LED	19	350 - 350 mA	CW - Cool White (5000K) WW - Warm White (3500K) NW - Neutral White (4000K)	UE- Universal Electronic (120-277V 50/60 Hz)	SP10 - 10° Spot NFL25 - 25° Narrow Flood FL40 - 40° Flood	NB - Natural Brass ¹ BRZ - Bronze BLK - Black WHT - White MSV - Metallic Silver GPT - Graphite SVG - Satin Verde Green	SST - Stainless Steel Trim ^{2,3,4} TR - Tamper Resistant Fasteners DSB - Directional Shield Brass ⁴ RGB - Rock Guard Brass ⁴ SRL - Slip Resistant Lens ⁵
	RIH								

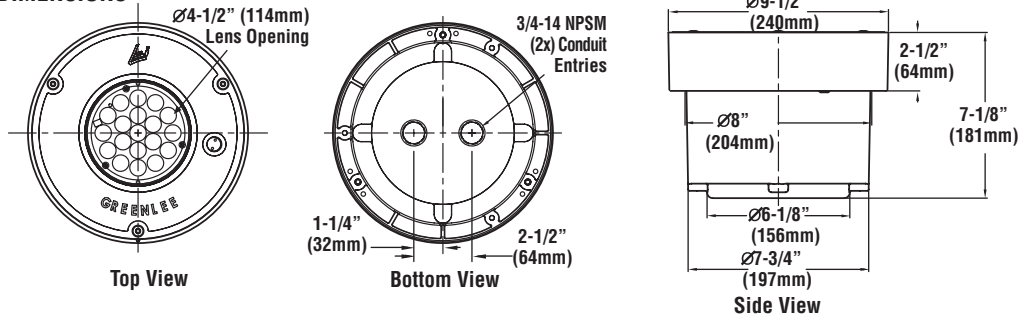
NOTES:

- 1- Brass Housing Only
- 2- SST not available with DS or RG options
- 3- Brass housing NOT painted with SST.
- 4- XIG can NOT have DSB, RGB and SST at the same time. Only one.
- 5- SRL is not available with SST option.

ACCESSORY ORDERING INFORMATION (Accessories are field installed)

TRKEY - Key for TR Fasteners G34062

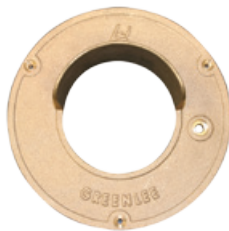
DIMENSIONS



OPTIONS



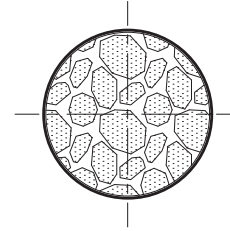
Rock Guard (B)
Lens/Lamp Protection



Directional Shield (B)
Increased Light Control



Stainless Steel Trim (SST)
Decorative Appeal



Slip Resistant Lens (SRL)
Enhance Public Safety



Project Name _____ Fixture Type _____
Catalog # _____

10/09/19
© 2019
LSI INDUSTRIES INC.