

**THE SAENGER  
THEATRE RENEWAL  
PROJECT**

142 North Rampart Street  
New Orleans, LA

Client  
Saenger Theatre Redevelopment Company  
1800 Post Oak Boulevard, 6  
Boulevard Place, Suite 450,  
Houston, TX 77058  
Architect  
**MARTINEZ+JOHNSON**  
ARCHITECTURE

1412 Eye St., NW  
Washington, DC 20005  
202.333.4480

Structural Engineer  
Lundy & Franke Engineering, Inc.  
549 Heimer Road, San  
Antonio, TX 78232  
210.572.7500

Theatre Consultant  
Schuler Shook  
123 Third Street North #210,  
Minneapolis, MN 55401  
612.339.5958

Acoustical Engineer  
Akustiks  
93 North Main Street, South  
Norwalk, CT 06854  
203.293.1904

MEP Engineer  
JBA Consulting Engineers, Inc.  
3625 N. Causeway Blvd., Suite  
500 Metairie, LA 70002  
504.833.0159

Civil Engineer  
Linfield, Hunter, & Junius, Inc.  
3606 18th Street Suite 200,  
Metairie, LA 70002  
504.833.5300

Architectural Historian  
EHT Tracerics, Inc.  
1121 Fifth Street NW  
Washington, DC 20001  
202.393.1199

THESE DRAWINGS, SPECIFICATIONS, AND OTHER DOCUMENTS (COLLECTIVELY, THE "DOCUMENTS") INCLUDING WITHOUT LIMITATION ELECTRONIC VERSIONS THEREOF AND THE IDEAS, DESIGNS, AND ARRANGEMENTS REPRESENTED THEREBY ARE AND SHALL REMAIN THE PROPERTY OF MARTINEZ + JOHNSON ARCHITECTURE P.C. AS DEFINED BY APPLICABLE CONTRACTUAL AGREEMENTS (THE "AGREEMENTS") AND AS PROTECTED BY THE COPYRIGHT STATUTES OF THE UNITED STATES. USE OF THE DOCUMENTS SHALL BE STRICTLY LIMITED TO THE PROJECT FOR WHICH THEY WERE PREPARED AND DEVELOPED. NO PART OF THE DOCUMENTS SHALL BE COPIED, DISCLOSED TO OTHERS, OR USED IN CONNECTION WITH ANY OTHER WORK OR PROJECT, OR BY ANY OTHER PERSONS FOR ANY PURPOSES, OTHER THAN THE COMPLETION OF THE PROJECT WITHOUT THE SPECIFIC WRITTEN AUTHORIZATION OF MARTINEZ + JOHNSON ARCHITECTURE P.C. THE DOWNLOADING, OPENING, OR VIEWING OF ELECTRONIC VERSIONS OF THE DOCUMENTS OR VISUAL CONTACT WITH ANY PRINTED FORM THEREOF SHALL CONSTITUTE CONCLUSIVE EVIDENCE OF ACCEPTANCE OF THESE RESTRICTIONS.

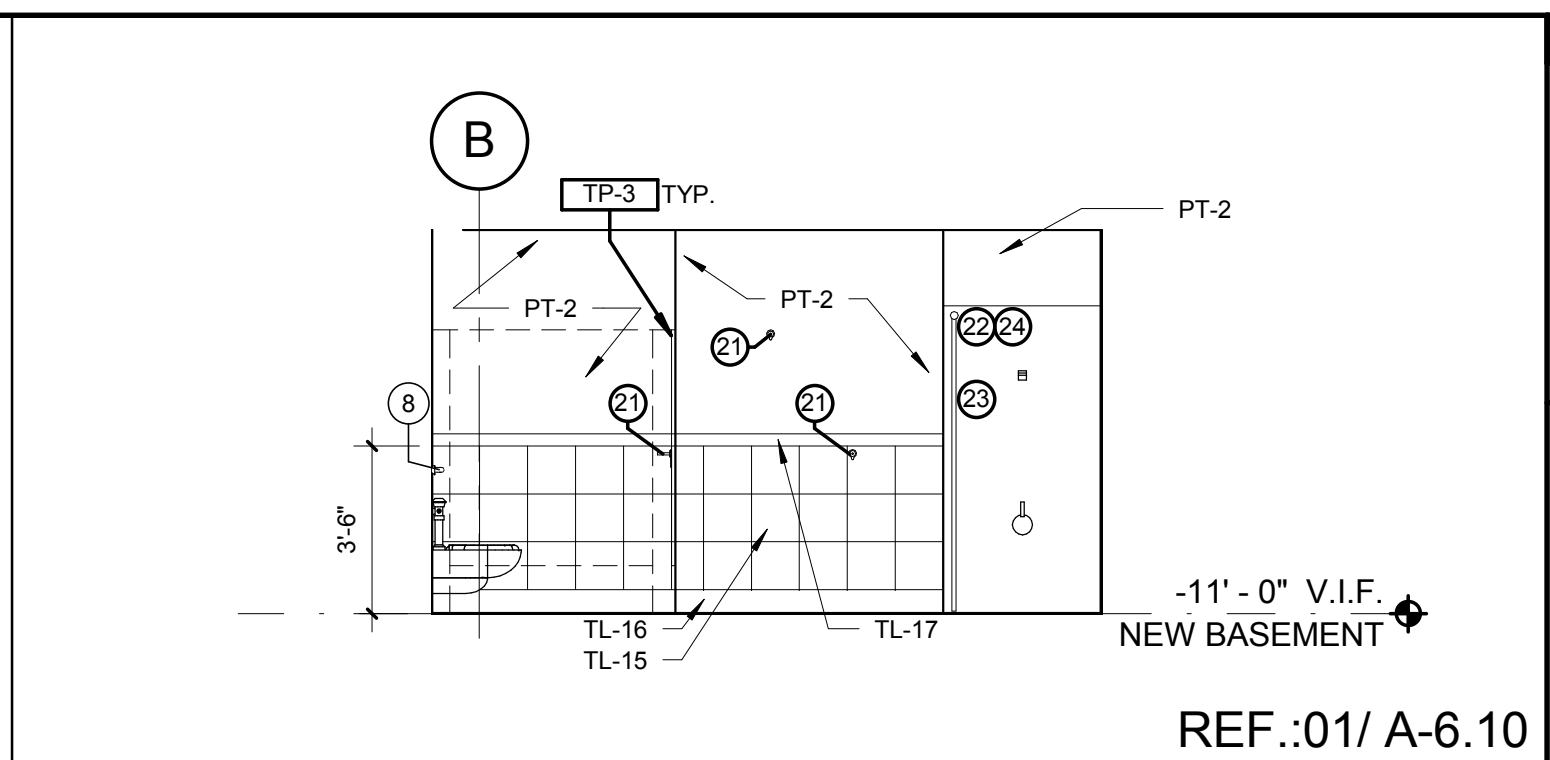
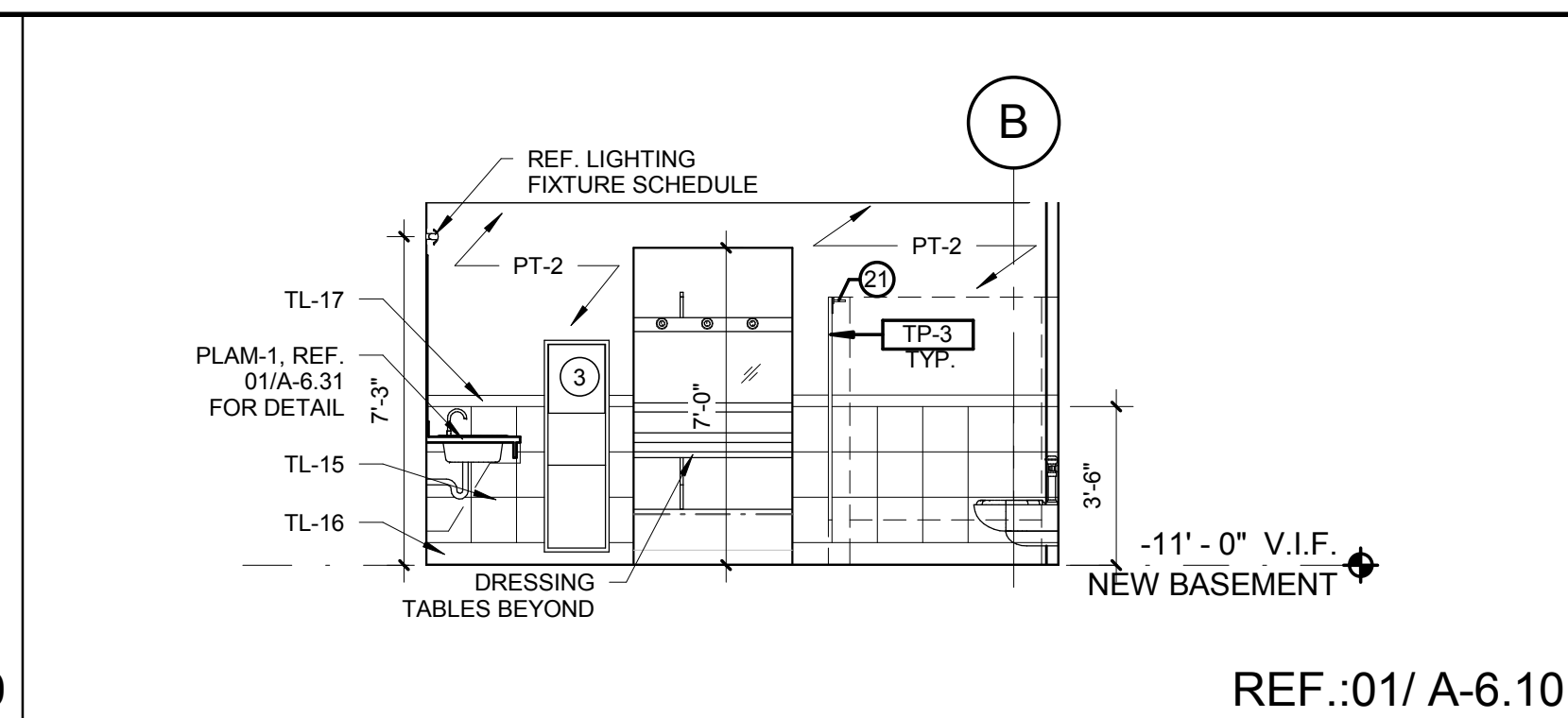
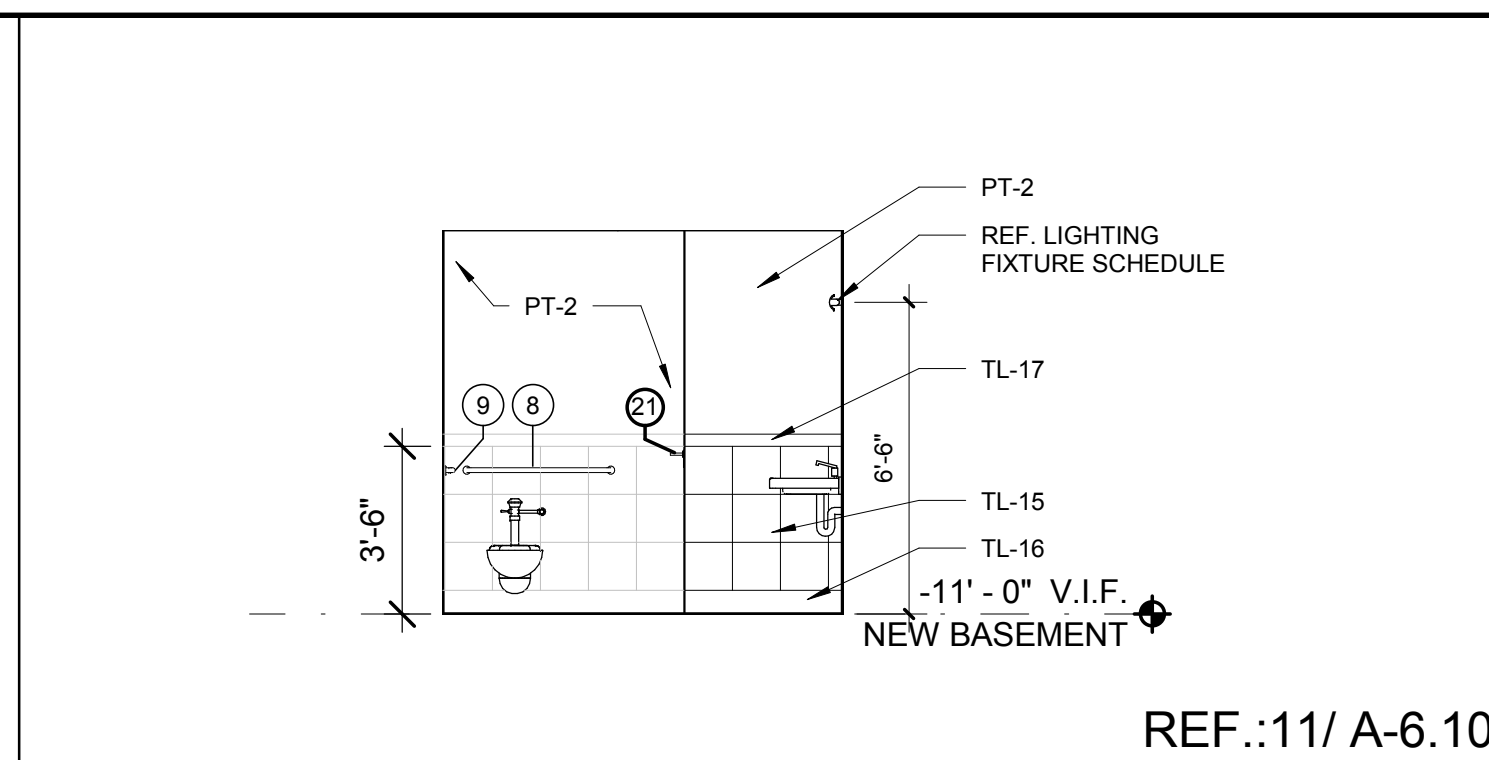
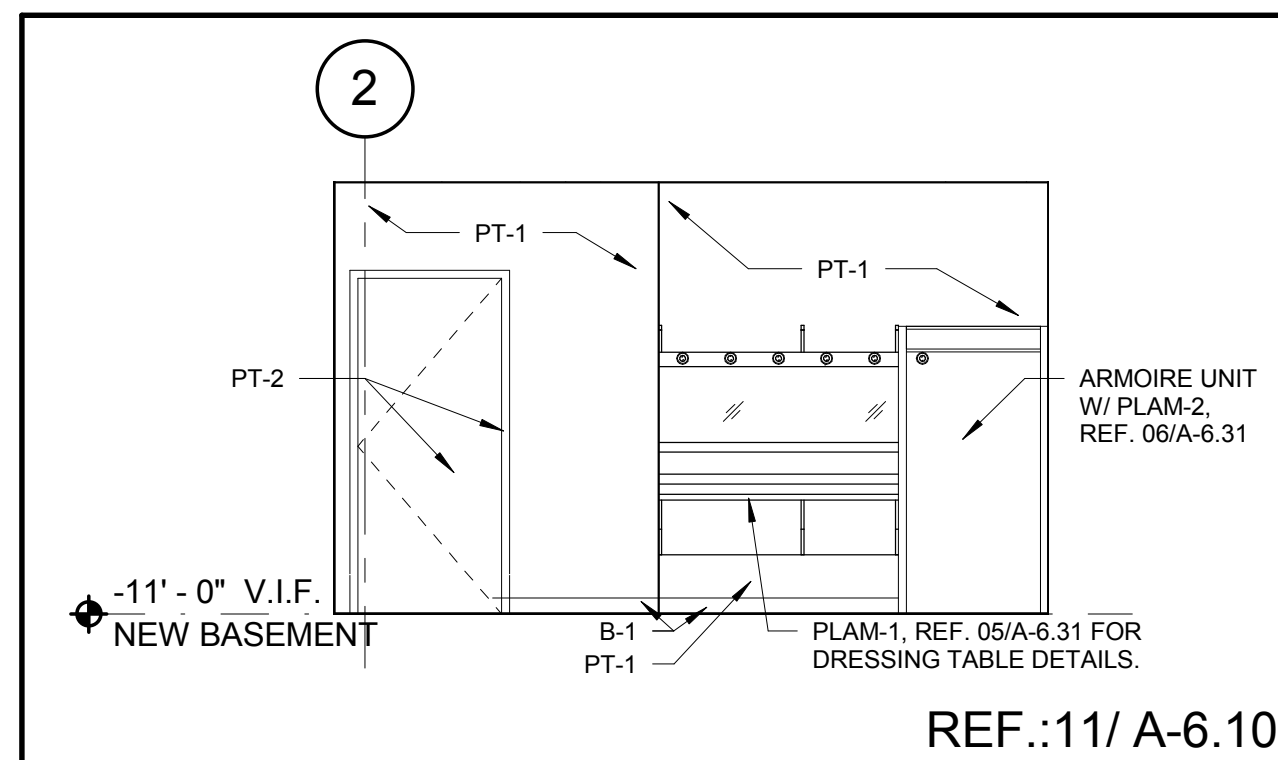
7502

DATE: No. REVISION:

| DATE:    | ISSUE:           |
|----------|------------------|
| 02.19.10 | PERMIT SET       |
| 04.02.10 | GMP CONTRACT SET |
| 11.11.10 | CONTRACT SET     |

SHEET TITLE:  
**INTERIOR PLANS &  
ELEVATIONS - BOH  
DRESSING AND TOILET  
ROOMS - BASEMENT  
LEVEL**

**A-6.10**

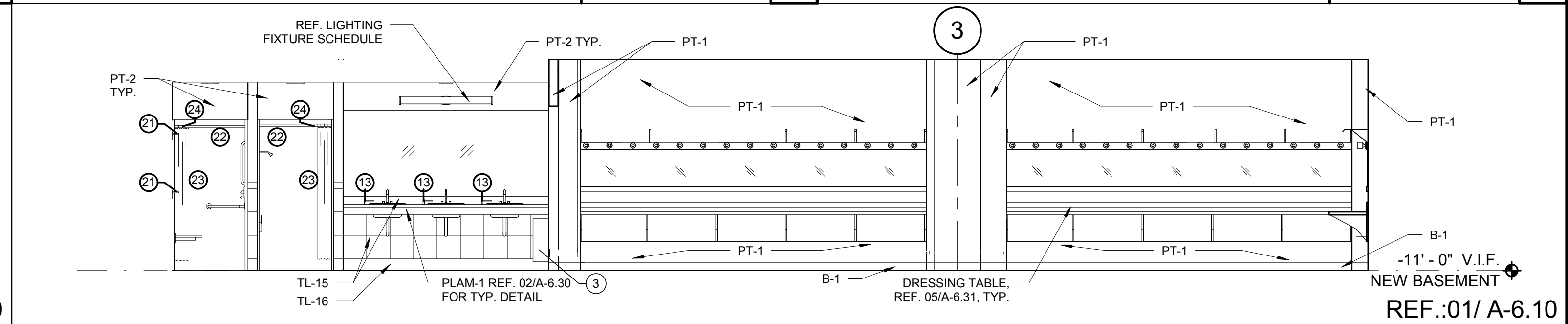
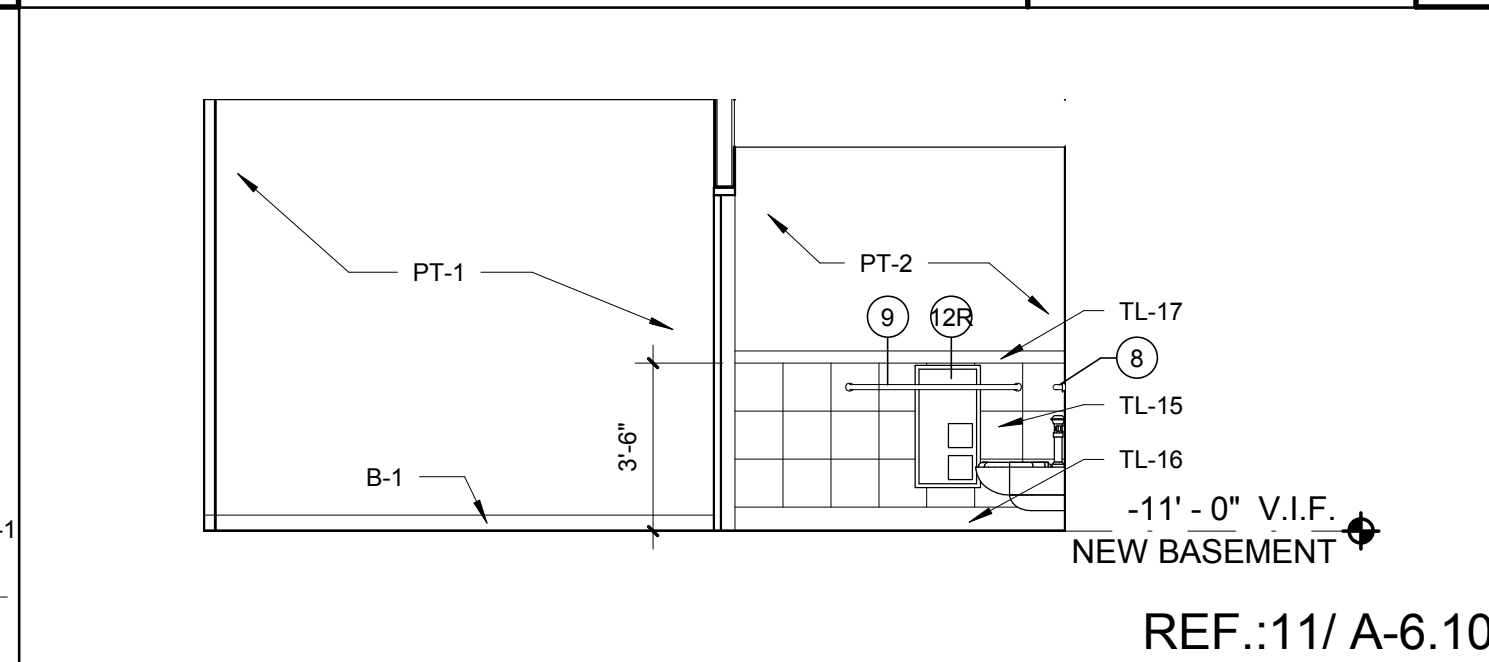
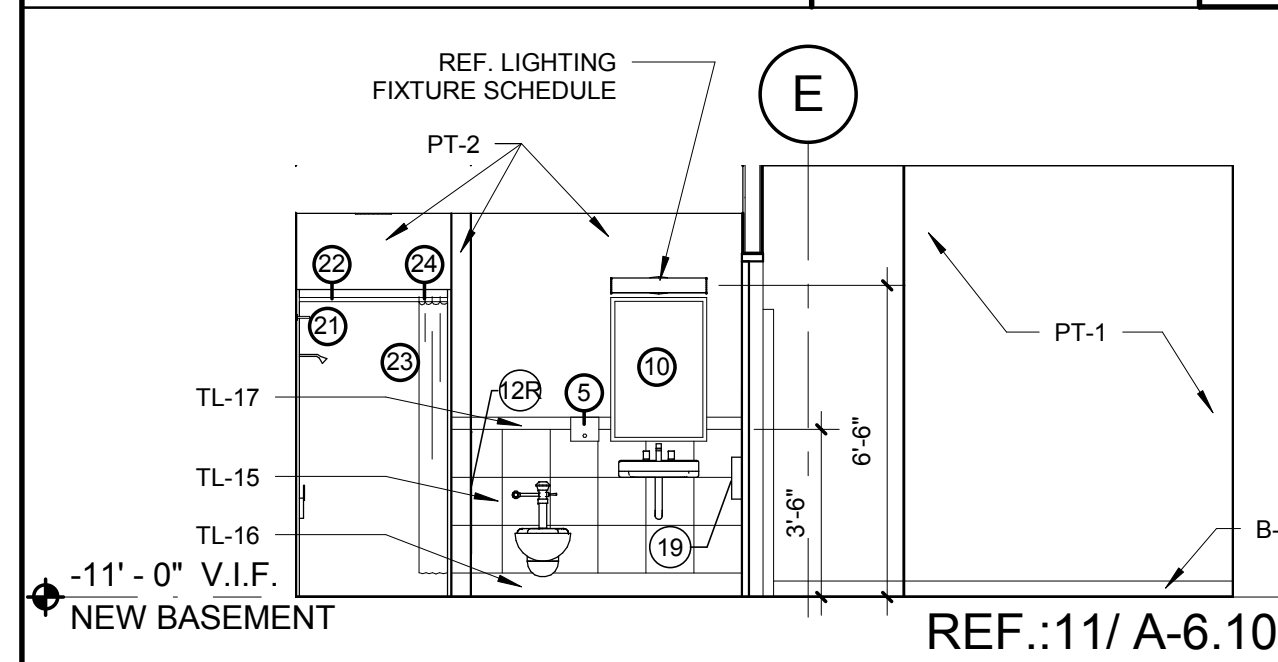


STAR DRESS "B" 045 WEST 1/4" = 1'-0" 14

STAR "A" TOILET 042 EAST 1/4" = 1'-0" 10

TOILET 057 SOUTH 1/4" = 1'-0" 05

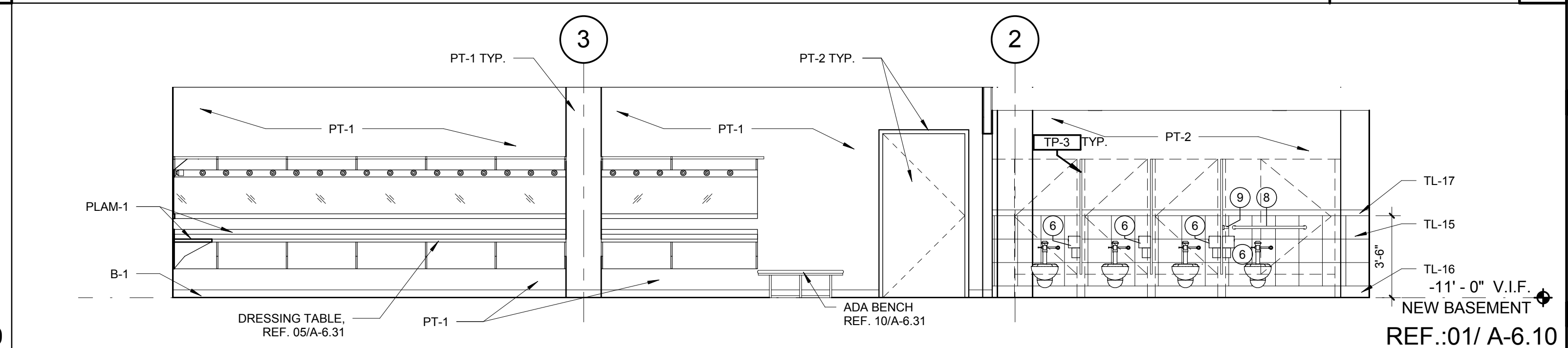
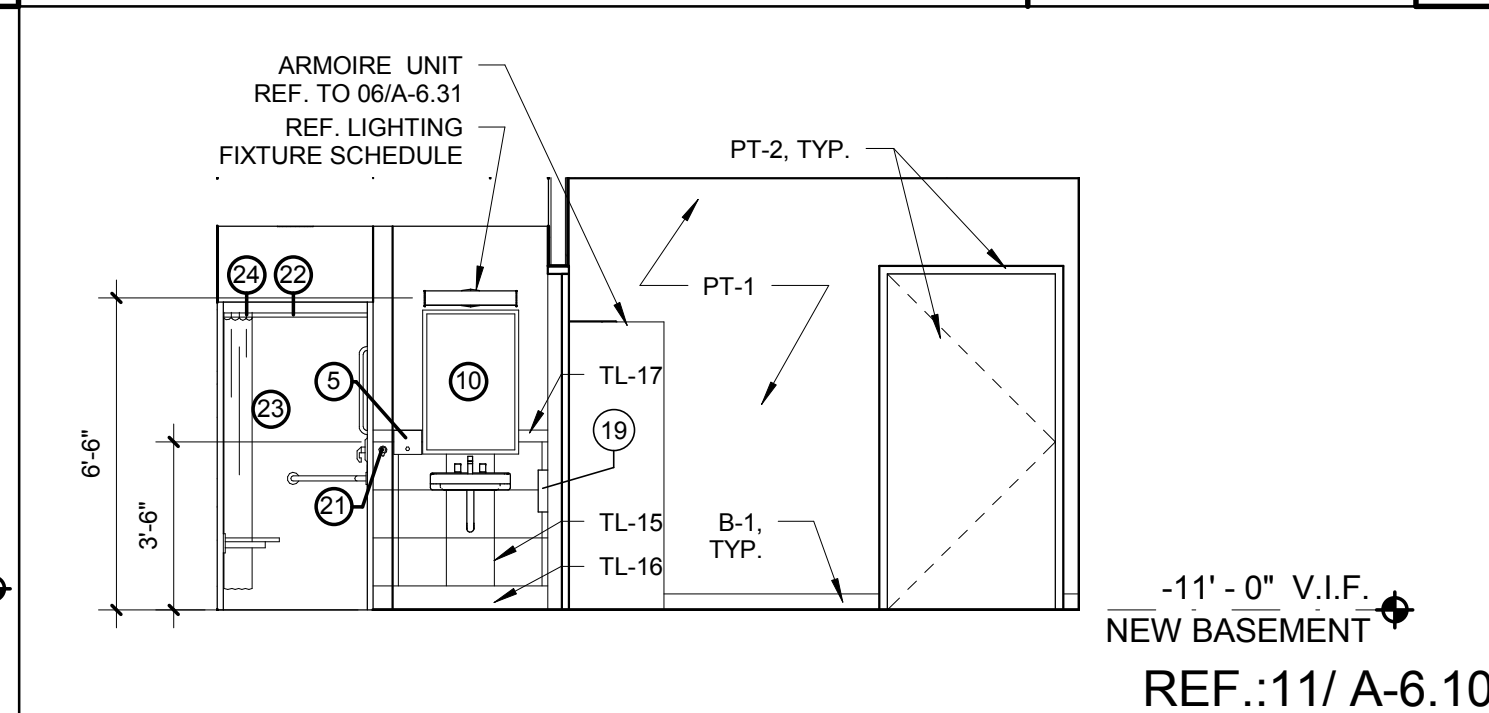
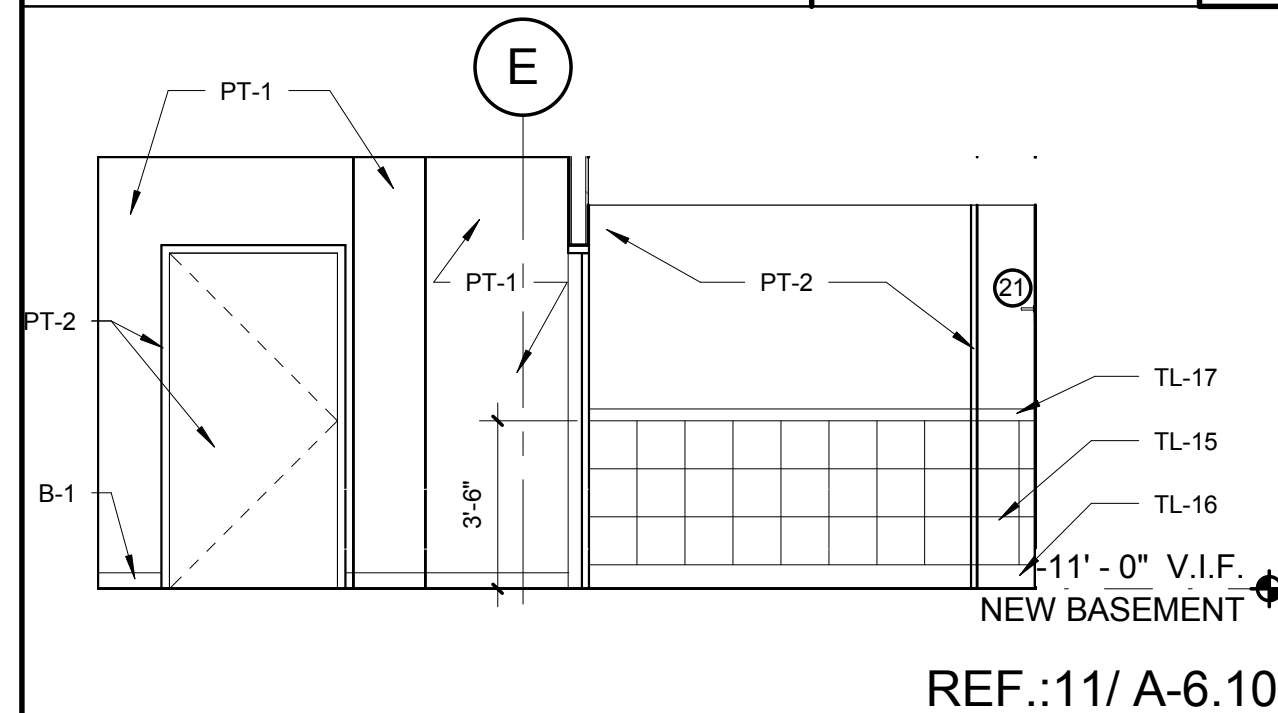
TOILET 057 NORTH 1/4" = 1'-0" 04



STAR "B" 045+046 NORTH 1/4" = 1'-0" 13

STAR "A" 041+042 NORTH 1/4" = 1'-0" 09

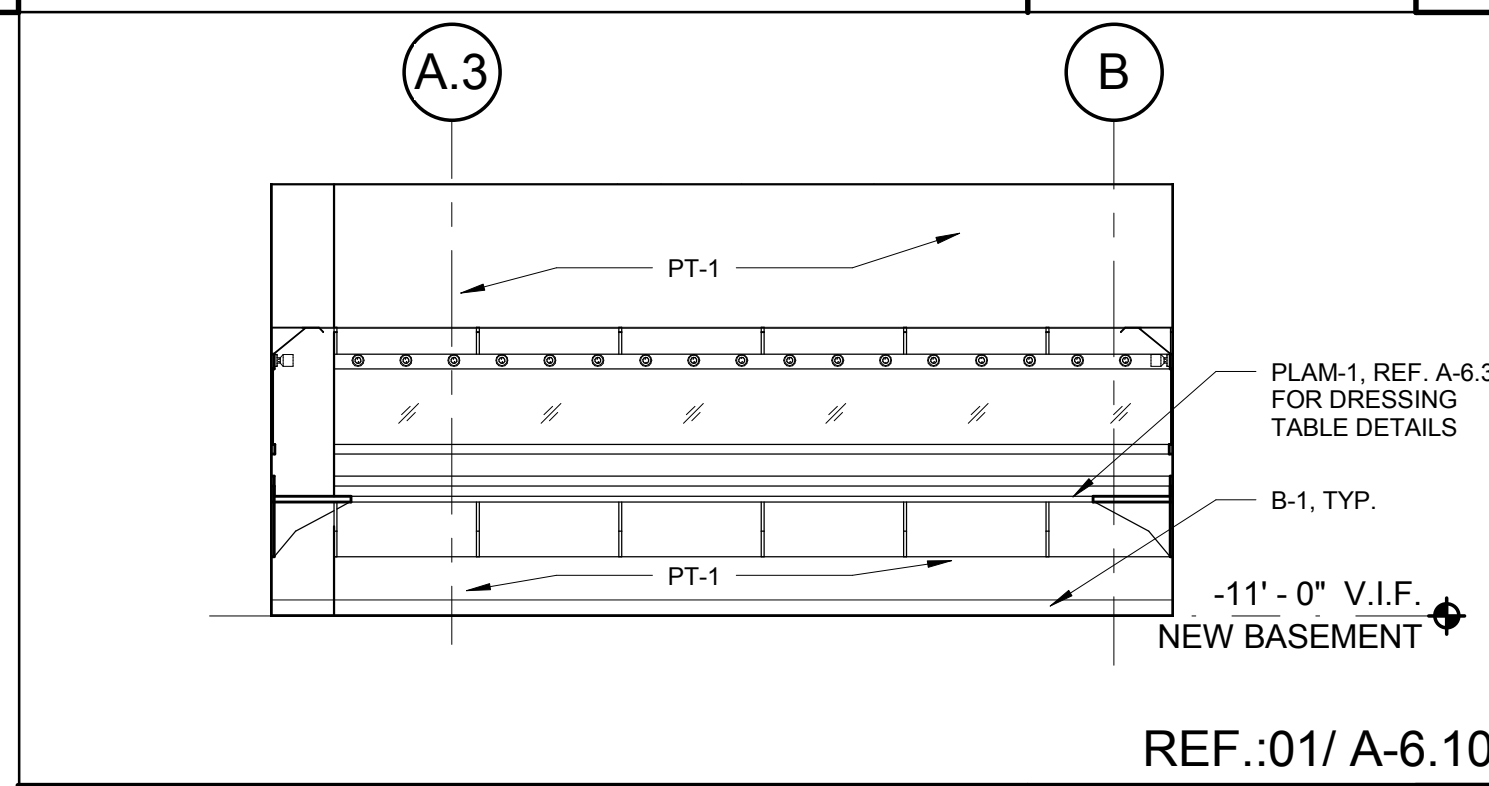
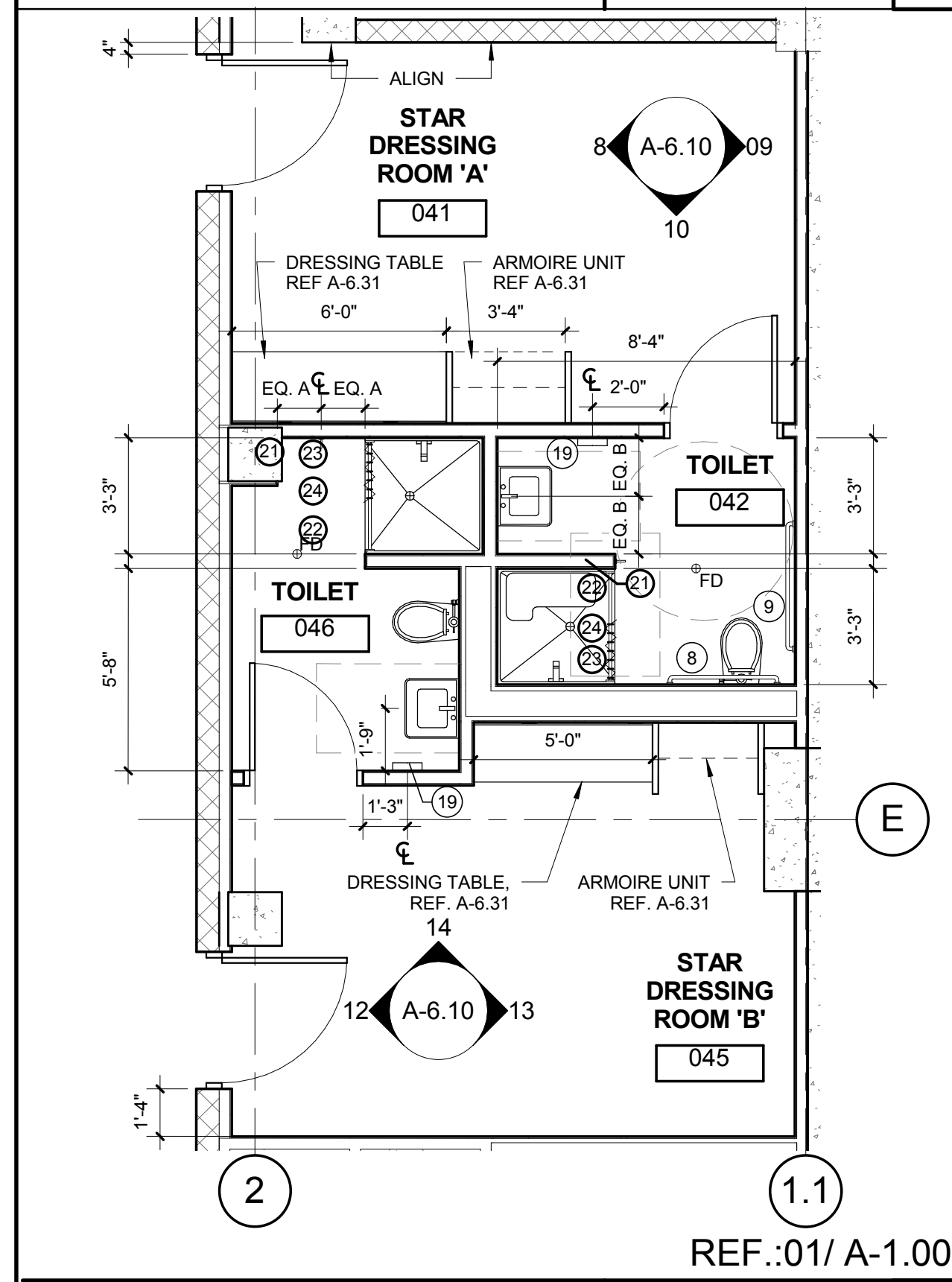
CHORUS DRESSING "A" 056 + TOILET 057 EAST 1/4" = 1'-0" 03



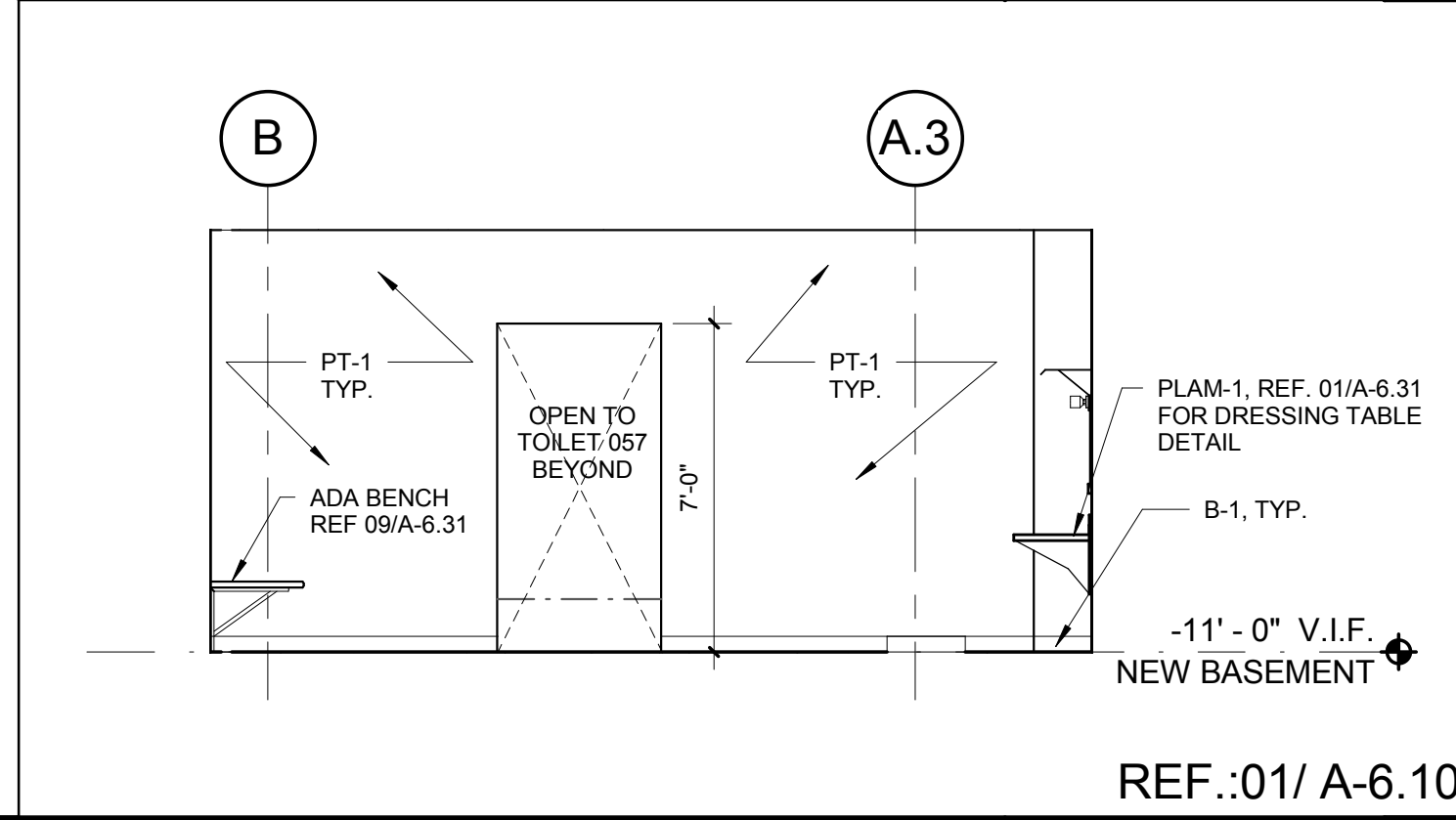
STAR "B" 045+046 SOUTH 1/4" = 1'-0" 12

STAR DRESSING "A" 041 SOUTH 1/4" = 1'-0" 8

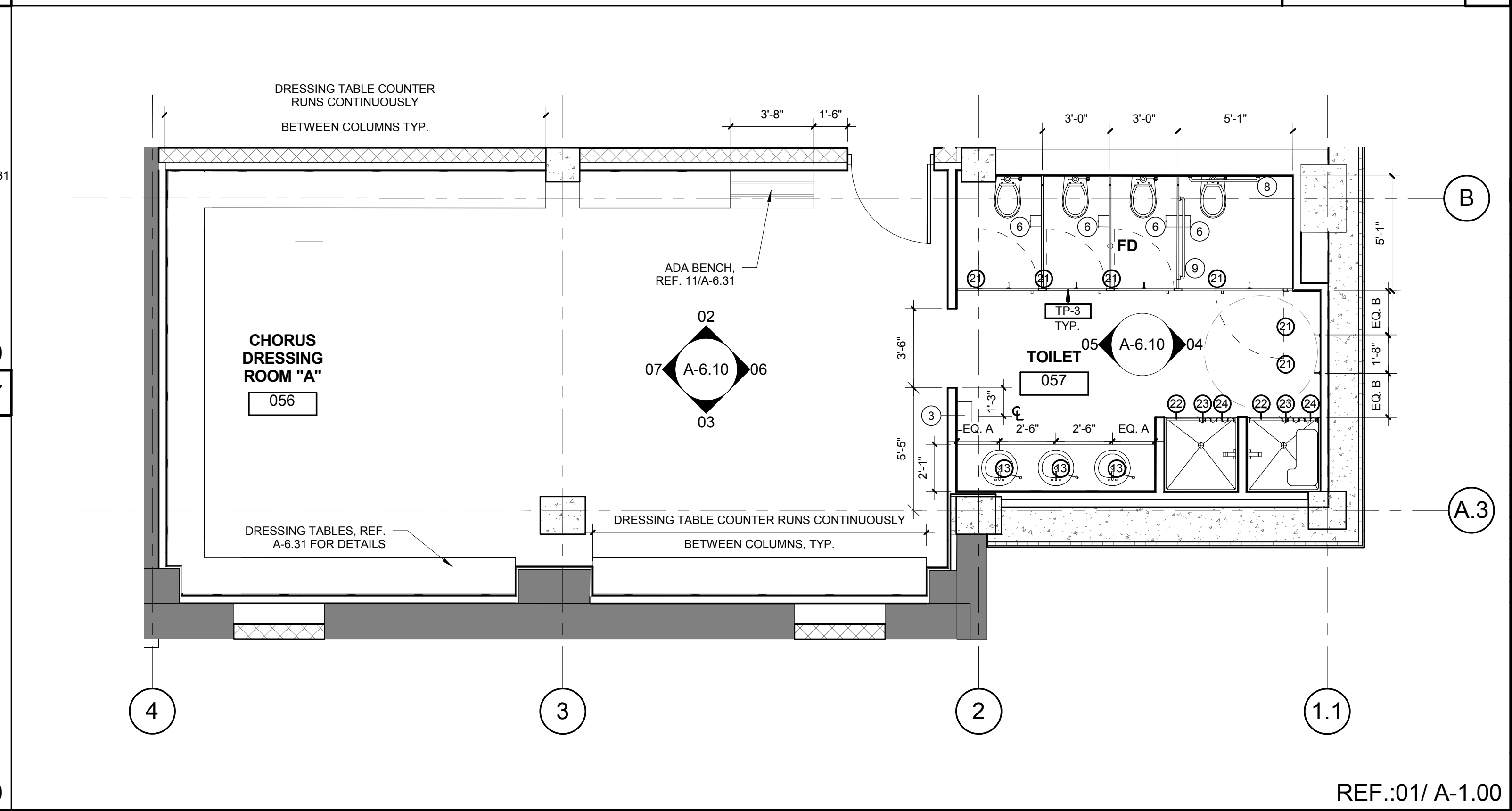
CHORUS DRESSING "A" 056 + TOILET 057 WEST 1/4" = 1'-0" 02



CHORUS DRESSING "A" 056 SOUTH 1/4" = 1'-0" 07



CHORUS DRESSING "A" 056 NORTH 1/4" = 1'-0" 06



CHORUS DRESSING "A" 056 + TOILET 057 ENLARGED PLAN 1/4" = 1'-0" 01

STAR DRESSING PLAN 1/4" = 1'-0" 11