

**THE SAENGER
THEATRE RENEWAL
PROJECT**

142 North Rampart Street
New Orleans, LA

Client
Saenger Theatre Redevelopment Company
200 West Loop South, Suite
1040 Houston TX 77027

Architect
**MARTINEZ+JOHNSON
ARCHITECTURE**

1412 Eye St. NW
Washington, DC 20005
202.333.4480

Structural Engineer
Shawn J. Franke, P.E.
548 Helmer Road San
Antonio TX 78232
210.979.7900

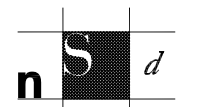
Theatre Consultant
Schuler Shook
123 Third Street North #210
Minneapolis, MN 55401
612.338.5958

Acoustical Engineer
Akustiks
93 North Main Street South
Norwalk, CT 06854
202.299.1904

MEP Engineer
JBA Consulting Engineers, Inc.
3525 N. Causeway Blvd., Suite
500 Metairie, LA 70002
504.830.0139

Civil Engineer
Linfield, Hunter, & Junius, Inc.
3608 18th Street Suite 200
Metairie, LA 70002
504.835.5300

Architectural Historian
EHT Traceries, Inc.
1121 Fifth Street NW
Washington, DC 20001
202.393.1199



Next Step Design
FOODSERVICE CONSULTANTS
1116 West Street, Suite C
Annapolis, MD 21401
410.263.1200

THESE DRAWINGS, SPECIFICATIONS AND OTHER DOCUMENTS (COLLECTIVELY, "THE DOCUMENTS") INCLUDING WITHOUT LIMITATION ELECTRONIC VERSIONS THEREOF AND THE IDEAS, DESIGNS AND ARRANGEMENTS REPRESENTED THEREBY ARE AND SHALL REMAIN THE PROPERTY OF MARTINEZ & JOHNSON ARCHITECTURE, P.C. AS DEFINED BY APPLICABLE CONTRACTUAL AGREEMENTS ("THE AGREEMENTS") AND AS PROTECTED BY THE COPYRIGHT STATUTES OF THE UNITED STATES. USE OF THE DOCUMENTS SHALL BE STRICTLY LIMITED TO THE PROJECT FOR WHICH THEY WERE PREPARED AND DEVELOPED ("THE PROJECT") PER THE TERMS OF THE AGREEMENTS. NO PART OF THE DOCUMENTS SHALL BE COPIED, DISCLOSED TO OTHERS, OR USED IN CONNECTION WITH ANY OTHER WORK OR PROJECT, OR BY ANY OTHER PERSONS FOR ANY PURPOSES, OTHER THAN THE COMPLETION OF THE PROJECT, WITHOUT THE SPECIFIC WRITTEN AUTHORIZATION OF MARTINEZ & JOHNSON ARCHITECTURE, P.C. THE DOWNLOADING, OPENING, OR VIEWING OF ELECTRONIC VERSIONS OF THE DOCUMENTS OR VISUAL CONTACT WITH ANY PRINTED FORM THEREOF SHALL CONSTITUTE CONCLUSIVE EVIDENCE OF ACCEPTANCE OF THESE RESTRICTIONS.

7502

DATE:	No.:	ISSUE:
02.19.10	1	PERMIT SET
04.02.10	2	GMP CONTRACT SET
11.11.10	-	CONTRACT SET

DATE:	No.:	REVISION:

SHEET TITLE:
FOODSERVICE BAR DIE
WALL & EQUIPMENT
DETAILS

FS-BAR4

EQUIPMENT SCHEDULE

Item No	Qty	Model Number	Equipment Remarks
155	1	DBC8-12-LD	
156	1	TSA-36-S	(1) SSR-36
157	1	IFC-24/24	
160	1	CUSTOM-UB	** CUSTOM POS CABINET ** NDS SPECIFICATION
161	1	SHB-6	
165	1	CBB-30L4-CP10	
168	1	DBC8-12-LD	(1) TC, TUBE CHASE TOP SURFACE ONLY
169	1	ST36-SF	4" CASTERS
171	1	DBC8-12-LD	(1) TC, TUBE CHASE TOP SURFACE ONLY
175	1	CBB-30L4-CP10	
177	1	SHB-6	
178	1	DWB-12	(1) 03000497
180	1	CUSTOM-UB	** CUSTOM POS CABINET ** NDS SPECIFICATION
182	1	DHS8-12	(1) TR (1) 03000483 STRAINER
185	30FT	MD	MODULAR DIE WALL

NOTES

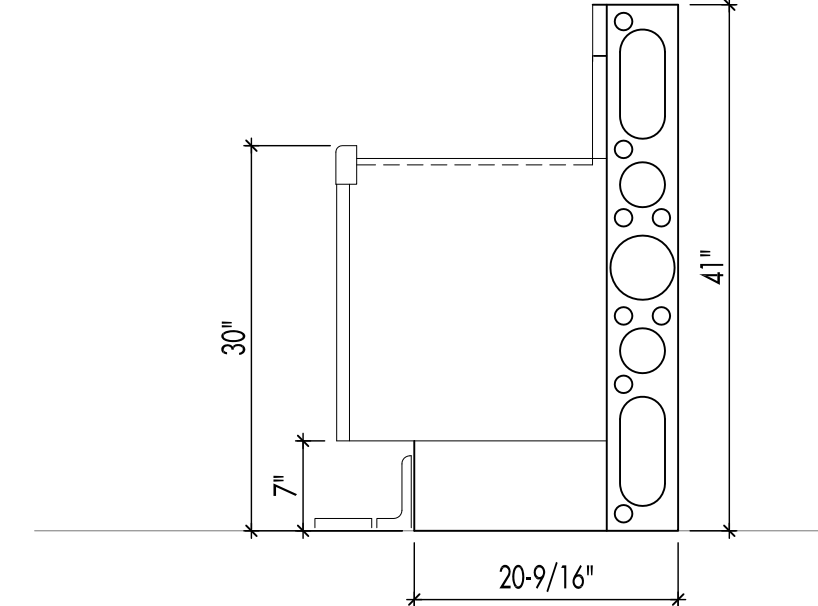
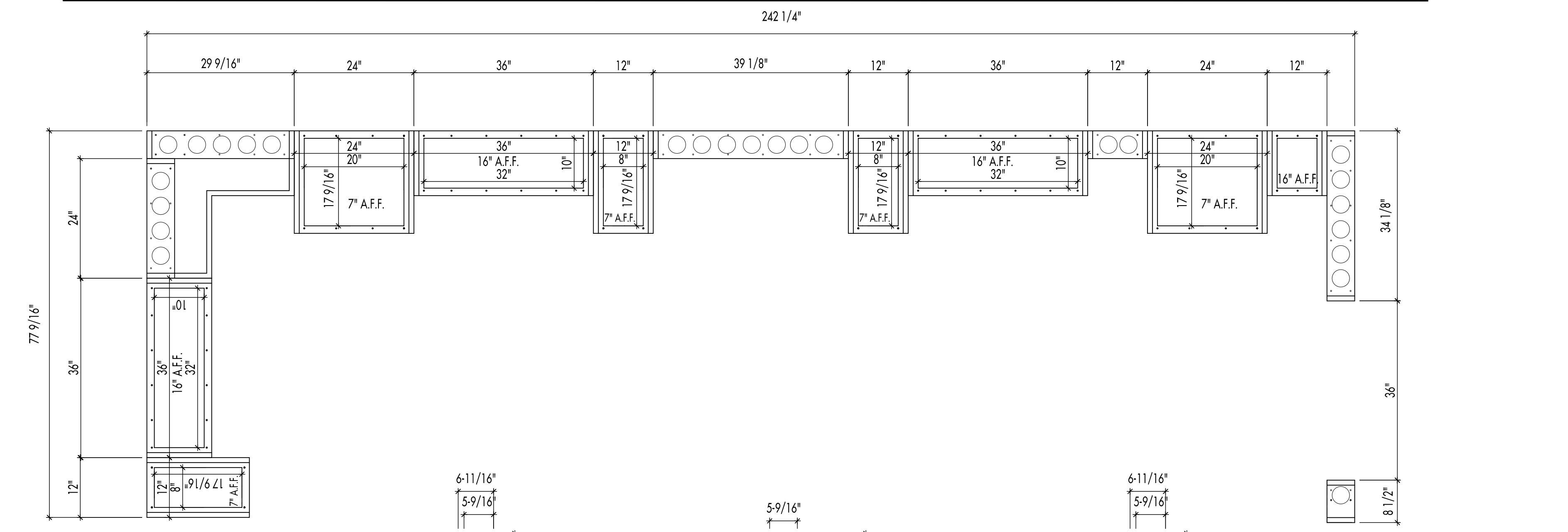
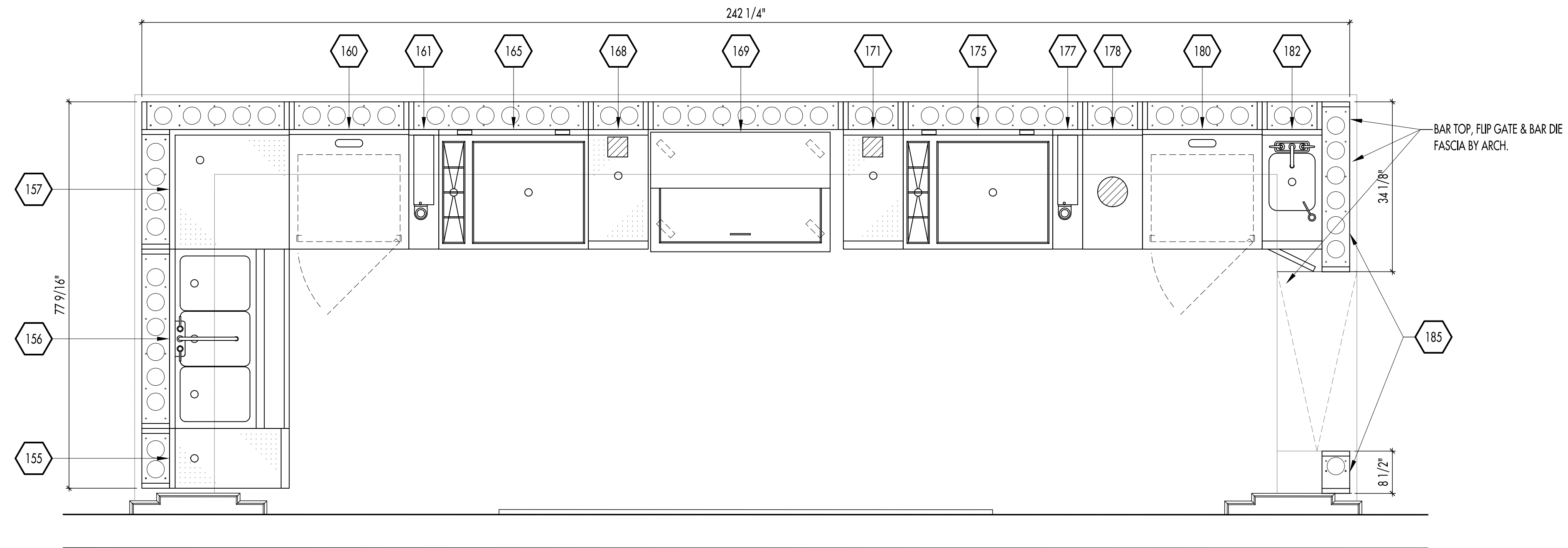
DUPLEX OUTLETS ARE POSITIONED 12" A.F.F. TO THE CENTER OF THE OUTLET. IT IS THE CUSTOMER'S RESPONSIBILITY TO VERIFY THE HEIGHT, SIZE, AND LOCATION OF ANY AND ALL DUPLEX OUTLETS PRIOR TO FABRICATION, MAKING SURE THEY MEET LOCAL BUILDING AND ELECTRICAL CODES. GLASTENDER MUST BE NOTIFIED OF ANY DEVIATIONS FROM STANDARD. GLASTENDER IS NOT RESPONSIBLE FOR ANY MODIFICATIONS REQUIRED IN THE FIELD.

THERE ARE THREE TYPES OF MODULAR BAR DIE: FLAT WALL, PEDESTAL BASE, AND CABINET BASE. ROUGH-IN SPACE VARIES WITH THE TYPE OF BASE. FLAT WALL SECTIONS OCCUR WHERE THERE IS NO EQUIPMENT OR WHERE THE EQUIPMENT IS REMOVABLE (GLASSWASHERS, COOLERS, MUG FROSTERS, ETC.). PEDESTAL BASES ARE THE MOST COMMON SINCE THEY ARE USED FOR STANDARD UNDERBAR THAT IS NORMALLY ON 16" LEGS. CABINET STYLE UNDERBAR EQUIPMENT, TYPICALLY ON 7" LEGS, WILL RECEIVE A CABINET STYLE BASE.

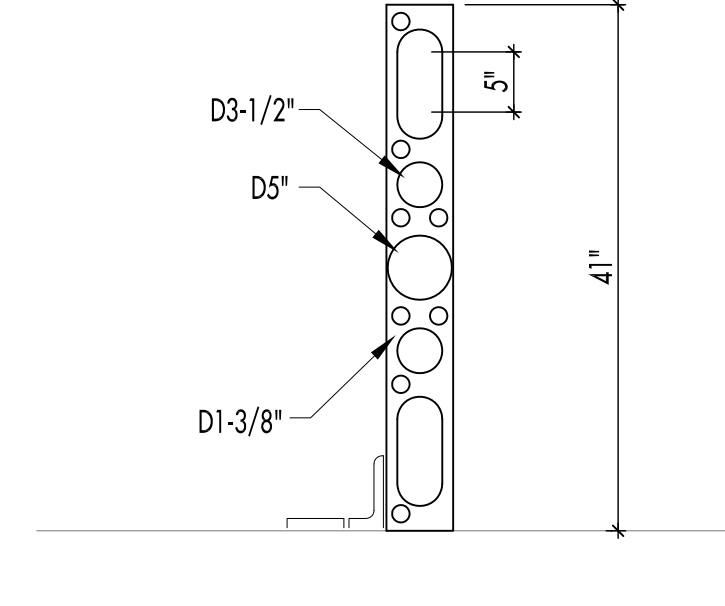
MODULAR BAR DIE ORDERS INCLUDE AN INSTALLATION "FOOT PRINT" WHICH SHOWS THE DIMENSIONS OF THE BAR DIE AS IT TOUCHES THE FLOOR. THE FOOT PRINT DRAWING IS USED AS A REFERENCE IN THE FIELD FOR PLACEMENT OF SODA, BEER, PLUMBING, AND ELECTRICAL ROUGH-INS PRIOR TO DELIVERY OF THE EQUIPMENT.

CONFIGURATION
NL = NO LEGS
NS = NO SIDE
CS = CLIP SIDE
HS = HALF SIDE
FS = FULL SIDE
TE = TALL END
AS = AS SIDE
AD = AD SIDE
BN = B SIDE
BS = BS SIDE

ELECTRICAL LEGEND
DL = DUPLEX RECEPTICLE; 16" AFF
DH = DUPLEX RECEPTICLE; 39" AFF & HORIZONTAL
L = TASK LIGHTS

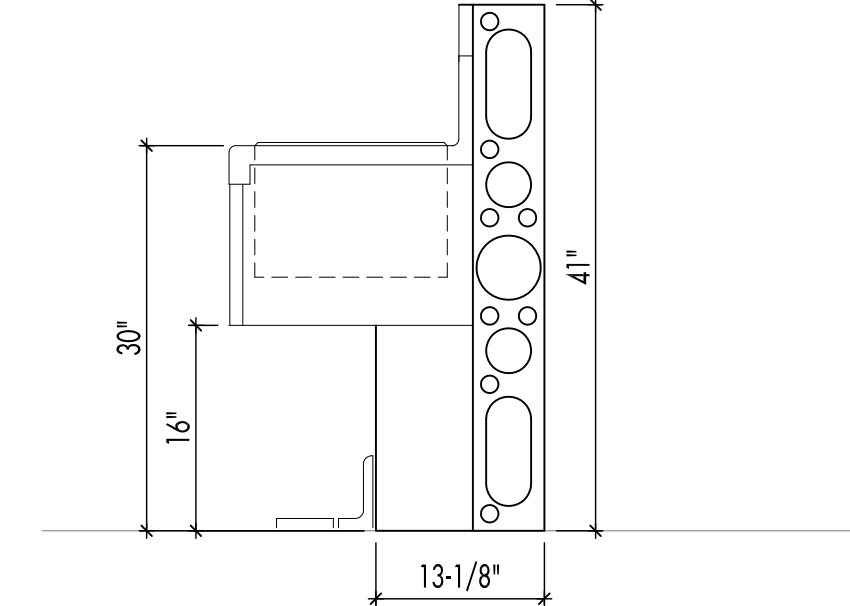


CABINET BASE END VIEW



FLAT WALL END VIEW

NOT TO SCALE



PEDESTAL BASE END VIEW

**ORCHESTRA LEVEL BAR #2
BAR DIE WALL & EQUIPMENT DETAILS**

SCALE 3/4" = 1'-0"



GLASTENDER, INC.
5400 NORTH MICHIGAN
SAGINAW, MI 48604-9780
PH 989.752.4275
FAX 989.752.4444

Project Name: SAENGER THEATRE

Drawn By: D. HOTZ

Drawing Number: B10464500

COPYRIGHT
UNAUTHORIZED USE OF THE FOODSERVICE DESIGNS, DETAILS, AutoCAD® BLOCKS, AND SPECIFICATIONS CONTAINED IN THESE DOCUMENTS IS STRICTLY PROHIBITED. NSD, INC. MAINTAINS OWNERSHIP OF SAME. THIS PROHIBITION EXTENDS FROM PRINTED MATERIAL TO ANY ELECTRONIC VERSION OF THE SAME. NO USE, OTHER THAN THAT FOR WHICH IT IS INTENDED, IS STRICTLY PROHIBITED WITHOUT WRITTEN PERMISSION FROM NEXT STEP DESIGN, INC. ALL RIGHTS RESERVED.

