

**THE SAENGER
THEATRE RENEWAL
PROJECT**

142 North Rampart Street
New Orleans, LA

Client
Saenger Theatre Redevelopment Company
200 West Loop South, Suite
1040 Houston TX 77027

Architect
**MARTINEZ+JOHNSON
ARCHITECTURE**

1412 Eye St. NW
Washington, DC 20005
202.333.4480

Structural Engineer
Shawn J. Franke, P.E.
540 Helmer Road San
Antonio TX 78232
210.979.7900

Theatre Consultant
Schuler Shook
123 Third Street North #210
Minneapolis, MN 55401
612.338.9988

Acoustical Engineer
Akustiks
93 North Main Street South
Norwalk, CT 06854
202.299.1904

MEP Engineer
JBA Consulting Engineers, Inc.
3525 N. Causeway Blvd., Suite
500 Metairie, LA 70002
504.830.0139

Civil Engineer
Linfield, Hunter, & Junius, Inc.
3608 18th Street Suite 200
Metairie, LA 70002
504.835.8300

Architectural Historian
EHT Traceries, Inc.
1121 Fifth Street NW
Washington, DC 20001
202.393.1199



Next Step Design
FOODSERVICE CONSULTANTS
1116 West Street, Suite C
Annapolis, MD 21401
410.263.1200

THESE DRAWINGS, SPECIFICATIONS AND OTHER DOCUMENTS (COLLECTIVELY "THE DOCUMENTS") INCLUDING WITHOUT LIMITATION ELECTRONIC VERSIONS THEREOF AND THE IDEAS, DESIGNS AND ARRANGEMENTS REPRESENTED THEREBY ARE AND SHALL REMAIN THE PROPERTY OF MARTINEZ & JOHNSON ARCHITECTURE P.C. AS DEFINED BY APPLICABLE CONTRACTUAL AGREEMENTS ("THE AGREEMENTS") AND AS PROTECTED BY THE COPYRIGHT STATUTES OF THE UNITED STATES. USE OF THE DOCUMENTS SHALL BE STRICTLY LIMITED TO THE PROJECT FOR WHICH THEY WERE PREPARED AND DEVELOPED ("THE PROJECT") PER THE TERMS OF THE AGREEMENTS. NO PART OF THE DOCUMENTS SHALL BE COPIED, DISCLOSED TO OTHERS, OR USED IN CONNECTION WITH ANY OTHER WORK OR PROJECT, OR BY ANY OTHER PERSONS FOR ANY PURPOSES, OTHER THAN THE COMPLETION OF THE PROJECT, WITHOUT THE SPECIFIC WRITTEN AUTHORIZATION OF MARTINEZ & JOHNSON ARCHITECTURE P.C. THE DOWNLOADING, OPENING, OR VIEWING OF ELECTRONIC VERSIONS OF THE DOCUMENTS OR VISUAL CONTACT WITH ANY PRINTED FORM THEREOF SHALL CONSTITUTE CONCLUSIVE EVIDENCE OF ACCEPTANCE OF THESE RESTRICTIONS.

7502

DATE:	No.:	ISSUE:
02.19.10	1	PERMIT SET
04.02.10	2	GMP CONTRACT SET
11.11.10	-	CONTRACT SET

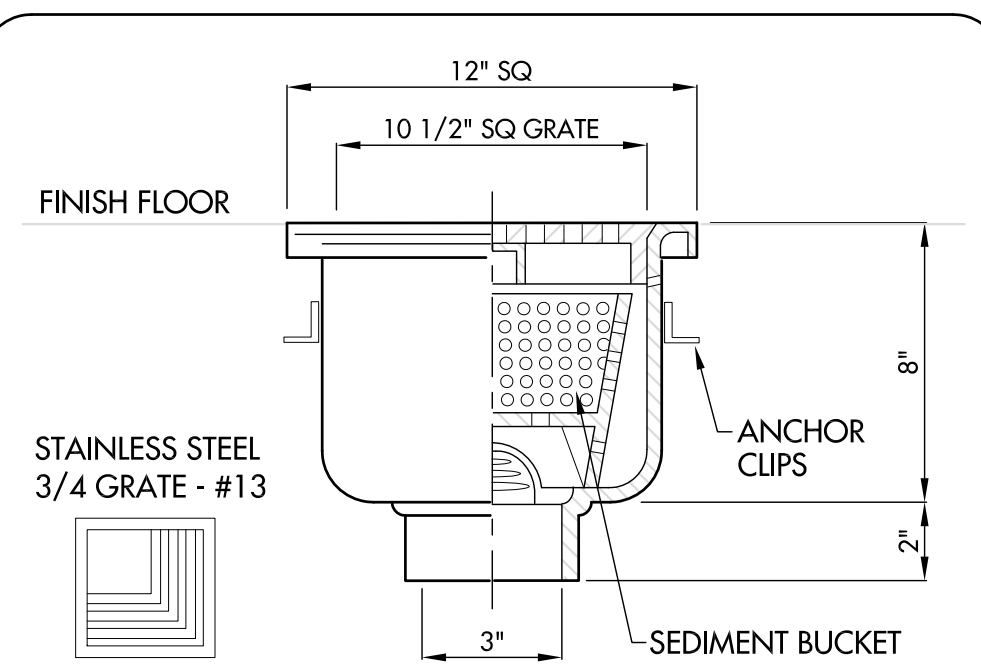
DATE:	No.:	REVISION:

SHEET TITLE:
**FOODSERVICE -
BASEMENT PLUMBING
ROUGH-IN PLAN**

FS-P1

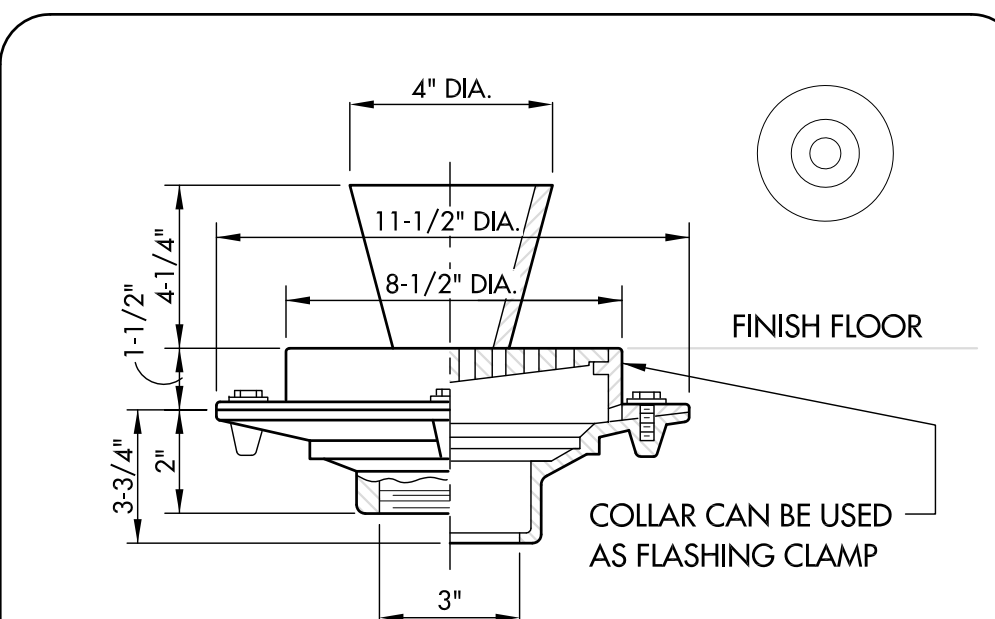
GENERAL PLUMBING NOTES

- ALL WORK TO BE DONE IN ACCORDANCE WITH ALL LOCAL CODES AND NSD SPECIFICATIONS, ANY CHANGE SHOULD BE COORDINATED W/ NEXT STEP DESIGN
- ALL WATER LINES TO HAVE SHUT-OFF VALVES.
- PLUMBER TO PROVIDE DISHWASHER HOT WATER, MINIMUM 140° F., CONSTANT SUPPLY.
- ALL INTERCONNECTING AND FINAL CONNECTIONS BY PLUMBER.
- FOR COMPLETE PLUMBING SCOPE OF WORK - REFER TO PLUMBING ENGINEERING DRAWINGS BY OTHERS.
- THE HOT WATER HEATER SHALL BE SIZED TO THE MAXIMUM USE DEMANDS OF ALL PLUMBING FIXTURES.
- PLUMBING CONTRACTOR TO PIPE DRAINS FROM WALK-IN COOLER EVAPORATOR UNITS TO SPECIFIED DRAIN. USE COPPER PIPE ONLY.
- PLUMBER TO SUPPLY AND INSTALL BACK-FLOW PREVENTERS ON ALL EQUIPMENT AS REQUIRED BY LOCAL CODES.
- PLUMBING CONTRACTOR TO COMPLETELY INSTALL ALL HAND SINKS, FAUCETS, LEVER DRAINS, GARBAGE DISPOSALS, AND MOP SINK AS PROVIDED BY THE K.E.C.
- PLUMBER TO SUPPLY AND INSTALL VACUUM BREAKERS FOR COFFEE AND ICE TEA BREWERS.
- PLUMBER TO INSTALL SOLENOID VALVE AND VACUUM BREAKERS FOR DISPOSERS.
- PLUMBER TO SUPPLY AND INSTALL ANY REQUIRED GREASE TRAP OR RECEPTOR AS MAY BE REQUIRED BY LOCAL CODES. SEE PLUMBING ENGINEERING PLANS BY OTHERS FOR DETAILS AND SPECIFICATIONS.
- PLUMBER TO SUPPLY AND INSTALL ALL FLOOR SINKS FLUSH OR JUST BELOW THE FINISHED FLOOR. (IF IN CONFLICT WITH LOCAL CODE-NOTIFY NSD TO WORK OUT ALTERNATE SPECIFICATION)
- ALL FLOORS MUST BE PITCHED TO AREA FLOOR DRAINS AS DESIGNATED.



FLOOR SINK DETAIL

WITH S/S 3/4 GRATE
JR SMITH CO. 3008-13 (OR EQUAL)
WWW.JRSMITH.COM
NOT TO SCALE



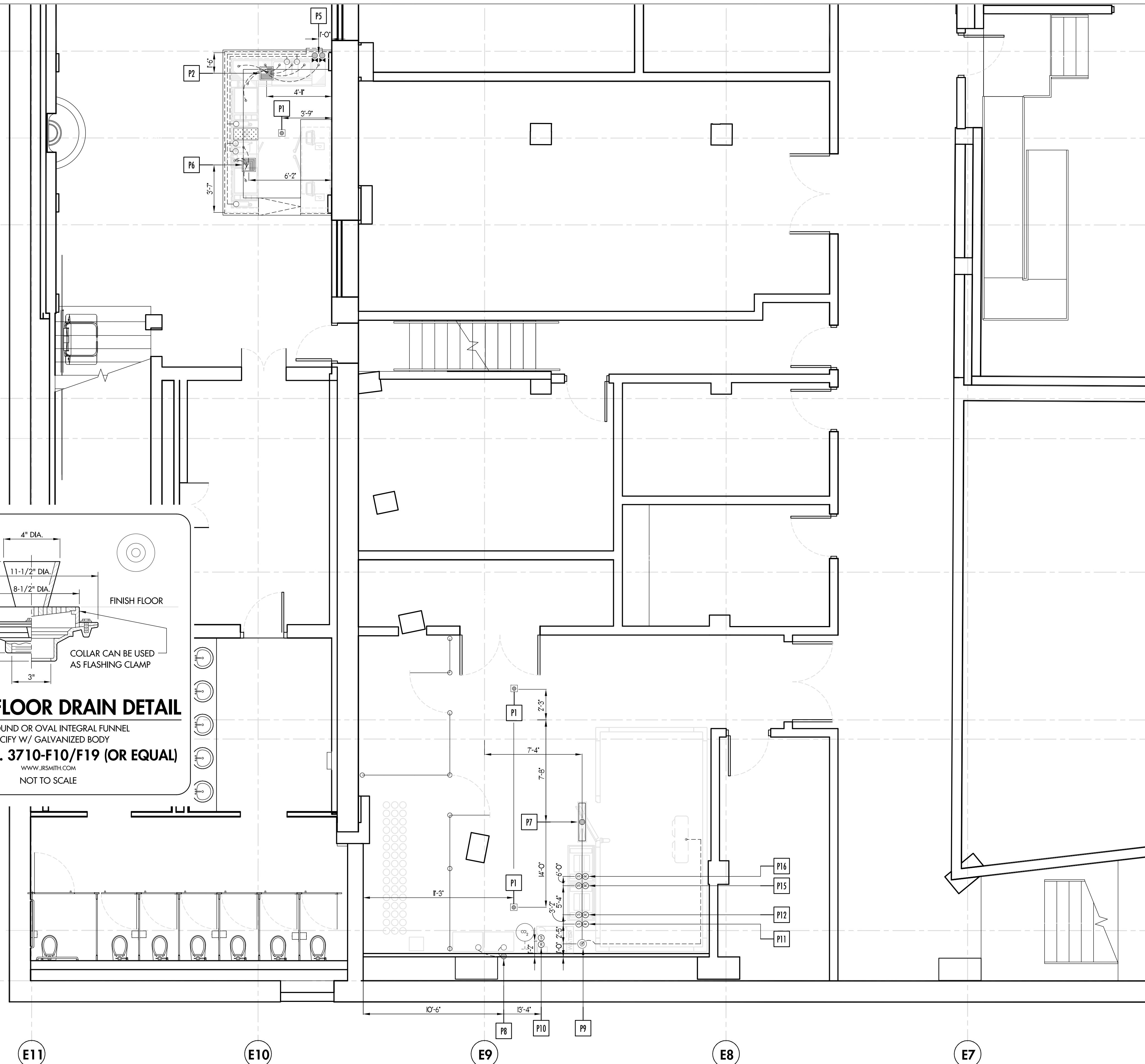
FUNNEL FLOOR DRAIN DETAIL

WITH ROUND OR OVAL INTEGRAL FUNNEL
SPECIFY W/ GALVANIZED BODY
JR SMITH CO. 3710-F10/F19 (OR EQUAL)
WWW.JRSMITH.COM
NOT TO SCALE

PLUMBING LEGEND

- CONNECTION
- ⊕ STUB-UP PIPE
- ⊖ SHUT OFF
- ⊕ GAS PIPE STUB-UP
- ⊕ FUNNEL FLOOR DRAIN
- ⊕ OPEN SITE FLOOR DRAIN
- ⊕ FLOOR SINK (3/4 GRATE)
- ⊕ NO PLUMBING TO TRAVERSE AREA
- ⊕ AREA FLOOR DRAIN
- C.W. COLD WATER
- H.W. HOT WATER
- W. WASTE
- I.W. INDIRECT WASTE
- B.T.U. BRITISH THERMAL UNIT
- SE SELF EVAPORATOR
- AFF ABOVE FINISH FLOOR
- PSI POUNDS PER SQUARE INCH
- BTC BRANCH TO CONNECTION
- ⊕ CONDENSING WATER SUPPLY AND RETURN

COPYRIGHT ©
UNAUTHORIZED USE OF THE FOODSERVICE DESIGNS, DETAILS, AutoCAD® BLOCKS, AND SPECIFICATIONS CONTAINED IN THESE DOCUMENTS IS STRICTLY PROHIBITED. NSD, INC. MAINTAINS OWNERSHIP OF SAME. THIS PROHIBITION EXTENDS FROM PRINTED MATERIAL TO ANY ELECTRONIC VERSION OF THE SAME. NO USE, OTHER THAN THAT FOR WHICH IT IS INTENDED, IS STRICTLY PROHIBITED WITHOUT WRITTEN PERMISSION FROM NEXT STEP DESIGN, INC. ALL RIGHTS RESERVED.



BASEMENT PLUMBING ROUGH-IN PLAN

SCALE 1/4" = 1'-0"

FOODSERVICE - BASEMENT PLUMBING ROUGH-IN PLAN

1/4" = 1'-0" 1