

GENERAL CONTRACTOR NOTES

NOTE A:
GC WILL INSTALL WALL BACKING (REINFORCEMENT) FOR WALL MOUNTED SHELVING & FIXTURES. SUGGESTED 48" x (PER PLAN) PLYWOOD SECURED WITH HORIZONTAL CENTERLINE AT 5" A.F.F.

NOTE B:
BACKING FOR HAND SINKS AND MOP FAUCET BY PLUMBER. SUGGESTED: 12" X 18" PLYWOOD SECURED WITH HORIZONTAL CENTERLINE AT 42" A.F.F.

NOTE C:
COORDINATE OPENINGS IN MILLWORK WITH KITCHEN EQUIPMENT CONTRACTOR, VERIFY ALL DIMENSIONS IN CONJUNCTION WITH FOOD SERVICE MANUFACTURERS CUT SHEETS AND SHOP DRAWINGS.

NOTE D:
ALL CORE DRILLING REQUIRED FOR REMOTE REFRIGERATION PIPING WORK BY THE K.E.C.'S REFRIGERATION CONTRACTOR IS IN THE GENERAL CONTRACTOR SCOPE OF WORK. COORDINATE EXACT LOCATION AND NUMBER OF PENETRATIONS WITH THE K.E.C. AND COMPLY WITH ALL LANDLORD REQUIREMENTS FOR X-RAY OF SLAB PRIOR TO WORK.

SEE ARCHITECTURAL PLANS FOR OTHER DETAILS ON MILLWORK.

CONTRACTOR TO VERIFY ALL DIMENSIONS.

GENERAL CONTRACTOR TO PITCH FLOORS TO ALL AREA FLOOR DRAINS.

NOTICE

ALL ITEMS NOTED ON THIS PLAN ARE TO BE INCLUDED AS PART OF THE GENERAL CONTRACTOR'S SCOPE OF WORK.

FINISH SCHEDULE

KITCHEN AREA:

***FLOOR:** QUARRY TILE, COVERED TO WALLS AND/OR WALK-IN COOLERS, DARK EPOXY GROUT PITCH ALL FLOOR 1/8" PER FT. TO AREA DRAINS & FLOOR TROUGHS

***CEILING:** SUSPENDED ACOUSTICAL TILE, T-GRID SYSTEM 2' X 2', WASHABLE UNFISSURED AND UNPERFORATED.

WALLS: TYPE 1: FIBERGLASS REINFORCED PLASTIC, FRP LIGHT COLOR, REFLECTIVE, WASHABLE, GREASE RESISTANT.

TYPE 2: STAINLESS STEEL WALL PANELS, STAINLESS STEEL END CAPS, 18 GAUGE WITH HEM SEAMS. (BY KEC)

TYPE 3: WHITE CERAMIC SUBWAY TILE

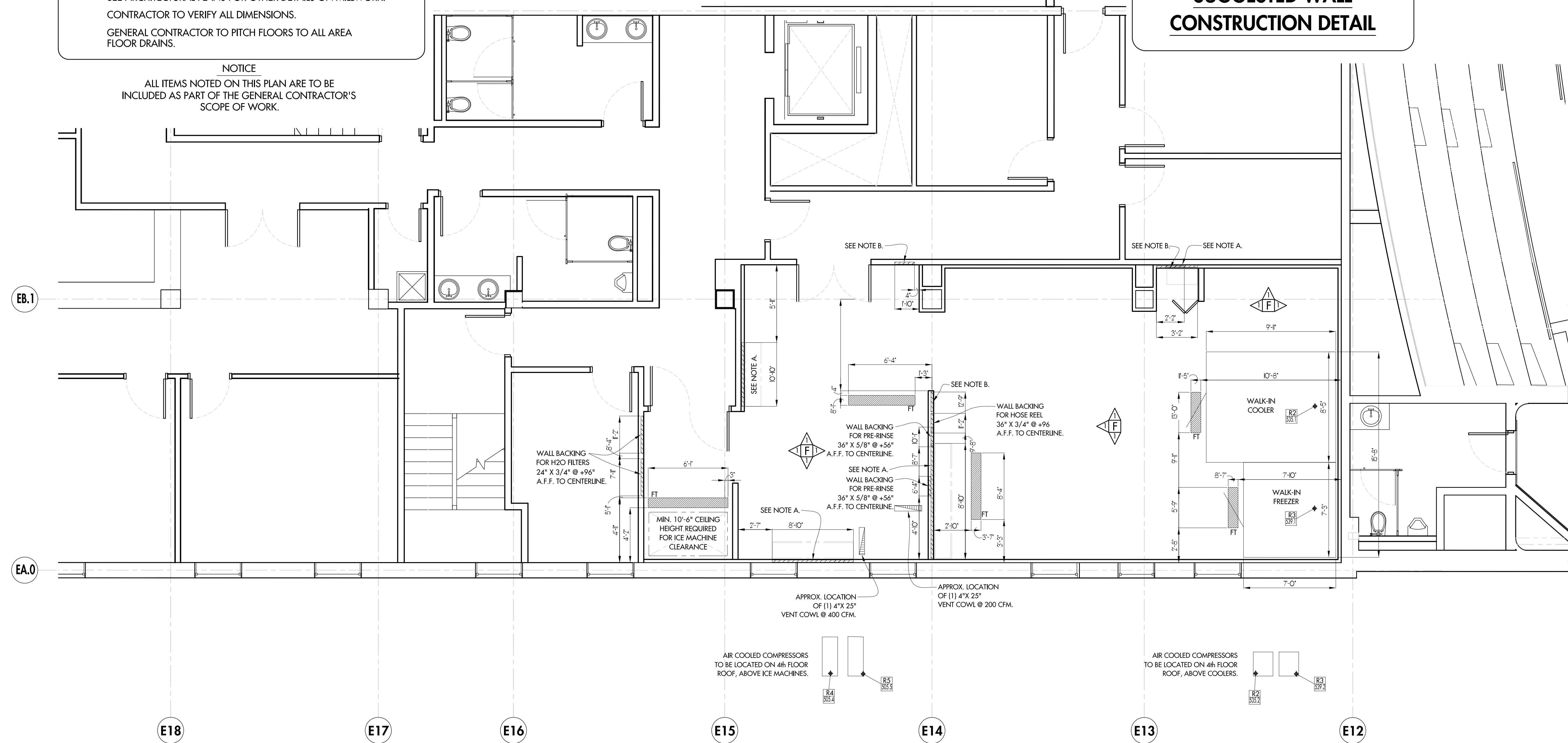
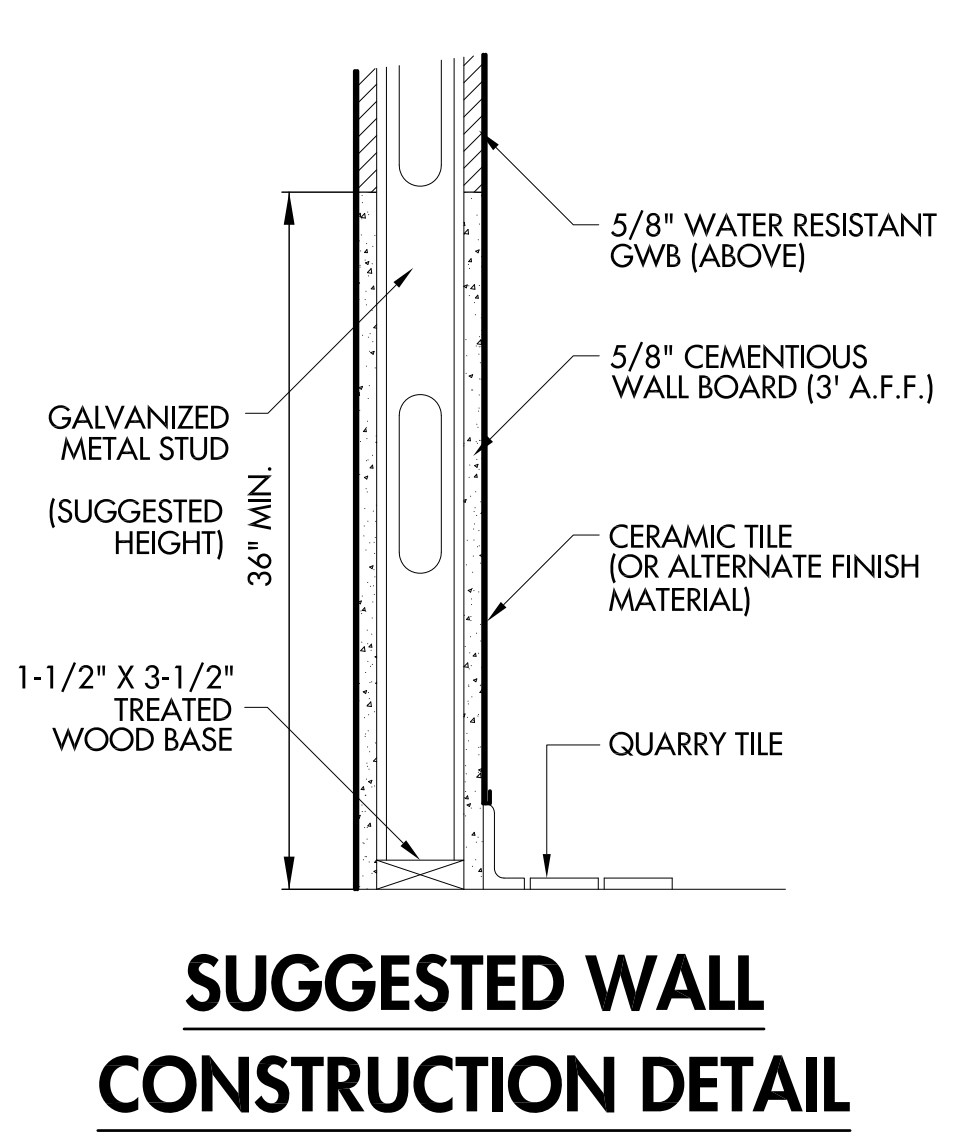
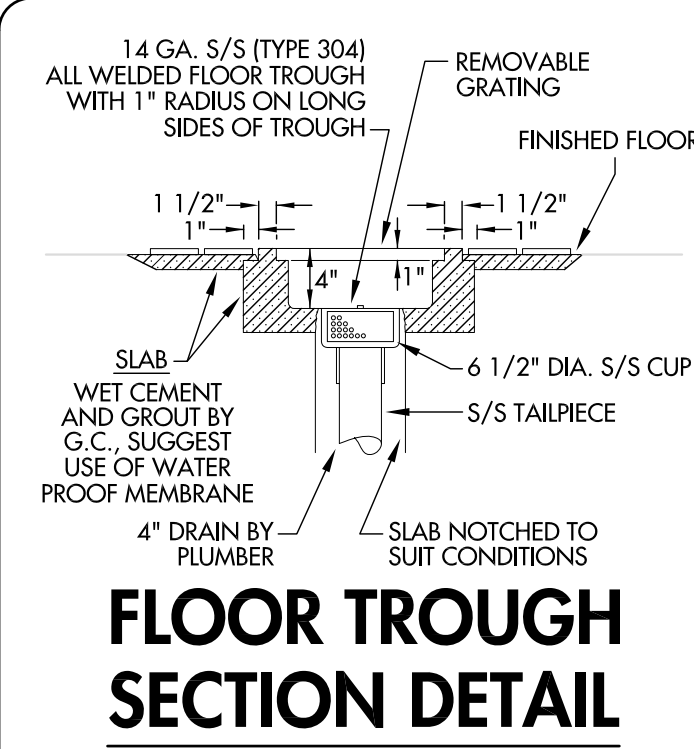
TYPE 4: DIAMOND TREAD +42" A.F.F. FRP REMAINING TO FINISHED CEILING

* SEE ARCHITECTURAL PLANS FOR DETAILED SPECIFICATIONS

NOTE: STAINLESS STEEL WALL PANELS & DIAMOND TREAD PANELS TO BE PROVIDED AND INSTALLED BY THE K.E.C.

LEGEND

- = AIR SUPPLY DUCT COLLAR
- = EXHAUST DUCT COLLAR
- = WALL BACKING
- = PVC PENETRATION FOR BEER/SODA LINES (SEE DETAIL)
- FT** = FLOOR TROUGH, (BY KEC) INSTALLED BY GENERAL CONTRACTOR
- FD** = AREA FLOOR DRAIN
- FS** = FLOOR SINK
- = RECESSED SLAB
- = FLOOR PITCH AREA
- = WALL FINISH KEY (SEE FINISH SCHEDULE)
- = REMOTE REFRIGERATION



THE SAENGER THEATRE RENEWAL PROJECT
142 North Rampart Street
New Orleans, LA

Client
Saenger Theatre Redevelopment Company
200 West Loop South, Suite
1040 Houston TX 77027

Architect
MARTINEZ & JOHNSON ARCHITECTURE

1412 Eye St., NW
Washington, DC 20005
202.333.4480

Structural Engineer
Shawn J. Franke, P.E.
549 Heimer Road San
Antonio, TX 78252
210.370.7300

Theatre Consultant
Schuler Shook
123 Third Street North #210
Minneapolis, MN 55401
612.339.5958

Acoustical Engineer
Akustiks
93 North Main Street South
Newark, CT 06854
202.299.1904

MEP Engineer
JBA Consulting Engineers, Inc.
3525 N. Causeway Blvd., Suite
500 Metairie, LA 70002
504.833.0139

Civil Engineer
Linfield, Hunter, & Junius, Inc.
3808 18th Street Suite 200
Metairie, LA 70002
504.833.5300

Architectural Historian
EHT Traceries, Inc.
1121 Fifth Street NW
Washington, DC 20001
202.393.1199



Next Step Design
FOODSERVICE CONSULTANTS
1116 West Street, Suite C
Annapolis, MD 21401
410.263.1200

THESE DRAWINGS, SPECIFICATIONS, AND OTHER DOCUMENTS, COLLECTIVELY, THE "DOCUMENTS", INCLUDING WITHOUT LIMITATION ELECTRONIC VERSIONS THEREOF AND THE IDEAS, DESIGNS, AND ARRANGEMENTS REPRESENTED THEREBY, ARE AND SHALL REMAIN THE PROPERTY OF MARTINEZ & JOHNSON ARCHITECTURE P.C. AS DEFINED BY APPLICABLE CONTRACTUAL AGREEMENTS (THE "AGREEMENTS") AND AS PROTECTED BY THE COPYRIGHT STATUTES OF THE UNITED STATES. USE OF THE DOCUMENTS SHALL BE STRICTLY LIMITED TO THE PROJECT FOR WHICH THEY WERE PREPARED AND DEVELOPED (THE "PROJECT") PER THE TERMS OF THE AGREEMENTS. NO PART OF THE DOCUMENTS SHALL BE COPIED, DISCLOSED TO OTHERS, OR USED IN CONNECTION WITH ANY OTHER WORK OR PROJECT, OR BY ANY OTHER PERSONS FOR ANY PURPOSES, OTHER THAN THE COMPLETION OF THE PROJECT, WITHOUT THE SPECIFIC WRITTEN AUTHORIZATION OF MARTINEZ & JOHNSON ARCHITECTURE P.C. THE COPYING, OPENING, OR VIEWING OF ELECTRONIC VERSIONS OF THE DOCUMENTS OR VISUAL CONTACT WITH ANY PRINTED FORM THEREOF SHALL CONSTITUTE CONCLUSIVE EVIDENCE OF ACCEPTANCE OF THESE RESTRICTIONS.

7502

DATE:	No.:	ISSUE:
02.19.10	1	PERMIT SET
04.02.10	2	GMP CONTRACT SET
11.11.10	-	CONTRACT SET

DATE:	No.:	REVISION:

SHEET TITLE:
FOODSERVICE - 4th FLOOR SPECIAL CONDITIONS PLAN

FS-SC4

COPYRIGHT
UNAUTHORIZED USE OF THE FOODSERVICE DESIGNS, DETAILS, AutoCAD® BLOCKS, AND SPECIFICATIONS CONTAINED IN THESE DOCUMENTS IS STRICTLY PROHIBITED. NSD, INC. MAINTAINS OWNERSHIP OF SAME. THIS PROHIBITION EXTENDS FROM PRINTED MATERIAL TO ANY ELECTRONIC VERSION OF THE SAME. NO USE, OTHER THAN THAT FOR WHICH IT IS INTENDED, IS STRICTLY PROHIBITED WITHOUT WRITTEN PERMISSION FROM NEXT STEP DESIGN, INC. ALL RIGHTS RESERVED.

4th FLOOR SPECIAL CONDITIONS PLAN

SCALE 1/4" = 1'-0"