

**WARNING**

DO NOT EXPOSE CARTONED OR STACKED PANELS TO MOISTURE OR HIGH HUMIDITY CONDITIONS DURING STORAGE. STAINING OR OXIDIZING OF METAL SKINS MAY OCCUR.

**NOTICE**

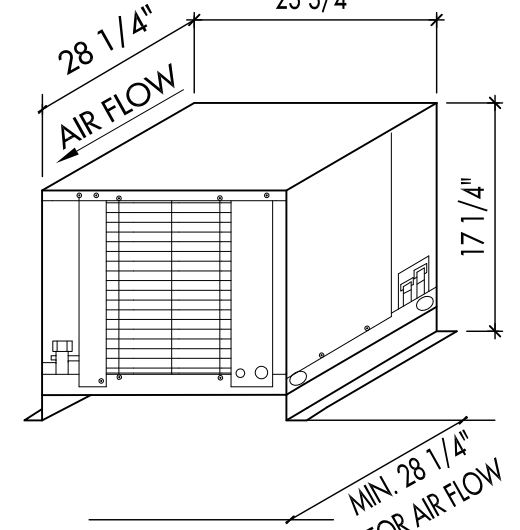
THIS ORDER CANNOT BE PLACED INTO PRODUCTION UNTIL WE RECEIVE FINAL APPROVED DRAWING AND SPECIFICATIONS. THE DATE OF RECEIPT CAN AFFECT YOUR PROMISED DELIVERY DATE.

THIS THERMO-KOOL WALK-IN WILL BE MANUFACTURED TO UL & NSF REQUIREMENTS. THERMO-KOOL ACCEPTS NO LIABILITY FOR LOCAL CODE REQUIREMENTS OF WHICH THERMO-KOOL HAS NOT BEEN MADE AWARE IN WRITING PRIOR TO FABRICATION.

PULL DOWN RATE TO 45° F IS UNRESTRICTED. AFTER 45° F, PULL DOWN RATE SHOULD BE RESTRICTED TO 10° F PER / 24 HOUR PERIOD.

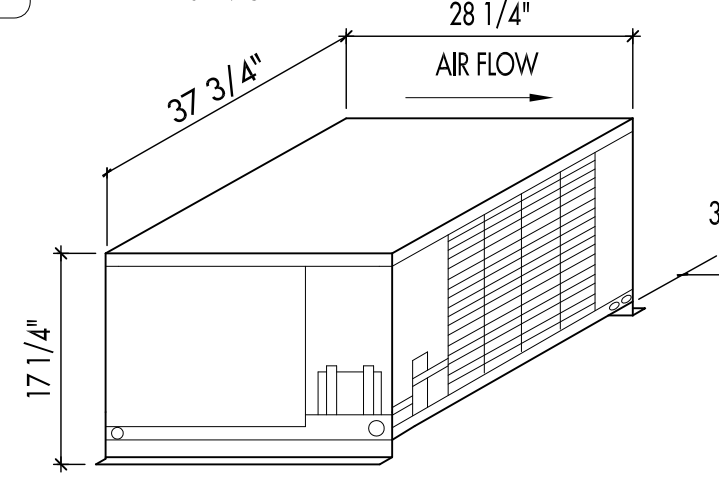
"MEETS 2009 ENERGY CODE STANDARD"

HEAVY DUTY STEEL RAISED BASE W/ 1 1/2" LEGS PREPAINTED G90 GALVANIZED CABINETS. UNSCREW WEATHERHOOD AND LIFT OFF FOR SERVICE.

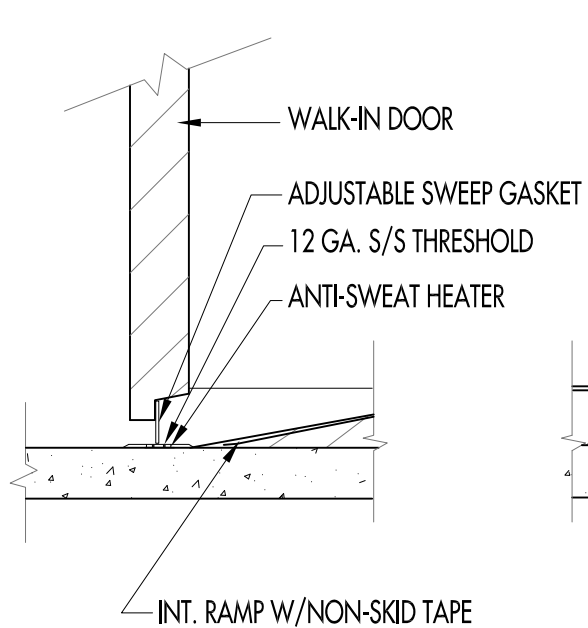


**MOSO10M63**

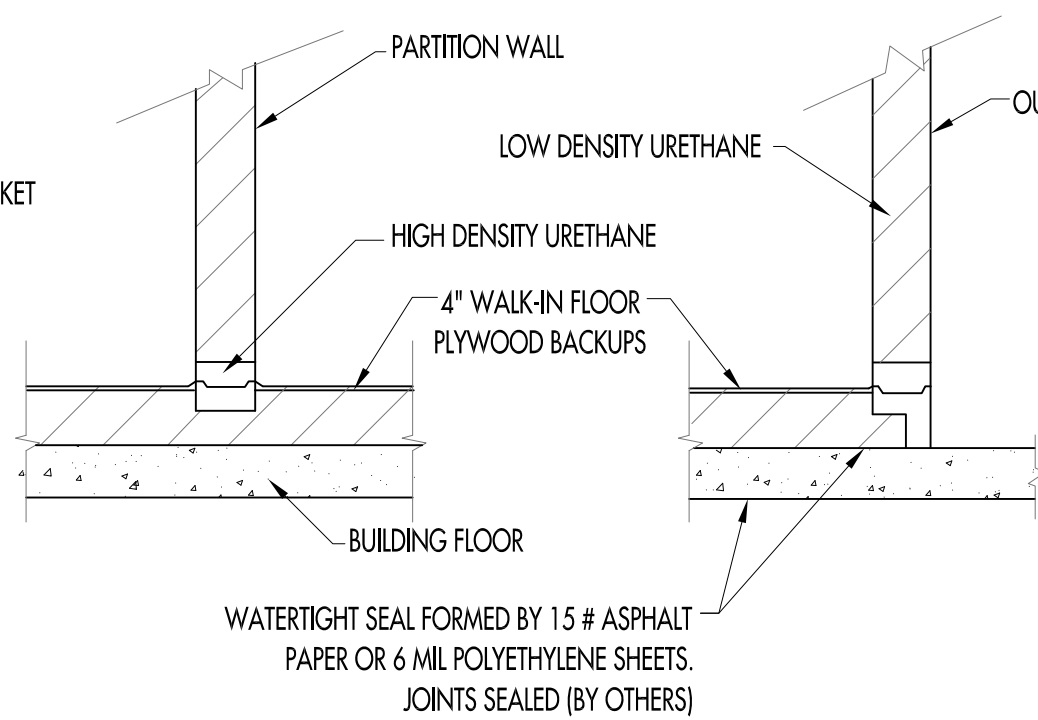
HEAVY DUTY STEEL RAISED BASE WITH 1 1/2" LEGS PREPAINTED G90 GALVANIZED CABINETS. UNSCREW WEATHERHOOD AND LIFT OFF FOR SERVICE.



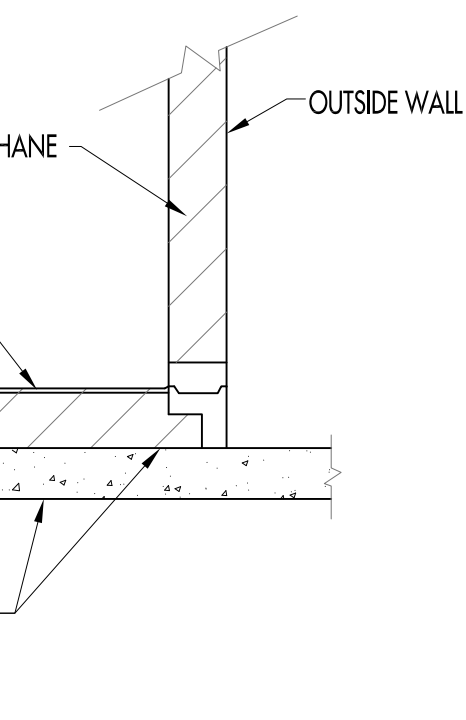
**MOSO15L63**



**SECTION THRU DOOR**

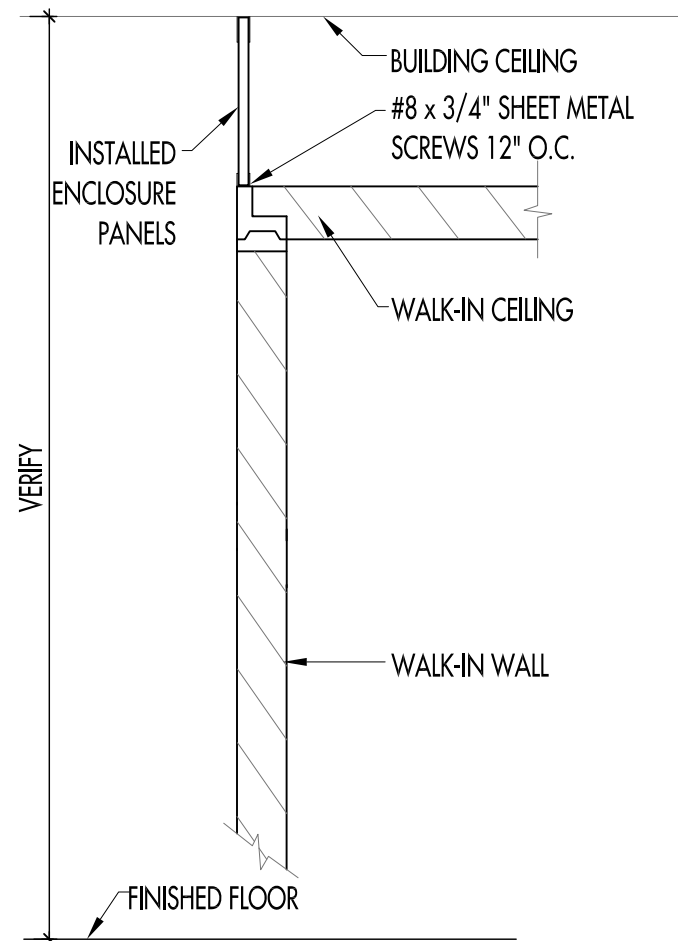


**SECTION THRU PARTITION**

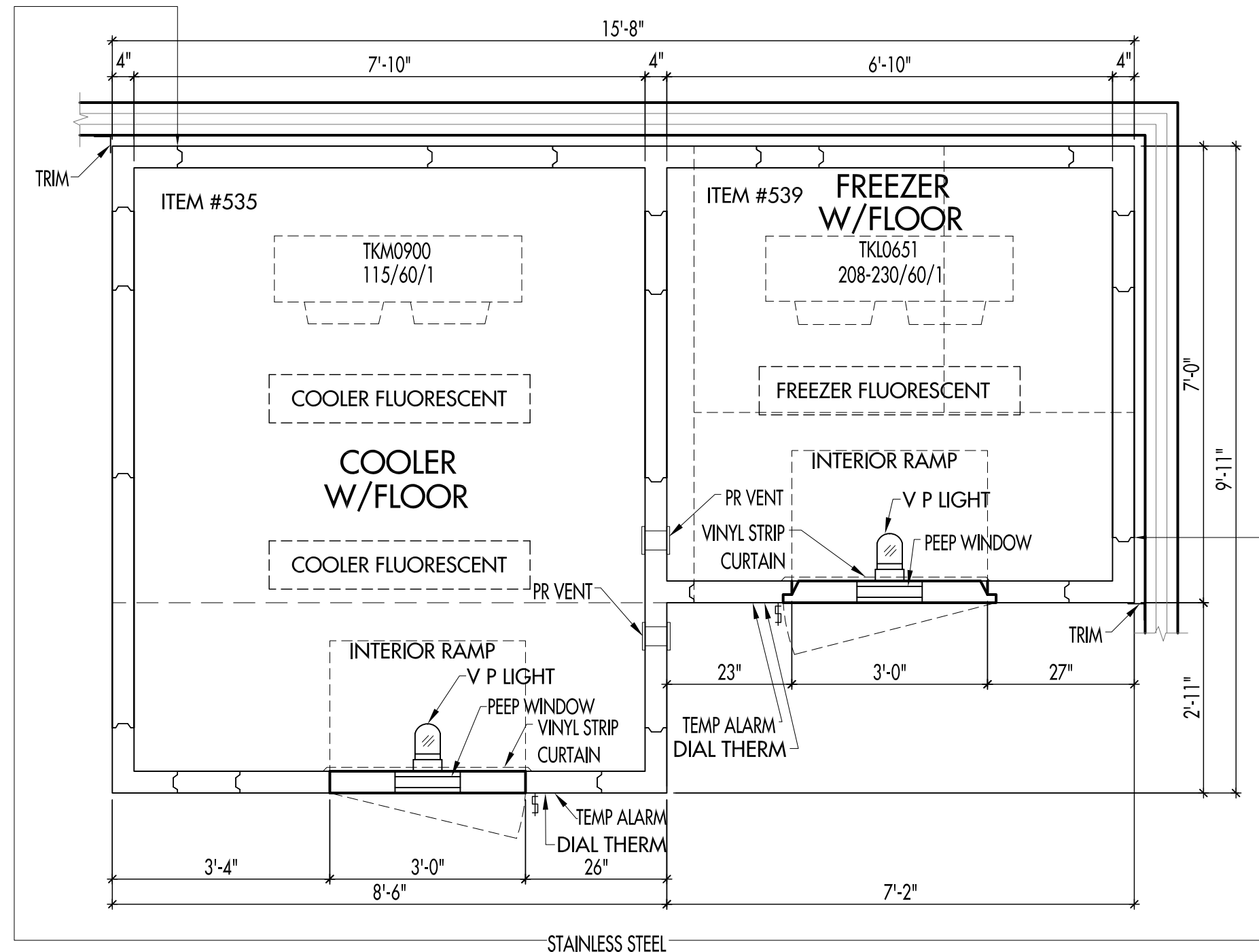


**SECTION THRU OUTSIDE WALL**

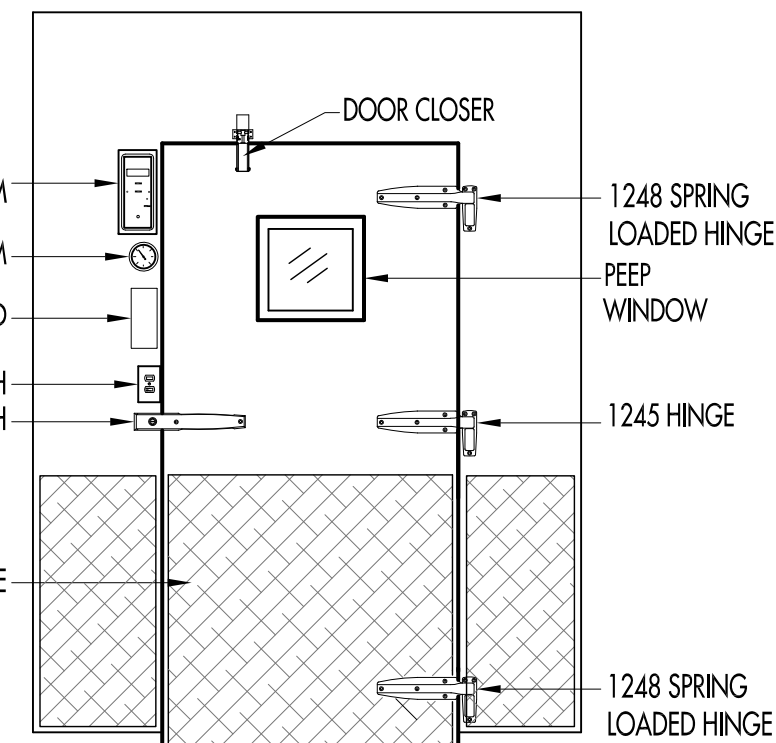
NOTE: VERIFY ALL DIMENSIONS. VERIFY TRIM/ENCLOSURE HEIGHT. VERIFY DOOR LOCATION.



**ENCLOSURE PANEL DETAIL**



**COOLER DOOR ELEVATION DOOR SECTION 4.0 AMPS**

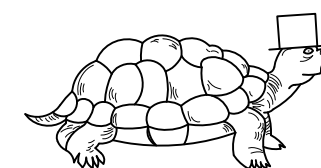


**FREEZER DOOR ELEVATION DOOR SECTION 4.0 AMPS**

**WALK-IN PANEL**  
Thermo-Kool/Mid-South Industries, Inc.  
R-14781  
1F68  
BUILDING UNITS  
SURFACE BURNING CHARACTERISTICS

	4 in. CORE MATERIAL	4 in. THICK PAINTED OR UNPAINTED ALUMINUM PANEL	4 in. THICK PAINTED OR UNPAINTED GALVANIZED OR STAINLESS STEEL PANEL
FLAME SPREAD	25	15	20
SMOKE DEVELOPEMENT	450	450	OVER 500

**Thermo-Kool**  
Mid-South Industries, Inc. • P.O. Box 989  
Laurel Mississippi 39441 • Phone 601/649-4600  
FAX 601/649-0558



NOTE: This drawing, and all drawings or specifications submitted by Thermo-Kool, and reproductions thereof in whole or in part shall remain the legal property of Mid-South Industries, Inc., subject to recall at any time and shall not be used for installations or production by others except by our special permission in writing. Walk-in panels manufactured under Patent # 5,424,118.

**WALK-IN COOLER DETAILS**

SCALE 1/2" = 1'-0"

Q8198B-82

33

OVERALL DIMENSIONS LENGTH 15'-8" DEPTH 9'-11" HEIGHT 8'-6"

- |                        |  |  |
|------------------------|--|--|
| <b>FINISH-Exterior</b> | <input checked="" type="checkbox"/> 26 Ga. Stucco Embossed Galv. Steel<br><input type="checkbox"/> .040 Stucco Aluminum<br><input checked="" type="checkbox"/> 20 Ga. Type 304 #3 Finish Stainless Steel<br><input type="checkbox"/> White Stucco Aluminum<br><input type="checkbox"/> White Smooth Aluminum<br><input type="checkbox"/> White Stucco Galv.<br><input type="checkbox"/> White Smooth Galv. | <b>Interior (walls and ceiling)</b><br><input type="checkbox"/> 26 Ga. Stucco Embossed Galv. Steel<br><input type="checkbox"/> .040 Stucco Aluminum<br><input checked="" type="checkbox"/> 20 Ga. Type 304 #3 Finish Stainless Steel<br><input type="checkbox"/> White Stucco Aluminum<br><input type="checkbox"/> White Smooth Aluminum<br><input type="checkbox"/> White Stucco Galv.<br><input type="checkbox"/> White Smooth Galv. |
| <b>EXPOSED</b>         | <input type="checkbox"/> 4" x 2" Vinyl U-Channel Screens<br><input type="checkbox"/> 14 Ga. Bright Galvanized Steel<br><input checked="" type="checkbox"/> 16 Ga. Stainless Steel<br><input type="checkbox"/> 1/8" Smooth Aluminum DURA FLOOR<br><input type="checkbox"/> Treadbrite Aluminum Foamed-In-Place<br><input type="checkbox"/> 1/8" Treadplate Aluminum Foamed-In-Place                         | <input type="checkbox"/> Wall Anchors<br><input type="checkbox"/> 4 1/4" Foam Screens<br><input type="checkbox"/> 2 1/4" Vinyl Screens   |

SEE DETAIL BELOW

THERMO-KOOL WALK-IN FLOOR PANELS ARE DESIGNED TO WITHSTAND UNIFORMLY DISTRIBUTED STATIONARY LOADS OF 600 LBS. PER SQUARE FOOT. THERMO-KOOL'S WARRANTY DOES NOT COVER DAMAGE DUE TO PALLET JACKS, MOBILE CARKS, MOBILE SHELVING, FORK LIFTS, OR ANY OTHER FORM OF ROLLING TRAFFIC. A CONCRETE WEARING FLOOR MUST BE INSTALLED ON TOP OF THE WALK-IN FLOOR PANELS FOR THIS APPLICATION.

SECTION FASTENERS-Thermo-Kool cam type Insta-Lok

INSULATION-4" thickness "Foamed-in-place" urethane-DURATHANE CONSTRUCTION CLASS I

- OUTDOOR INSTALLATION**
- Vinyl weather roof W/ Fascia Bar & Cover
  - Sloped Foam  \_\_\_\_ SQ. FT. OF 4-MIL POLYETHYLENE (FOR BETWEEN SLOPED FOAM & VINYL WEATHERCAP)
  - Aluminum weather roof by Thermo-Kool (W/ Weathercap Trim)

**INDOOR INSTALLATION**

ELECTRICAL-All wiring contained within the door sections is 115/60/1Ø. Connections to this and all other lights and refrigeration supplied by others.

ENTRANCE DOOR-Flush infitting type with poly vinyl magnetic gasket and vinyl sweep gasket on bottom edge. Heater cables are built in around door opening to prevent frost accumulation and sweating. Ext. has a thermometer, indicating light and toggle switch. Interior has vapor proof light. Hinges are cam action type. Door finishes will be the same as adjacent panels unless specified otherwise under Door Accessories.

DOOR SIZE & QTY	HARDWARE	SWING
<input type="checkbox"/> ( ) 34" x 76"	<input type="checkbox"/> 1238-C LATCH, (2) 1245 HINGES, DOOR CLOSER	<input checked="" type="checkbox"/> RH
<input type="checkbox"/> ( ) 30" x 76"	<input type="checkbox"/> 1238-C LATCH, (3) 1245 HINGES, DOOR CLOSER	<input checked="" type="checkbox"/> LH
<input checked="" type="checkbox"/> (2) 36" x 78"	<input checked="" type="checkbox"/> 1238-C LATCH, (1) 1245 HINGE, (2) 1248 SPRING LOADED HINGES, DOOR CLOSER	

**DOOR ACCESSORIES**

- (2) 14" x 14" Peep Window(s)
- ( ) 14" x 24" Peep Window(s)
- (1) - VINYL STRIP CURTAIN TO FIT AN OPENING SIZE 30" x 76"
- ALUMINUM TREADBRITE INTERIOR/EXTERIOR KICKPLATES & JAMB GUARDS 36" HIGH
- 12 GA. STAINLESS STEEL THRESHOLD
- VP LIGHT TO BE CENTERED ABOVE DOOR
- (1) - MODULARM 75 TEMPERATURE ALARM
- ALL FIELD SERVICE BOXES & SWITCHES ON INTERIOR OF WALK-IN TO BE WATER TIGHT

**MISCELLANEOUS EQUIPMENT**

- ( ) Lights (NOT MOUNTED) 1 AMP EACH
- 2- Interior Floor Ramp
- Exterior Floor Ramp
- 2- # 1830 Heated Pressure Relief Vent (FREEZER ONLY) .5 AMPS EACH
- # 1832-4 Heated Pressure Relief Vent (FREEZER ONLY) .5 AMPS EACH
- STAINLESS STEEL Trim & Enclosures (see detail)
- (2) - 4' FLUORESCENT LIGHT FIXTURES (BULBS BY OTHERS)
- (1) - 4 FT. FREEZER FLUORESCENT LIGHT FIXTURE(S) (LESS BULBS)
- (1) - TWO-SIDED OFFSET
- ALL FIELD SERVICE BOXES & SWITCHES ON INTERIOR OF WALK-IN TO BE WATER TIGHT
- 1/2" PLYWOOD SUBFLOOR

**REFRIGERATION-**

- Aircooled  Watercooled  By Others
- 1 HP MED TEMP MOSO10M63 208-230/60/3Ø W/ TKM-0900 115/60/1Ø CONDENSING UNIT AMPS: 5.3
- 1 1/2 HP LOW TEMP MOSO15L63 208-230/60/3Ø W/ TKL-651 208-230/60/1Ø CONDENSING UNIT AMPS: 8.5
- COIL AMPS: 1.8
- R-404A REFRIGERANT, SEMI-HERMETIC
- BTU CAPACITY @ 35°F ROOM TEMP = 9,680
- LIQUID LINE SIZE = 3/8"
- SUCTION LINE SIZE = 5/8"
- BASE SIZE = 23 3/4" x 28 1/4" x 17 1/4"
- UNIT WITH A MEDIUM TEMP. R-404A EXPANSION VALVE
- COIL HEATER AMPS: 7.8
- R-404A REFRIGERANT, SEMI-HERMETIC
- BTU CAPACITY @ -10°F ROOM TEMP = 7,340
- LIQUID LINE SIZE = 3/8"
- SUCTION LINE SIZE = 7/8"
- BASE SIZE = 37 3/4" x 28 1/4" x 17 1/4"
- UNITS WITH A TIME CLOCK
- EVAPORATOR COILS WITH EC MOTORS

- Condensing unit indoor
- Condensing unit outdoor
- Side Mounted Self Contained
- Top Mounted Self Contained
- Quick Connect  Remote  Top Mounted
- Prewired, Preassembled Remote

NOTES: Aircooled condensing units should be placed in a well ventilated area with a minimum of 1000 CFM's per/H.P.

Evaporator drain connections by others.

NOTE: THERMO-KOOL recommends a 1" min. clearance between walk-in & building walls.



CONTROL KIT-The following controls indicated with a mark are included.

- Expansion valve
- Dryer
- Sight glass
- Temperature control
- Pump down solenoid valve
- Freezer Time Clock
- Pressure control
- Suction line vibration eliminator
- Winter control
- Crankcase heater
- Condensing unit cover
- Coil Mounting Kit

**THE SAENGER THEATRE RENEWAL PROJECT**

142 North Rampart Street  
New Orleans, LA

Client  
Saenger Theatre Redevelopment Company  
200 West Loop South, Suite  
1040 Houston TX 77027

Architect  
**MARTINEZ+JOHNSON ARCHITECTURE**

1412 Eye St. NW  
Washington, DC 20005  
202.333.4480

Structural Engineer  
Shawn J. Franke, P.E.  
548 Helmer Road San  
Antonio TX 78232  
210.979.7900

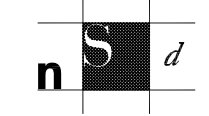
Theatre Consultant  
Schuler Shook  
123 Third Street North #210  
Minneapolis, MN 55401  
612.338.5958

Acoustical Engineer  
Akustiks  
93 North Main Street South  
Norwalk, CT 06854  
202.299.1904

MEP Engineer  
JBA Consulting Engineers, Inc.  
3525 N. Causeway Blvd, Suite  
500 Metairie, LA 70002  
504.830.0139

Civil Engineer  
Linfield, Hunter, & Junius, Inc.  
3608 18th Street Suite 200  
Metairie, LA 70002  
504.833.5300

Architectural Historian  
EHT Traceries, Inc.  
1121 Fifth Street NW  
Washington, DC 20001  
202.393.1199



Next Step Design  
FOODSERVICE CONSULTANTS  
1116 West Street, Suite C  
Annapolis, MD 21401  
410.263.1200

THESE DRAWINGS, SPECIFICATIONS AND OTHER DOCUMENTS (COLLECTIVELY "THE DOCUMENTS") INCLUDING WITHOUT LIMITATION ELECTRONIC VERSIONS THEREOF AND THE IDEAS, DESIGNS AND ARRANGEMENTS REPRESENTED THEREBY ARE AND SHALL REMAIN THE PROPERTY OF MARTINEZ & JOHNSON ARCHITECTURE, P.C. AS DEFINED BY APPLICABLE CONTRACTUAL AGREEMENTS ("THE AGREEMENTS") AND AS PROTECTED BY THE COPYRIGHT STATUTES OF THE UNITED STATES. USE OF THE DOCUMENTS SHALL BE STRICTLY LIMITED TO THE PROJECT FOR WHICH THEY WERE PREPARED AND DEVELOPED ("THE PROJECT") PER THE TERMS OF THE AGREEMENTS. NO PART OF THE DOCUMENTS SHALL BE COPIED, DISCLOSED TO OTHERS, OR USED IN CONNECTION WITH ANY OTHER WORK OR PROJECT, OR BY ANY OTHER PERSONS FOR ANY PURPOSES, OTHER THAN THE COMPLETION OF THE PROJECT, WITHOUT THE SPECIFIC WRITTEN AUTHORIZATION OF MARTINEZ & JOHNSON ARCHITECTURE, P.C. THE DOWNLOADING, OPENING, OR VIEWING OF ELECTRONIC VERSIONS OF THE DOCUMENTS OR VISUAL CONTACT WITH ANY PRINTED FORM THEREOF SHALL CONSTITUTE CONCLUSIVE EVIDENCE OF ACCEPTANCE OF THESE RESTRICTIONS.

7502

DATE:	No.:	ISSUE:
02.19.10	1	PERMIT SET
04.02.10	2	GMP CONTRACT SET
11.11.10	-	CONTRACT SET

DATE:	No.:	REVISION:

SHEET TITLE:  
**FOODSERVICE - WALK-IN COOLER/FREEZER DETAILS**

**FS-WIC2**

**COPYRIGHT**  
UNAUTHORIZED USE OF THE FOODSERVICE DESIGNS, DETAILS, AutoCAD® BLOCKS, AND SPECIFICATIONS CONTAINED IN THESE DOCUMENTS IS STRICTLY PROHIBITED. NSD, INC. MAINTAINS OWNERSHIP OF SAME. THIS PROHIBITION EXTENDS FROM PRINTED MATERIAL TO ANY ELECTRONIC VERSION OF THE SAME. NO USE, OTHER THAN THAT FOR WHICH IT IS INTENDED, IS STRICTLY PROHIBITED WITHOUT WRITTEN PERMISSION FROM NEXT STEP DESIGN, INC. ALL RIGHTS RESERVED.