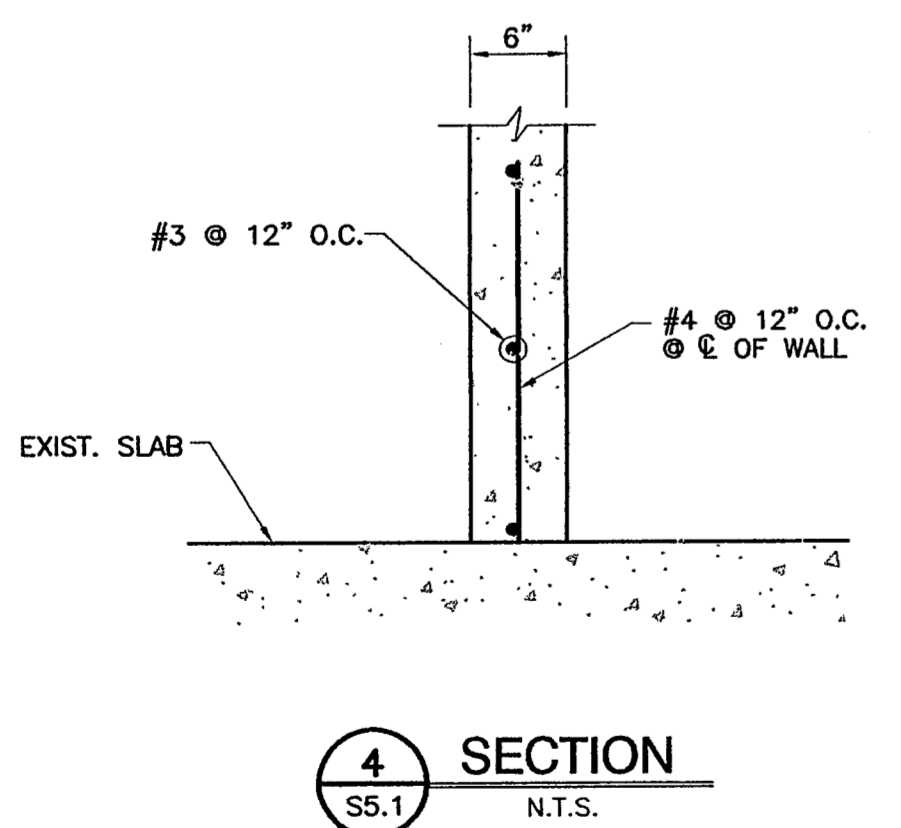
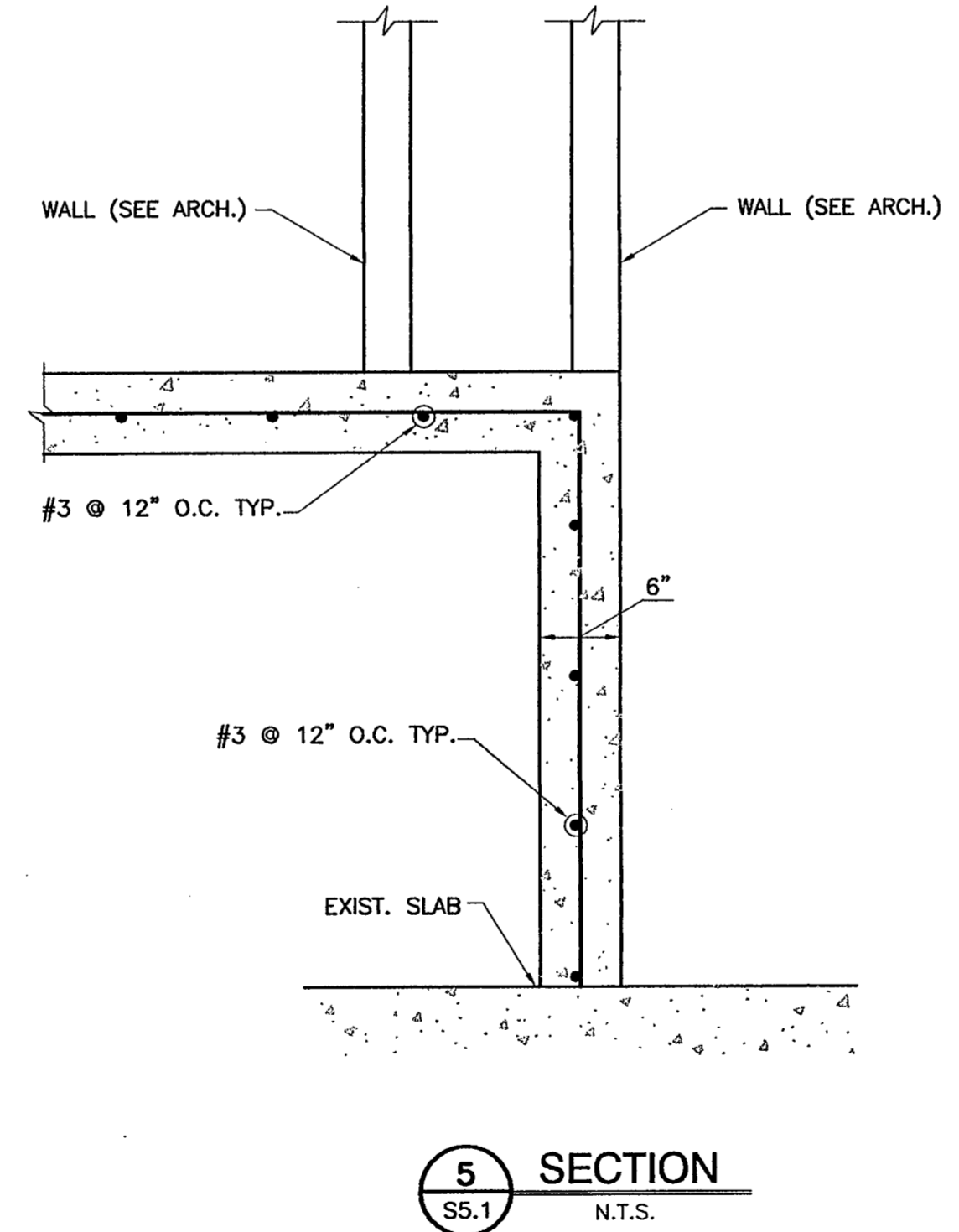
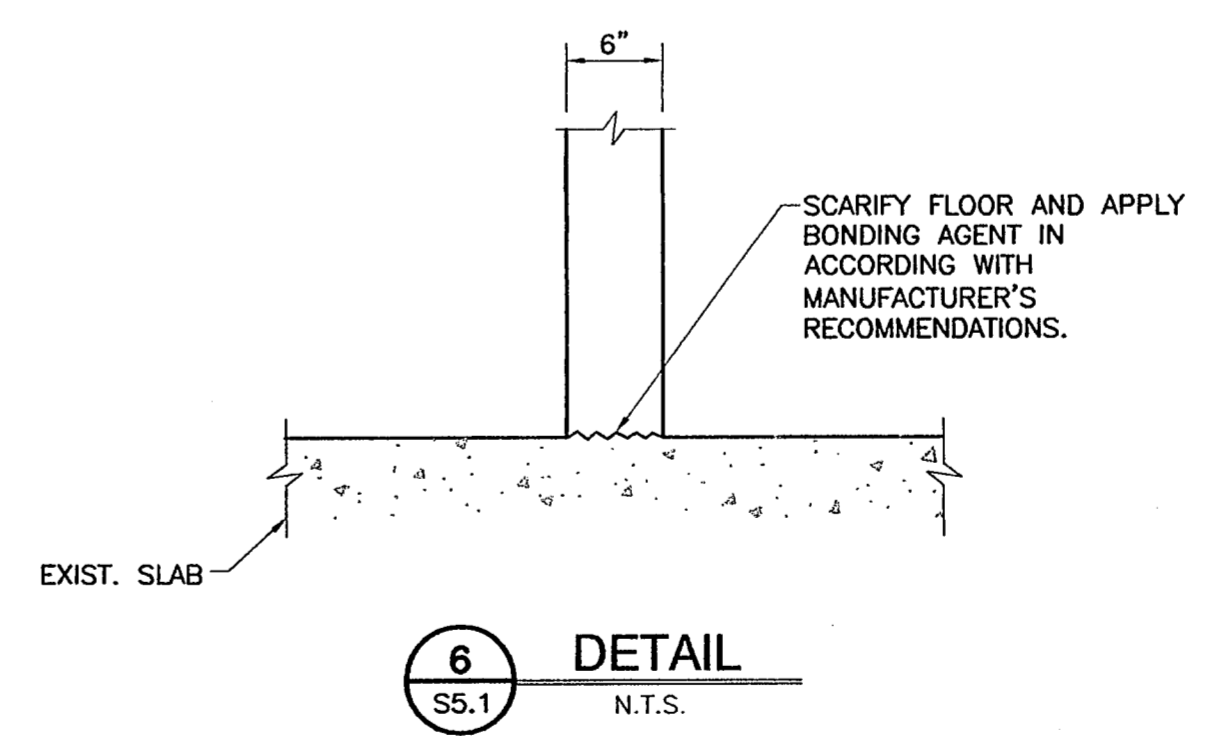
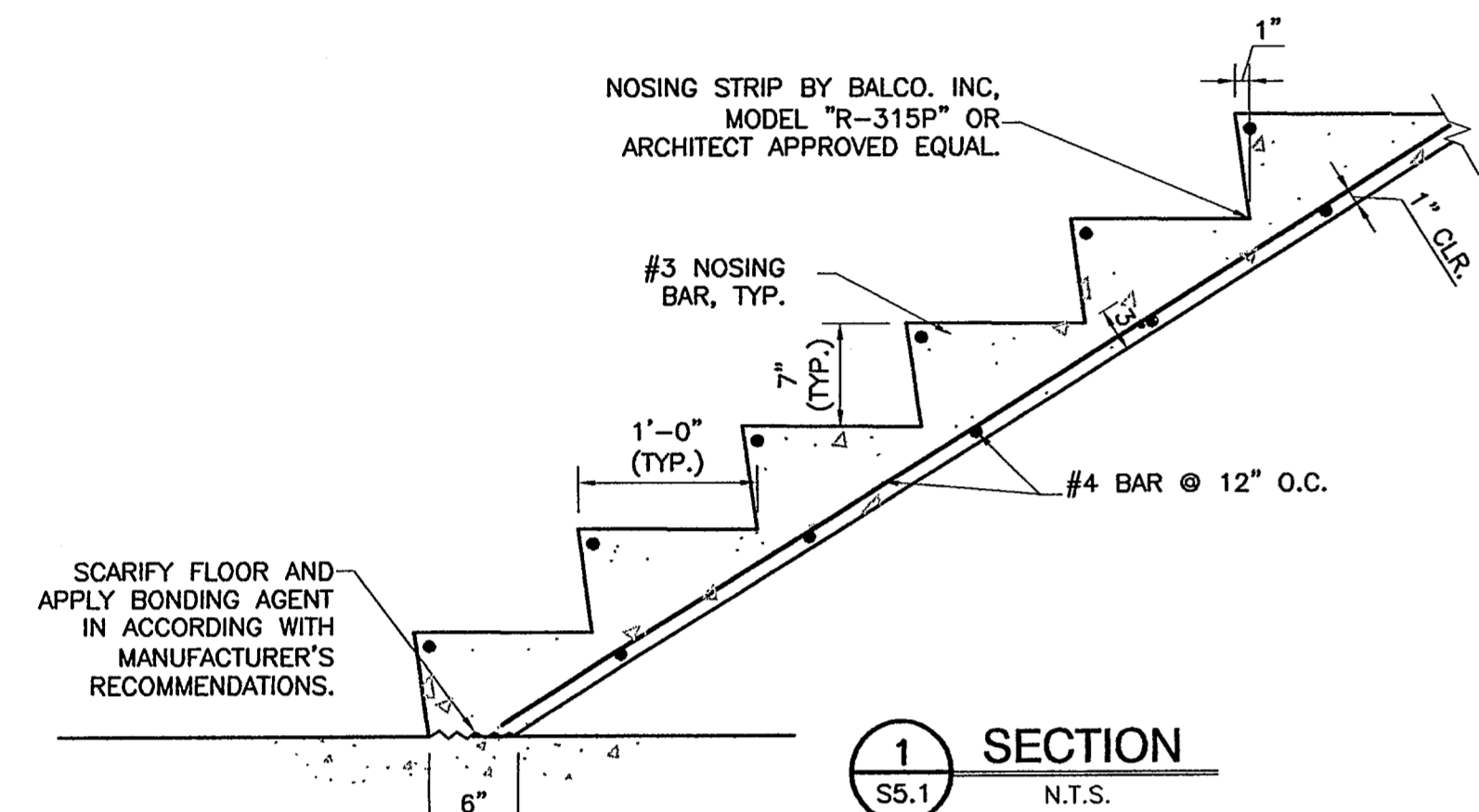
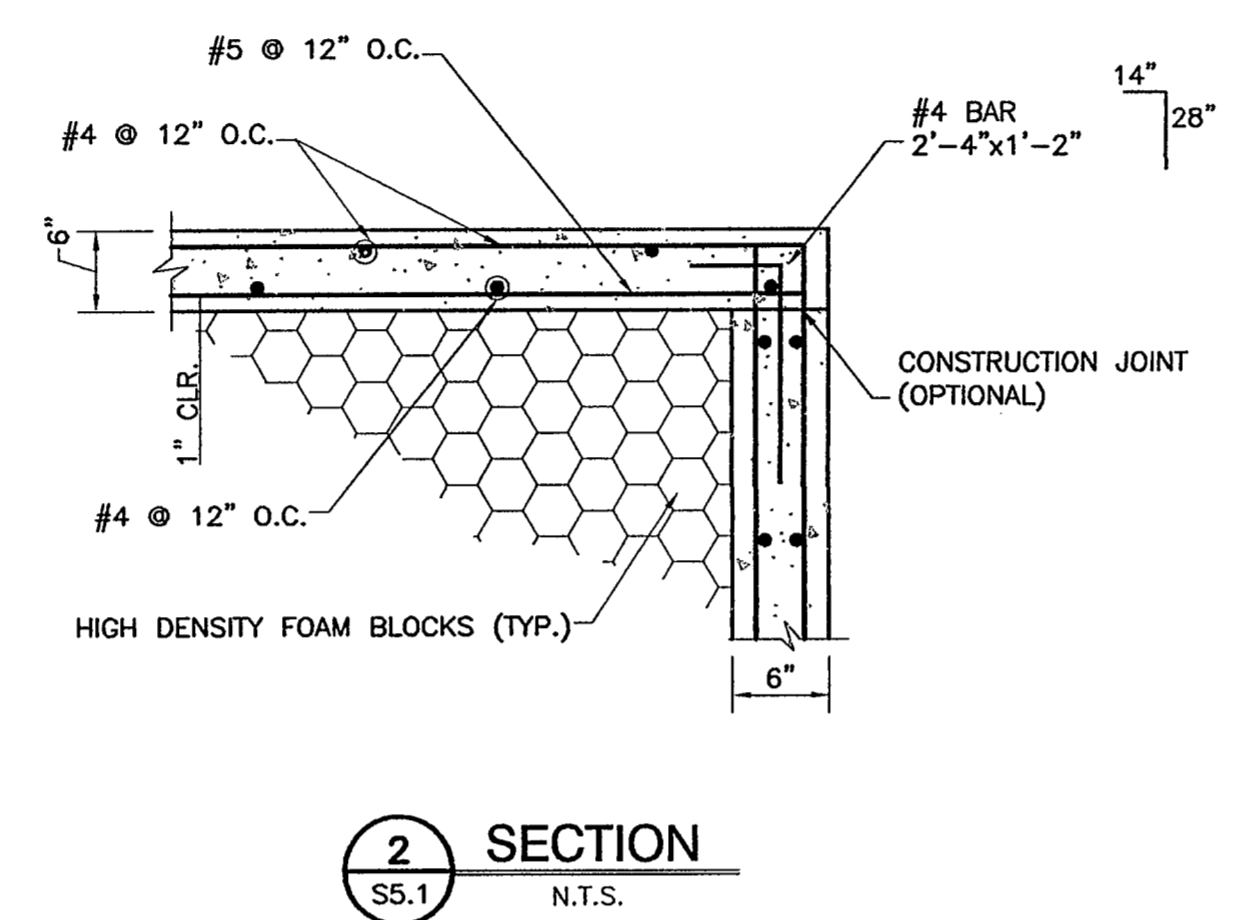
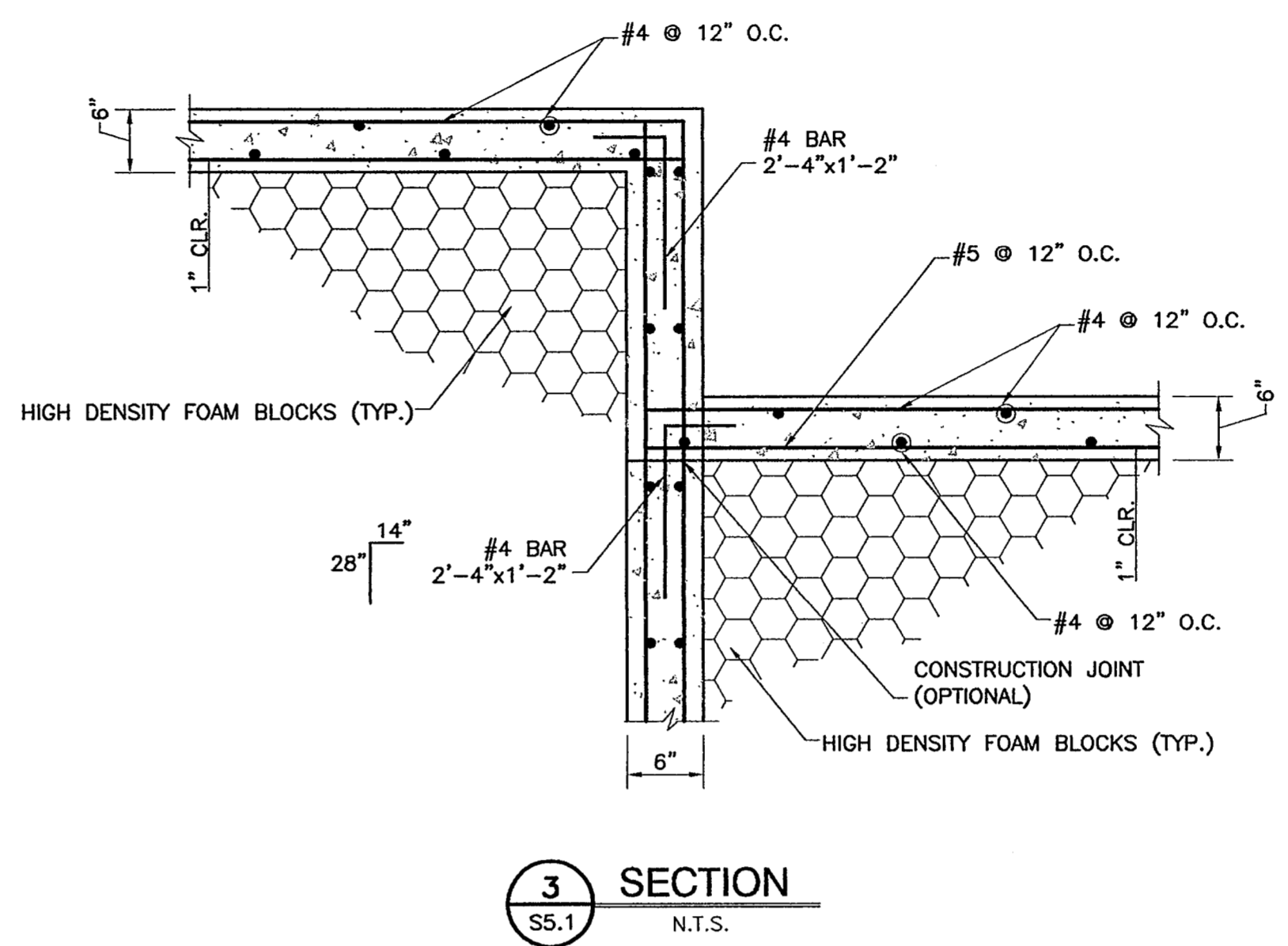


THESE DRAWINGS ARE THE SOLE PROPERTY OF FAUNTLEROY LATHAM WELDON BARRÉ ARCHITECTS, APC, AND ARE ISSUED AS INSTRUMENTS OF SERVICE. THESE DRAWINGS SHALL NOT BE COPIED, REPRODUCED OR USED IN ANY MANNER WITHOUT WRITTEN CONSENT OF FAUNTLEROY LATHAM WELDON BARRÉ ARCHITECTS, APC.

Issue	Date	Remark

FOUNDATION DETAILS

Job No	206011.09	Sheet No	S5.1
Drawn by	MMM		
Checked by	SMG		
Date	16.SEP.10		



N:\2010\1049 - Salmen HS - Gym and MP2\Drawings\1) Plans\Structural\1049-DT-DT-A1-S-1.dwg, ADI, SS, 9/14/2010 8:24:49 AM, mmm