

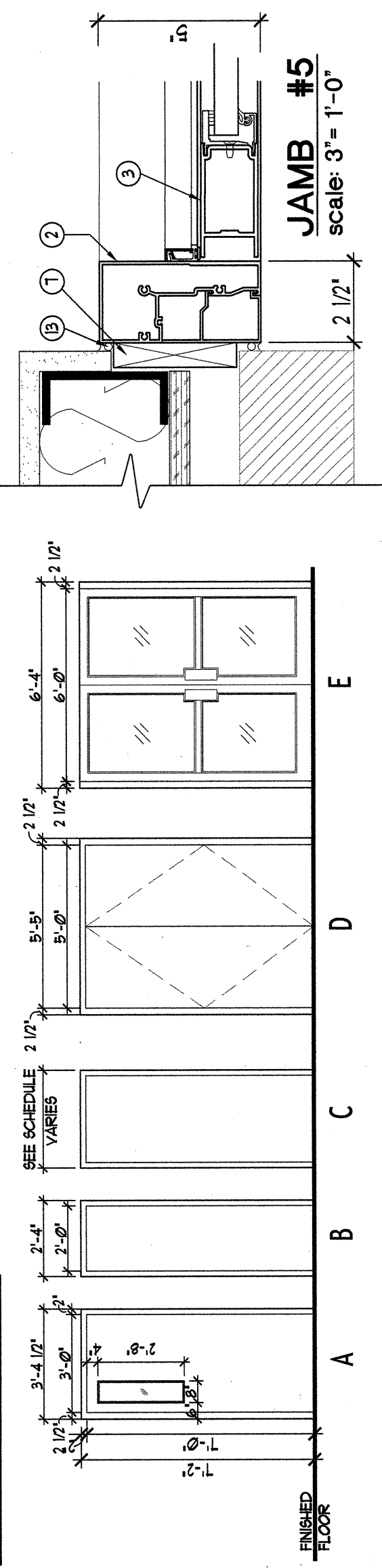
DOOR SCHEDULE

MARK	DOOR SIZE	DOOR DESCRIPTION	FRAME SIZE	FRAME DESCRIPTION	ELEV.	DETAILS	REMARKS
						JAMB HEAD SILL	
(1)	FR 3'-0" X 1'-0"	ALUMINUM STOREFRONT/GLASS	2-1/2" X 5'	ALUMINUM	E	5 5 2	
(2)	3'-0" X 1'-0"	PAINTED HOLLOW METAL W/ VISION PANEL	2-1/2" X 5'	ALUMINUM	A	5 5M 2 5M	9/16" LAMINATED GLAZING & VISION PANEL
(3)	FR 2'-6" X 1'-0"	PAINTED HOLLOW METAL	2-1/2" X 5'	ALUMINUM	D	5 5M 5 5M	
(4)	3'-0" X 1'-0"	SOLID CORE WOOD W/ VISION PANEL	2"	ALUMINUM	A 5M	2 2	FRAME WIDTH AS REQUIRED BY WALL
(5)	3'-0" X 1'-0"	SOLID CORE WOOD	2"	ALUMINUM	C	2 2	FRAME WIDTH AS REQUIRED BY WALL
(6)	2'-6" X 1'-0"	SOLID CORE WOOD	2"	ALUMINUM	C	2 2	FRAME WIDTH AS REQUIRED BY WALL
(7)	2'-0" X 1'-0"	SOLID CORE WOOD	2"	ALUMINUM	B	2 2	FRAME WIDTH AS REQUIRED BY WALL

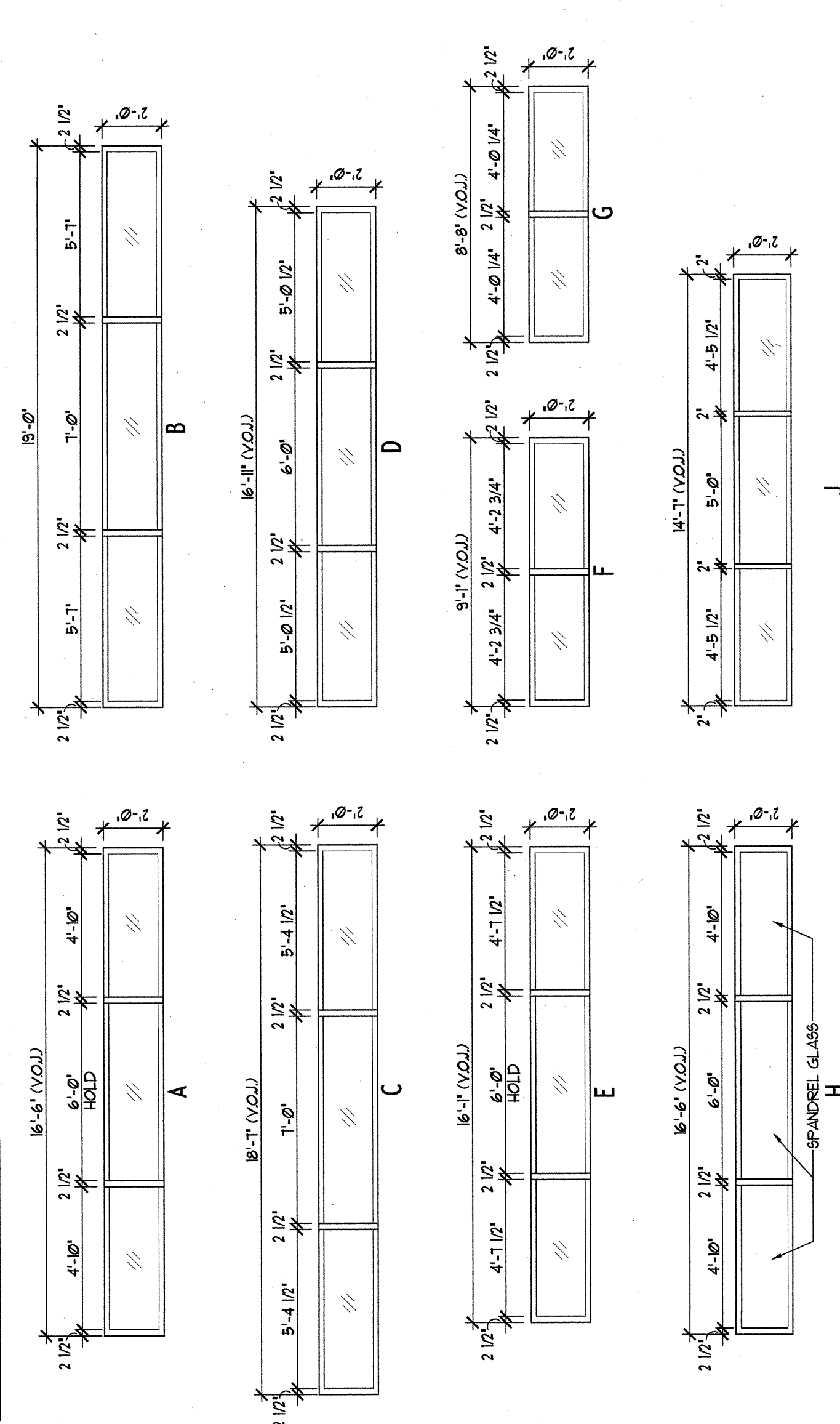
WINDOW SCHEDULE

MARK	WINDOW SIZE	WINDOW DESCRIPTION	FRAME SIZE	GLASS TYPE	ELEV.	DETAILS	REMARKS
						JAMB HEAD SILL	
(A)	15'-6" X 2'-0"	ALUMINUM STOREFRONT/GLASS	2-1/2" X 5'	9/16" IMPACT RESIS.	A	3 3 4	
(B)	15'-0" X 2'-0"	ALUMINUM STOREFRONT/GLASS	2-1/2" X 5'	9/16" IMPACT RESIS.	B	3 3 4	
(C)	15'-1" X 2'-0"	ALUMINUM STOREFRONT/GLASS	2-1/2" X 5'	9/16" IMPACT RESIS.	C	3 3 4	
(D)	16'-11" X 2'-0"	ALUMINUM STOREFRONT/GLASS	2-1/2" X 5'	9/16" IMPACT RESIS.	D	3 3 4	
(E)	16'-1" X 2'-0"	ALUMINUM STOREFRONT/GLASS	2-1/2" X 5'	9/16" IMPACT RESIS.	E	3 3 4	
(F)	9'-1" X 2'-0"	ALUMINUM STOREFRONT/GLASS	2-1/2" X 5'	9/16" IMPACT RESIS.	F	3 3 4	
(G)	8'-8" X 2'-0"	ALUMINUM STOREFRONT/GLASS	2-1/2" X 5'	9/16" IMPACT RESIS.	G	3 3 4	
(H)	16'-6" X 2'-0"	ALUMINUM STOREFRONT/GLASS	2-1/2" X 5'	9/16" IMPACT RESIS.	H	3 3 4	SPANDREL GLASS (BLACK PVC INTERLAYER)
(J)	14'-1" X 2'-0"	ALUMINUM STOREFRONT/GLASS	2-1/2" X 5'	1/4" TEMPERED	J	1 1 3	

DOOR ELEVATIONS



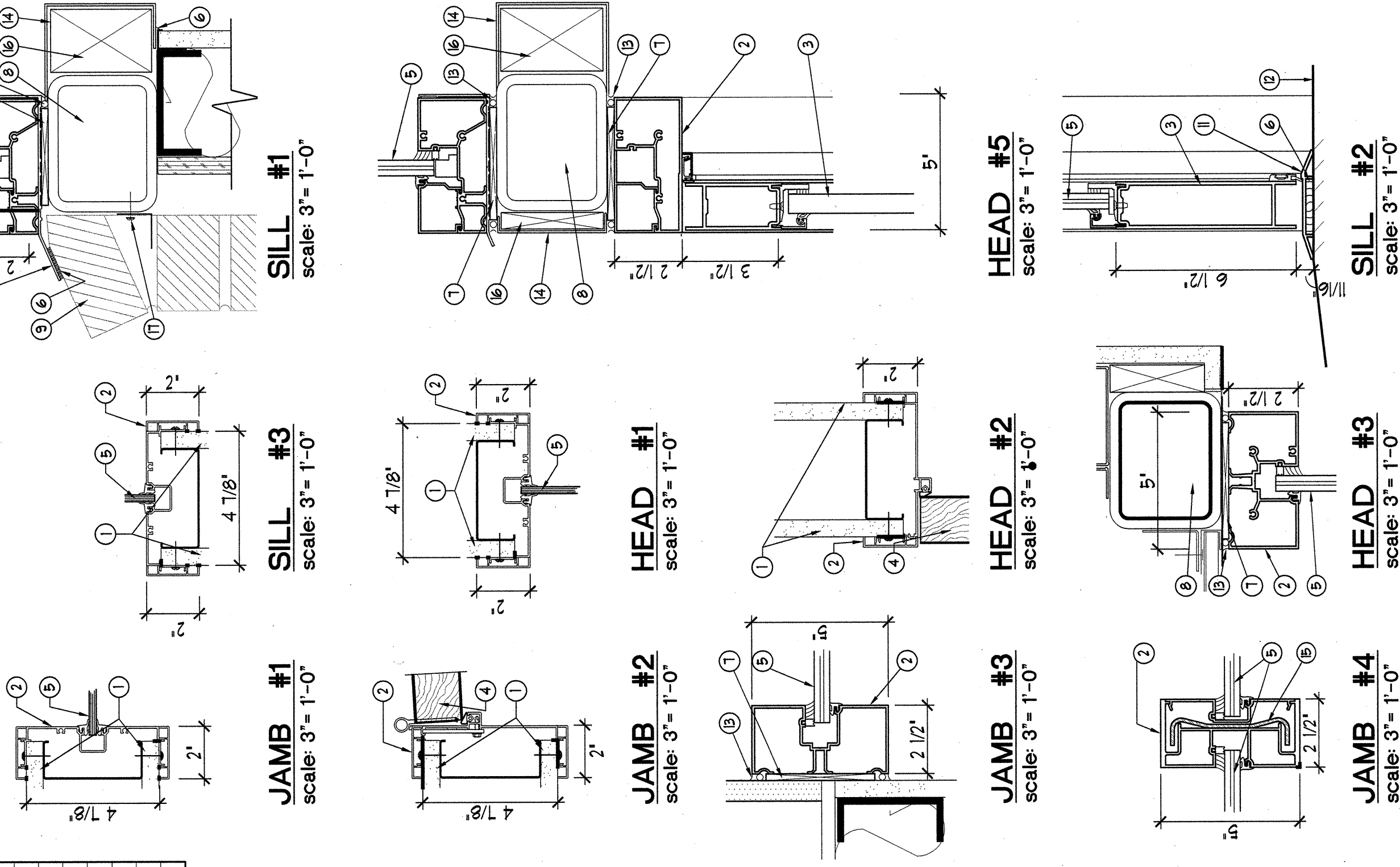
WINDOW ELEVATIONS



KEY NOTES

1. 5/8" PAINTED GYPSUM BOARD
2. ALUMINUM FRAME (SEE SCHEDULE) SECURED TO STRUCTURE.
3. ALUMINUM DOOR
4. SOLID CORE WOOD DOOR (SEE SCHEDULE)
5. GLAZING (SEE SCHEDULE)
6. SEALANT, TYP.
7. TREATED SHIM AS REQUIRED
8. STEEL TUBE. SEE STRUCTURAL
9. BRICK SILL ROULOCK
10. WINDOW SUBSILL WITH DRIP EDGE
11. ALUMINUM THRESHOLD
12. FINISHED FLOOR
13. CAULK CONTINUOUS (BOTH SIDES, TYP.)
14. ALUMINUM BRAKE METAL TRIM (CONTINUOUS)
15. STEEL REINFORCING AS REQUIRED SECURED TO STRUCTURE TOP AND BOTTOM
16. BLOCKING AS REQUIRED SECURED TO STRUCTURE.
17. WALL TIE TO STEEL TUBE.

DOOR/WINDOW DETAILS



BURGDahl & GRAVES
A PROFESSIONAL CORPORATION • PHONE (504) 566-4433
A.I.A. ARCHITECTS



GREYNA LIBRARY REPLACEMENT
FOR
JEFFERSON PARISH
GREYNA, LOUISIANA

102 WILLOW DRIVE

DATE: 9-15-08
DRAWN BY:
REVISIONS:

A-11

SHEET 20 of 45