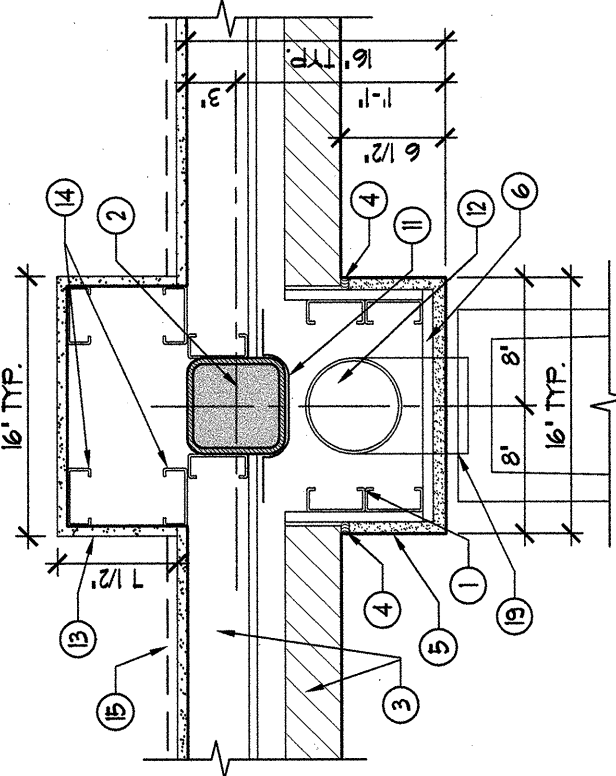




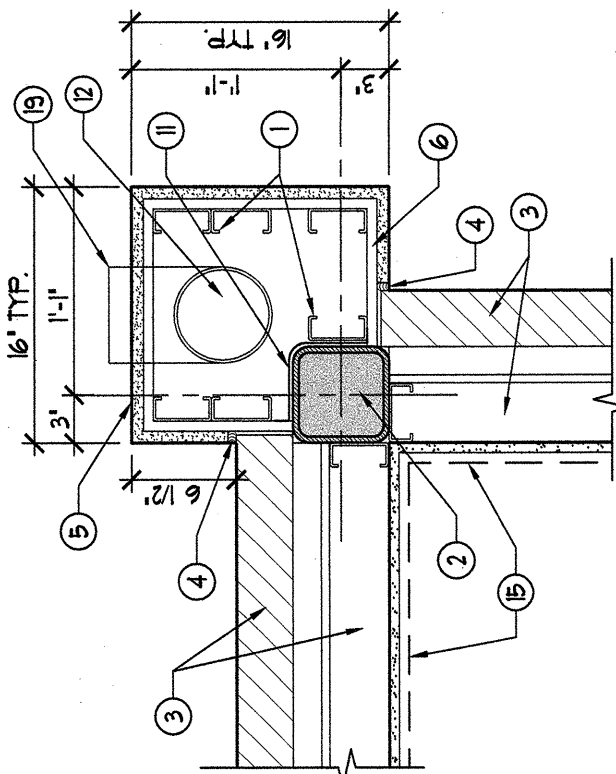
DATE: 9-15-08
 DRAWN BY: MLH
 REVISIONS:

KEY NOTES

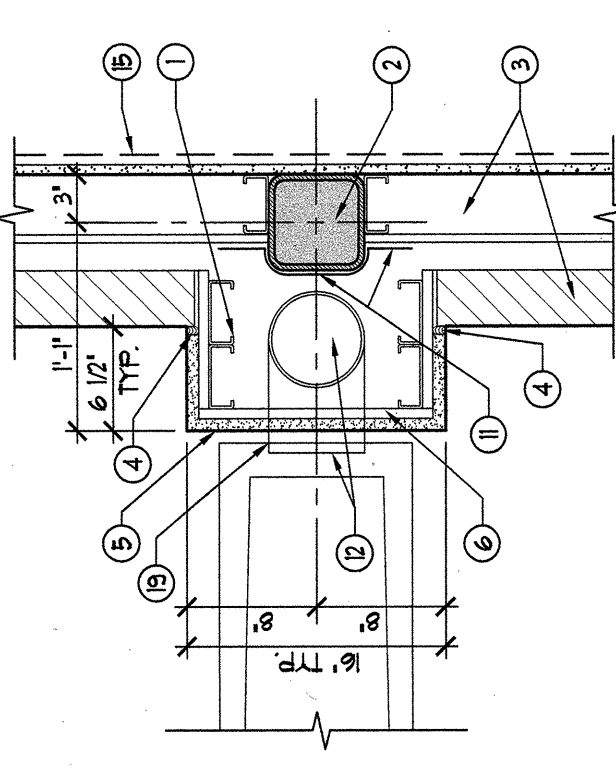
1. 1/2 GAUGE METAL STUDS RAYSET TO SLAB BELOW AND SECURED TO FRAMING ABOVE.
2. COLUMN FER STRUCTURAL.
3. WALL CONSTRUCTION PER SHEET A-8.
4. CONTINUOUS SEALANT.
5. 3/4" THICK PLASTER WITH CORNER AND STOP TRIMS ON METAL LATH.
6. STUCCO WRAP OVER 3/4" CDX PLYWOOD.
7. ALUMINUM FRAME ON TREATED WOOD SHIM, ANCHOR SECURELY TO STRUCTURE.
8. ALUMINUM SUBSILL BEYOND.
9. CONTINUOUS ALUMINUM WALL TRIM AT SILL BELOW.
10. ALUMINUM BRAKE METAL COLUMN COVER (MATCH WINDOW SYSTEM).
11. COAT COLUMN WITH BITUMINOUS WATERPROOFING.
12. STAINLESS STEEL DOWNSPOUT (ALL SEAMS AND JOINTS FULLY SOLDERED). STRAP TO FRAMING AT 3' OC.
13. FTD. 5/8" THICK GYPSUM BOARD.
14. 20 GAUGE METAL STUDS SECURED TO FRAMING ABOVE.
15. CONTINUOUS ALUMINUM WALL TRIM ABOVE.
16. ALIGN STUD WALL TO CENTERLINE OF WINDOW MULLION. COORDINATE AS REQUIRED.
17. CONTINUOUS NEOPRENE CLOSURE (CUT TO FIT).
18. ALUMINUM BRAKE METAL END CAP ON WALL (MATCH WINDOW SYSTEM).
19. EXTEND DOWNSPOUT 3/4" BEYOND FACE OF PLASTER AND TRIM OUT/ SEAL WATERTIGHT.
20. 1/2" SQUARE PLASTER COLUMN. BUILD AS PER DETAIL 1/A-12.
21. TREATED 2X BLOCKING.
22. SLOPING PLASTER TOP CAP AND FASCIA.
23. COAT WALLS AND SLAB WITH 2 COATS OF BITUMINOUS DAMP-PROOFING.
24. 8" CMU WITH ALL CELLS GROUTED SOLID.
25. LINTEL UNIT WITH 1 - #5 BAR CONTINUOUS.
26. 6" DIAMETER DRAIN HOLE IN PLANTER BOTTOM. COORDINATE WITH SLAB FOUR.
27. METAL STUDS AT PLASTER COLUMN ABOVE (SHOWN DASHED). SECURE TO CONCRETE BLOCK BELOW.



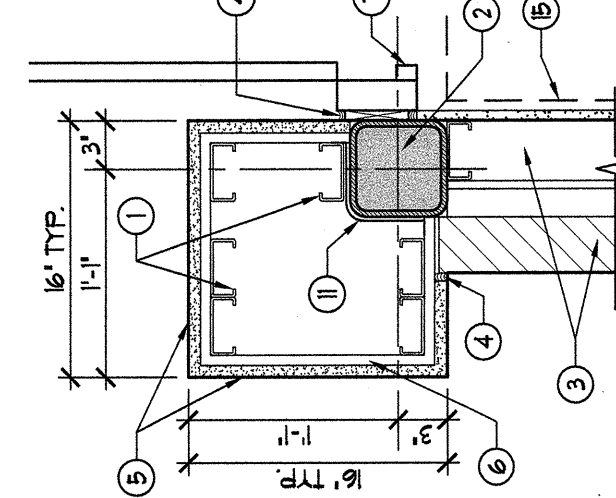
1 PLAN DETAIL
 A-12 SCALE: 1" = 1'-0"



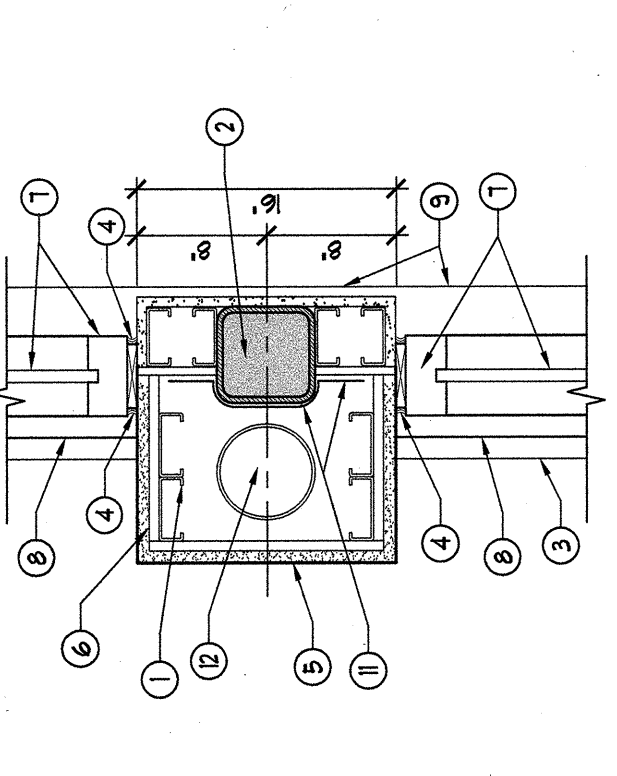
2 PLAN DETAIL
 A-12 SCALE: 1" = 1'-0"



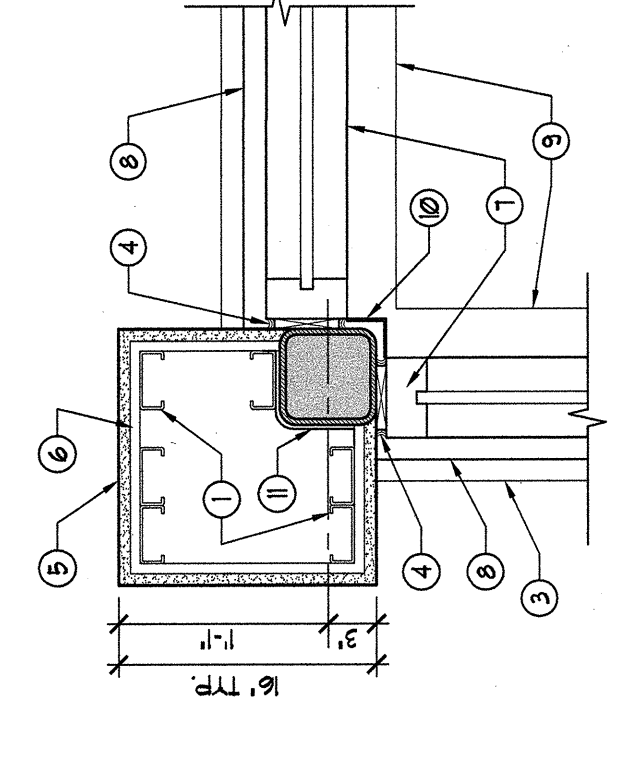
3 PLAN DETAIL
 A-12 SCALE: 1" = 1'-0"



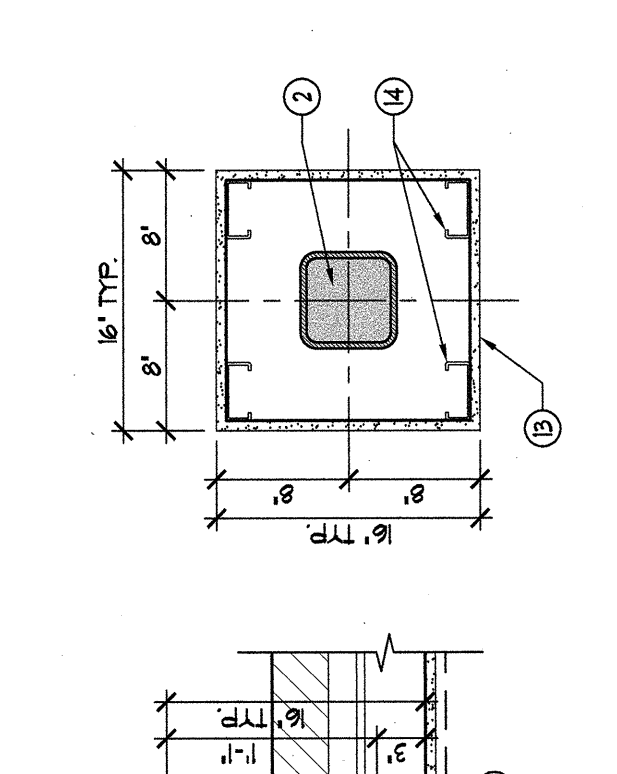
4 PLAN DETAIL
 A-12 SCALE: 1" = 1'-0"



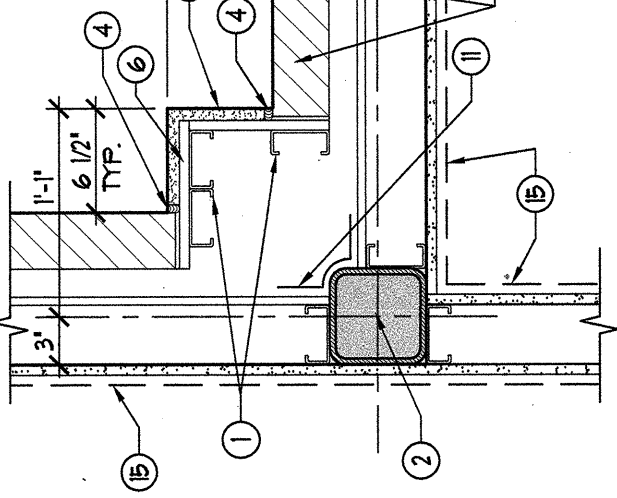
5 PLAN DETAIL
 A-12 SCALE: 1" = 1'-0"



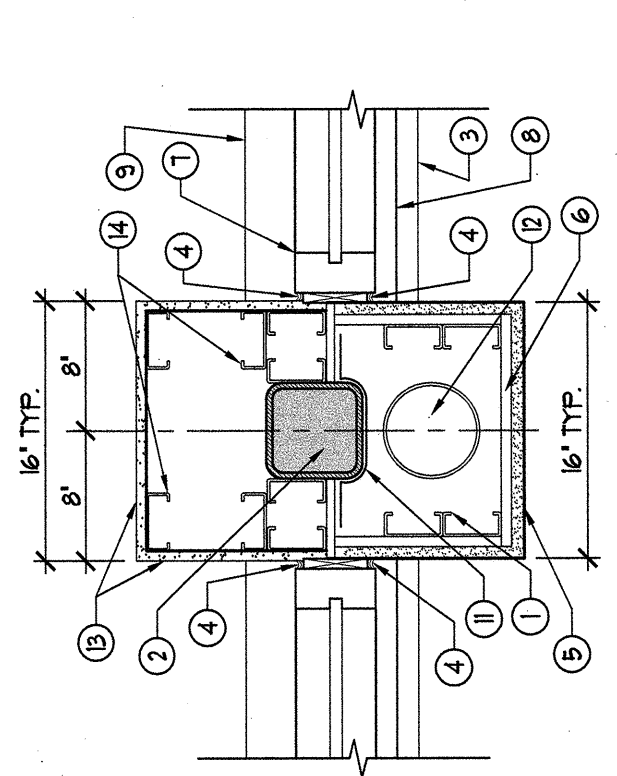
6 PLAN DETAIL
 A-12 SCALE: 1" = 1'-0"



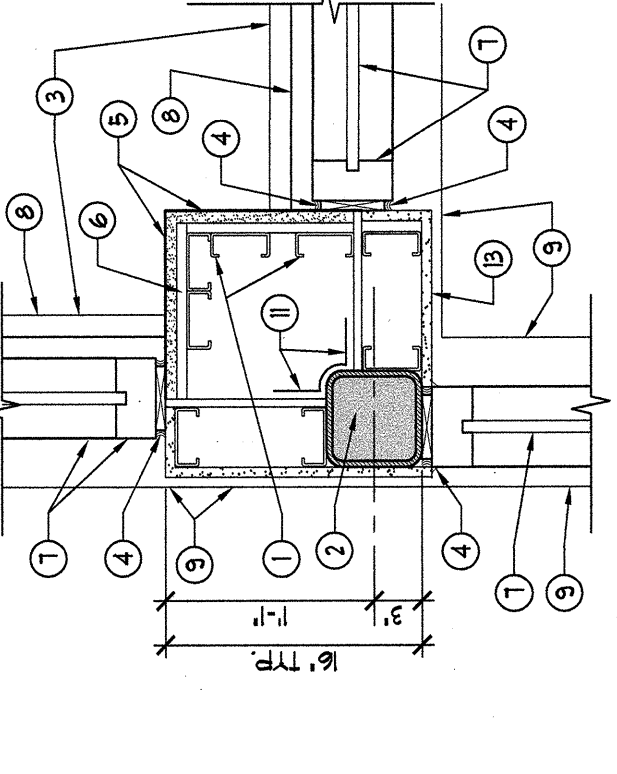
7 PLAN DETAIL
 A-12 SCALE: 1" = 1'-0"



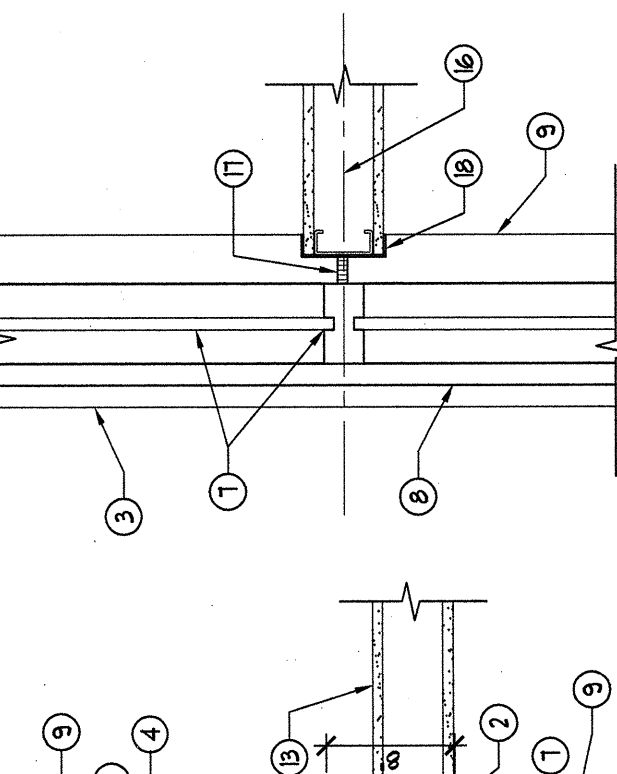
8 PLAN DETAIL
 A-12 SCALE: 1" = 1'-0"



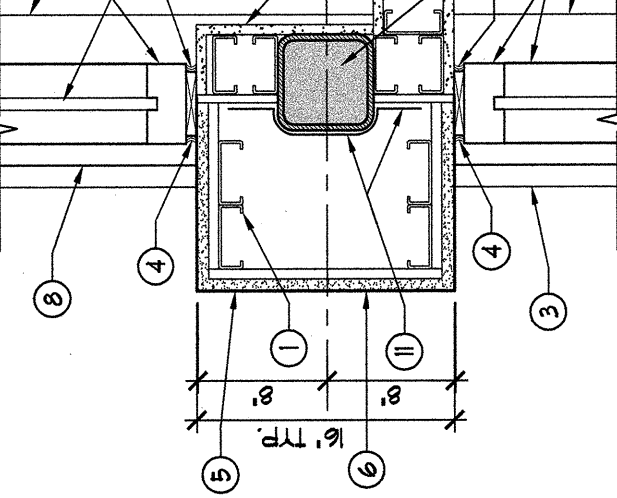
9 PLAN DETAIL
 A-12 SCALE: 1" = 1'-0"



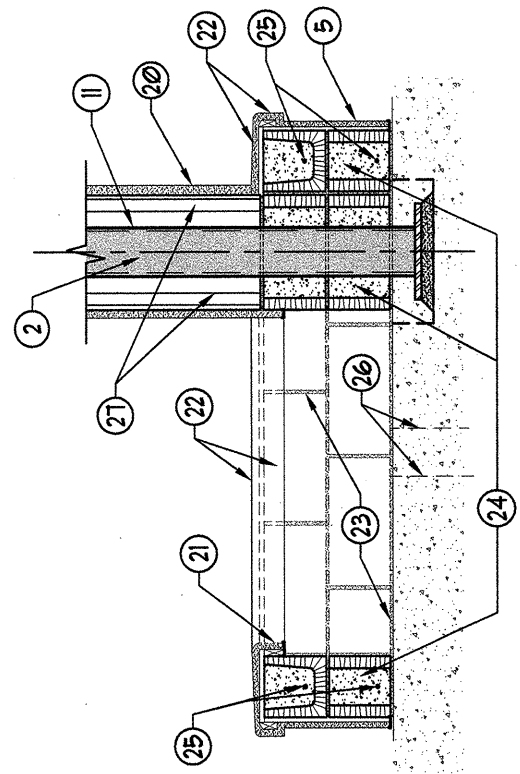
10 PLAN DETAIL
 A-12 SCALE: 1" = 1'-0"



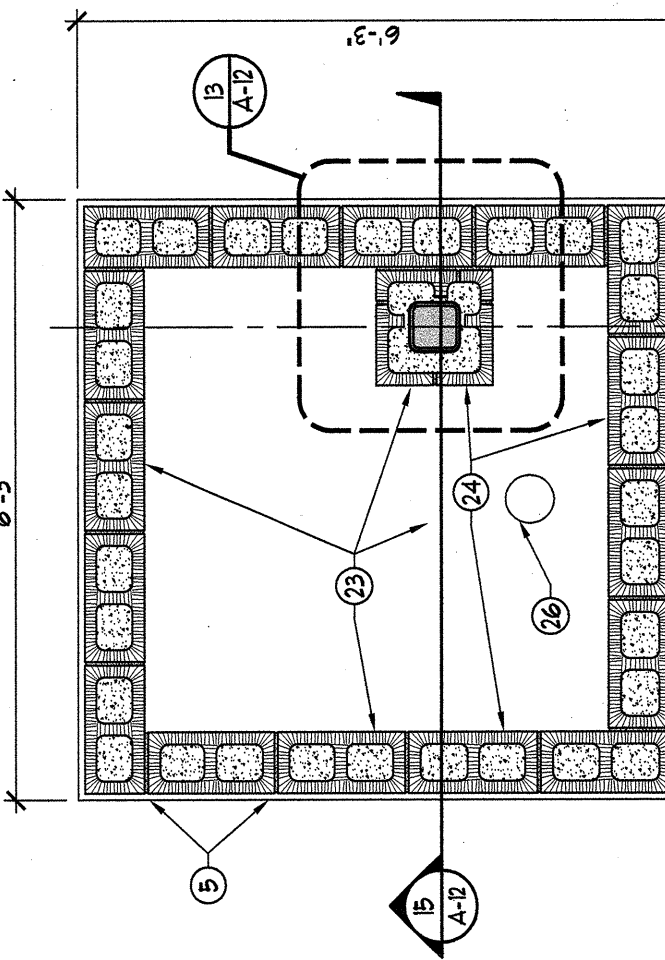
11 PLAN DETAIL
 A-12 SCALE: 1" = 1'-0"



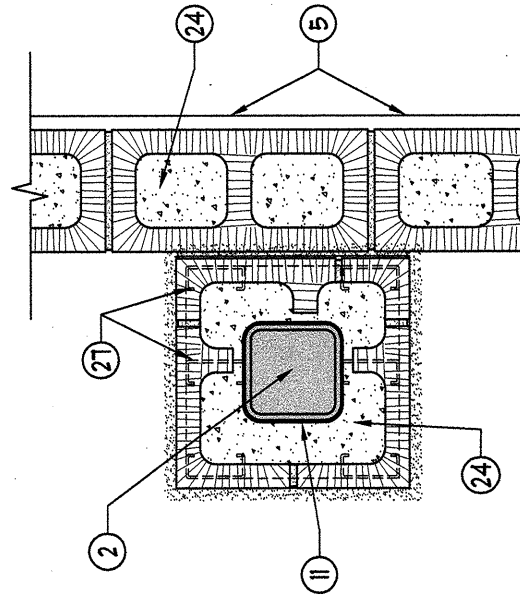
12 PLAN DETAIL
 A-12 SCALE: 1" = 1'-0"



13 PLANTER SECTION
 A-12 SCALE: 1/2" = 1'-0"



14 PLANTER DETAIL
 A-12 SCALE: 1/2" = 1'-0"



15 PLANTER DETAIL
 A-12 SCALE: 1" = 1'-0"